



USER MANUAL

SLIM LED CEILING LIGHT

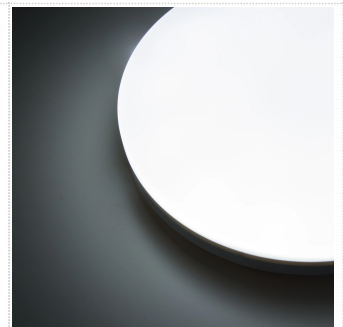
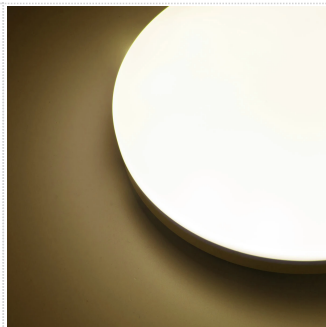
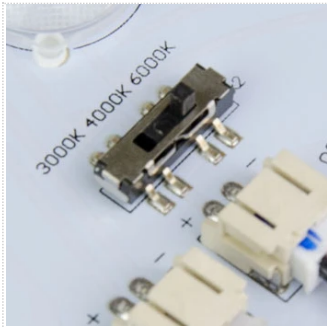
Thank you for your custom. Please read this manual carefully before installation and keep it safe for your reference.

Attention:

1. This lamp must be installed/dismantled by a qualified electrician.
2. The input voltage to the driver inside of the lamp is AC220-240V 50Hz.
3. Ensure the power is switched off before installation/dismantling/maintenance. Check power cable is properly connected before switching the lamp on.
4. Always follow the fire code (NFC/UFC) and allow at least 7.5cm space for ventilation.
5. Do not install the lamp on combustible, plaster board, sloping, or damaged surface.
6. Under no circumstances should the lamp be covered with insulation blankets or any other similar materials.
7. Do not wipe lamp with damp or wet cloth.

Built-In 3 Colours

There are three colours built-in the ceiling light, which enables you to change colours arbitrarily.



How to change the light colour?

Open the cover and adjust the colour temperature from the K2 switch.

3000K
Warm White

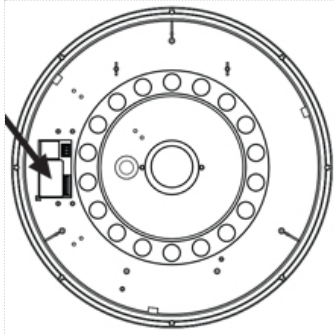
4000K
Neutral White

6000K
Day White

Microwave Motion Sensor

Built-in microwave motion sensor, auto switch, only allows the light to be activated on when the people get closed to it, auto-off after no motion detected, more intelligently.

How to set the sensor?



	1	2	
I	ON	ON	100%
II	ON	-	75%
III	-	ON	50%
IV	-	-	25%

	3	4	5	
I	ON	ON	ON	5S
II	ON	ON	-	30S
III	ON	-	ON	1min
IV	ON	-	-	3min
V	-	ON	ON	5min
VI	-	ON	-	10min
VII	-	-	ON	20min
VII	-	-	-	30min

	6	7	8	
I	ON	ON	ON	2Lux
II	ON	ON	-	10Lux
III	-	ON	-	25Lux
IV	ON	-	-	50Lux
V	-	-	-	Dsiable

Step 1

Open the cover to adjust the microwave setting. By selecting the combination on the DIP switch, sensor data can be precisely set for each specific application.

Detection Area

Detection area can be reduced by selecting the combination on the DIP switches to fit precisely each application.

Hold Time

Refers to the time period the lamp remains at 100% illumination after no motion detected.

Daylight Sensor

The sensor can be set to only allow the lamp to illuminate below a defined ambient brightness threshold.

When set to Disable mode, the daylight sensor will be unavailable and the light will not light up until motion was detected.

50lux, 25lux: twilight operation, 10lux, 2lux: darkness operation only.

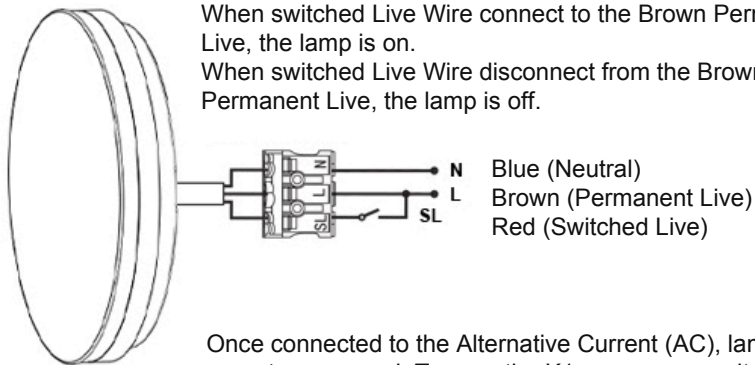
Emergency Setting

UPS Wiring Instruction

Attention:

When switched Live Wire connect to the Brown Permanent Live, the lamp is on.

When switched Live Wire disconnect from the Brown Permanent Live, the lamp is off.



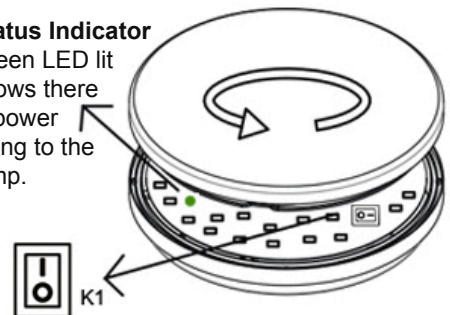
Once connected to the Alternative Current (AC), lamp will operate as normal. Turn on the K1 emergency switch, the battery will start to charge. The charging time is 12 hours, after 12 hours the current will change to trickle charging.

Emergency Function

When the power is off, the UPS emergency battery will be automatically turned on and provide 2.5W extra power for 3 hours.

Status Indicator

Green LED lit shows there is power going to the lamp.



Note: If the indicator light is not on:

1. Make sure the K1 switch is ON.
2. Double check the wiring.

Sensor Override Function

Switch the unit ON and OFF 3 times within 2 seconds to override the sensor. The light will then remain ON and will not go OFF until you manually turn it OFF at the switch.

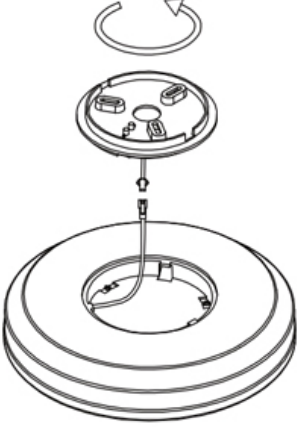
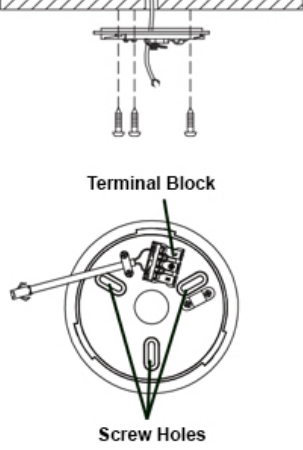
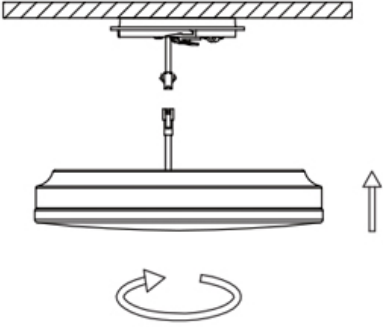
To return to sensor mode, simply turn the light switch OFF and back ON.

Initialisation

When first installed and turned on, the sensor automatically turns the light on at 100% brightness.

After 10 seconds, the light will turn off. During the initialisation, the sensor is not active and will not detect any movement.

Installation

	 <p>Terminal Block</p> <p>Screw Holes</p>	
<p>Step 1</p> <p>Unscrew the installation plate from the lamp and disconnect the wires from the terminal block.</p>	<p>Step 2</p> <p>Connect the utility supply to the terminal block (L for Live wire, N for null wire) on the installation plate. Fix installation plate to ceiling/wall with screws.</p>	<p>Step 3</p> <p>Connect the wires from the lamp to the terminal block and fix the lamp to the installation plate. After the installation, turn the unit on from K1 switch.</p>

Attention:

1. Do not dismantle/unscrew/remove LED board under any circumstances as it will affect the heat dissipation, which will reduce lamp lifespan.
2. If you have any queries, please consult our professional engineers.