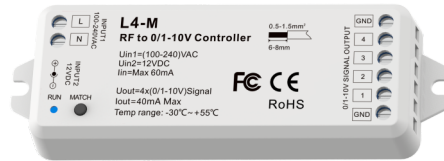


# RF to 4 Channel 0-10V LED Dimmer

Model No.: L4-M

AC or DC input/4 channel 0-10V signal output/Wireless remote control



FC CE RoHS EMC LVD RED

## Features

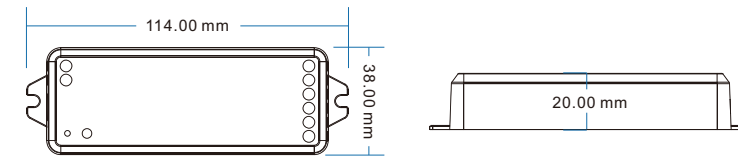
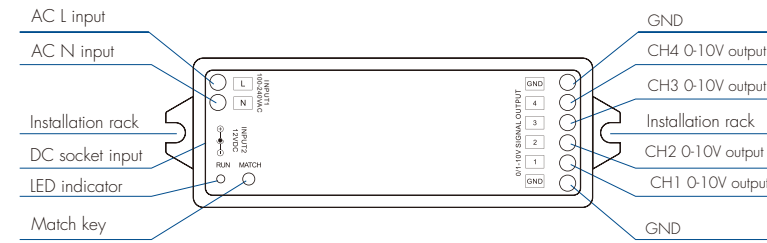
- RF to 4 channel 0-10V converter, powered by AC or DC input.
- Output 4 channel 0-10V signal, connect with 0/1-10V dimmable driver.
- 256 levels 0-100% dimming smoothly without any flash.
- Match with RF 2.4G single color, dual color and RGB/RGBW remote control.
- One RF controller accept up to 10 remote control.
- Auto-transmitting function: Controller automatically transmit signal to another controller with 30m control distance.
- Synchronize on multiple number of controllers.
- Light on/off fade time 3s selectable.

## Technical Parameters

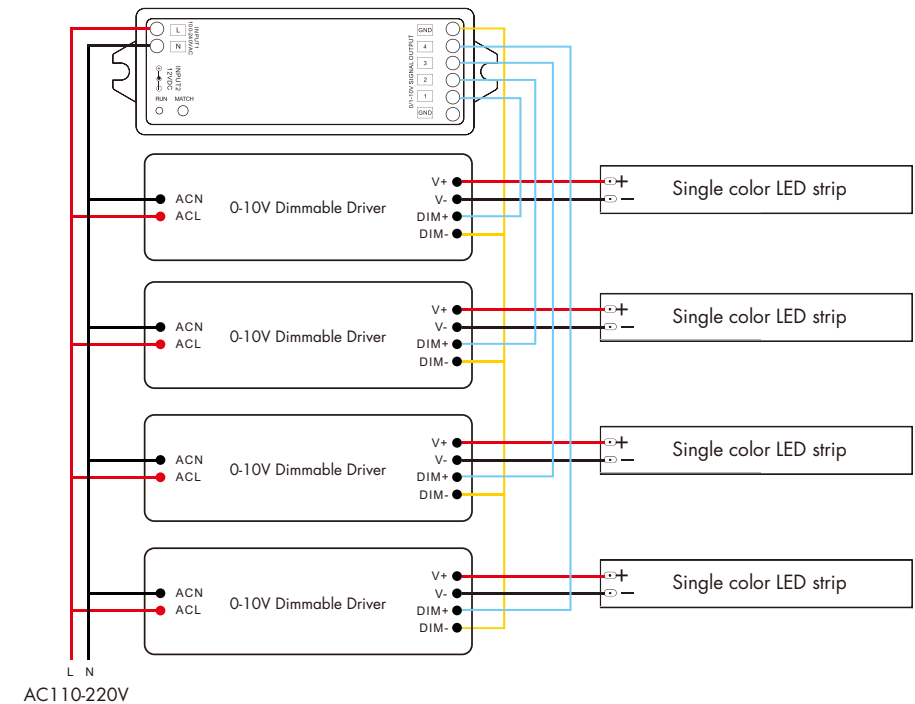
Input and Output	
Input voltage	100-240VAC 12VDC
Output signal	4 x (0-10)VDC
Output current	4CH, 10mA/CH
Safety and EMC	
EMC standard (EMC)	ETSI EN 301 489-1 V2.2.3 ETSI EN 301 489-17 V3.2.4
Safety standard(LVD)	EN 62368-1:2020+A11:2020
Radio Equipment(RED)	ETSI EN 300 328 V2.2.2
Certification	CE,EMC,LVD,RED
Warranty and Protection	
Warranty	5 years

Dimming data	
Input signal	RF 2.4GHz
Control distance	30m(Barrier-free space)
Dimming range	0-100%
Dimming curve	Linear
Environment	
Operation temperature	Ta: -30°C ~ +55°C
Case temperature (Max.)	Tc: +65°C
IP rating	IP20
Weight	
Net weight	0.560kg
Gross weight	0.068kg

## Mechanical Structures and Installations



## Wiring Diagram



Note:

1. User can connect AC100-240V power or DC12V power adapter as power input.
2. We recommend the number of LED drivers connected to 0/1-10V dimmer (each channel) does not exceed 20 pieces, The maximum length of the wires from dimmer to LED driver should be no more than 30 meters.

## Match Remote Control (two match ways)

End user can choose the suitable match/delete ways. Two options are offered for selection:

### Use the controller's Match key

Match:

Short press match key, immediately press on/off key (single zone remote) or zone key (multiple zone remote) of the remote.

Delete:

Press and hold match key for 5s to delete all match, The light blinks 5 times means all matched remotes were deleted.

### Use Power Restart

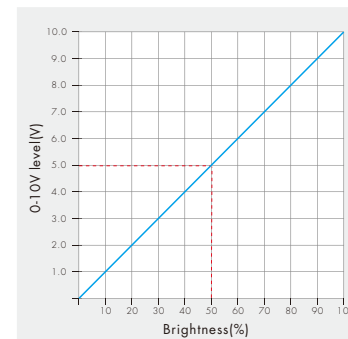
Match:

Switch off the power, then switch on power, repeat again. Immediately short press on/off key (single zone remote) or zone key (multiple zone remote) 3 times on the remote. The light blinks 3 times means match is successful.

Delete:

Switch off the power, then switch on power, repeat again. Immediately short press on/off key (single zone remote) or zone key (multiple zone remote) 5 times on the remote. The light blinks 5 times means all matched remotes were deleted.

## Dimming curve

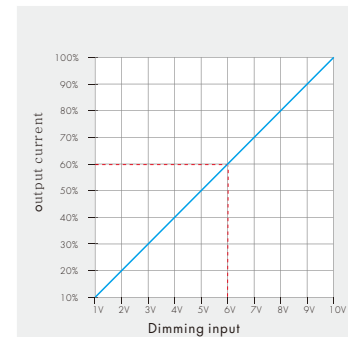


Note:

When the output channel is off, the output dimming signal is 0V.

Please read the dimming section of the 0/1-10V dimming driver manual.

If the dimming characteristic curve is the same as below, it will not be able to turn off the lights, you need select other models of 1-10V dimmer which have AC OUT function.



## Light on/off fade time

Long press match key 5s, then short press match key 3 times, the light on/off time will be set to 3s, the indicator light blink 3 times.

Long press match key 10s, restore factory default parameter, the light on/off time also restore to 0.5s.

## Available remote controller



RS6  
4 Channel Dimming



RT1  
1 Zone Dimming



RT6  
4 Zone Dimming

### If you use one receiver, you have two choices:

Option 1: Match with RS6 4 channel dimming remote, 4 channel 0-10V signal can be controlled independently.

Option 2: Match with RT1 one zone dimming remote, 4 channel 0-10V signal can be controlled synchronously.

### If you use multiple receivers, you have two choices:

Option 2: Match with RT1 one zone dimming remote, multiple receivers can be controlled synchronously, and 4 channel 0-10V signal of each receiver are same.

Option 2: Match with RT6 four zone dimming remote, each receiver(one or more) in a different zone.