

Moonlight Series - Adjustable Microwave

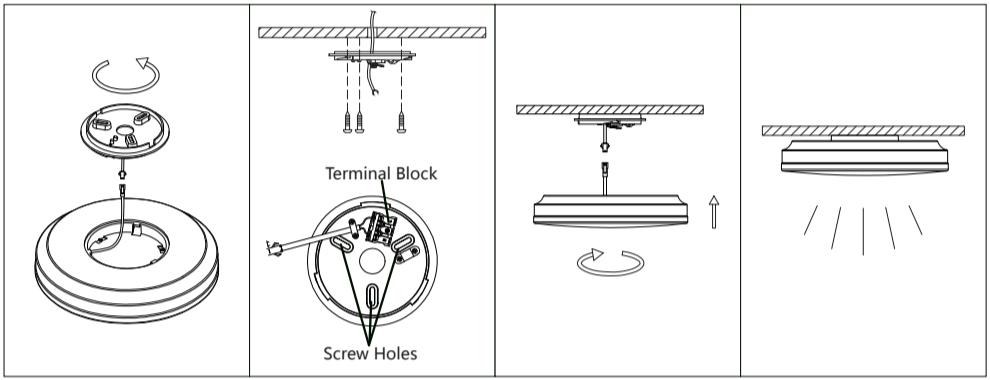
Thank you for your custom. Please read this manual carefully before installation and keep it safe for your reference.

Attention:

1. This lamp must be installed/dismantled by a qualified electrician.
2. The input voltage to the driver inside of the lamp is AC200-240V 50Hz.
3. Ensure the power is switched off before installation/dismantling/maintenance.
Check power cable is properly connected before switching the lamp on.
4. Always follow the fire code (NFC/UFC) and allow at least 7.5cm space for ventilation.
5. Do not install the lamp on combustible, plaster board, sloping, or damaged surface.
6. Under no circumstances should the lamp be covered with insulation blankets or any other similar materials.
7. Do not wipe lamp with damp or wet cloth.

Installation Instruction:

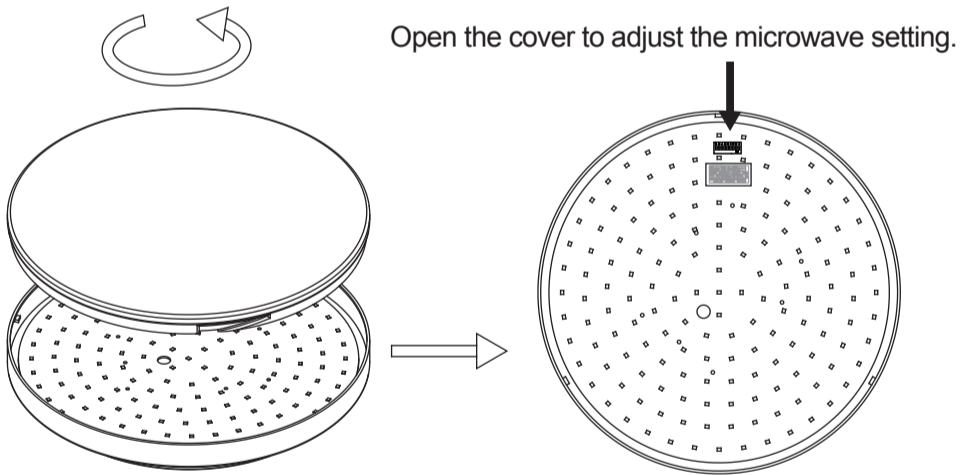
1. Unscrew the installation plate from the lamp and disconnect the wires from the terminal block.
2. Connect the utility supply to the terminal block (L for Live wire, N for null wire) on the installation plate. Fix installation plate to ceiling/wall with screws.
3. Connect the wires from the lamp to the terminal block and fix the lamp to the installation plate.



Special Attention:

1. Do not dismantle/unscrew/remove LED board under any circumstances as it will affect the heat dissipation, which will reduce lamp lifespan.
2. If you have any queries, please consult our professional engineers.

Microwave Motion Sensor



Setting

By selecting the combination on the DIP switch, sensor data can be precisely set for each specific application.

	1	2	3	
ON	ON	ON	ON	100%
	-	ON	ON	75%
	ON	-	ON	50%
	-	-	ON	25%
	-	-	-	10%

Detection Area

Detection area can be reduced by selecting the combination on the DIP switches to fit precisely each application.

	4	5	6	
ON	ON	ON	ON	5 S
	-	ON	ON	30S
	ON	-	ON	90S
	-	-	ON	3min
	ON	ON	-	20min
	-	-	-	30min

Hold Time

Refers to the time period the lamp remains at 100% illumination after no motion detected.

	7	8	9	
ON	ON	ON	ON	Disable
	ON	ON	-	50LUX
	ON	-	ON	30LUX
	-	ON	ON	10LUX
	-	-	-	5LUX

Daylight Sensor

The sensor can be set to only allow the lamp to illuminate below a defined ambient brightness threshold.

When set to Disable mode, the daylight sensor will be unavailable and the light will not light up until motion was detected.
50lux, 30lux: twilight operation, 10lux, 5lux: darkness operation only.