



USER MANUAL

Moonlight Series

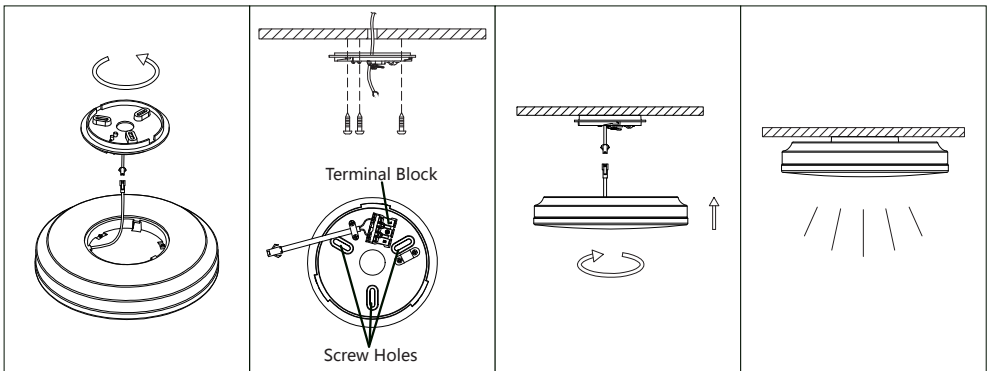
Thank you for your custom. Please read this manual carefully before installation and keep it safe for your reference.

Attention:

1. This lamp must be installed/dismantled by a qualified electrician.
2. The input voltage to the driver inside of the lamp is AC200-240V 50Hz.
3. Ensure the power is switched off before installation/dismantling/maintenance.
Check power cable is properly connected before switching the lamp on.
4. Always follow the fire code (NFC/UFC) and allow at least 7.5cm space for ventilation.
5. Do not install the lamp on combustible, plaster board, sloping, or damaged surface.
6. Under no circumstances should the lamp be covered with insulation blankets or any other similar materials.
7. Do not wipe lamp with damp or wet cloth.

Installation Instruction:

1. Unscrew the installation plate from the lamp and disconnect the wires from the terminal block.
2. Connect the utility supply to the terminal block (L for Live wire, N for null wire) on the installation plate. Fix installation plate to ceiling/wall with screws.
3. Connect the wires from the lamp to the terminal block and fix the lamp to the installation plate.



Special Attention:

1. Do not dismantle/unscrew/remove LED board under any circumstances as it will affect the heat dissipation, which will reduce lamp lifespan.
2. If you have any queries, please consult our professional engineers.