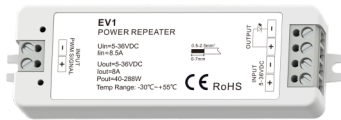


1 Channel Constant Voltage Power Repeater

Model No.: EV1

1 Channel/PWM signal input/Constant voltage output/3KV optoelectronic isolation



Features

- 5-36V constant voltage power repeater.
- one channel, 8A.
- To receive PWM signal control.
- Power repeater in series or in parallel to expand output unlimitedly.
- Apply to single color constant voltage LED strip or module.

Technical Parameters

Input and Output

Input voltage	5-36VDC
Input current	8.5A
Input signal	PWM
Output voltage	5-36VDC
Output current	8A
Output power	40-288W
Output type	Constant voltage

Environment

Operation temperature	Ta: -30°C ~ +55°C
Case temperature (Max.)	Tc: +85°C
IP rating	IP20

Safety and EMC

EMC standard (EMC)	ETSI EN 301 489-1 V2.2.3 ETSI EN 301 489-17 V3.2.4
Safety standard(LVD)	EN 62368-1:2020+A11:2020
Certification	CE,EMC,LVD

Warranty and Protection

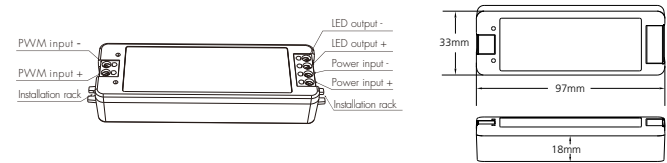
Warranty	5 years
Protection	Reverse Polarity

Weight

Net weight	0.042kg
Gross weight	0.053kg

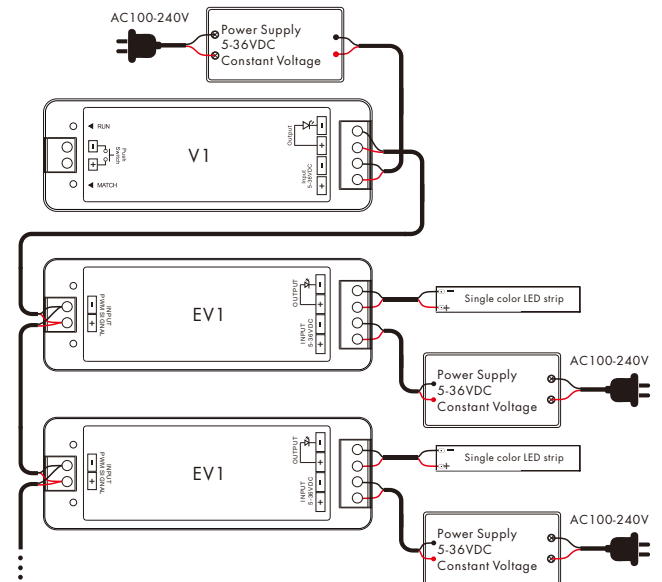
CE RoHS LVD

Mechanical Structures and Installations

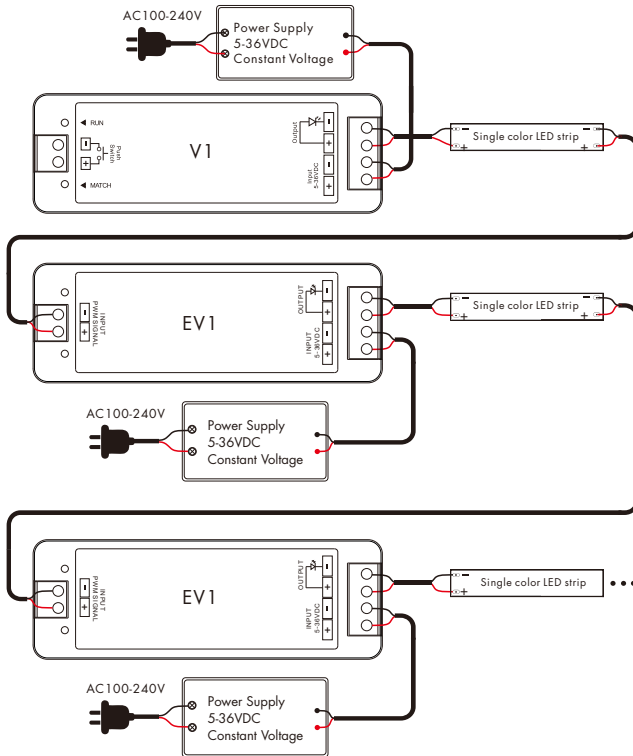


Wiring Diagram

- Parallel connection



• Series connection



Malfunions analysis & troubleshooting

Malfunions	Causes	Troubleshooting
No light	<ol style="list-style-type: none"> 1. No power. 2. Wrong connection or insecure. 	<ol style="list-style-type: none"> 1. Check the power. 2. Check the connection.
Uneven intensity between front and rear,with voltage drop	<ol style="list-style-type: none"> 1. Output cable is too long. 2. Wire diameter is too small. 3. Overload beyond power supply capability. 4. Overload beyond controller capability. 	<ol style="list-style-type: none"> 1. Reduce cable or loop supply. 2. Change wider wire. 3. Replace higher power supply. 4. Add power repeater.

Safety & Warnings

1. The product shall be installed and serviced by a qualified person.
2. This product is non-waterproof. Please avoid the sun and rain.
3. Good heat dissipation will prolong the working life of the controller,Please ensure good ventilation.
4. Please check if the output voltage of any power supplies used comply with the working voltage of the product.
5. Ensure all wire connections and polarities are correct and secure before applying power to avoid any damages to the LED lights.
6. If a fault occurs please return the product to your supplier. Do not attempt to fix this product by yourself.