



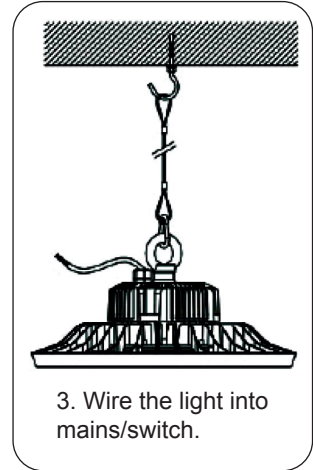
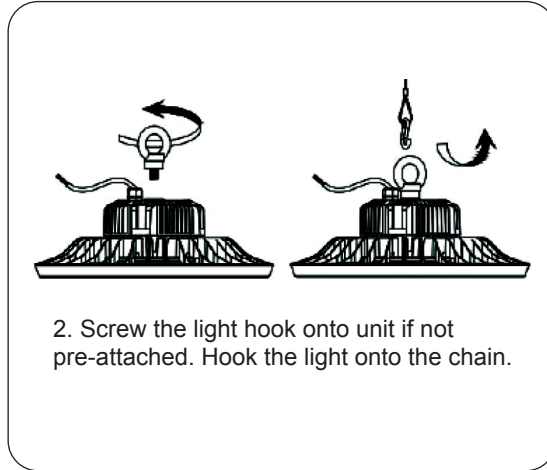
LED UFO High Bay Light Installation - 3CCT Model

To avoid the risk of fire, explosion, or electric shock, this product should be installed, inspected, and maintained by a qualified electrician only, in accordance with all applicable electrical codes.

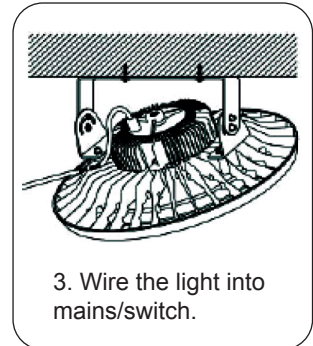
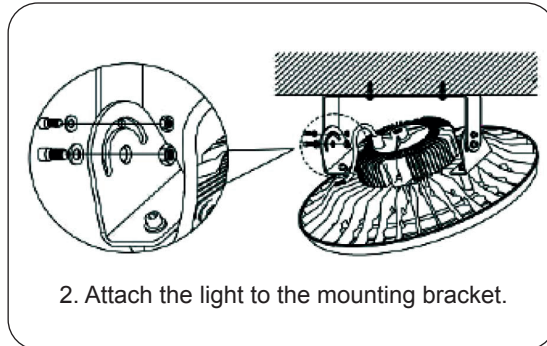
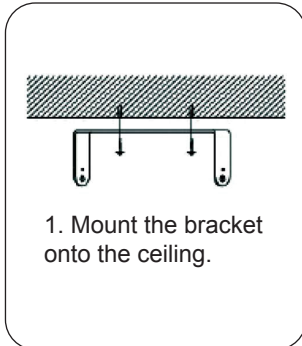
Safety Instructions

- Be certain electrical power is OFF before and during installation and maintenance.
- Make sure the supply voltage is the same as the rated luminaire voltage.
- Changes of the design and modifications to the LED luminaire are not permitted.
- Observe the national electrical safety rules and regulations during installation.

Option 1: Hook Mounted (Ceiling hook and chain are not included)



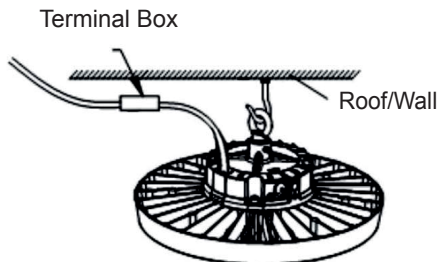
Option 2: Ceiling Mounted



Wiring

AC Input

- Live (Brown)
- Neutral (Blue)
- Earth Wire (Green/Yellow)



3CCT Model



CCT Setting

Simply select the required light output using the CCT switch.

IP65

UK
CA

CE



MADE IN CHINA

G.W.S. LED, 53 Summer Lane, B19 3TH