



LED Diamond Lattice Panel Light

Important Information:

These instructions contain safety information, read and follow them carefully. We will not accept any responsibility for injury, damage or loss which may occur due to incorrect installation, operation or maintenance.

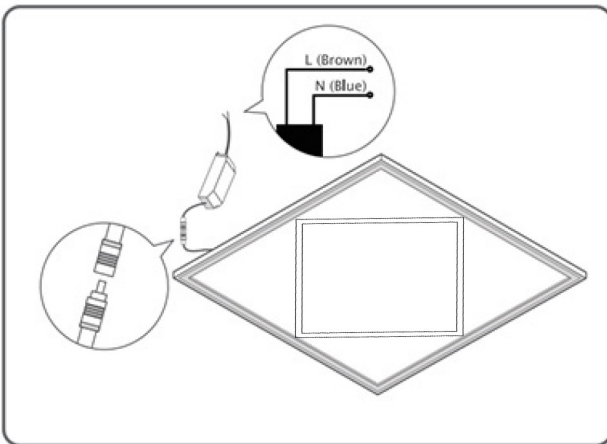
Warning:

To avoid the risk of fire, explosion, or electric shock, this product should be installed, inspected, and maintained by a qualified electrician only, in accordance with all applicable electrical codes.

Safety Instructions:

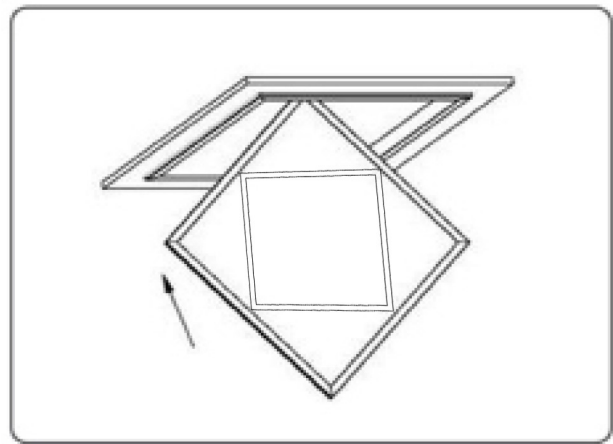
- Be certain electrical power is OFF before and during installation and maintenance.
- Make sure the supply voltage is the same as the rated luminaire voltage.
- Changes of the design and modifications to the LED luminaire are not permitted.
- Observe the national electrical safety rules and regulations during installation.

Recessed/Built-in



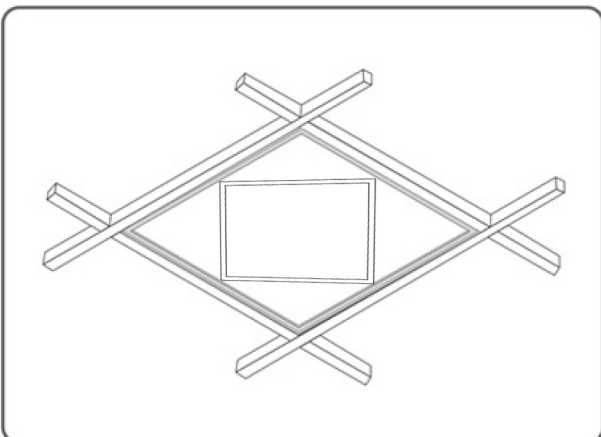
Step 1

Connect the wires from mains to the LED driver.



Step 2

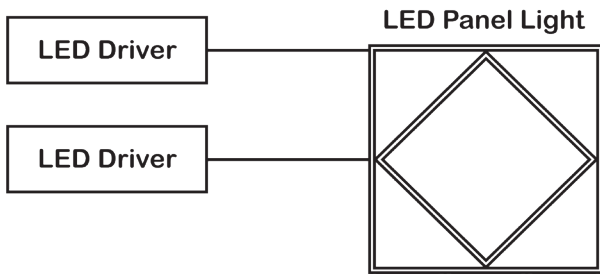
Turn 45 degrees around and put panel into ceiling.



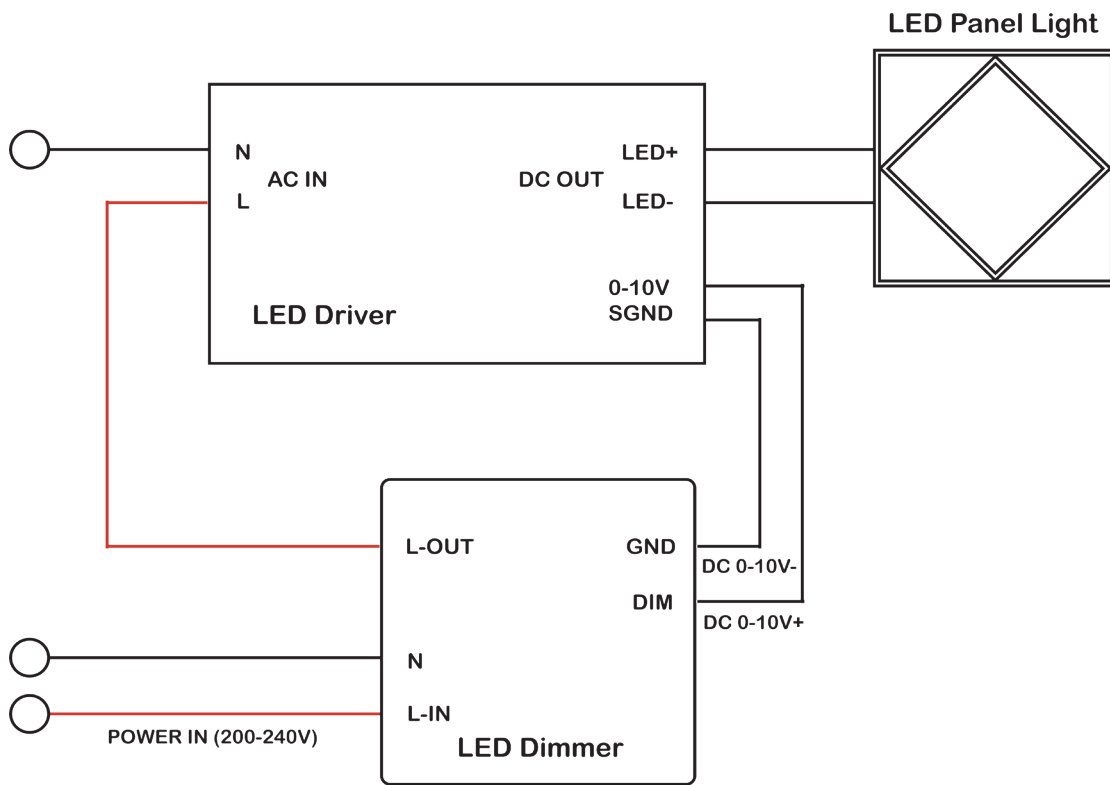
Step 3

Put led panel light down and fill the space.

Standard/Triac Dimming Diagram



0-10V Dimming Wiring Diagram



Note: To dim the LED Panel, 0-10V Dimmer (NOT INCLUDED) is required.