



# Vintage Crystal Glass Stone Chandelier Pendant Lighting

## Product Instruction Manual

Rated Voltage: 220V~250V

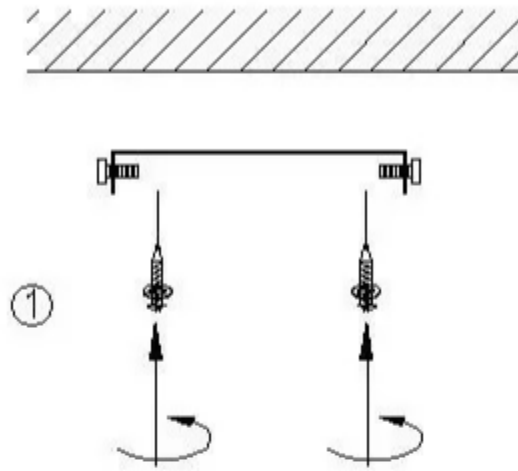
Light Source: 1 x E27



### Notice

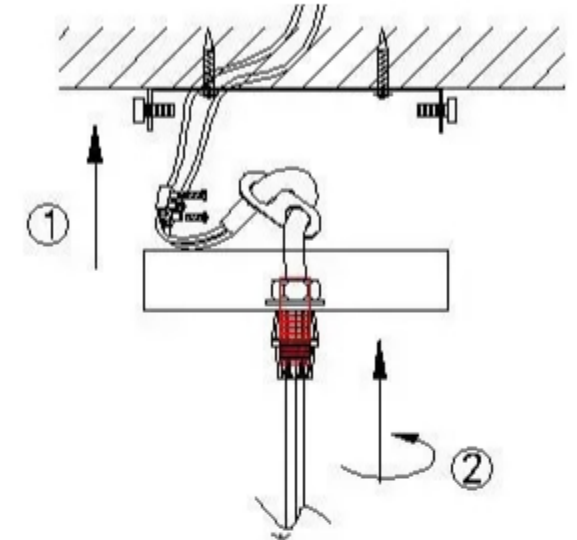
1. Rated voltage 220V~250V, 50 Hz, light source power  $\leq 40W$ .
2. For safety, this lamp must be installed by a professional electrician.
3. When installing, be careful not to scratch the surface of the lamp and wires - wearing gloves is recommended.
4. The red wire of the lamp should be connected to the live wire, the variegated wire to the neutral wire, and the wire marked with "PE" to the earth wire.
5. Do not install on any ceiling surface that is damp. The environment should be dry and ventilated.
6. The lamp should never be in proximity to acid, alkali containing corrosive chemical substances, or gases. Do not wash with water, only wipe with a clean soft cloth.
7. Before installing, cleaning or replacing the bulbs, ensure that the power is turned off.

### Step One:



- ① Put the plain washers on the self-tapping screws. Then pass the the self-tapping screws through the hanging plate holes, before fastening them in a clockwise direction (as shown in picture).

### Step Two:



- ① Connect the input line and make sure that insulation protection is in place (as shown in picture).
- ② Next, fix the lamp body with hanging plate screws (as shown in picture).

### Step Three:



- ① Put the lamp holder into the lampshade and tighten it with the outer ring of the lamp holder

### Step Four:



- ① Install the light source.