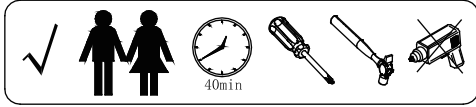
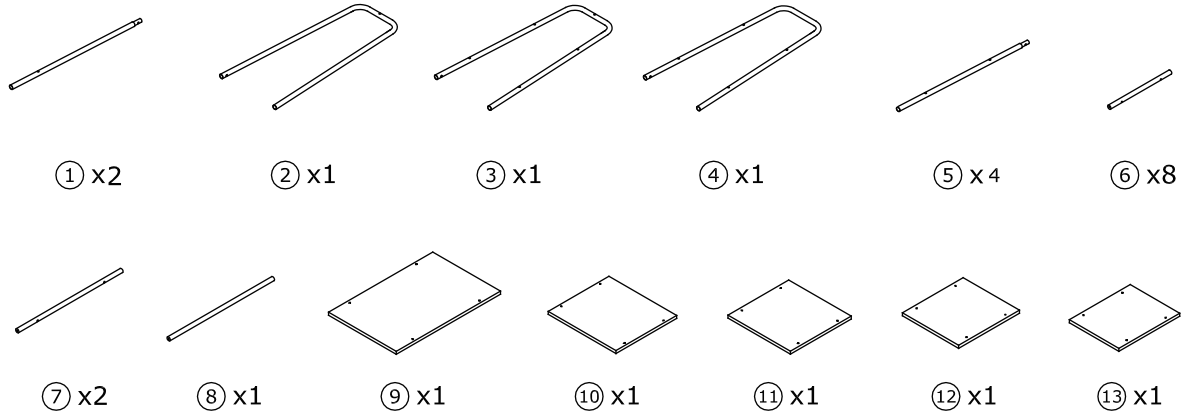


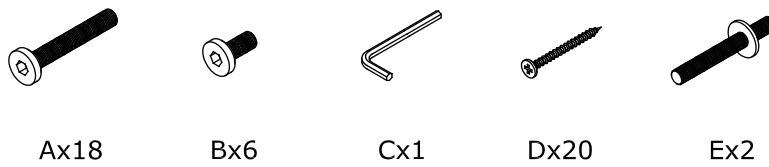
Assembly Instructions



Components



Hardware



Step1

