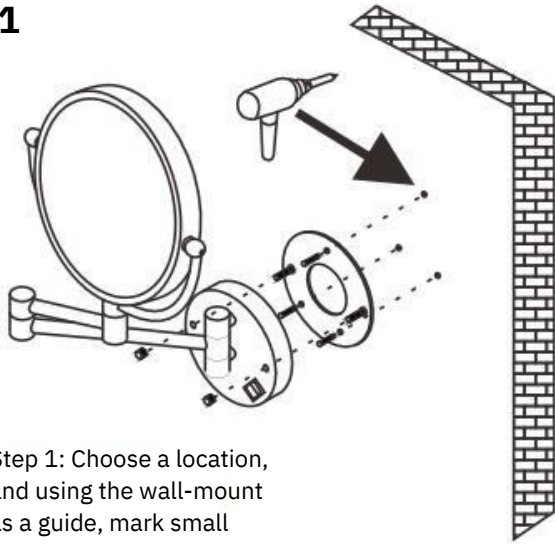




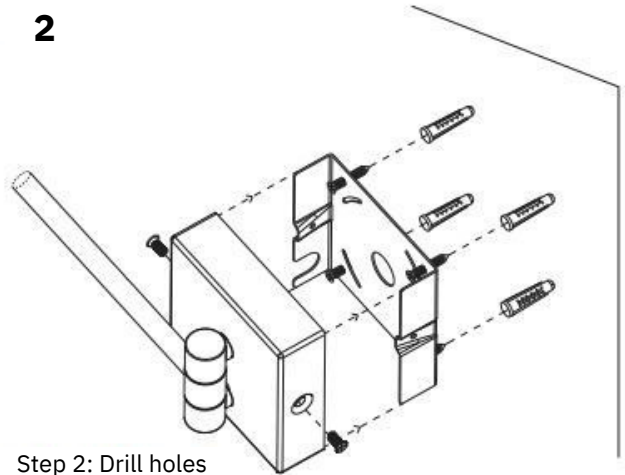
LED Makeup & Bathroom Mirror Installation Instructions

1



Step 1: Choose a location, and using the wall-mount as a guide, mark small holes on the wall.

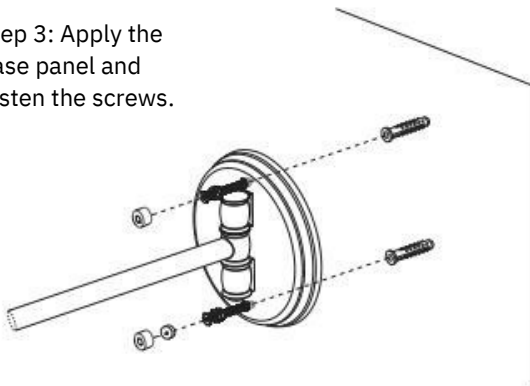
2



Step 2: Drill holes into the wall with a drill and insert expansion anchors.

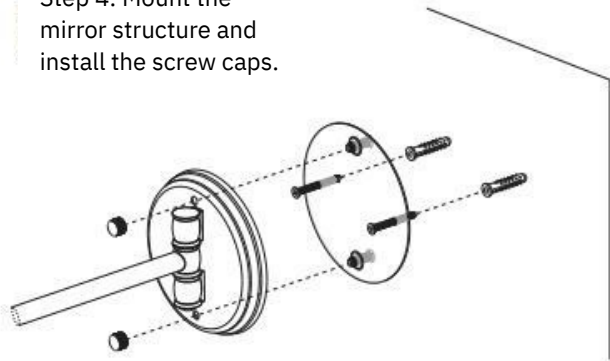
3

Step 3: Apply the base panel and fasten the screws.



4

Step 4: Mount the mirror structure and install the screw caps.



Installation Notes

Package Includes: 1 x Wall-Mounted Mirror; 1 x pack of fixing screws and required fittings.

Preparation Tools: pencil, electric hammer-drill, screwdriver, spirit level, tape measure, hammer.

1. Measure the distance between the two hooks with a tape measure.
2. Use a pencil to draw parallel lines on the wall. The point of intersection is the punch point.
3. Drill holes at the intersection with an electric drill.
4. Use a hammer to drive the expansion anchors into the hole.
5. Apply the base panel and fasten the screws.
6. Mount the mirror structure and install screw caps.