

PRODUCT DATA SHEET

BIA-NXTPRO • 808035



PRODUCT DETAILS

The nXt series of pump controls represents the next step in pressurised pump control.

Designed and tested in Australia to ensure operation in the toughest of environments, combining innovative technology with robust proven architecture to guarantee constant supply of pressurised water when and where you need it the most.

APPLICATIONS

- Household water supply
- Irrigation
- Water transfer
- Washing systems
- Pressure boosting

FEATURES

- Digital display gives you a real time indication of system pressure
- Anti-cycle Protection
- Dry run protection with auto restart function that tests for water availability every 24hrs
- Anti-seize function if pump has not operated for last 24 hours
- Controller automatically restarts pump after a power failure
- Easy assembly and removal using push-n-connect fitting with U clip
- Complies to AS/NZ 4020 drinking water standard
- Over pressure protection turns pump off when 10 bar is reached
- Overload protection

Two operational modes:

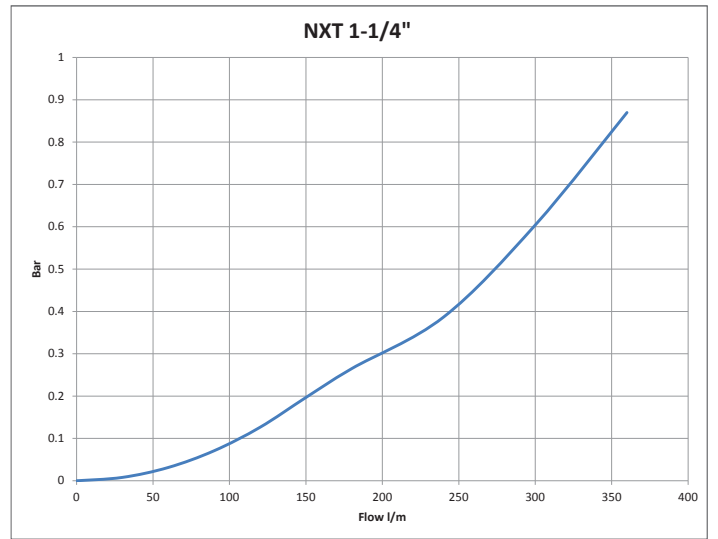
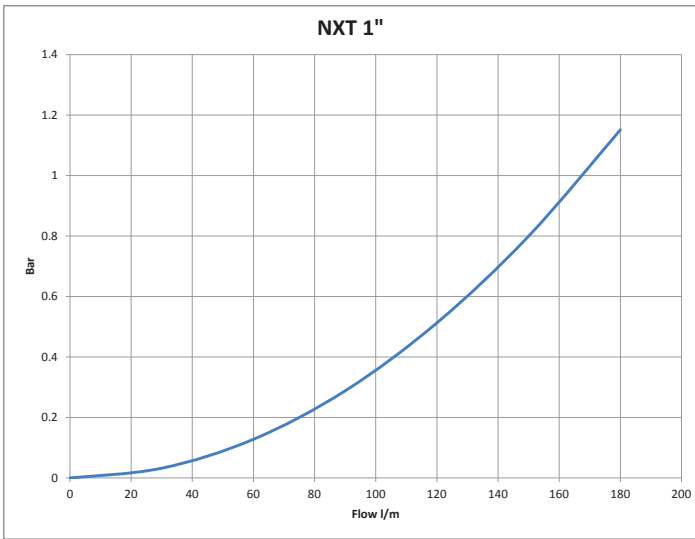
- **Mode One** - Adjustable cut in pressure setting. Controller stops pump when flow drops.
- **Mode Two** - Adjustable cut in and cut out pressure. Shut down governed by pressure. Requires pressure tank.

TECHNICAL DATA

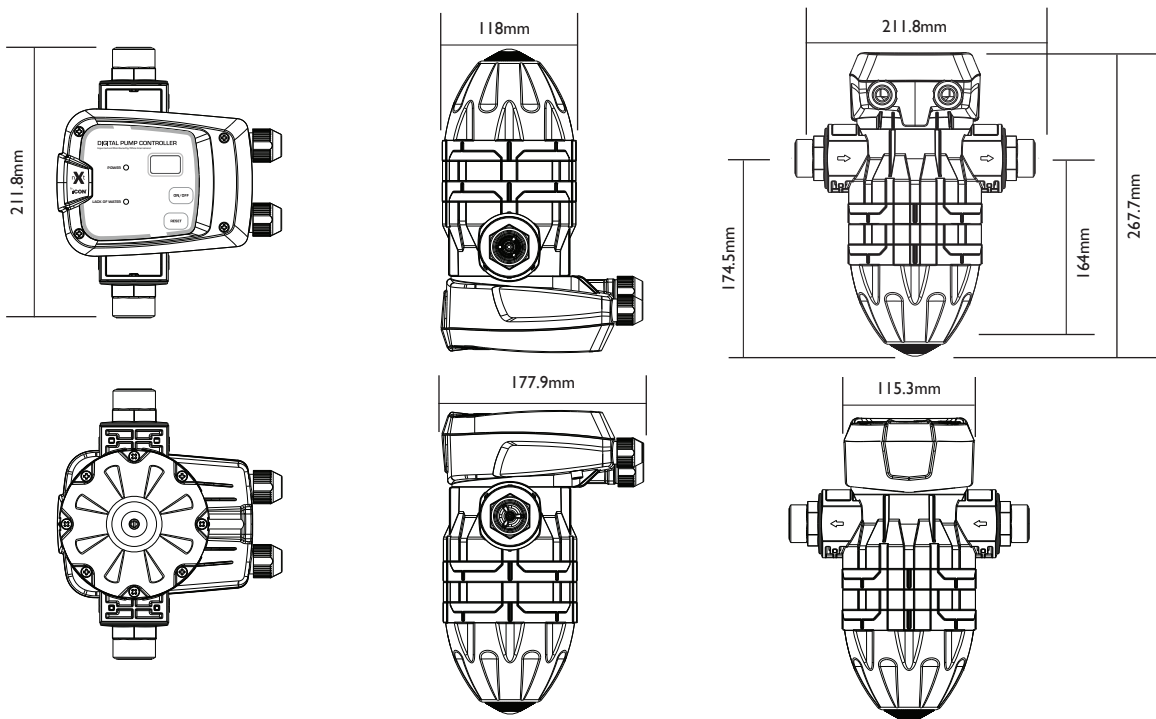
FUNCTION	ON / OFF + CONFIG
MODES	2
SIZE (KW)	2.2
RATED VOLTAGE (V)	80-260 AC
MAX AMPS	16
RATED POWER	2200w
RATING	IP65
UNION SIZE	1"
START PRESSURE	Adjustable

STOP PRESSURE	Adjustable
MAX PRESSURE	10 bar (145PSI)
MAX LIQUID TEMP	40°C
CABLE TO PUMP	Plug and Play
FLYLEAD FOR PUMP	When sold as control only
POWER CABLE	10AMP
COMMUNICATION	-
ACCESSORIES (SOLD SEPARATELY)	15AMP Cable
	1 ¼" Union Kit

CURVE



DIMENSIONS



WARRANTY / CERTIFICATIONS

