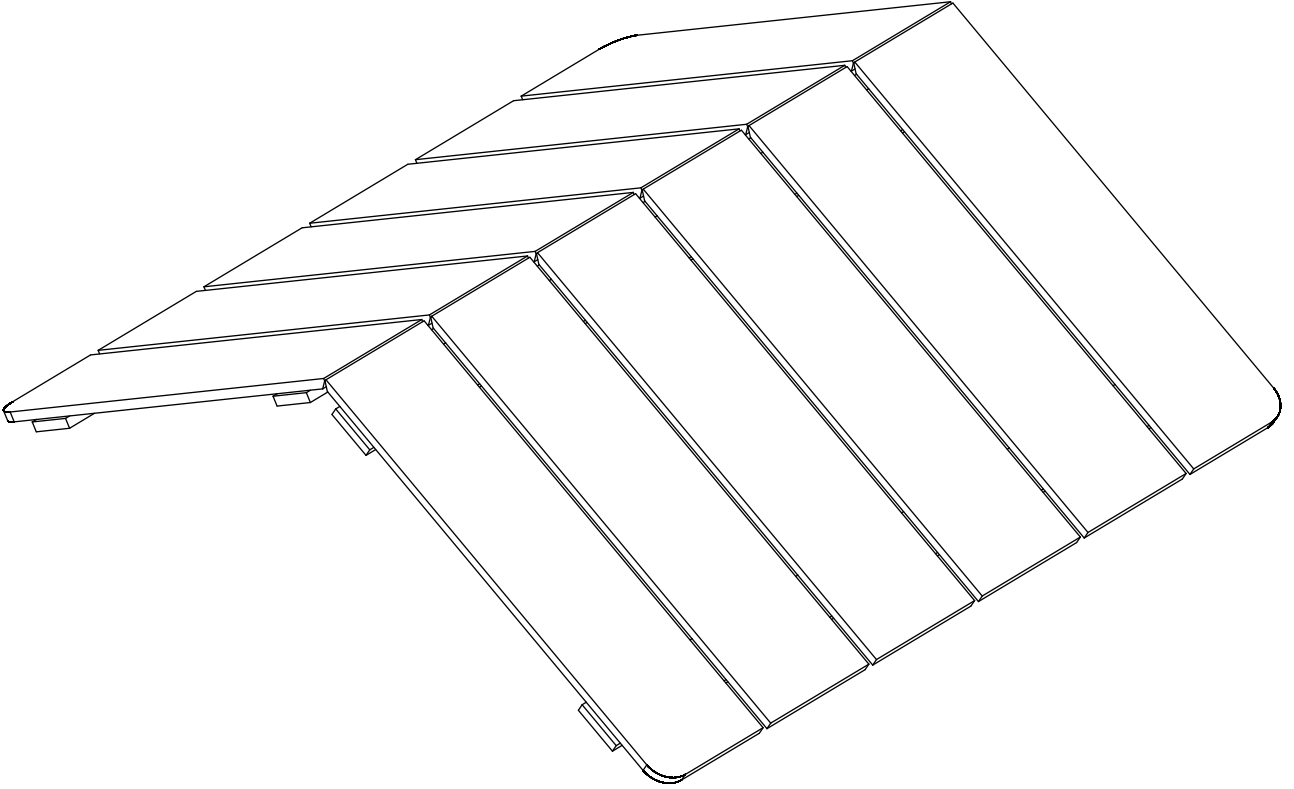
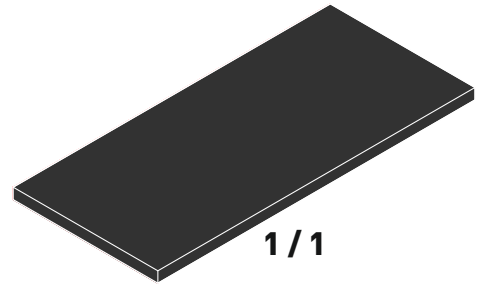
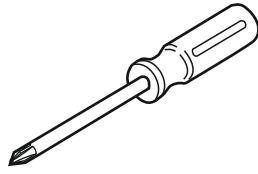
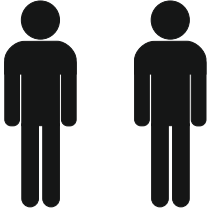
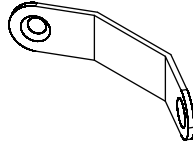


**20.76.1308.00**

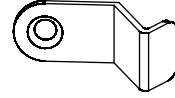




M6X13  
13.03.01.021 x 6

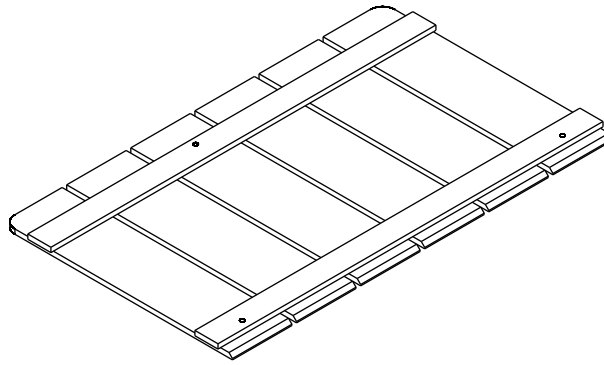


18.76.1308.201 x 2



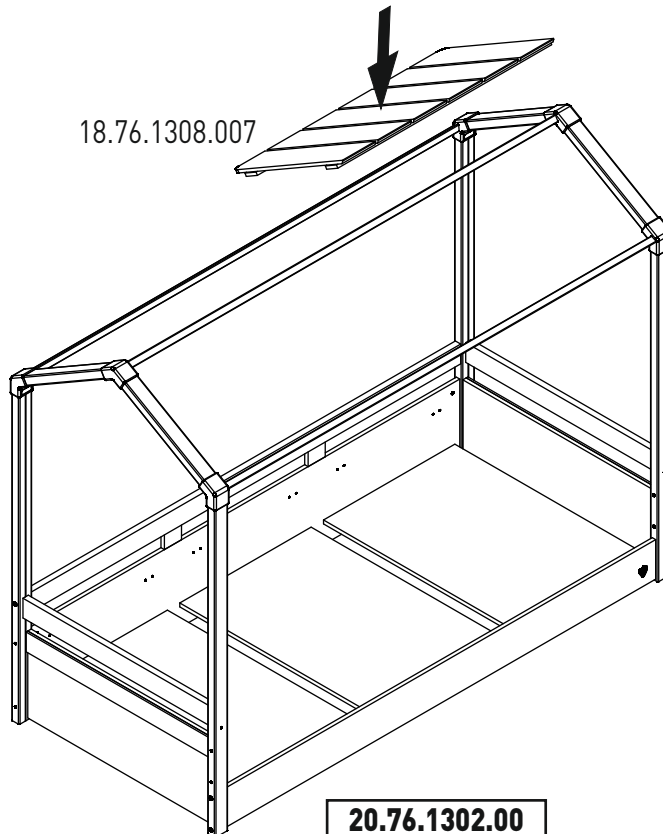
18.76.1308.202 x 2

1/1



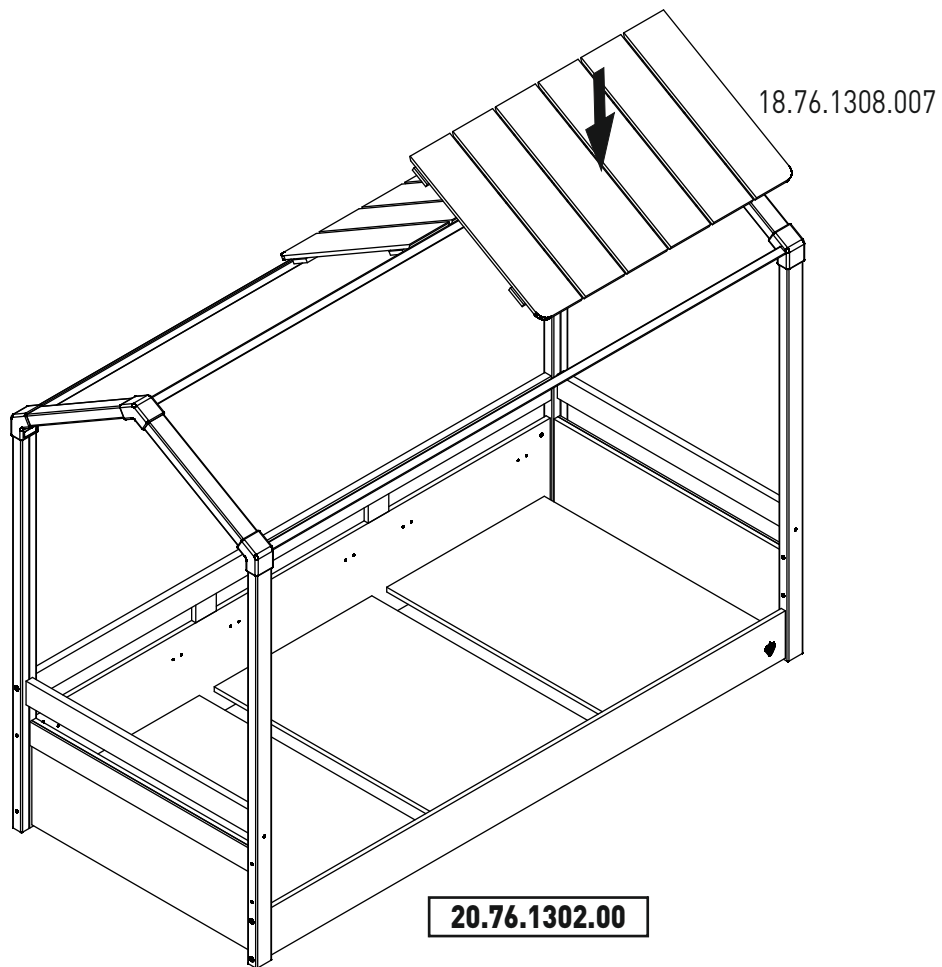
18.76.1308.007 x 2

1



20.76.1302.00

2



3

