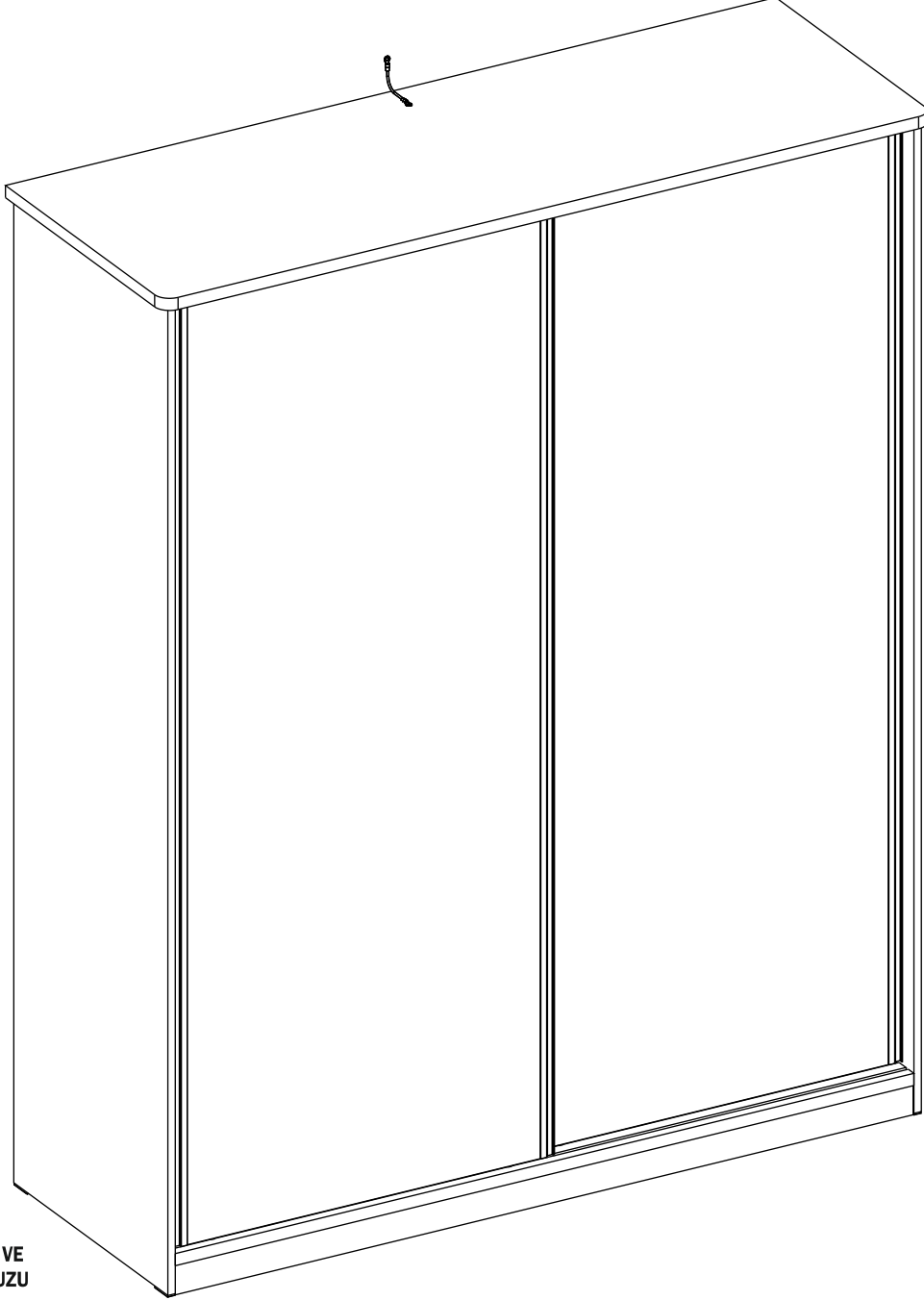


20.54.1003.00



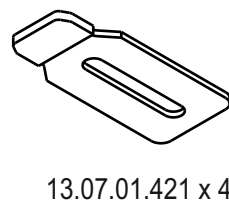
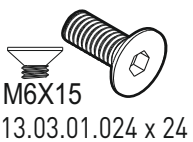
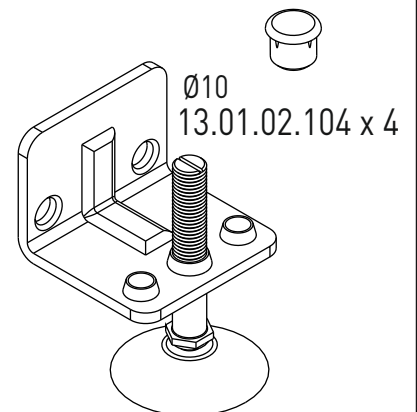
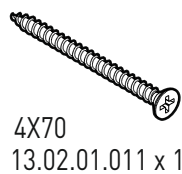
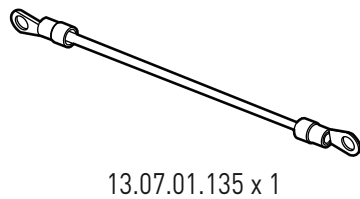
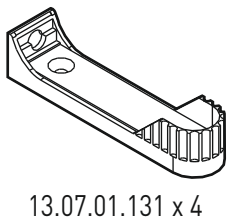
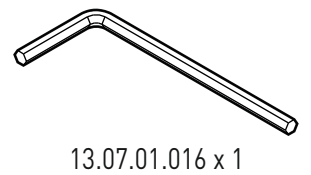
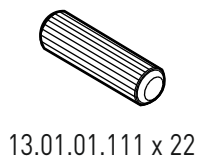
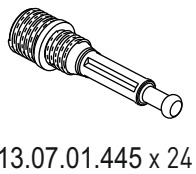
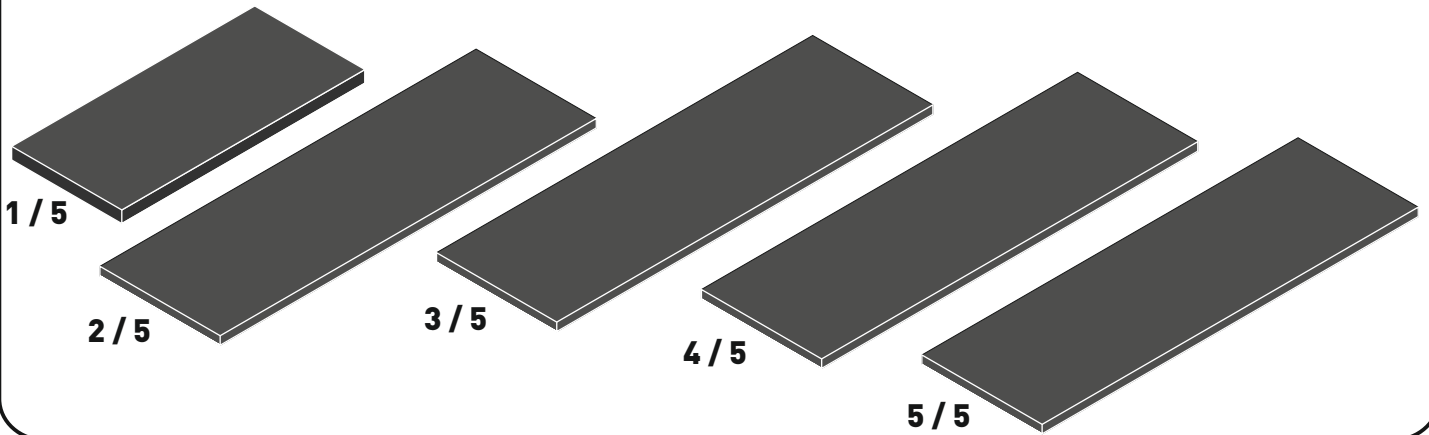
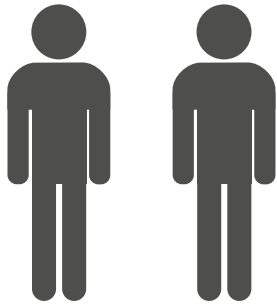
GARANTİ BELGESİ VE
KULLANMA KILAVUZU



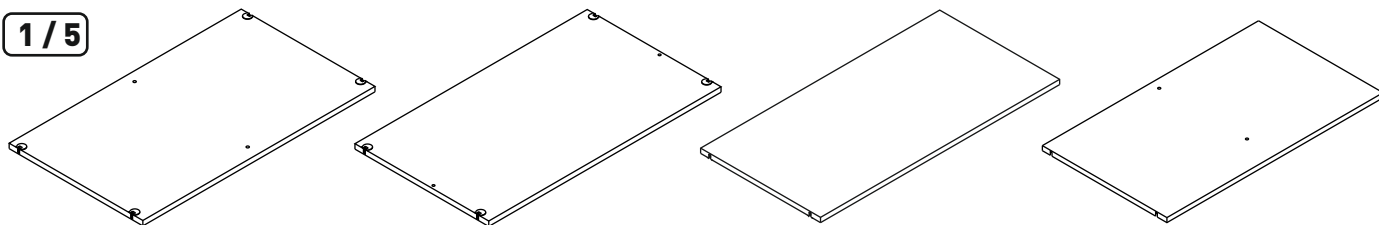
WARRANTY CERTIFICATE
AND USER MANUAL

شهادة الضمان ودليل المستخدم





1/5

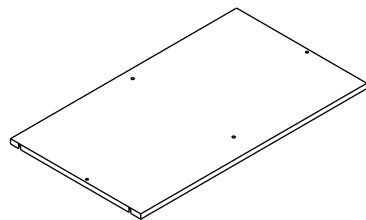


18.54.1003.007 x 1

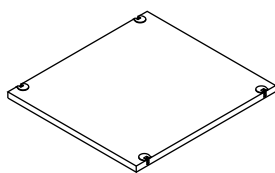
18.54.1003.006 x 1

18.54.1003.010 x 1

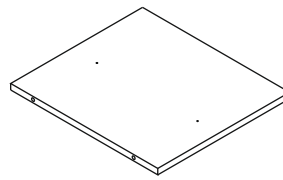
18.54.1003.011 x 1



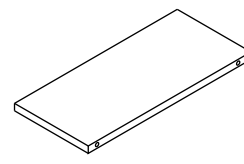
18.54.1003.012 x 1



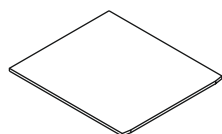
18.54.1003.019 x 1



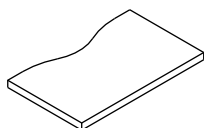
18.54.1003.009 x 1



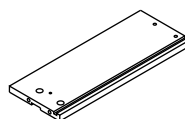
18.54.1003.013 x 2



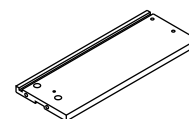
18.54.1003.018 x 2



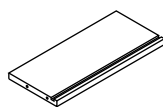
18.54.1003.014 x 2



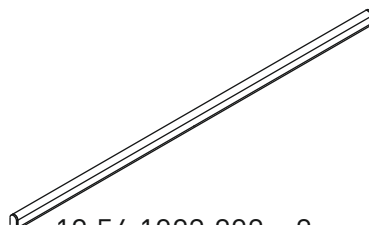
18.54.1003.015 x 2



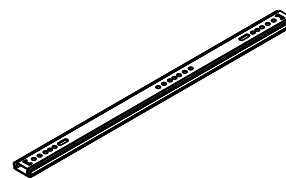
18.54.1003.016 x 2



18.54.1003.017 x 2

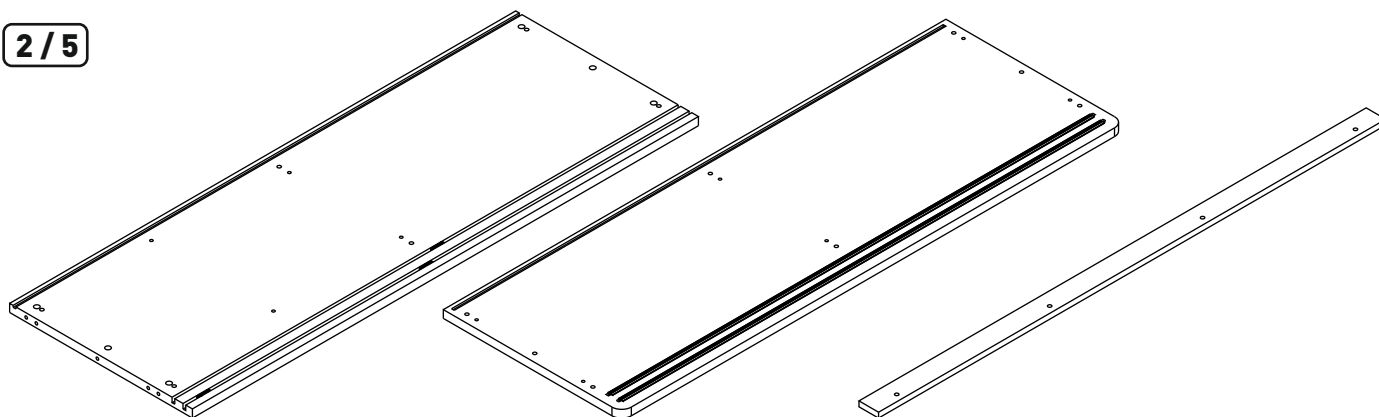


18.54.1003.202 x 2



13.05.01.008 x 4

2/5

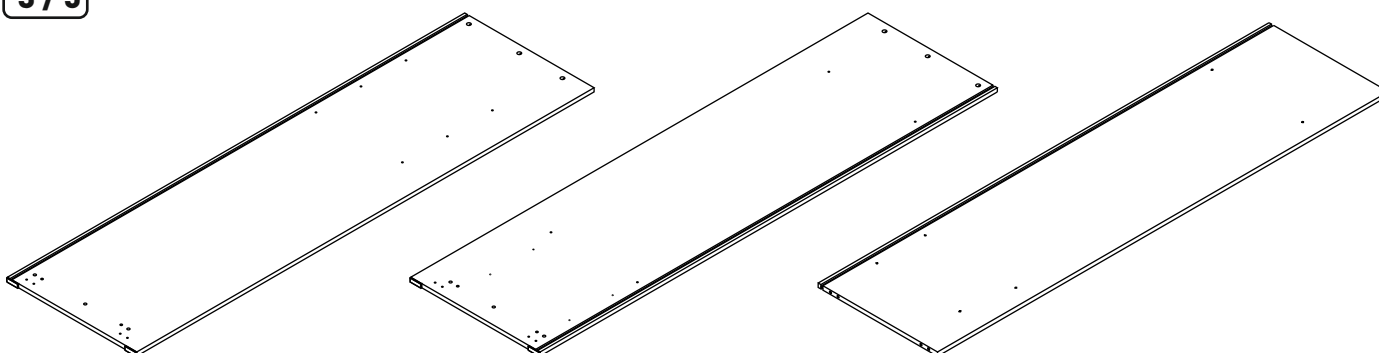


18.54.1003.003 x 1

18.54.1003.004 x 1

18.54.1003.008 x 2

3/5



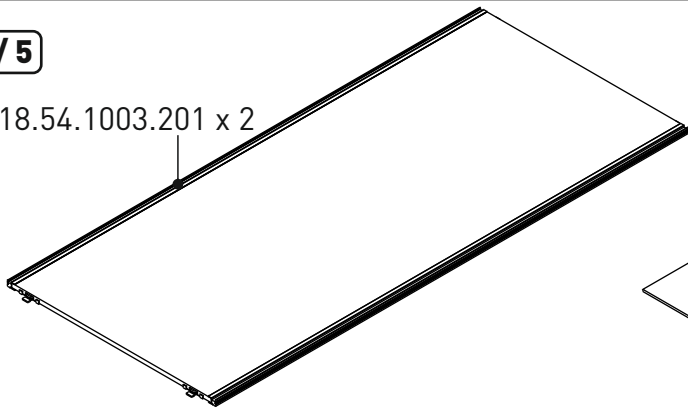
18.54.1003.002 x 1

18.54.1003.001 x 1

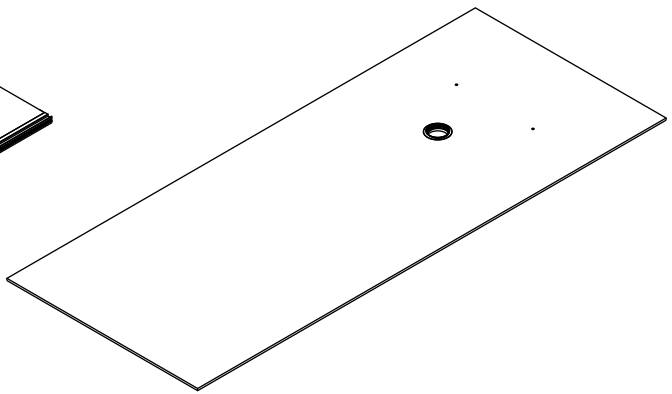
18.54.1003.005 x 1

4/5

18.54.1003.201 x 2



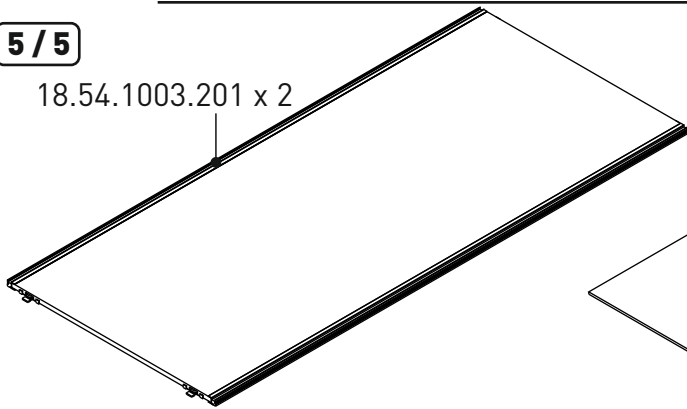
18.54.1003.022 x 1



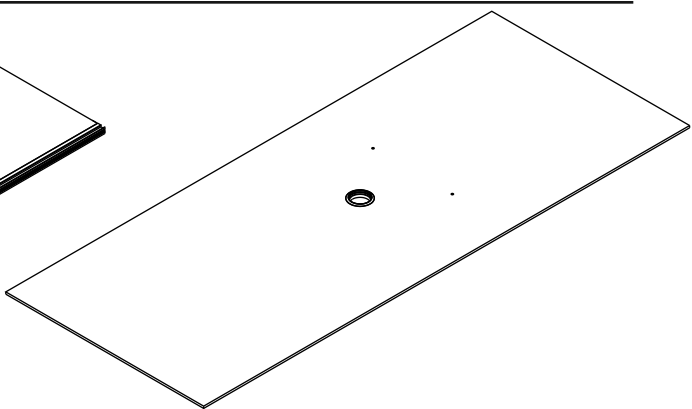
18.54.1003.020 x 1

5/5

18.54.1003.201 x 2

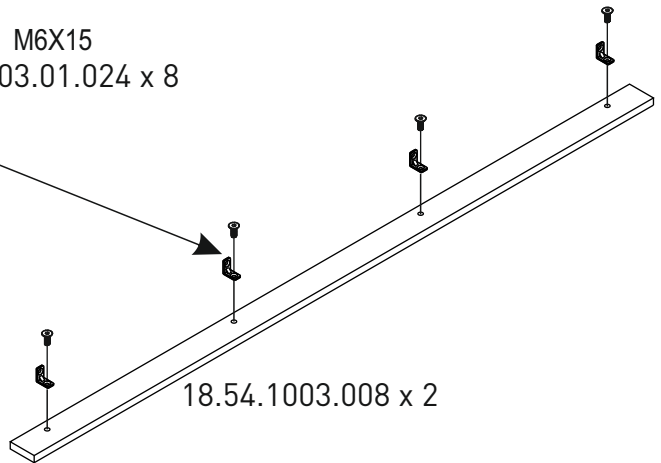
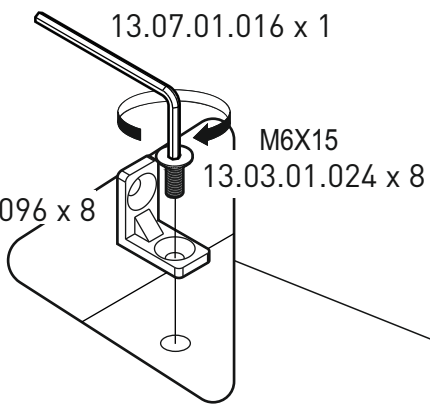
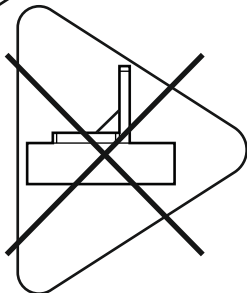
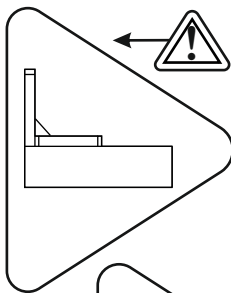


18.54.1003.023 x 1

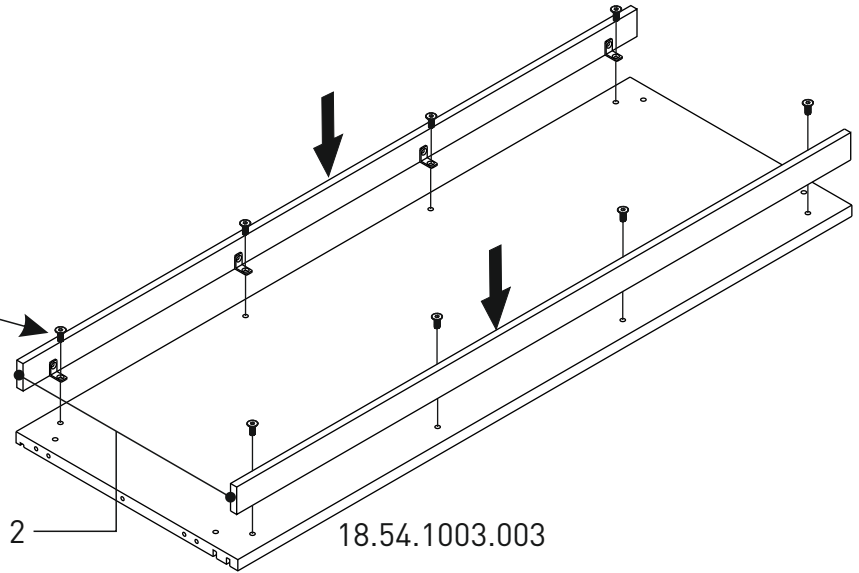
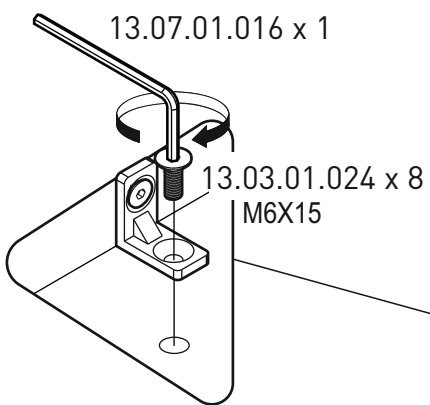


18.54.1003.021 x 1

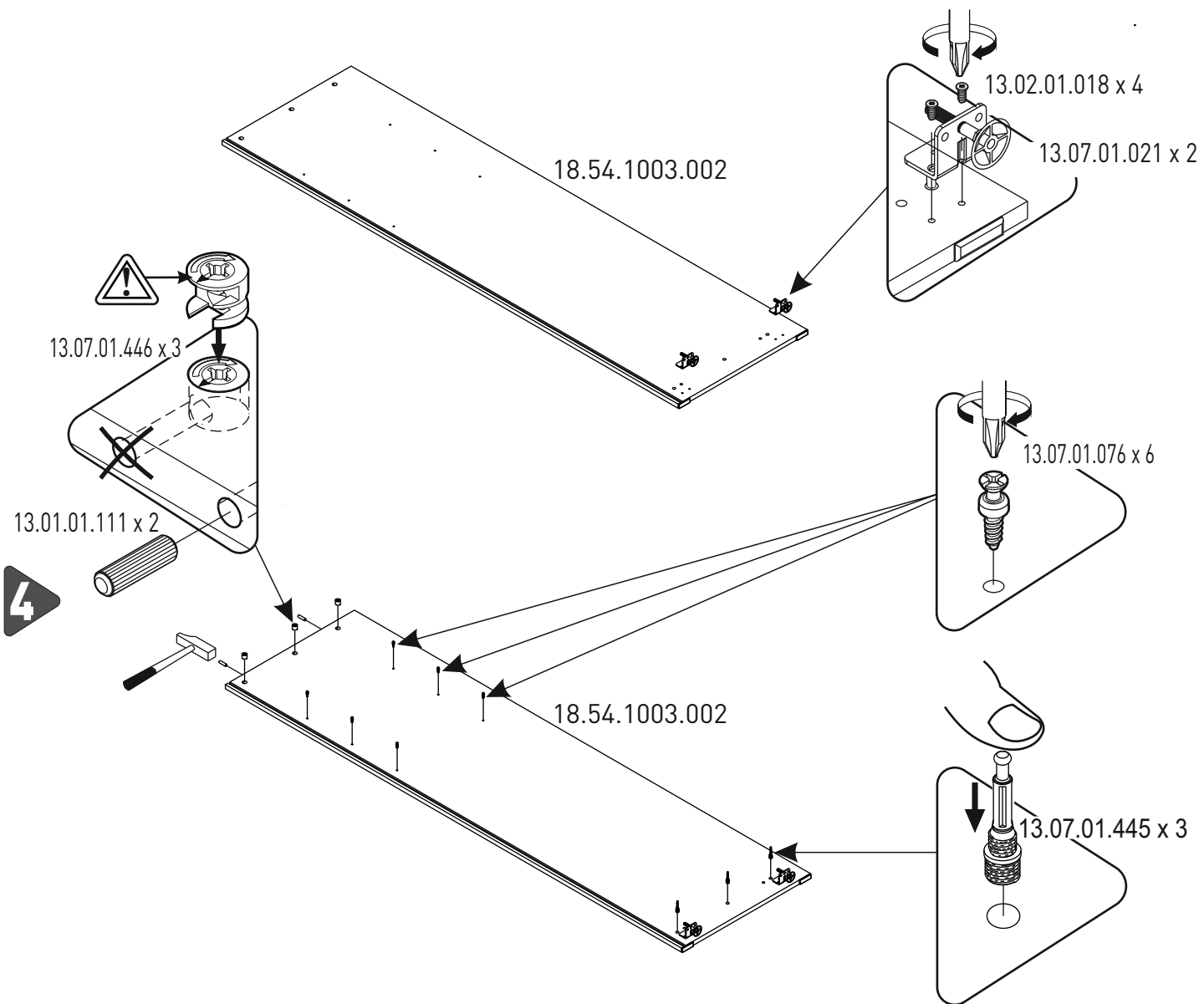
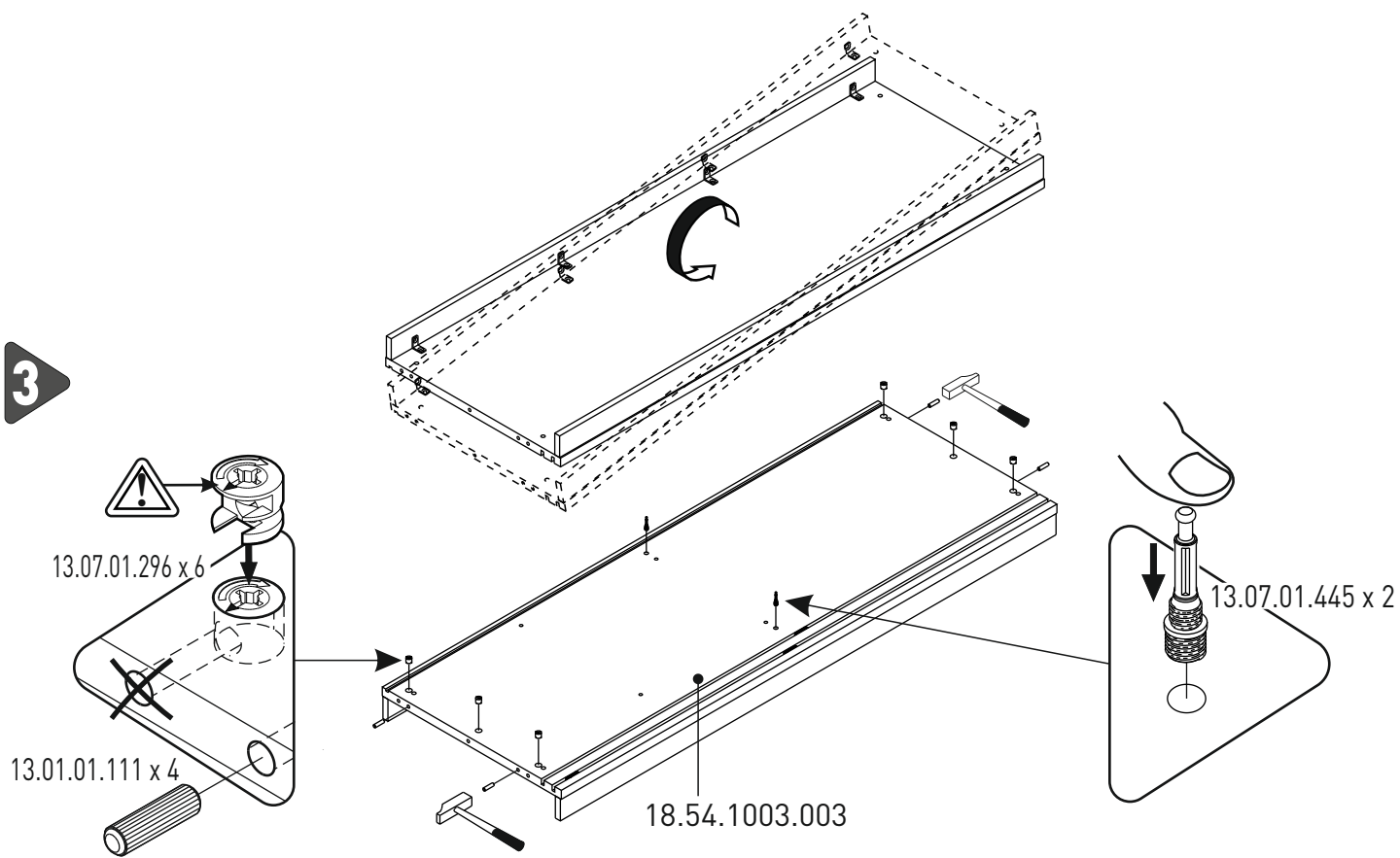
1



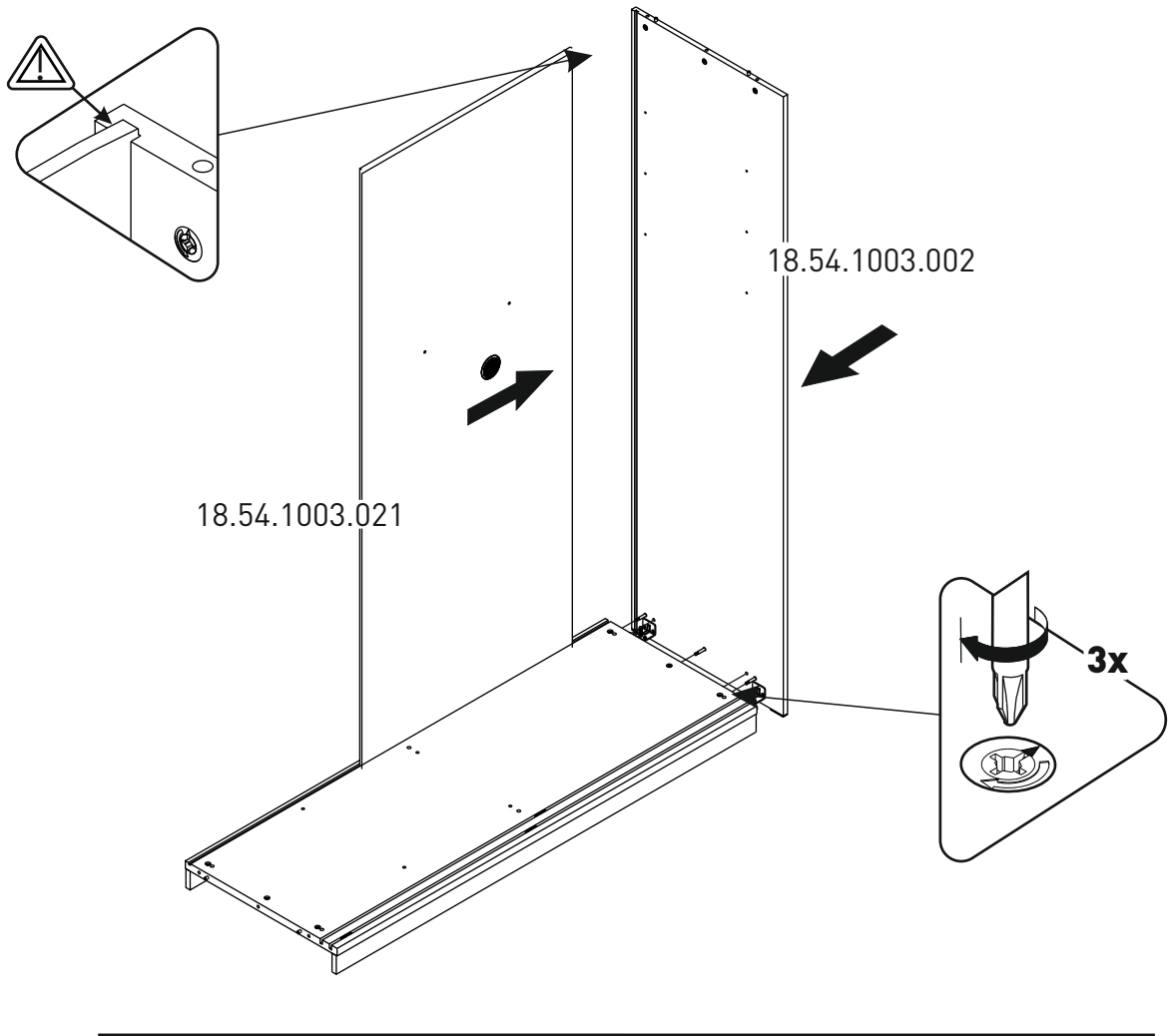
2



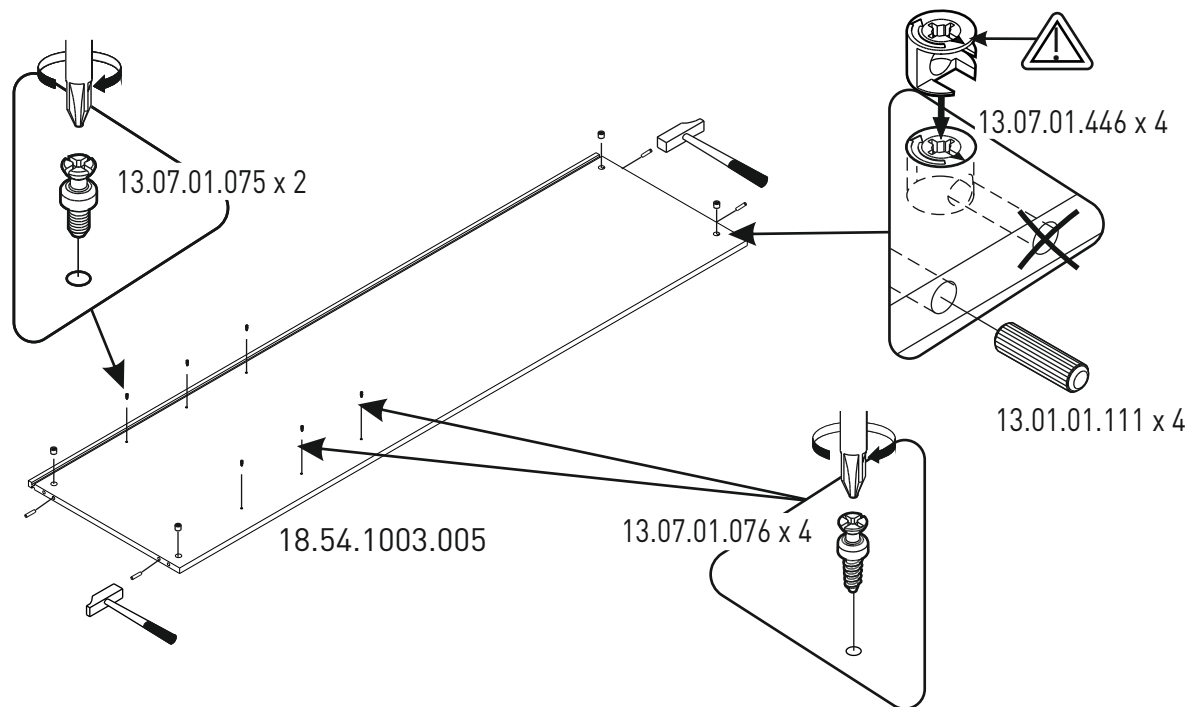
3



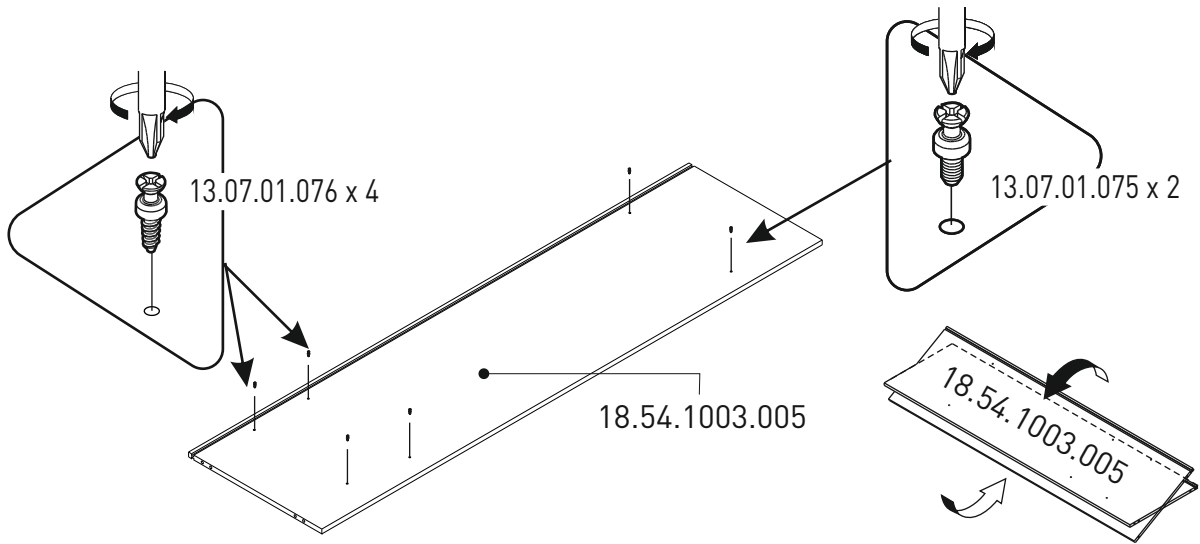
5



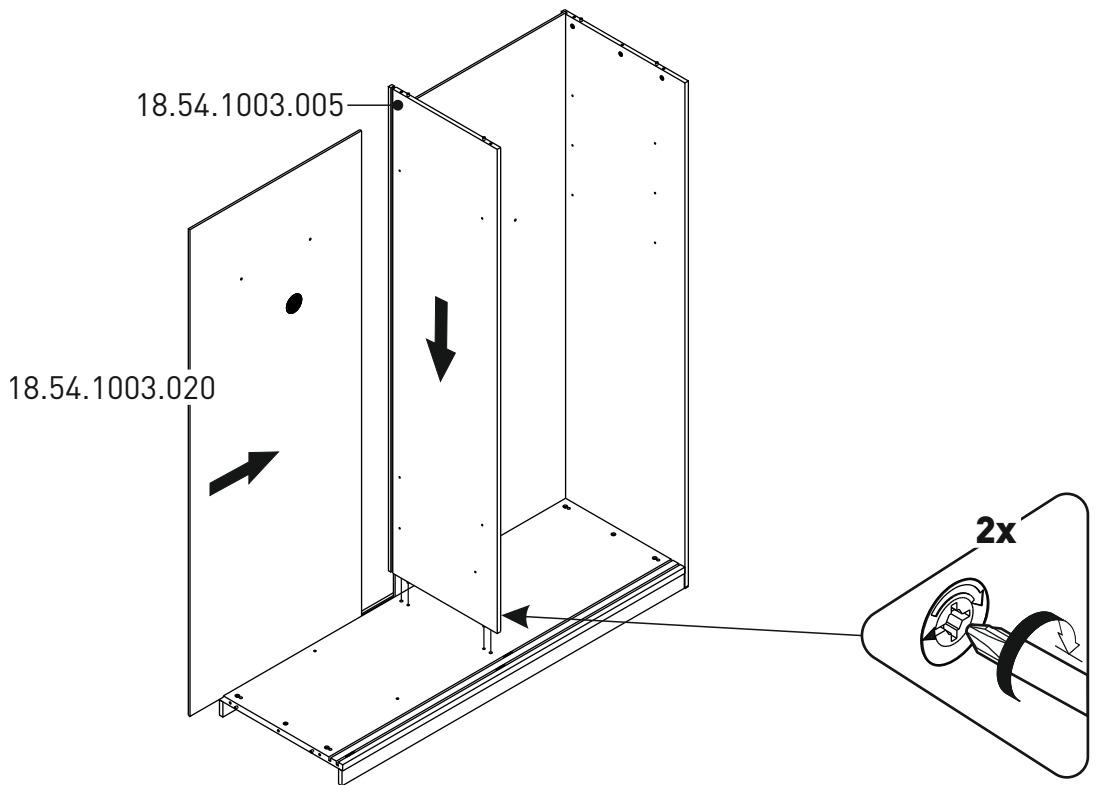
6



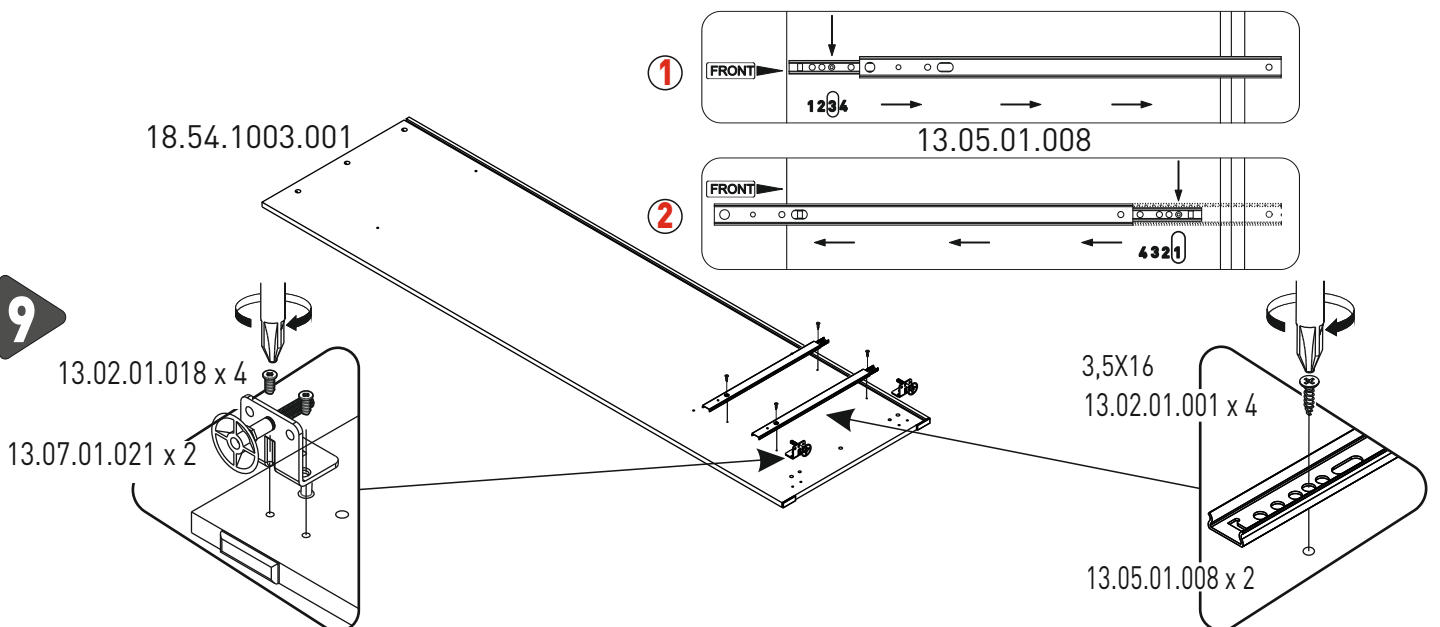
7



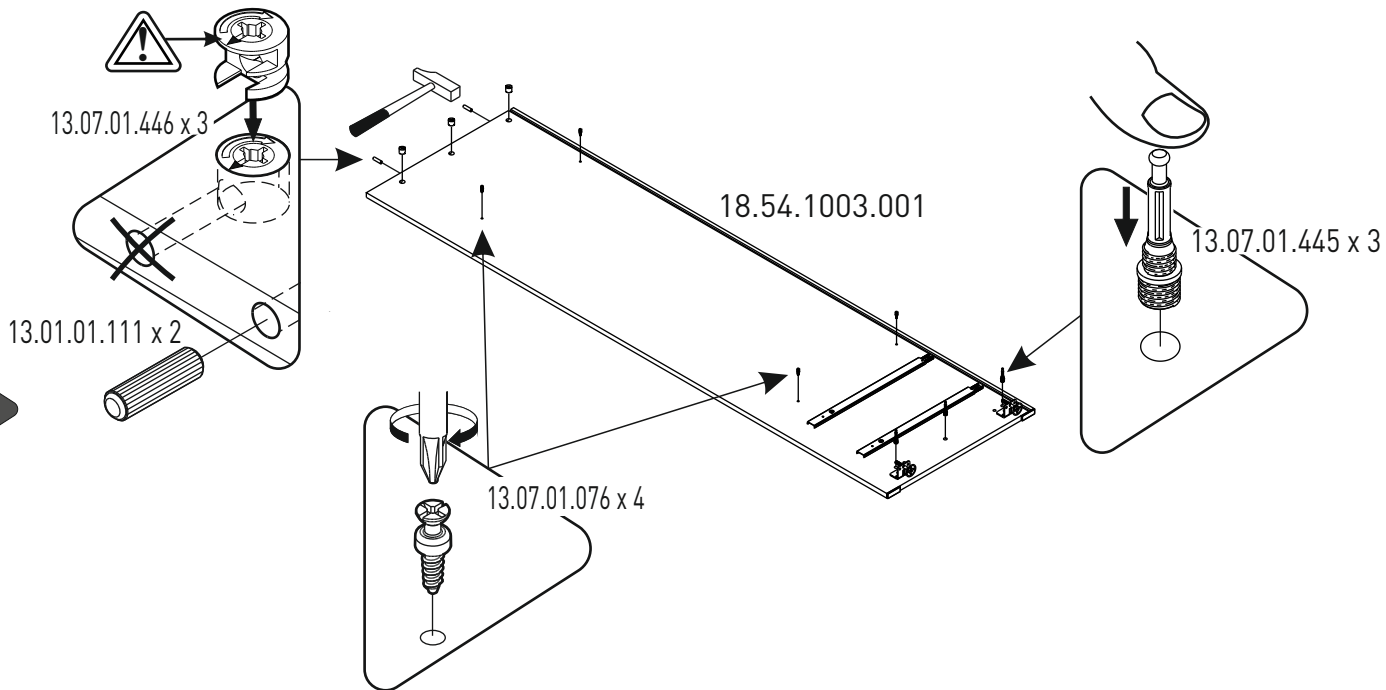
8



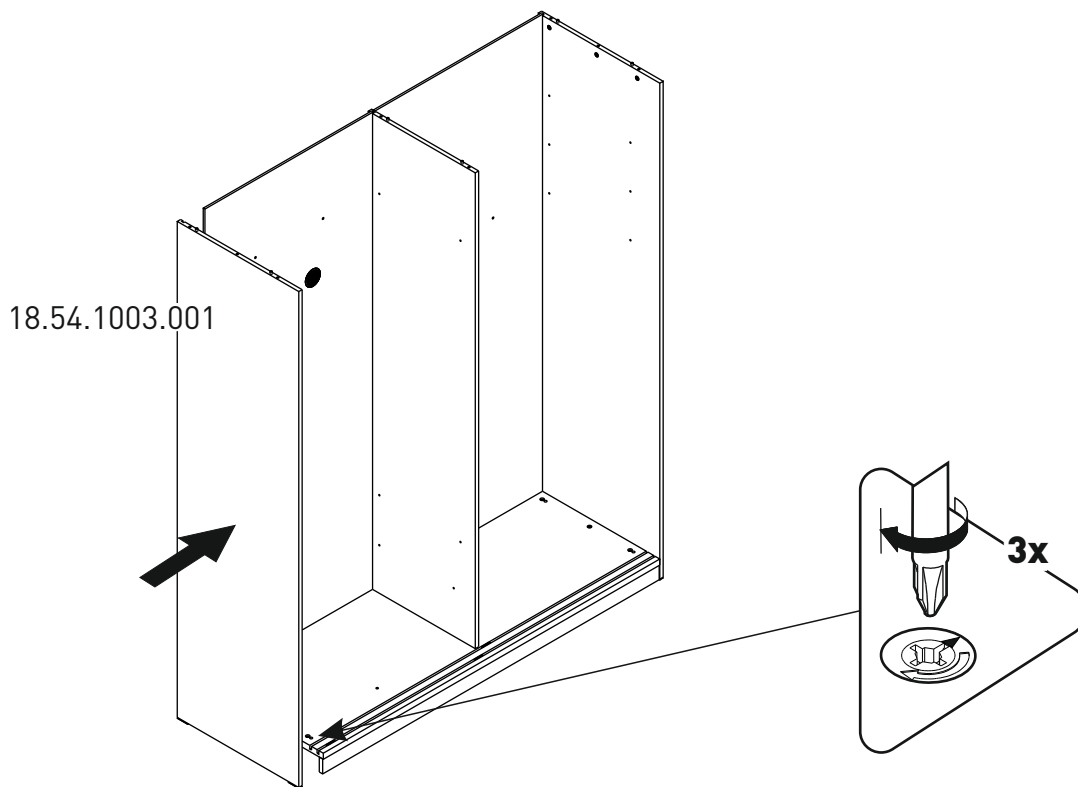
9



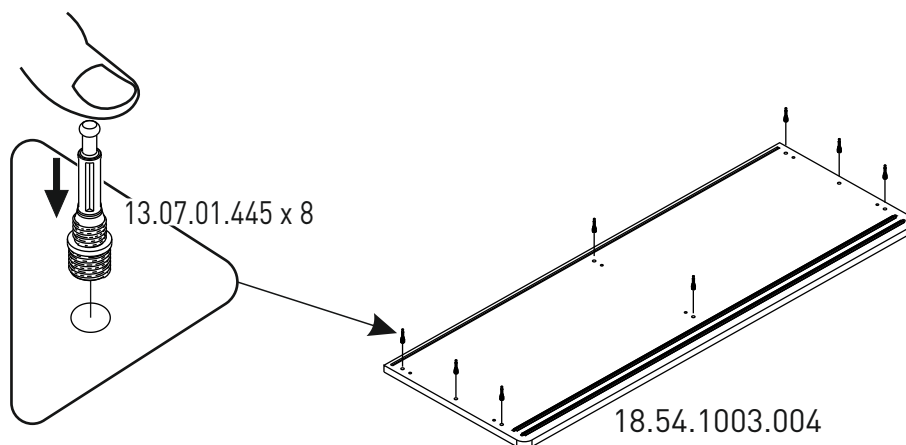
10



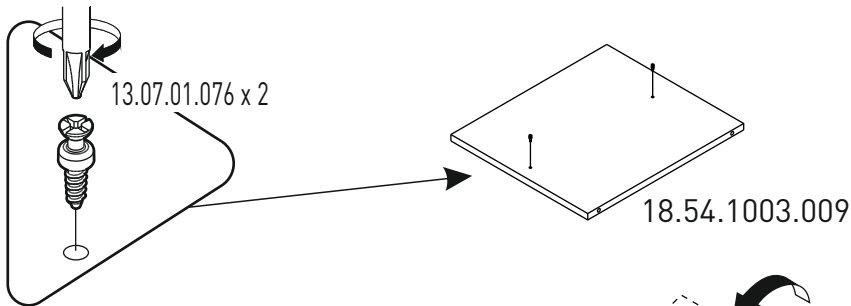
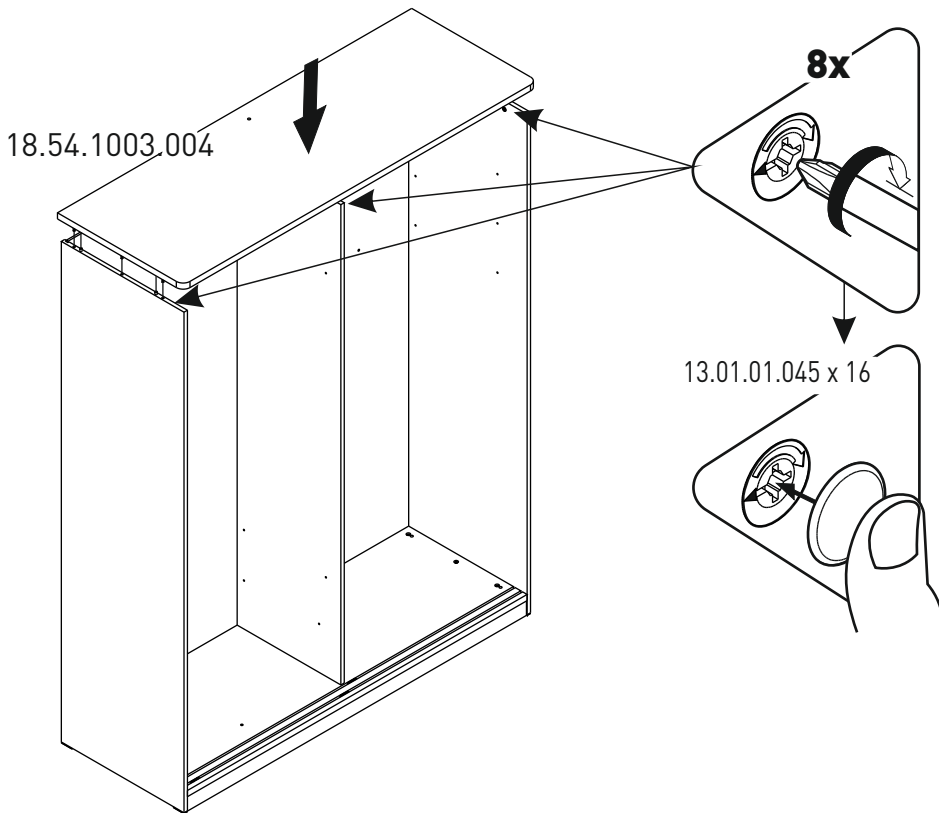
11



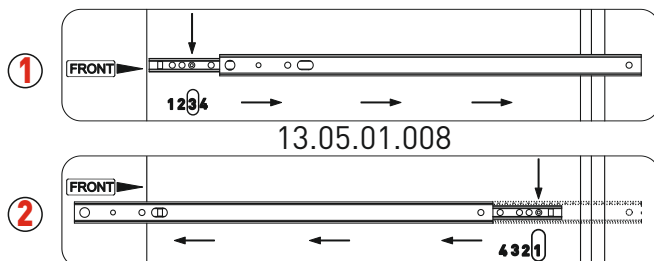
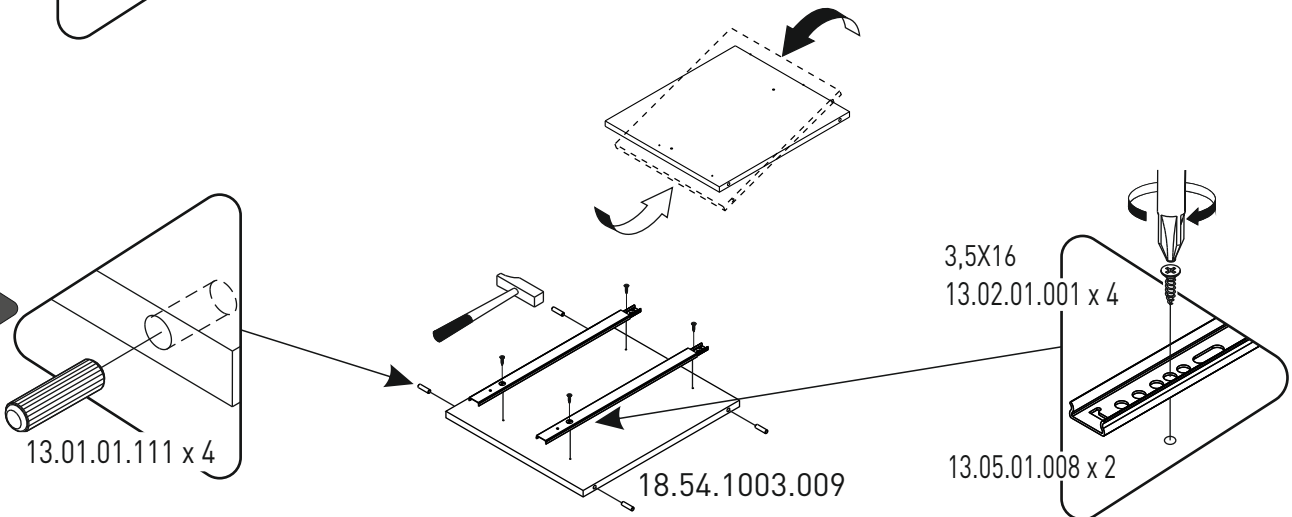
12



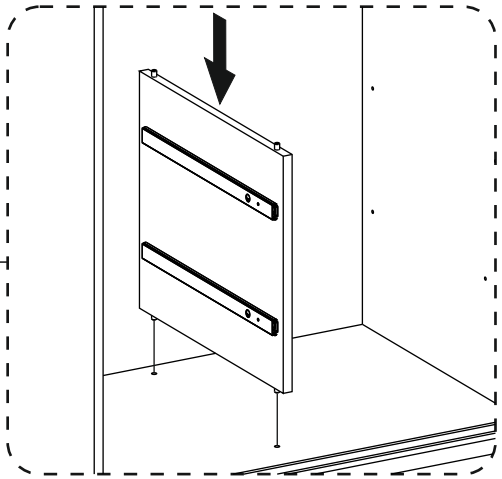
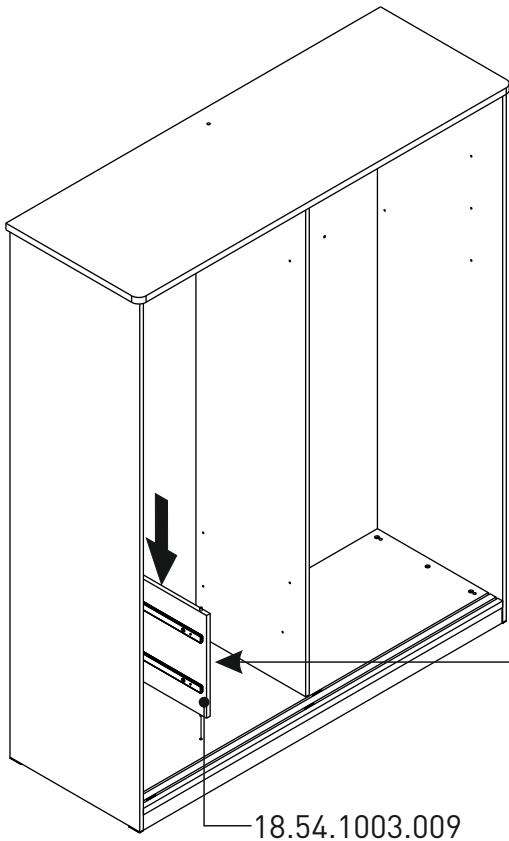
13



14

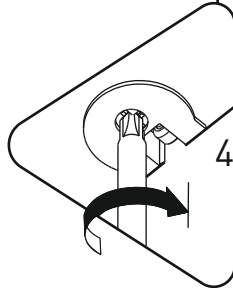
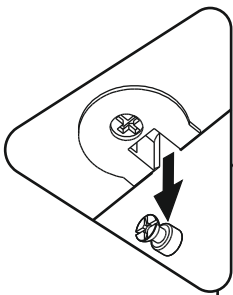


15

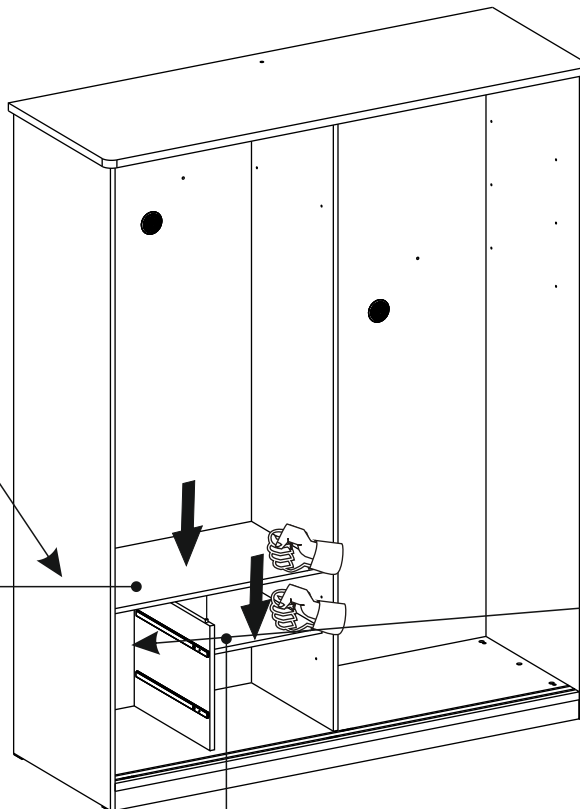


18.54.1003.009

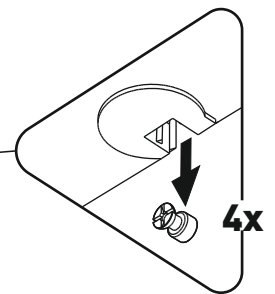
16



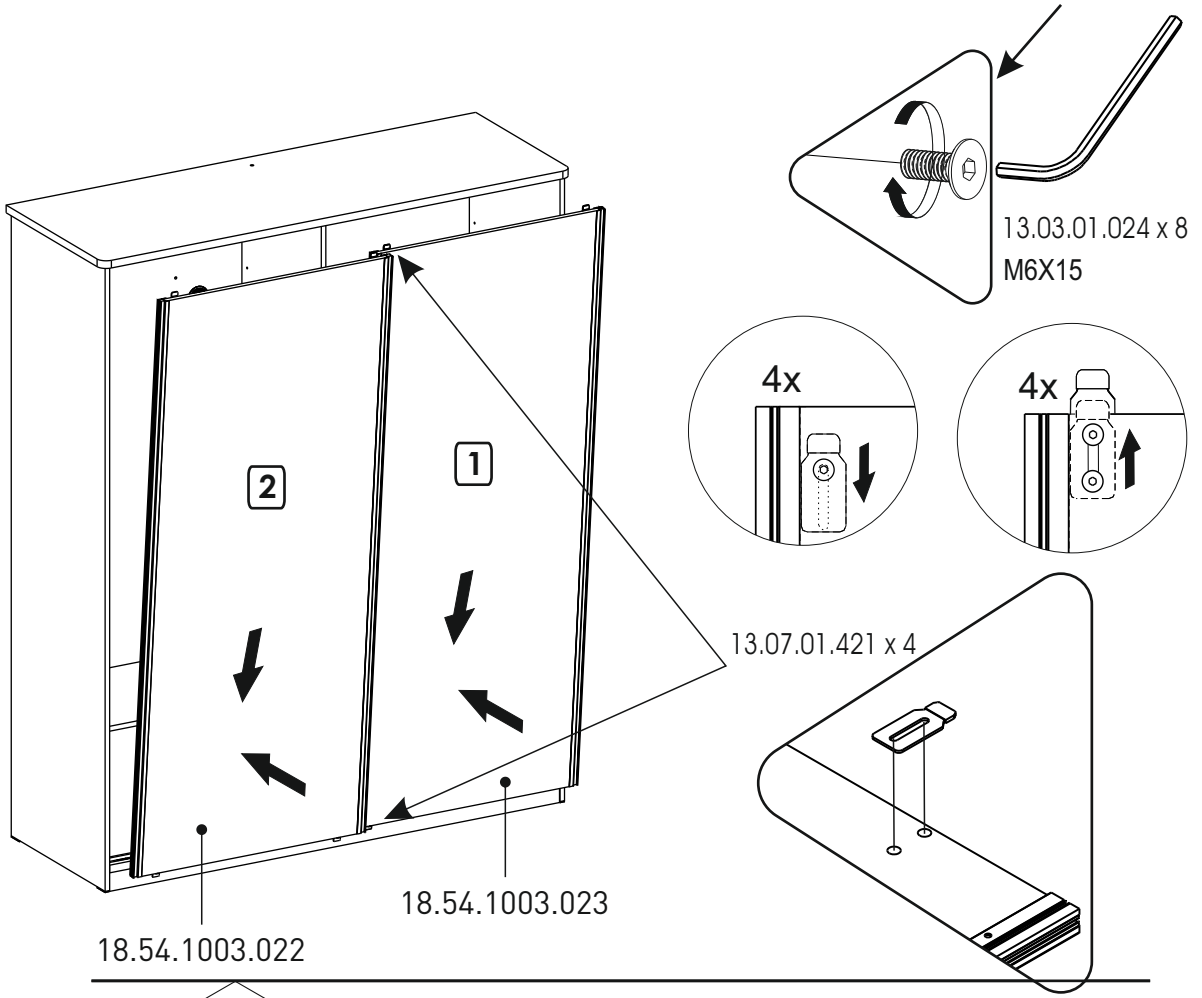
18.54.1003.007



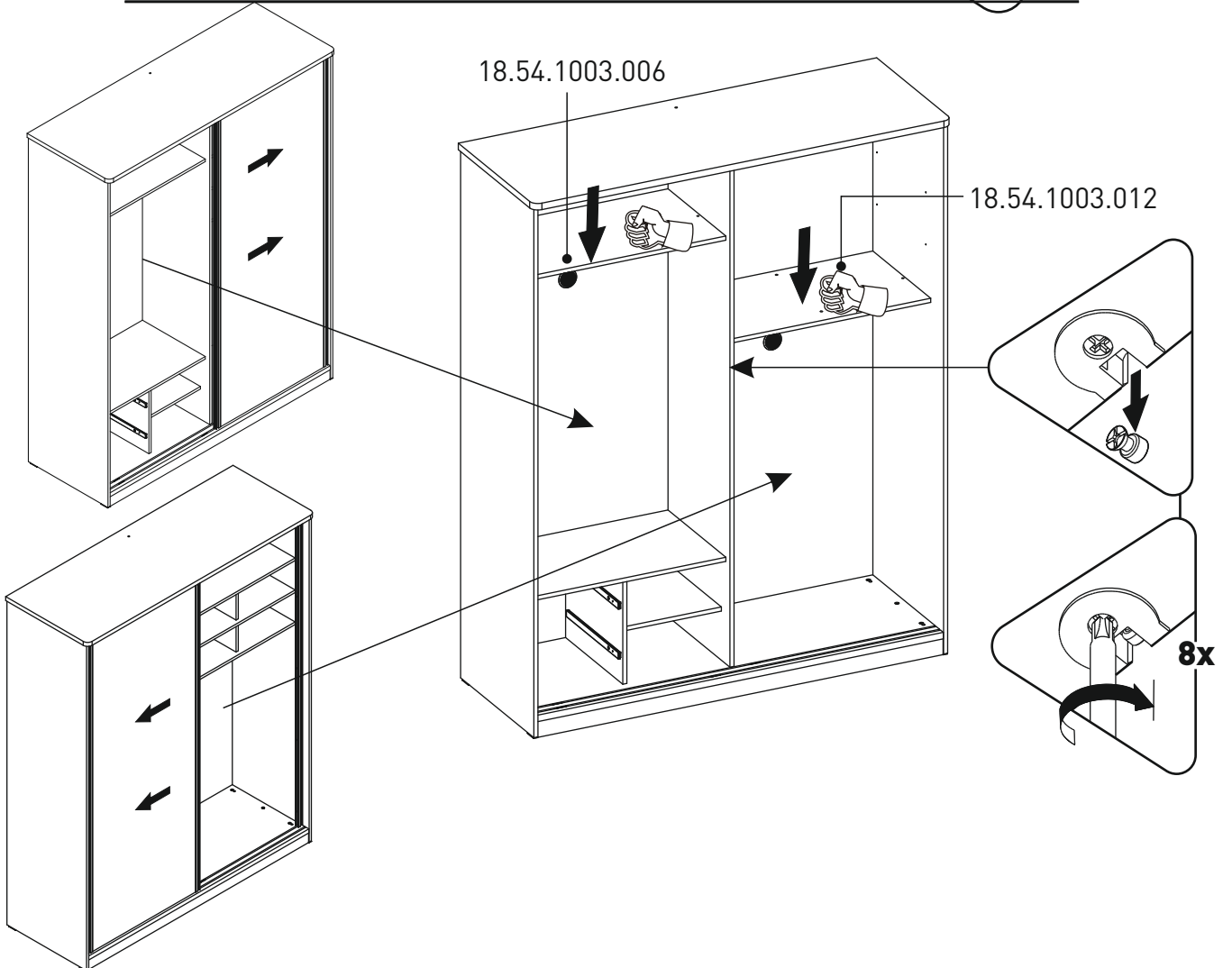
18.54.1003.019



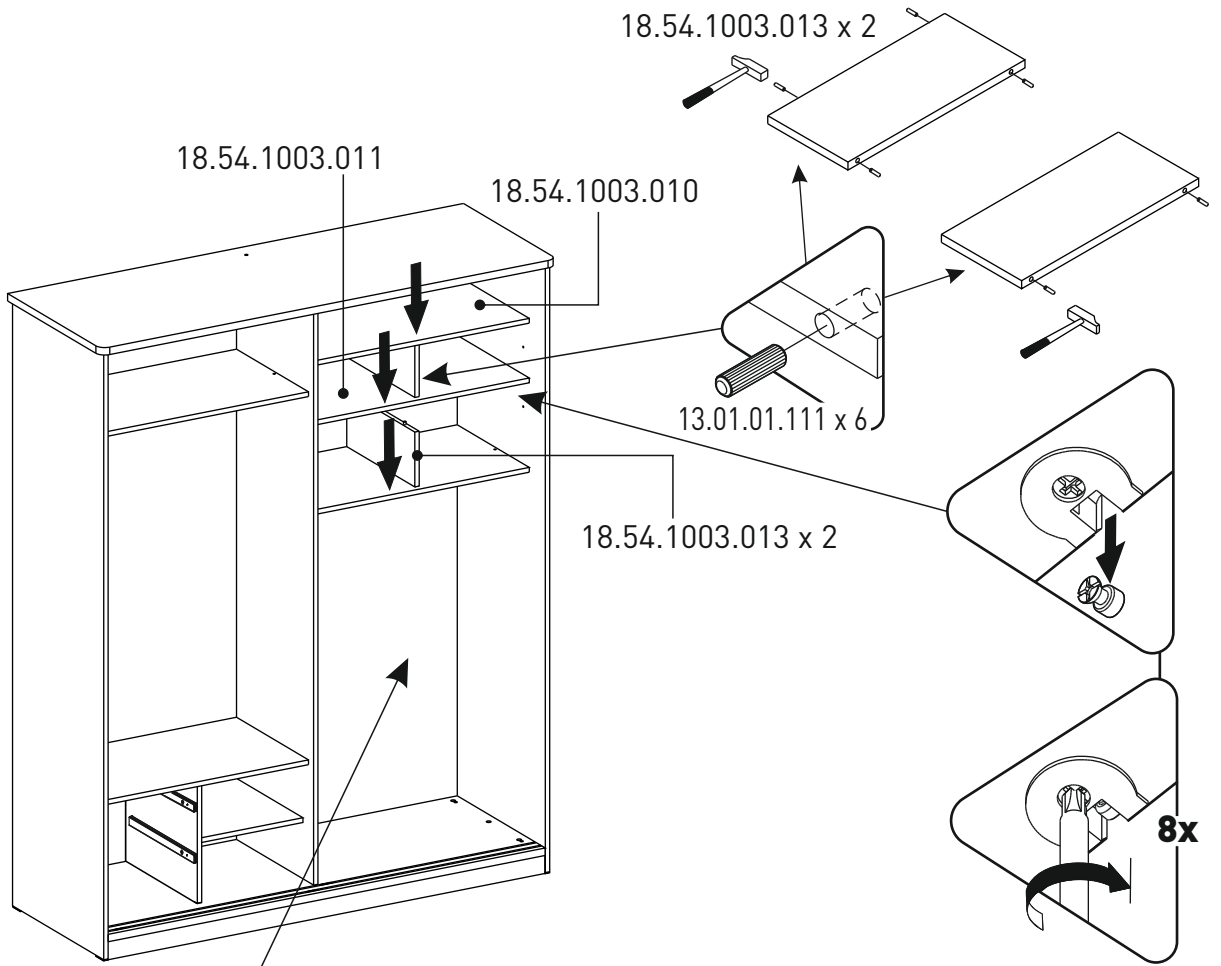
17



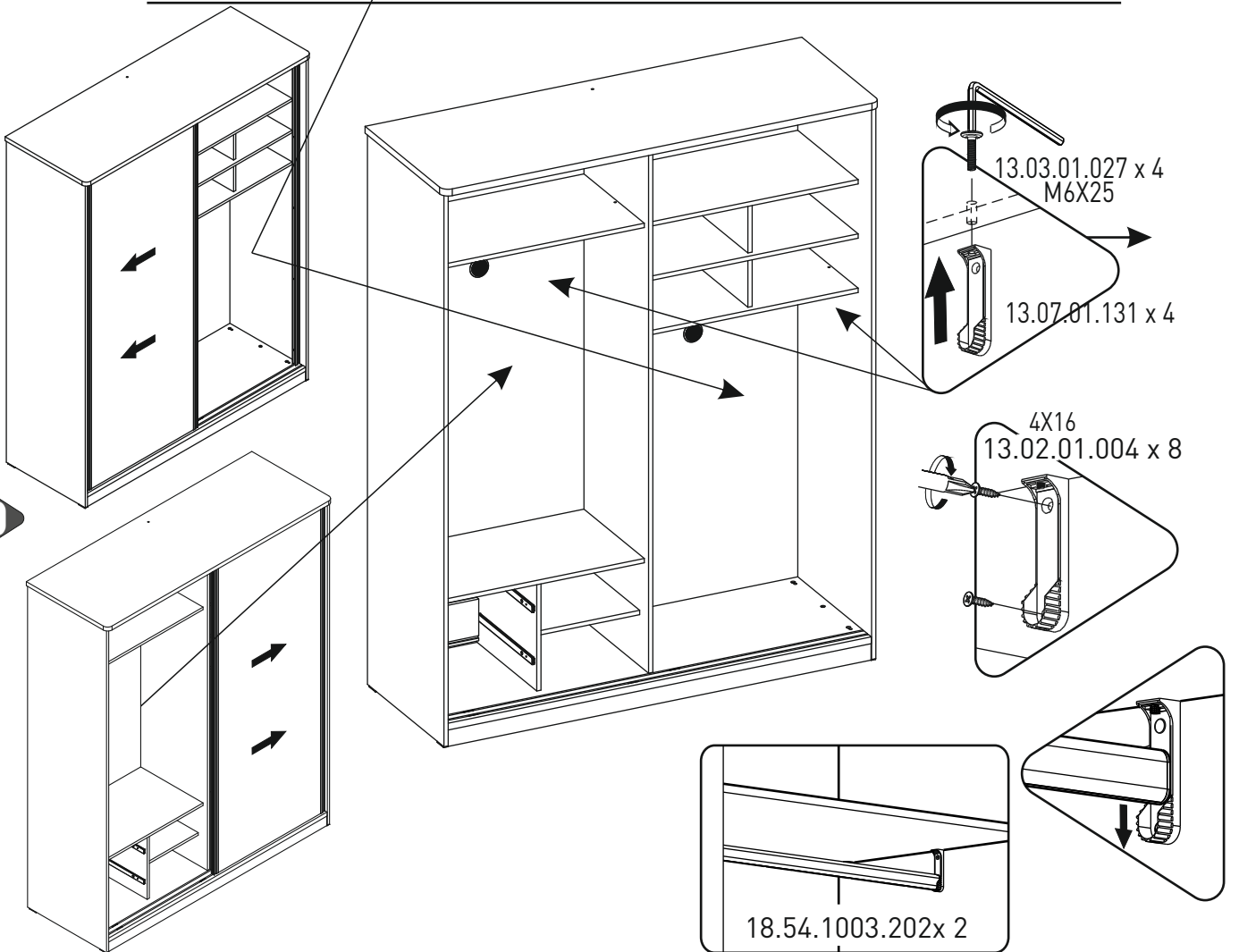
18



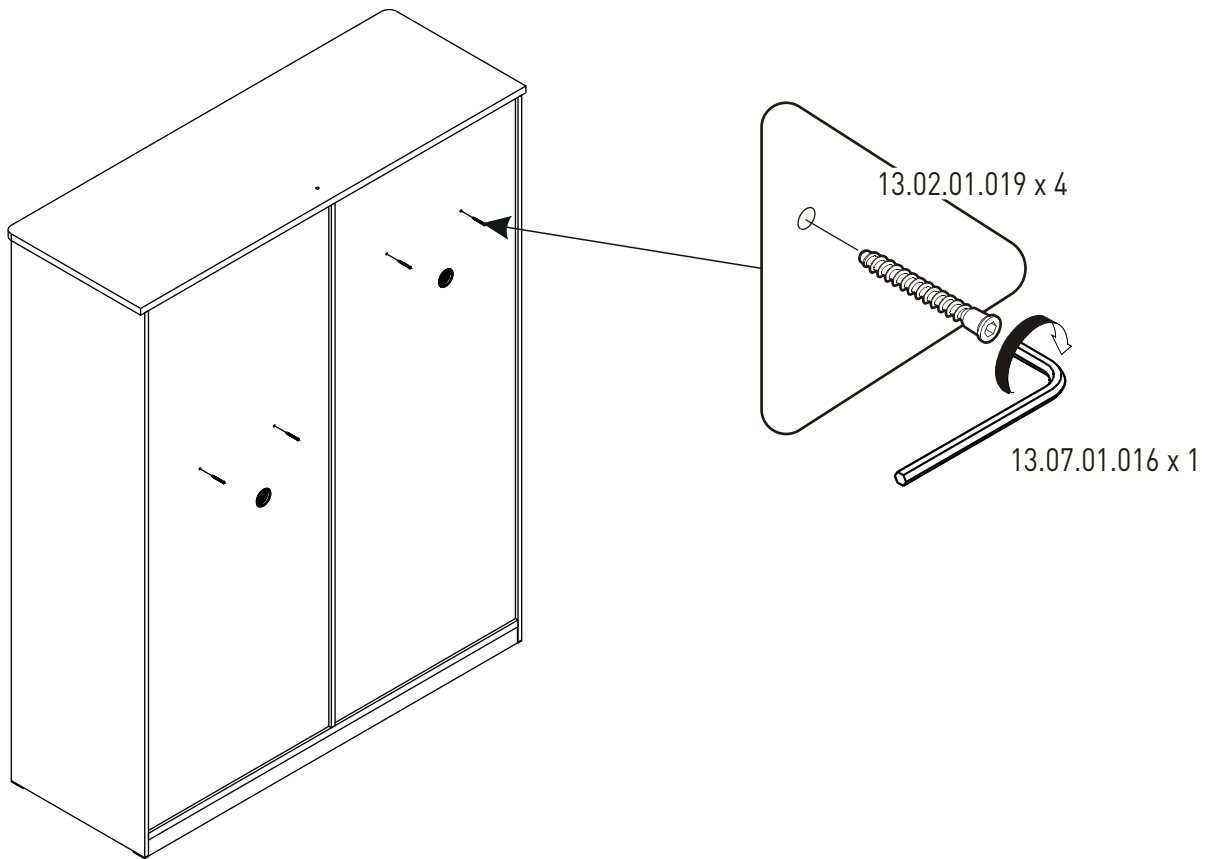
19



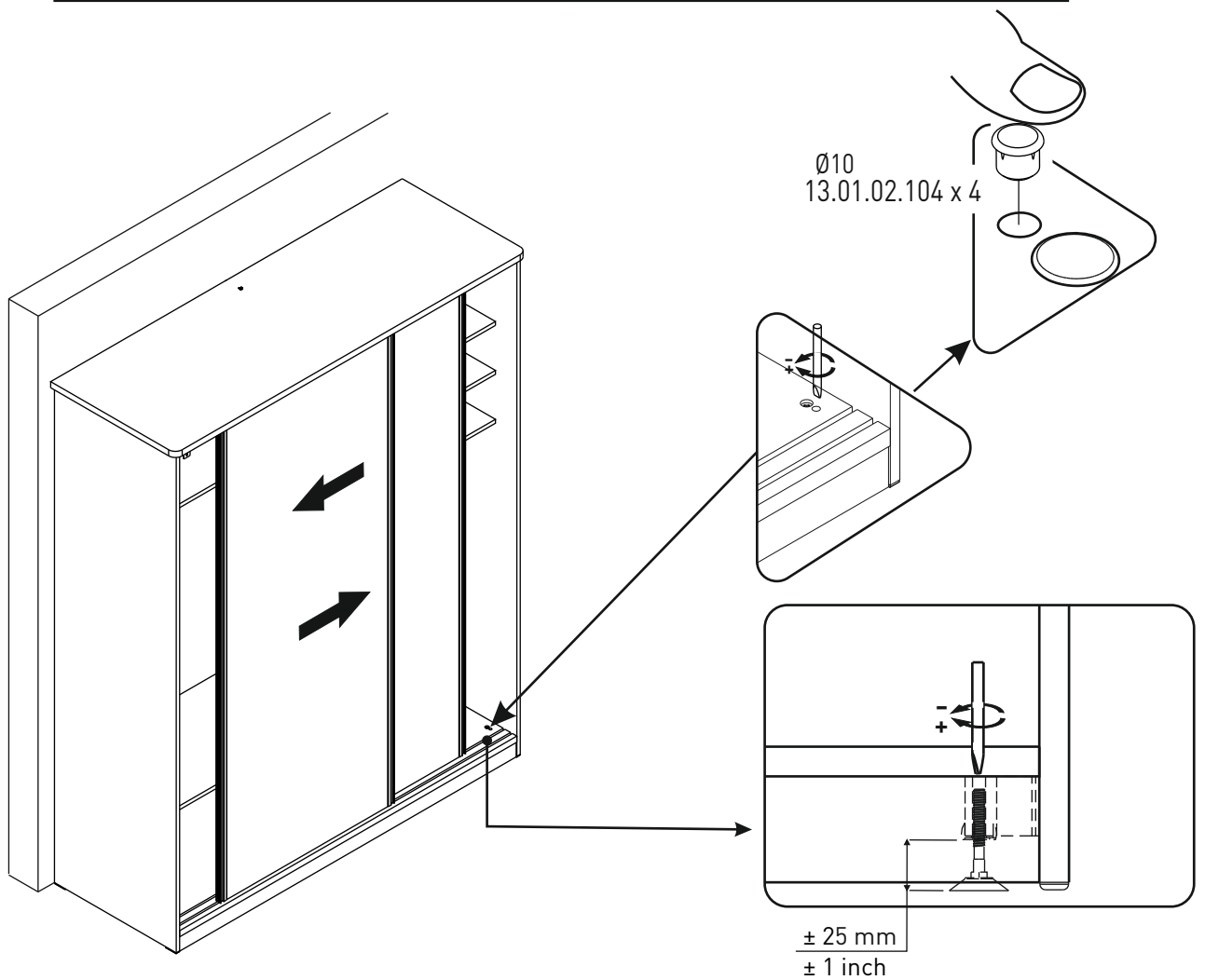
20



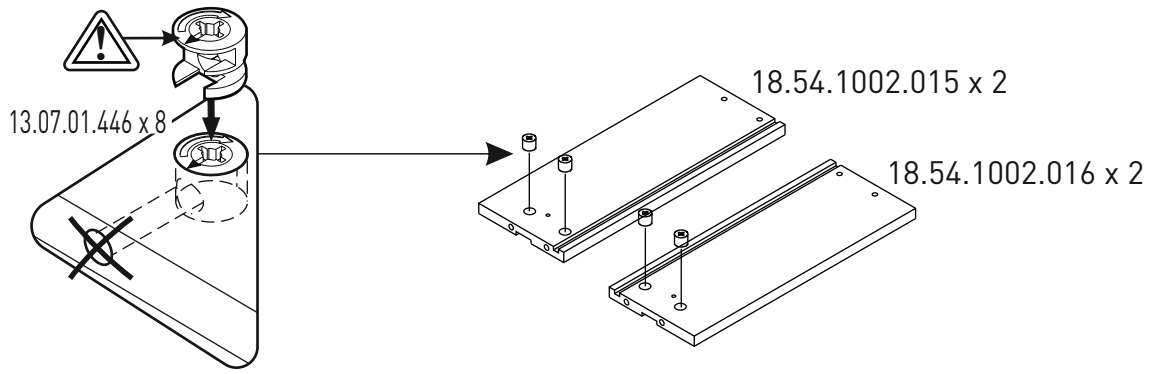
21



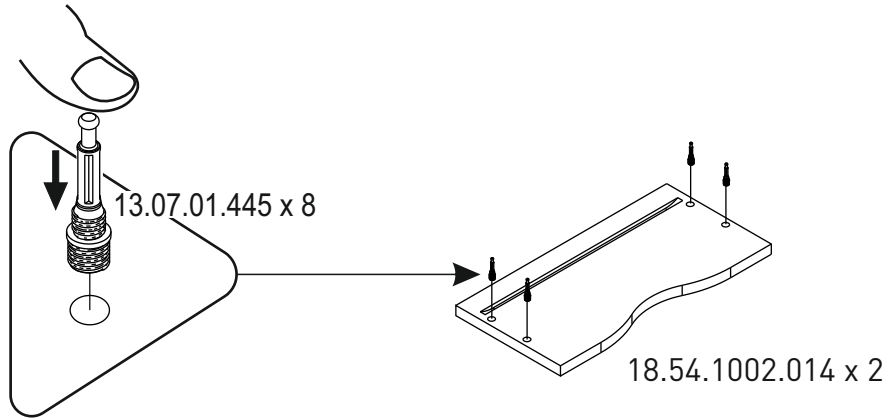
22



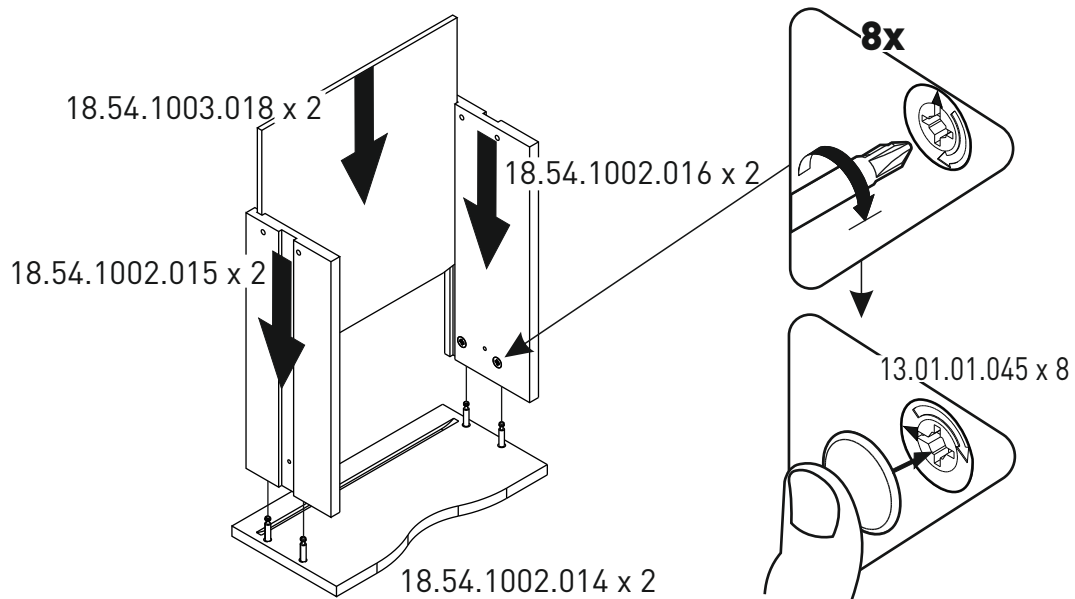
23



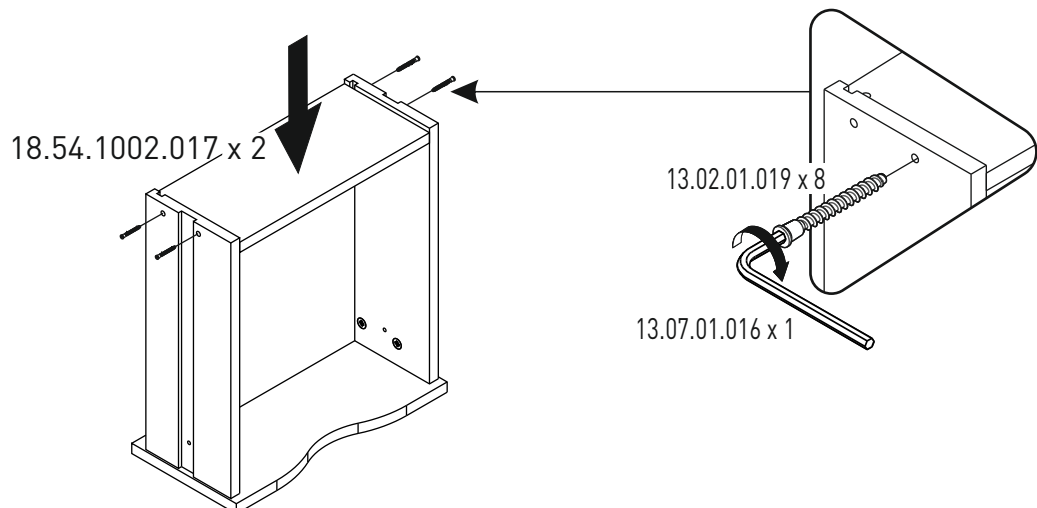
24



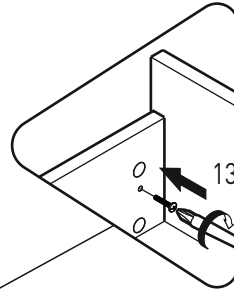
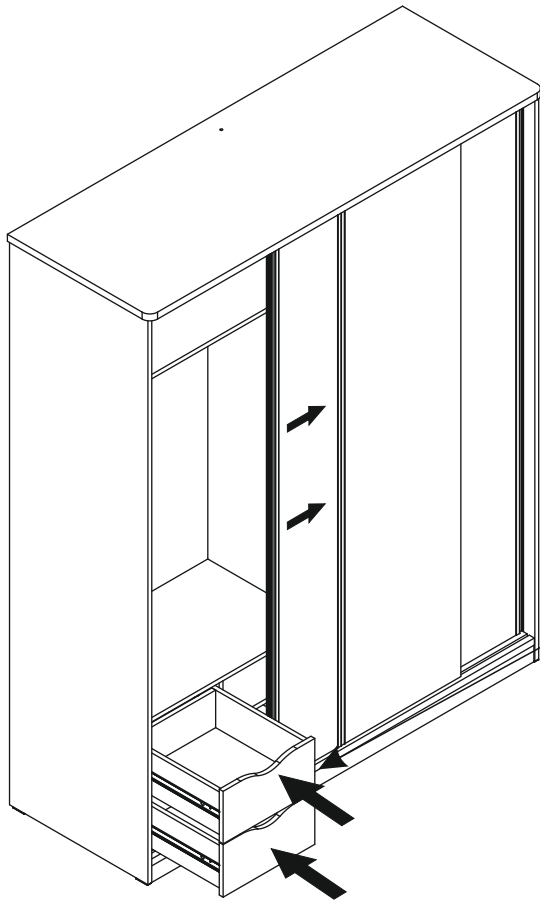
25



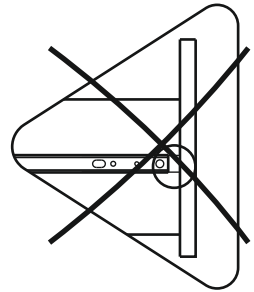
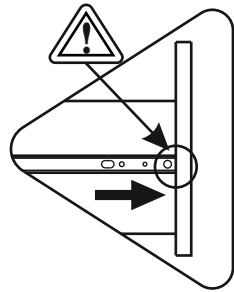
26



27

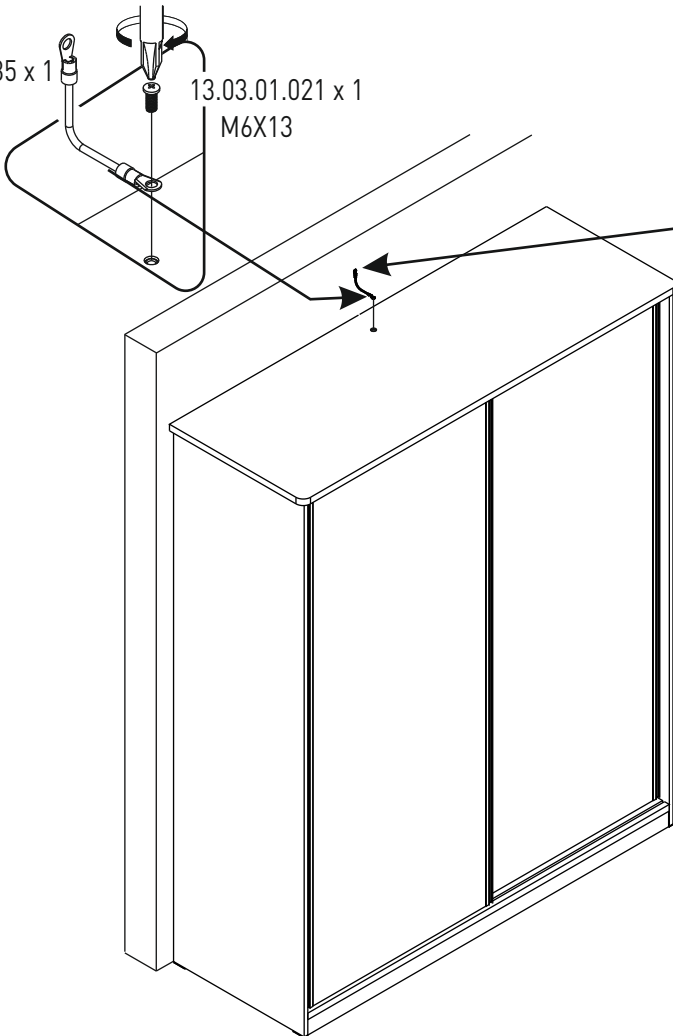


13.03.01.007 x 4
M4X13

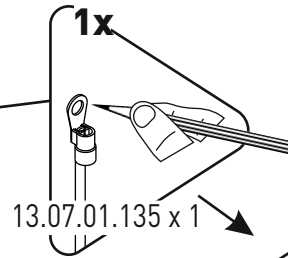


13.07.01.135 x 1

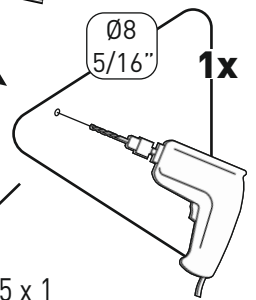
13.03.01.021 x 1
M6X13



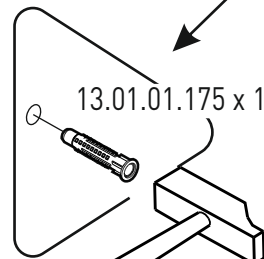
28



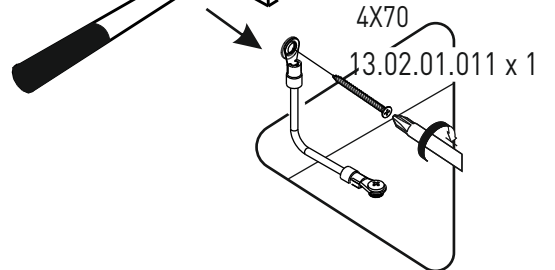
1x
13.07.01.135 x 1



1x



13.01.01.175 x 1



4X70
13.02.01.011 x 1

