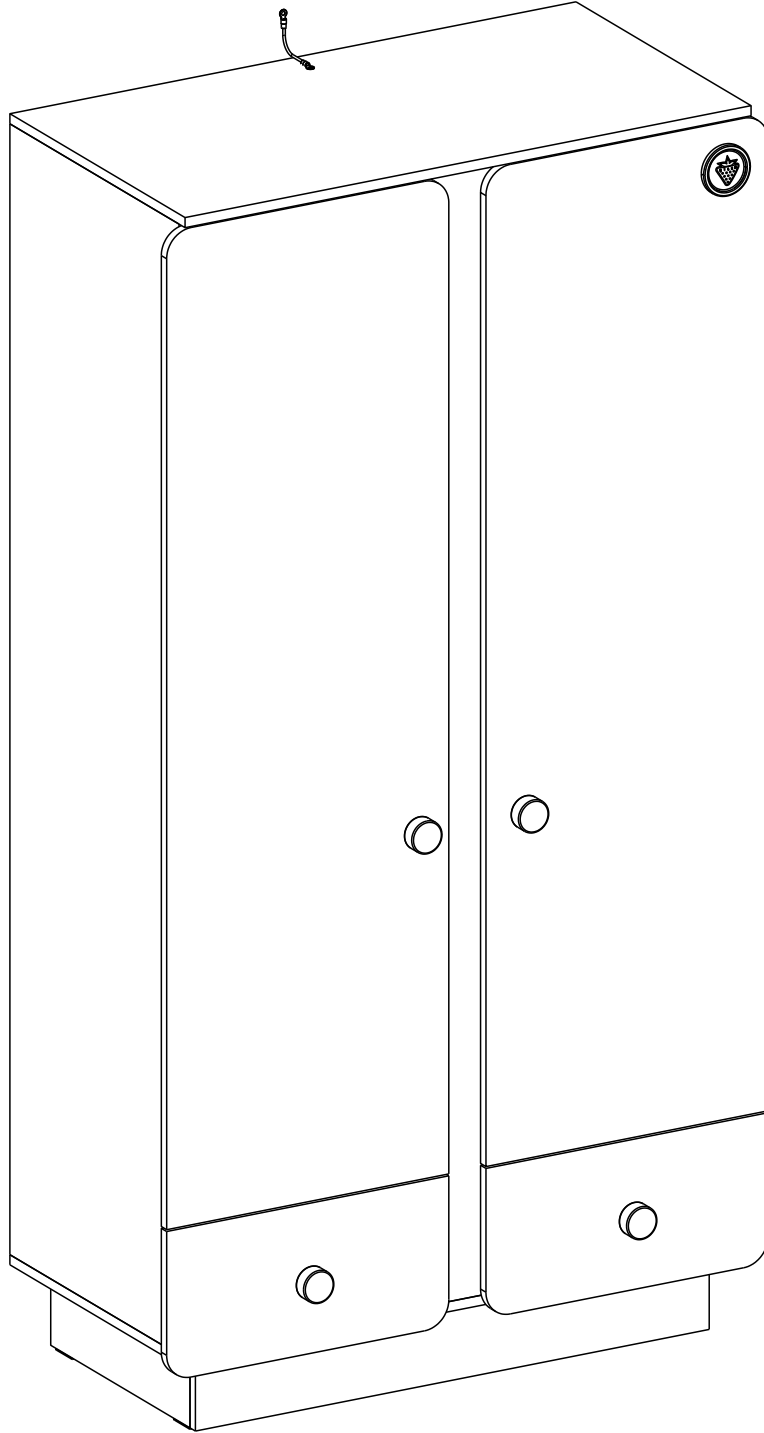
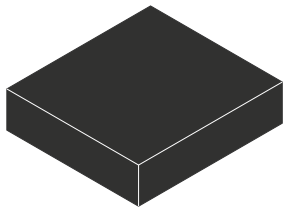
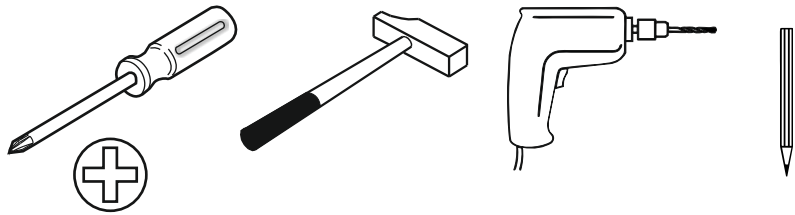
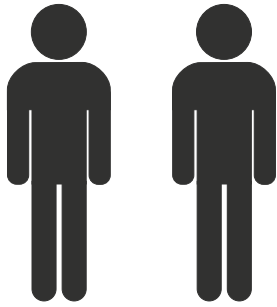
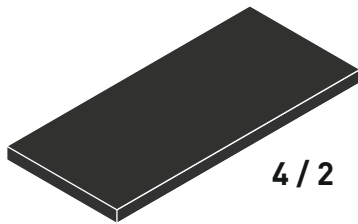


# 20.31.1001.01

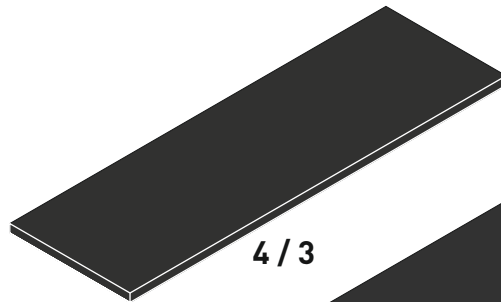




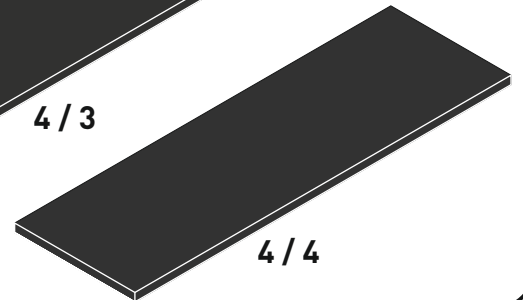
4 / 1



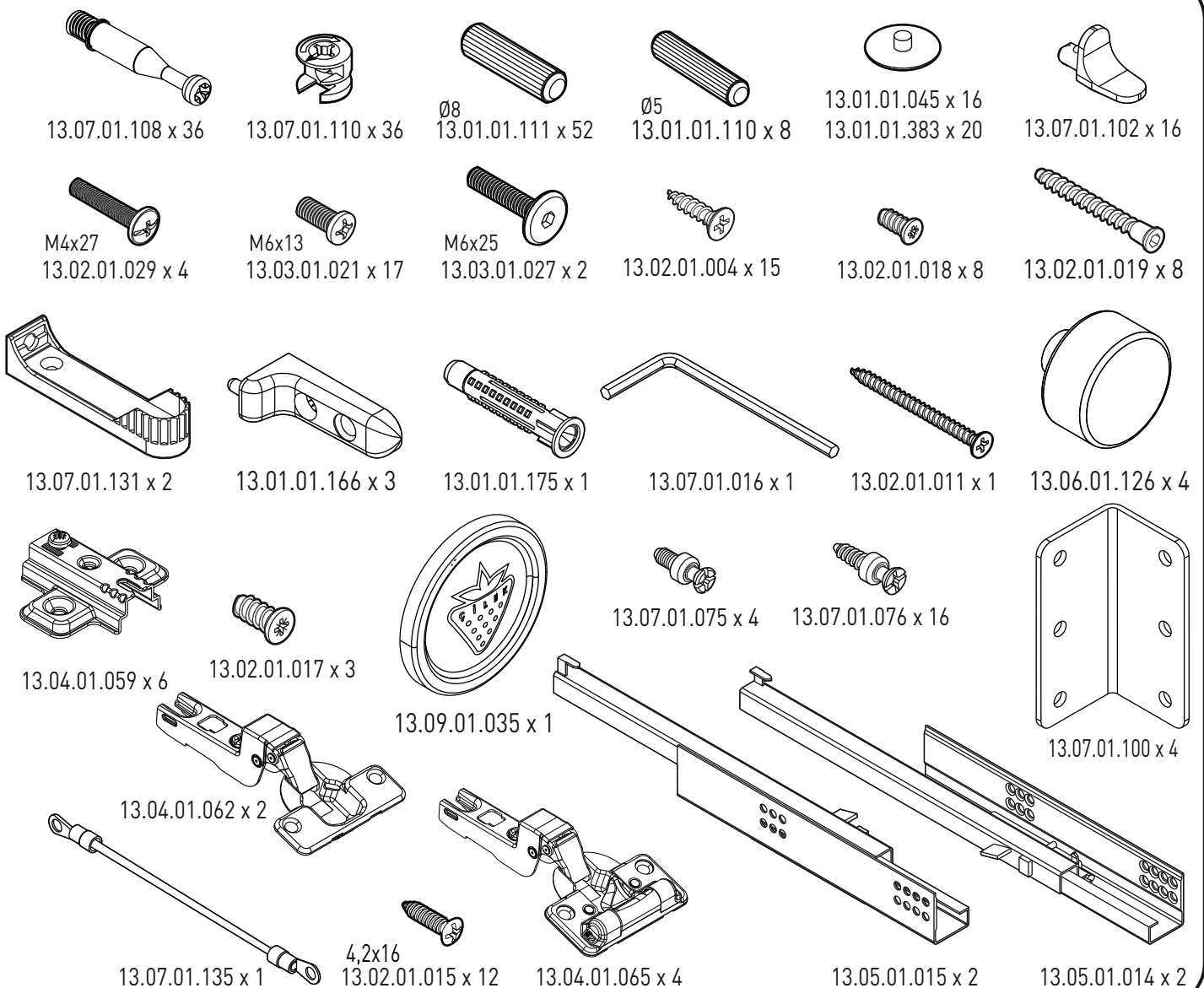
4 / 2



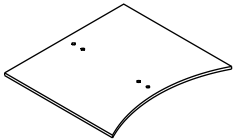
4 / 3



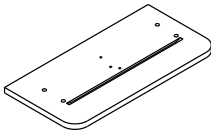
4 / 4



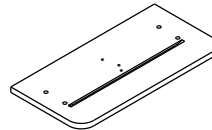
4/1



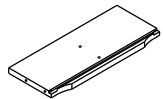
18.31.1001.010 x 4



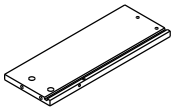
18.31.1001.071 x 1



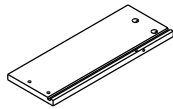
18.31.1001.070 x 1



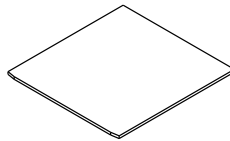
18.31.1001.074 x 2



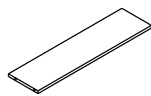
18.31.1001.072 x 2



18.31.1001.073 x 2

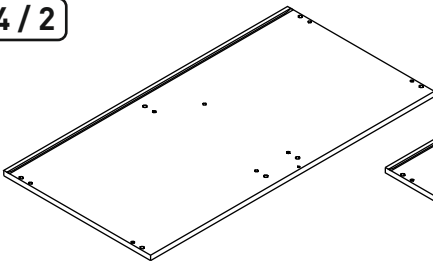


18.31.1001.075 x 2

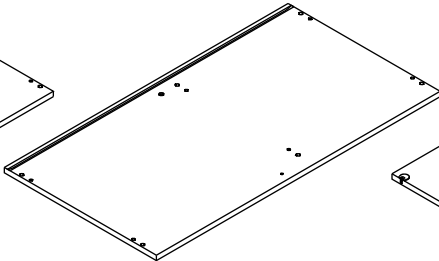


18.31.1001.078 x 2

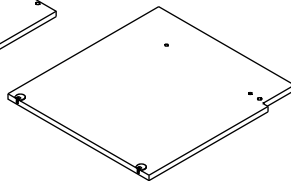
4/2



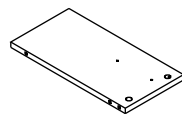
18.31.1001.004 x 1



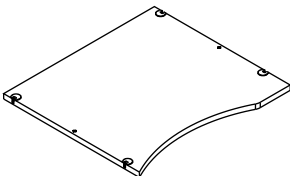
18.31.1001.003 x 1



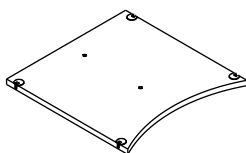
18.31.1001.008 x 1



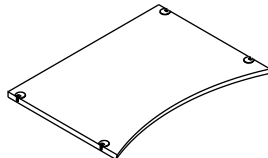
18.31.1001.079 x 1



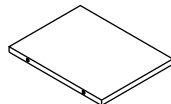
18.31.1001.007 x 1



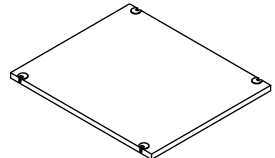
18.31.1001.009 x 1



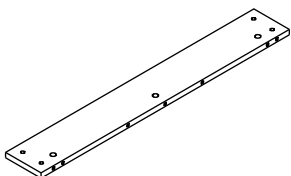
18.31.1001.019 x 1



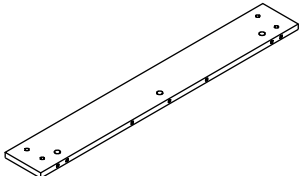
18.31.1001.012 x 5



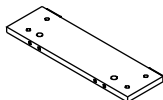
18.31.1001.011 x 1



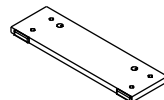
18.31.1001.014 x 1



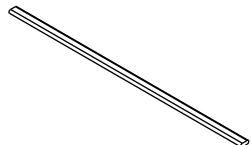
18.31.1001.013 x 1



18.31.1001.015 x 1

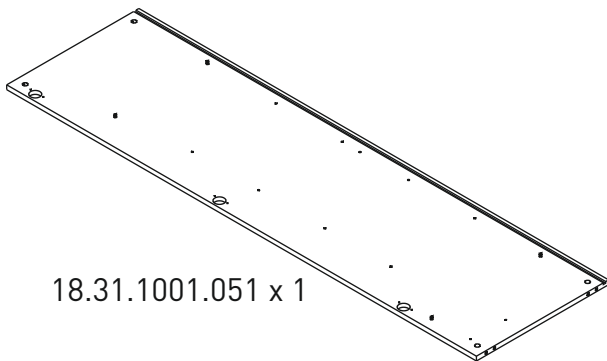


18.31.1001.016 x 1

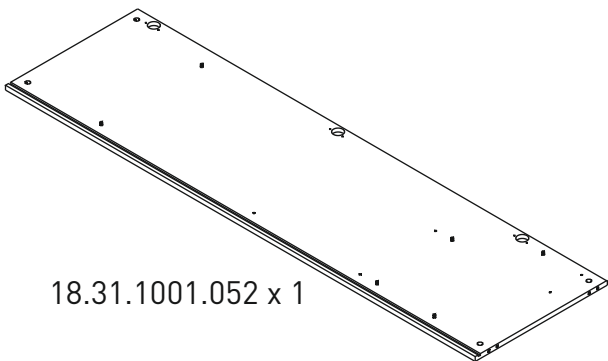


18.31.1001.201 x 1

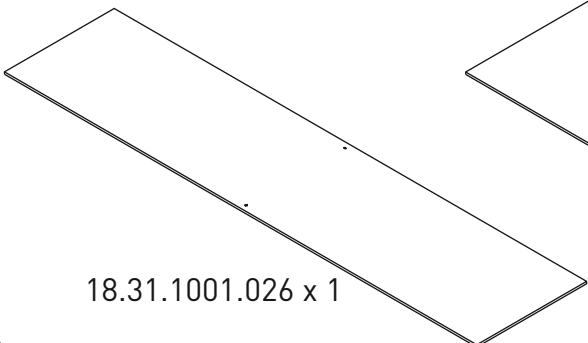
4/3



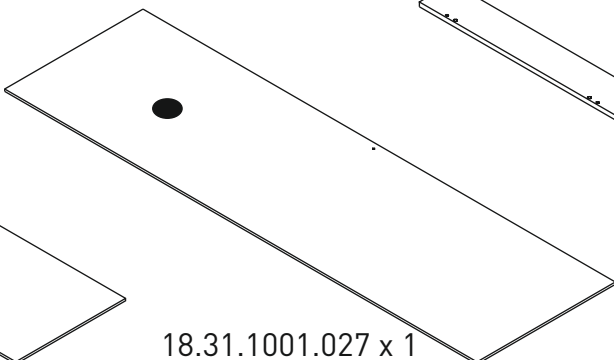
18.31.1001.051 x 1



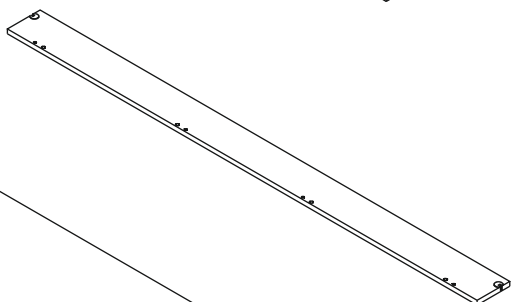
18.31.1001.052 x 1



18.31.1001.026 x 1

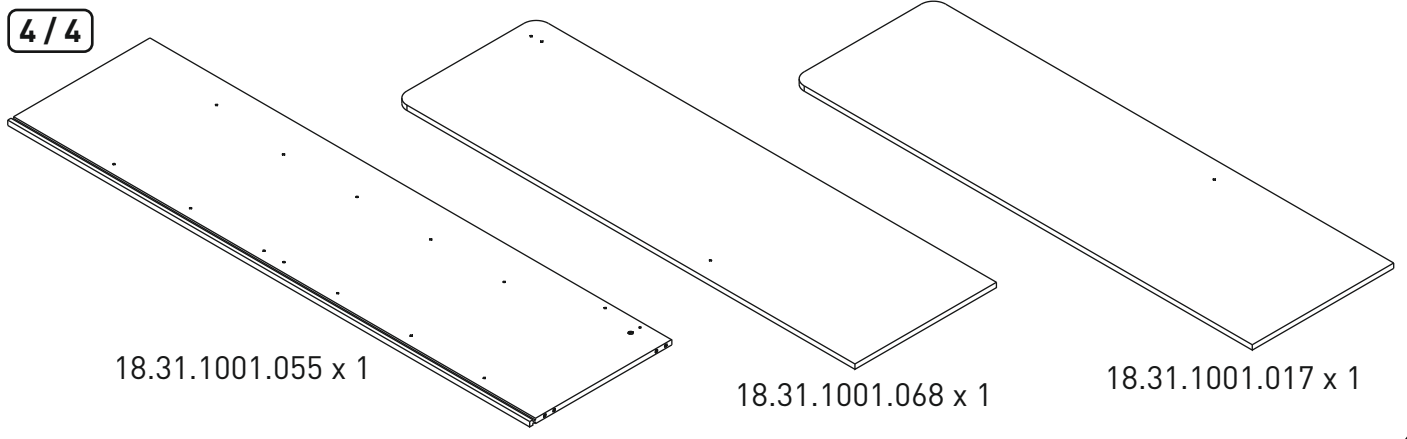


18.31.1001.027 x 1

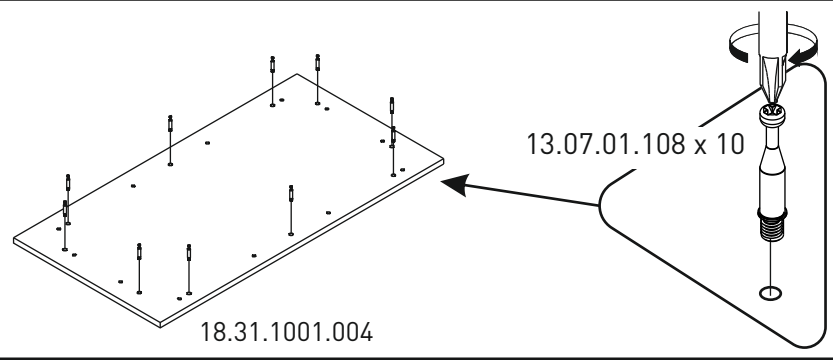


18.31.1001.006 x 1

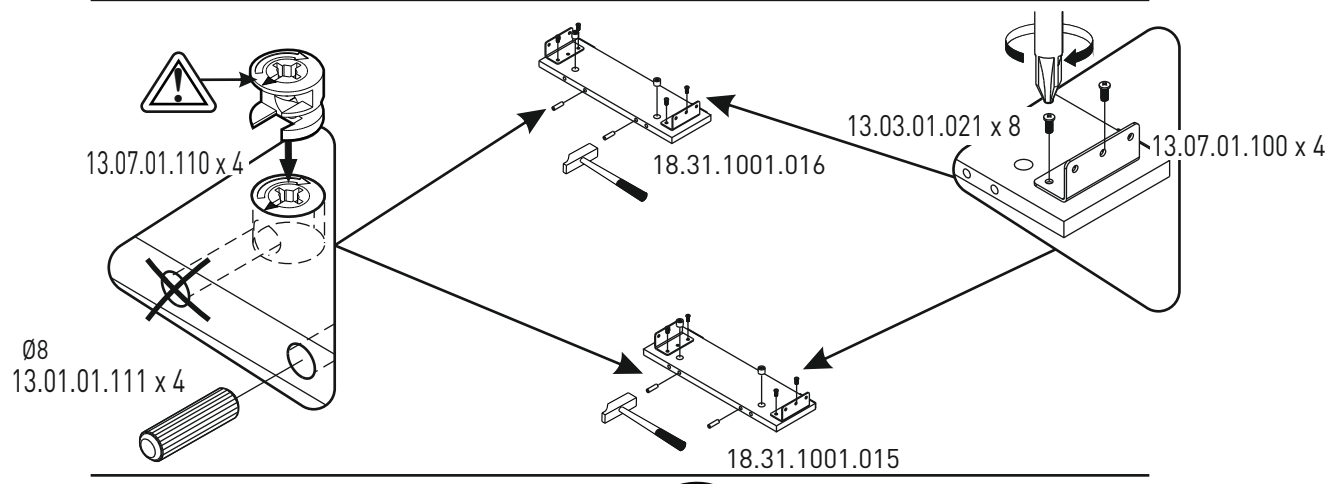
4/4



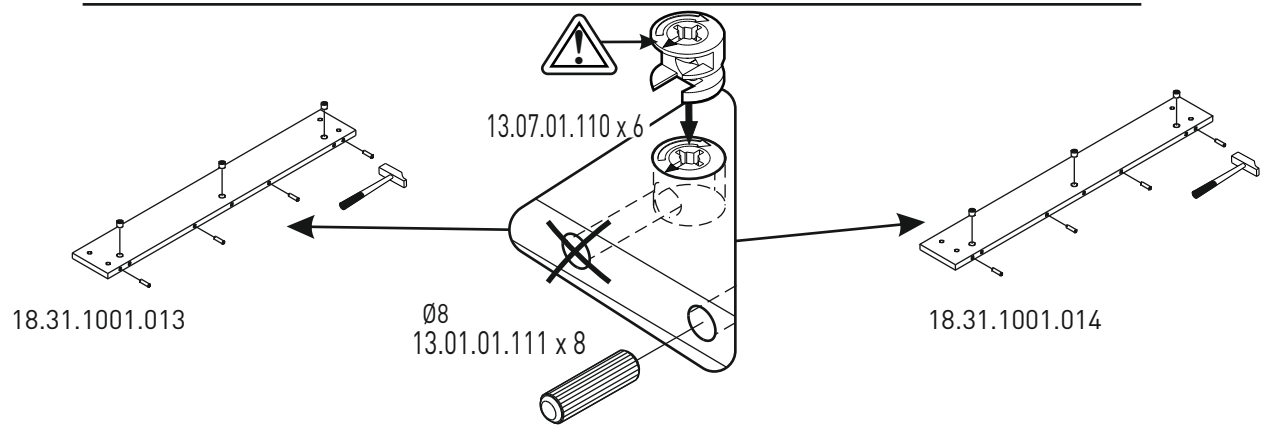
1



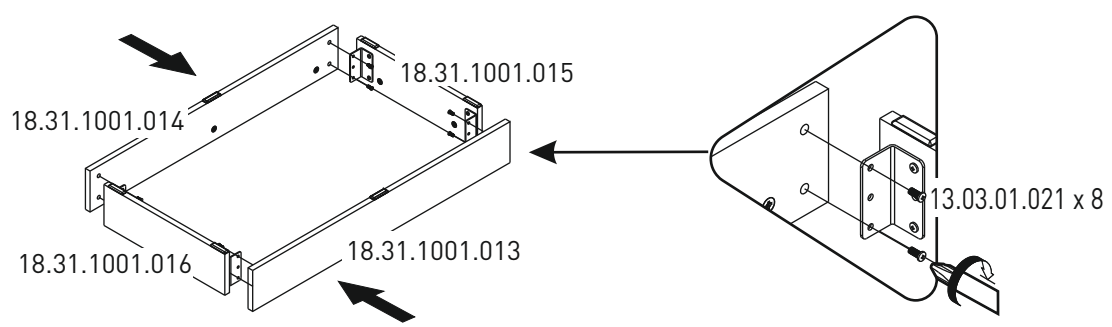
2



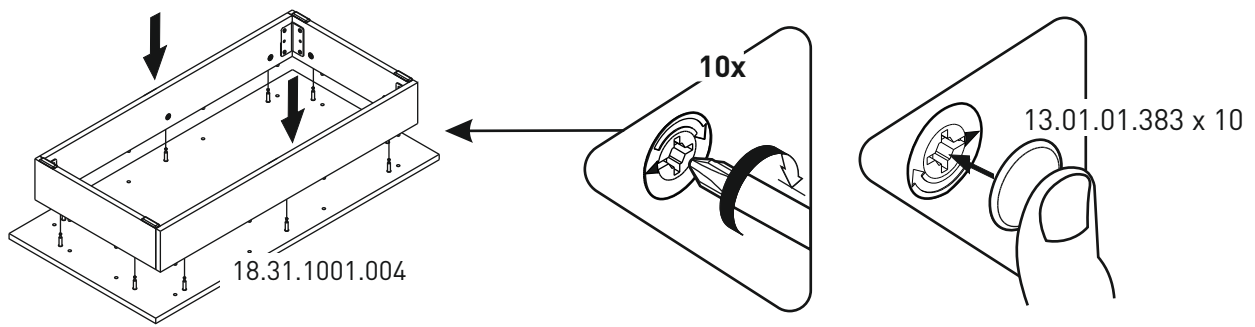
3



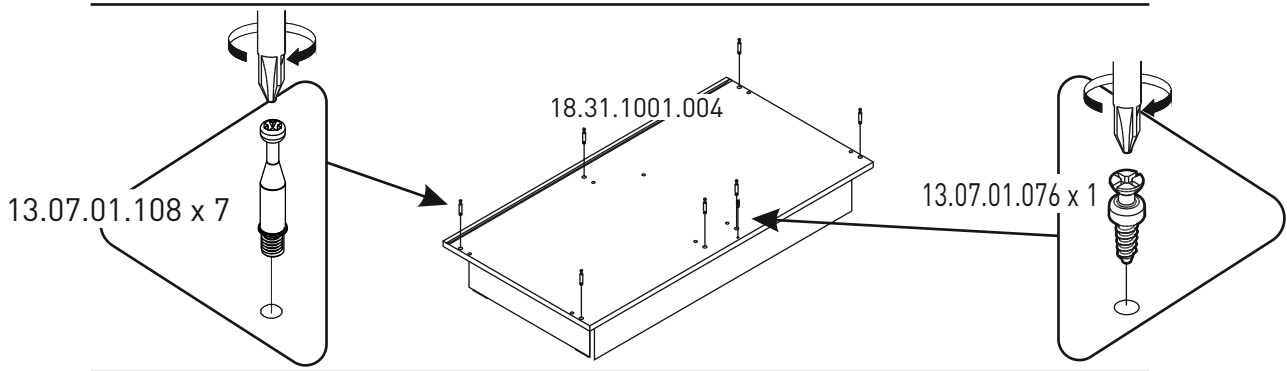
4



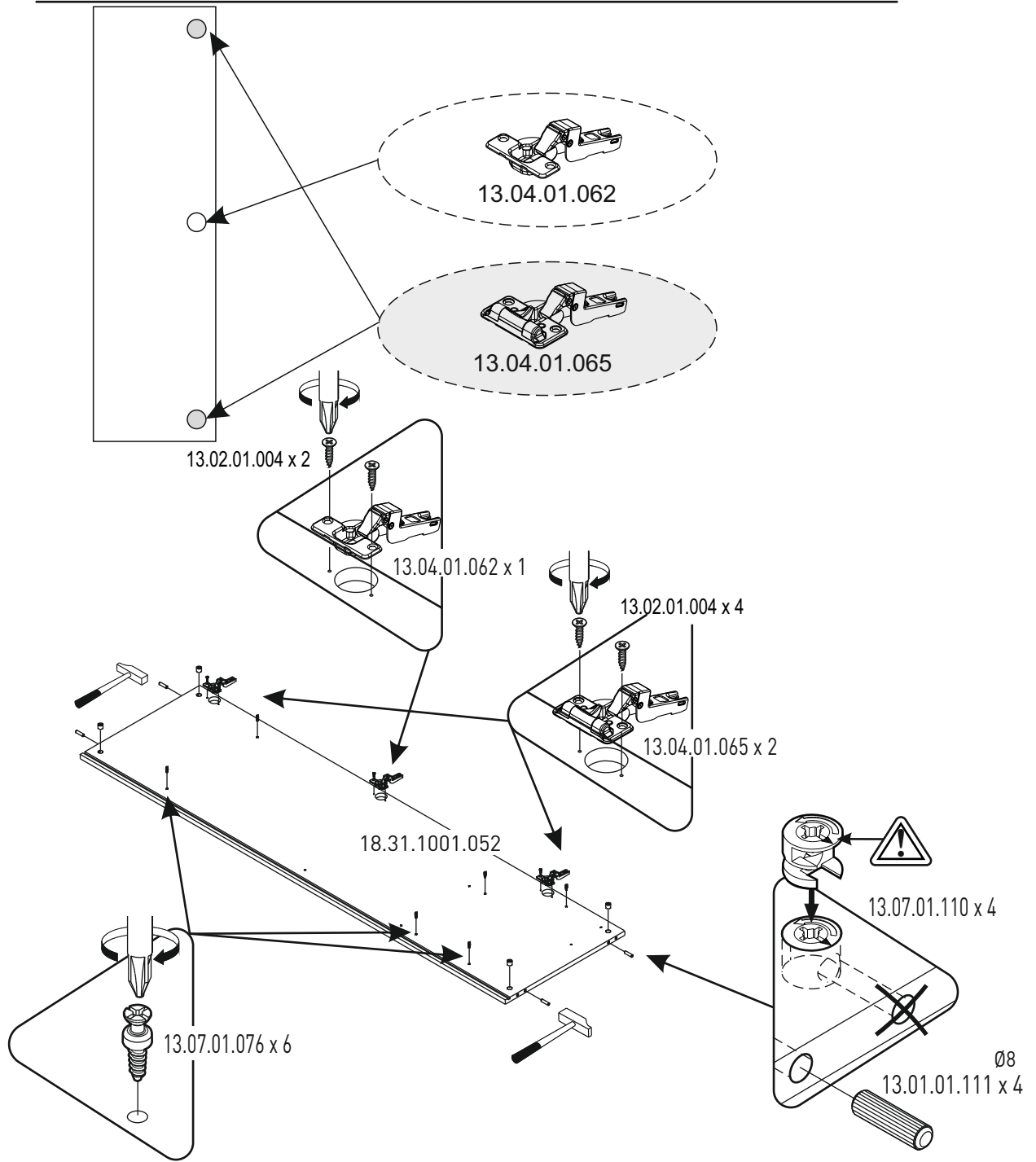
5



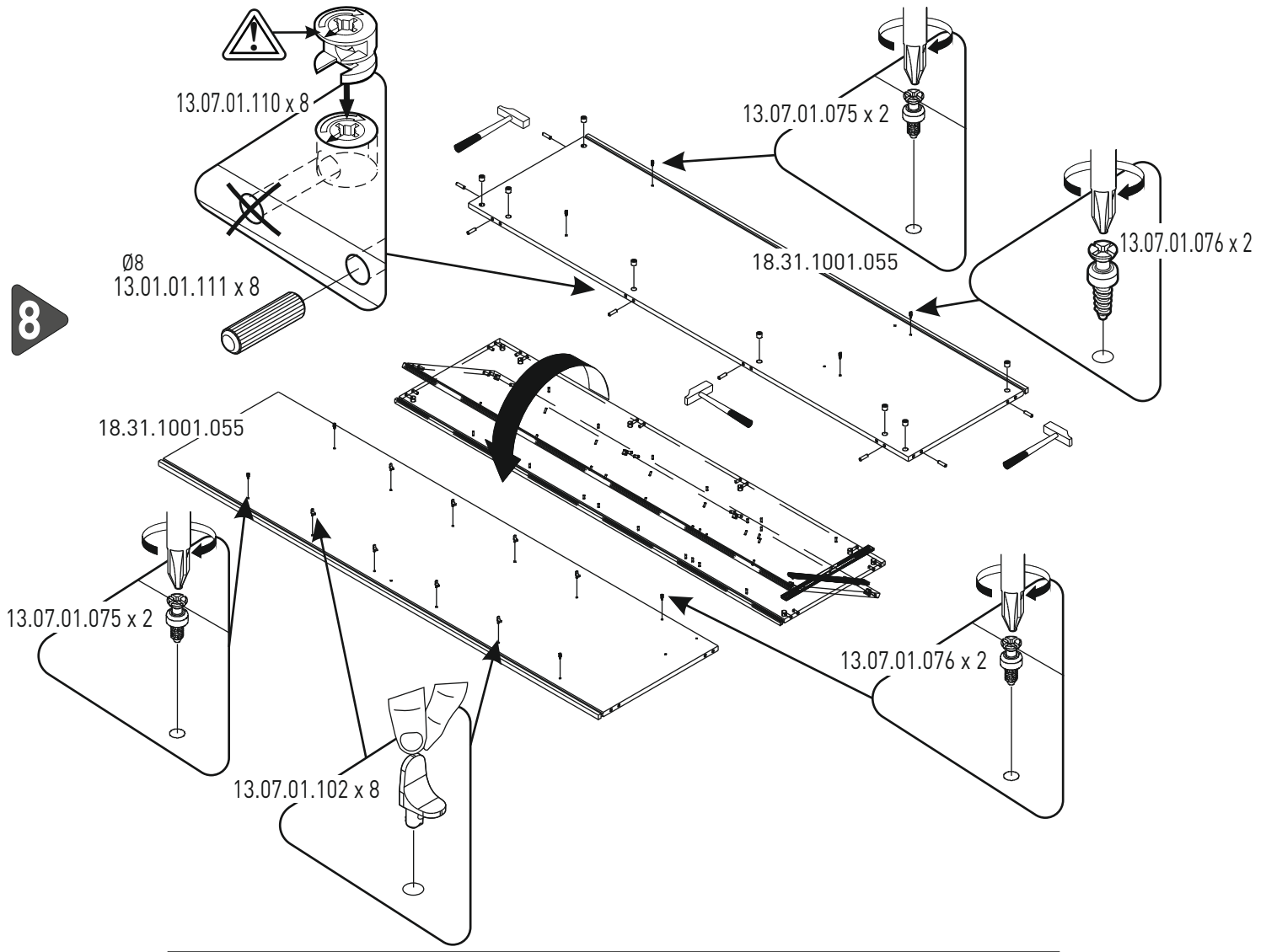
6



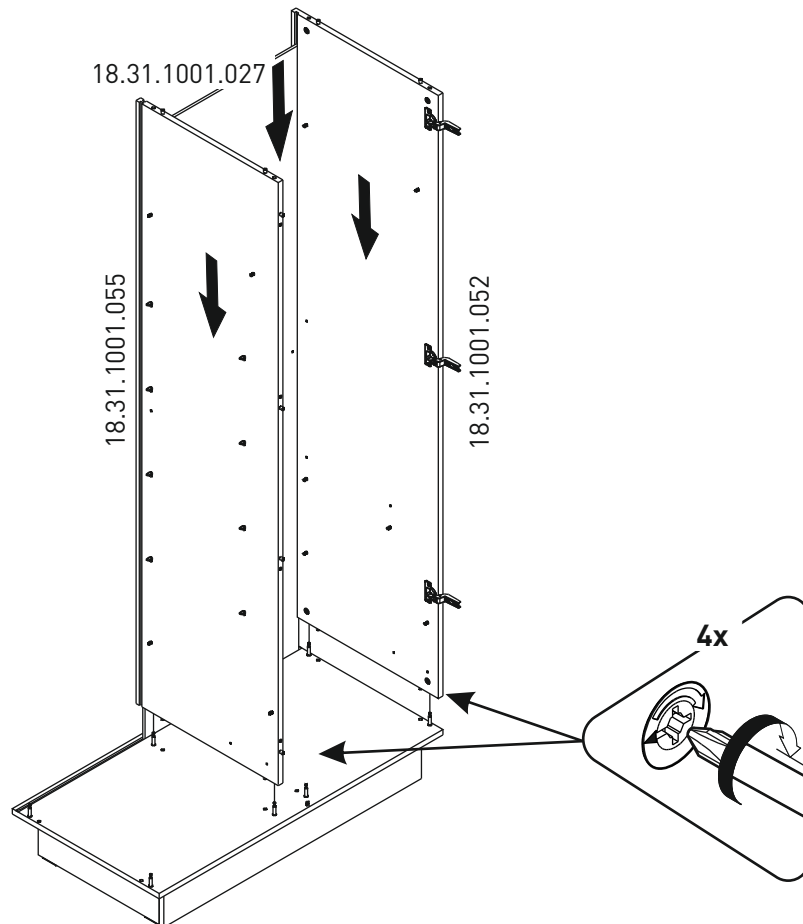
7



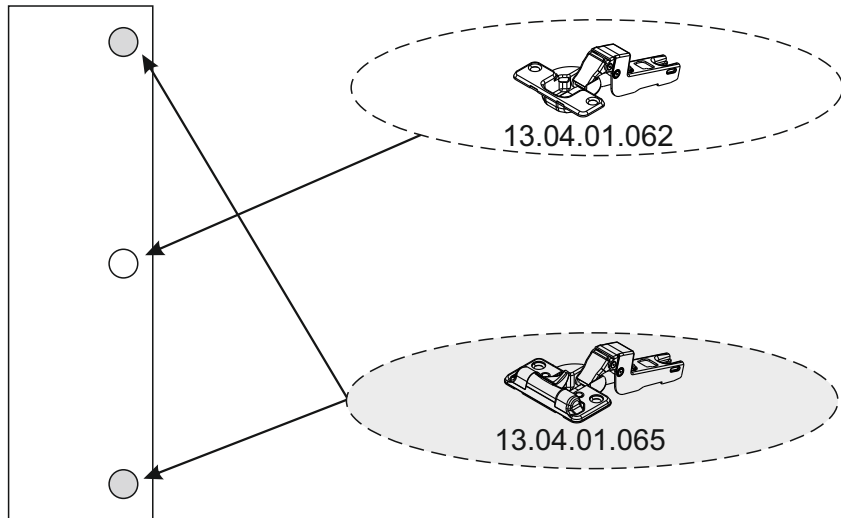
8



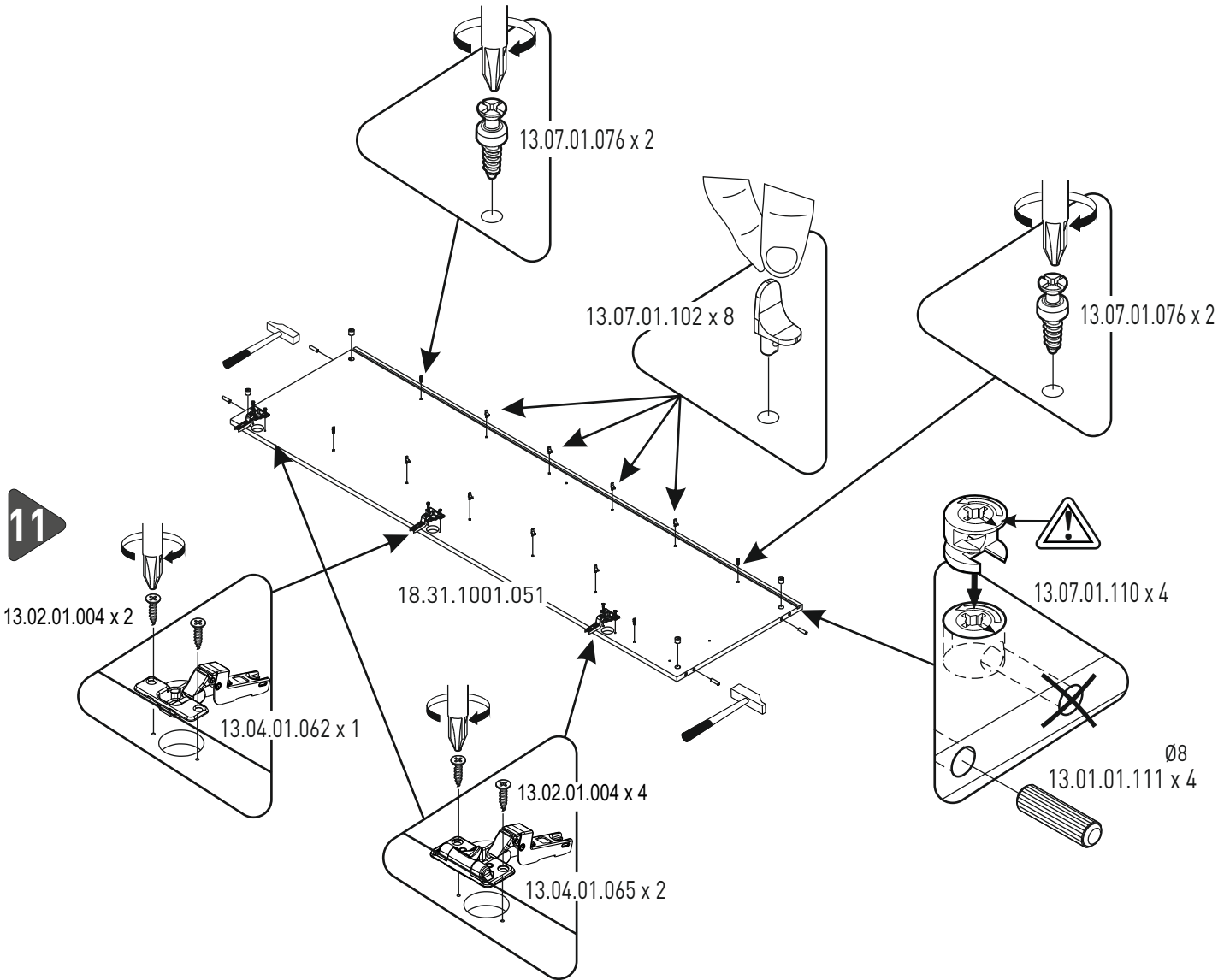
9



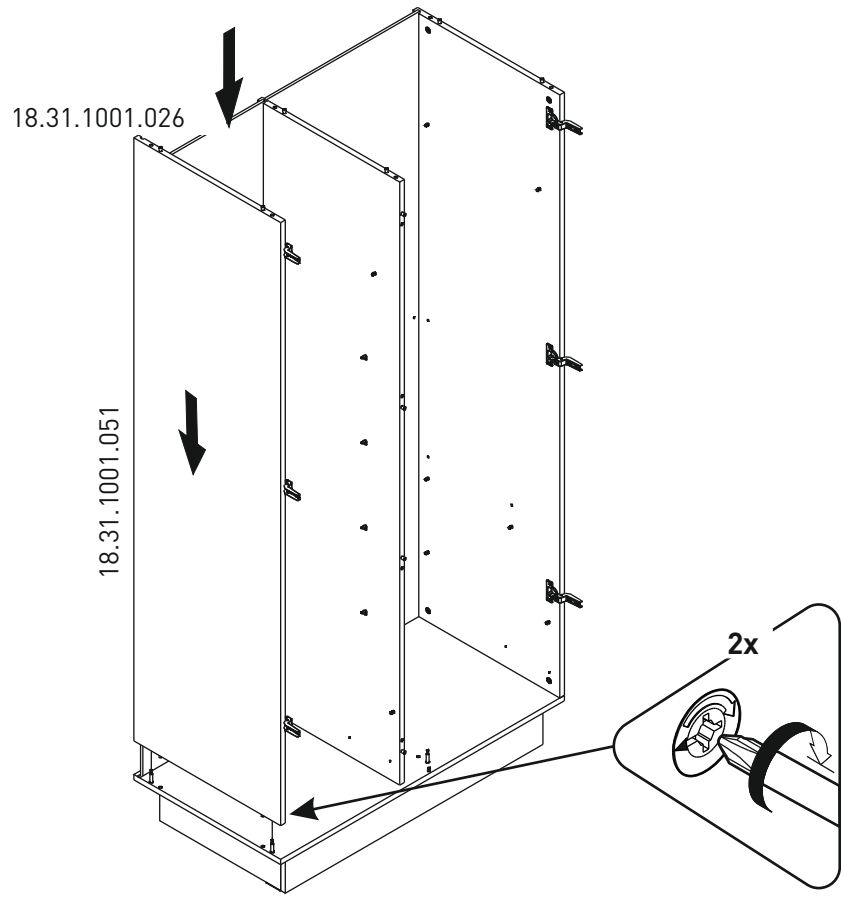
10



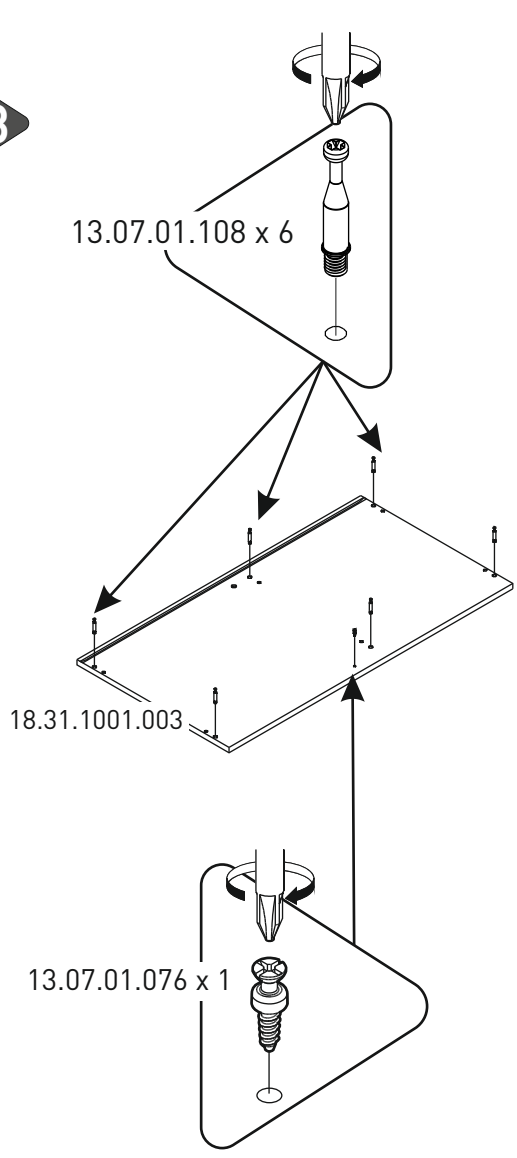
11



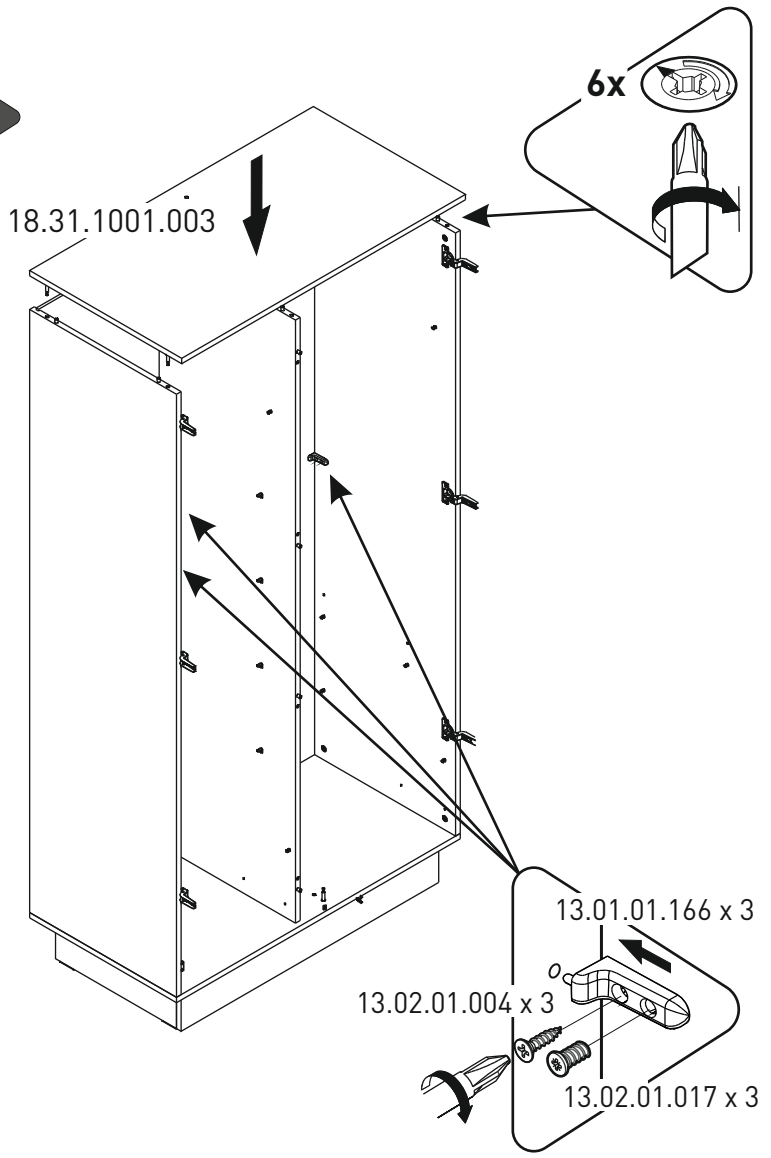
12



13

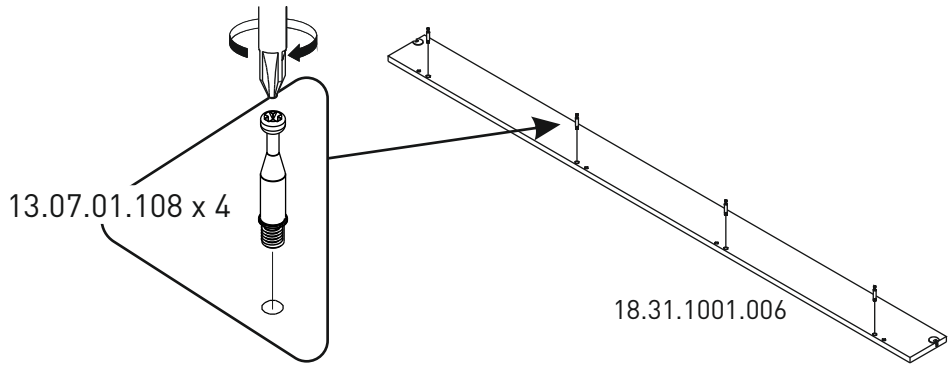


14

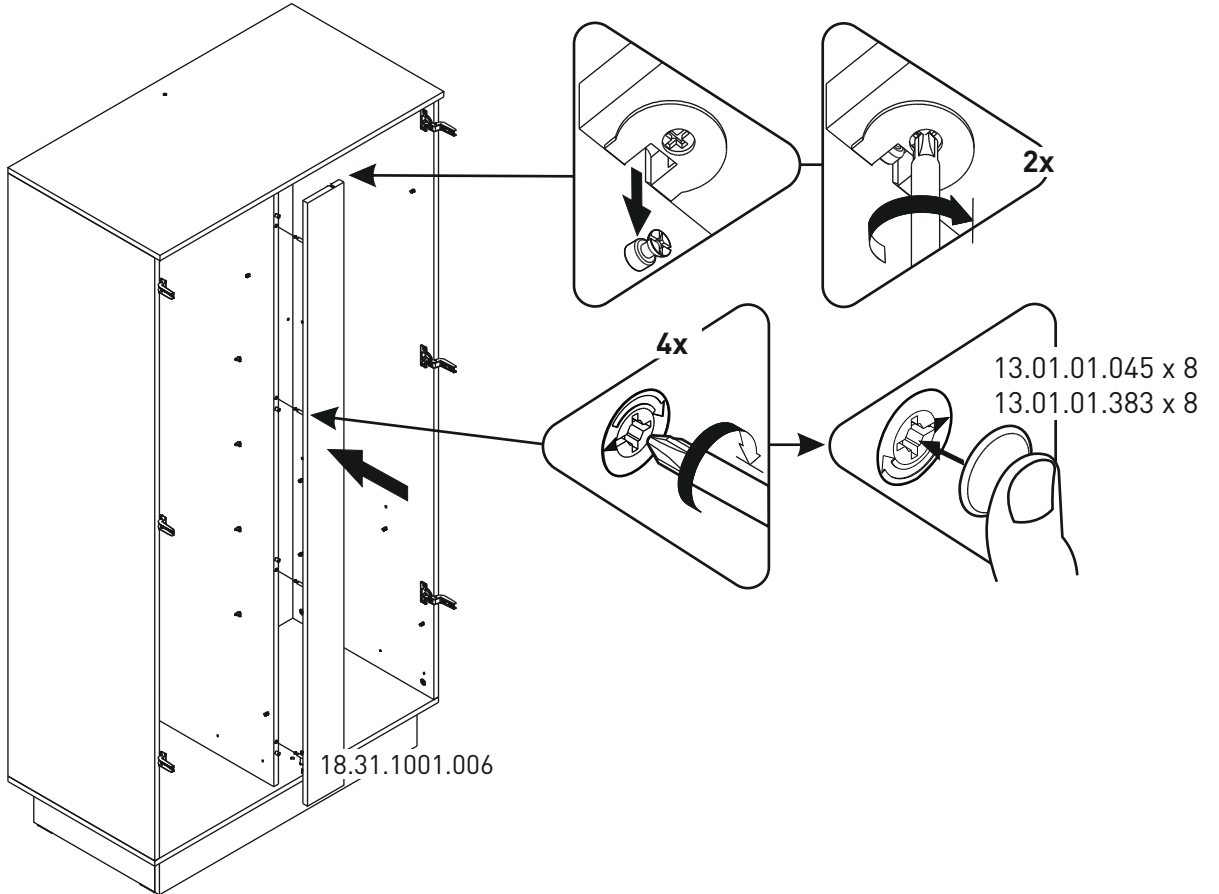




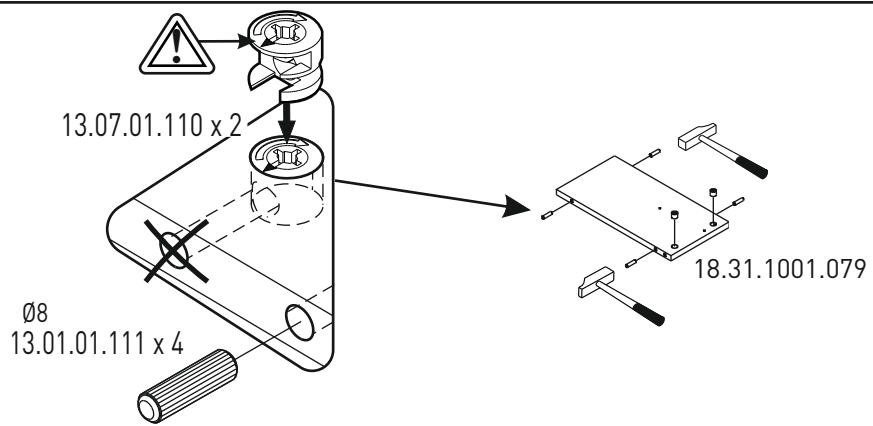
15



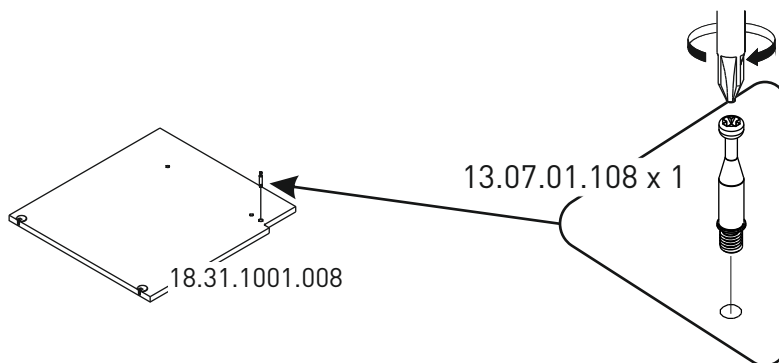
16



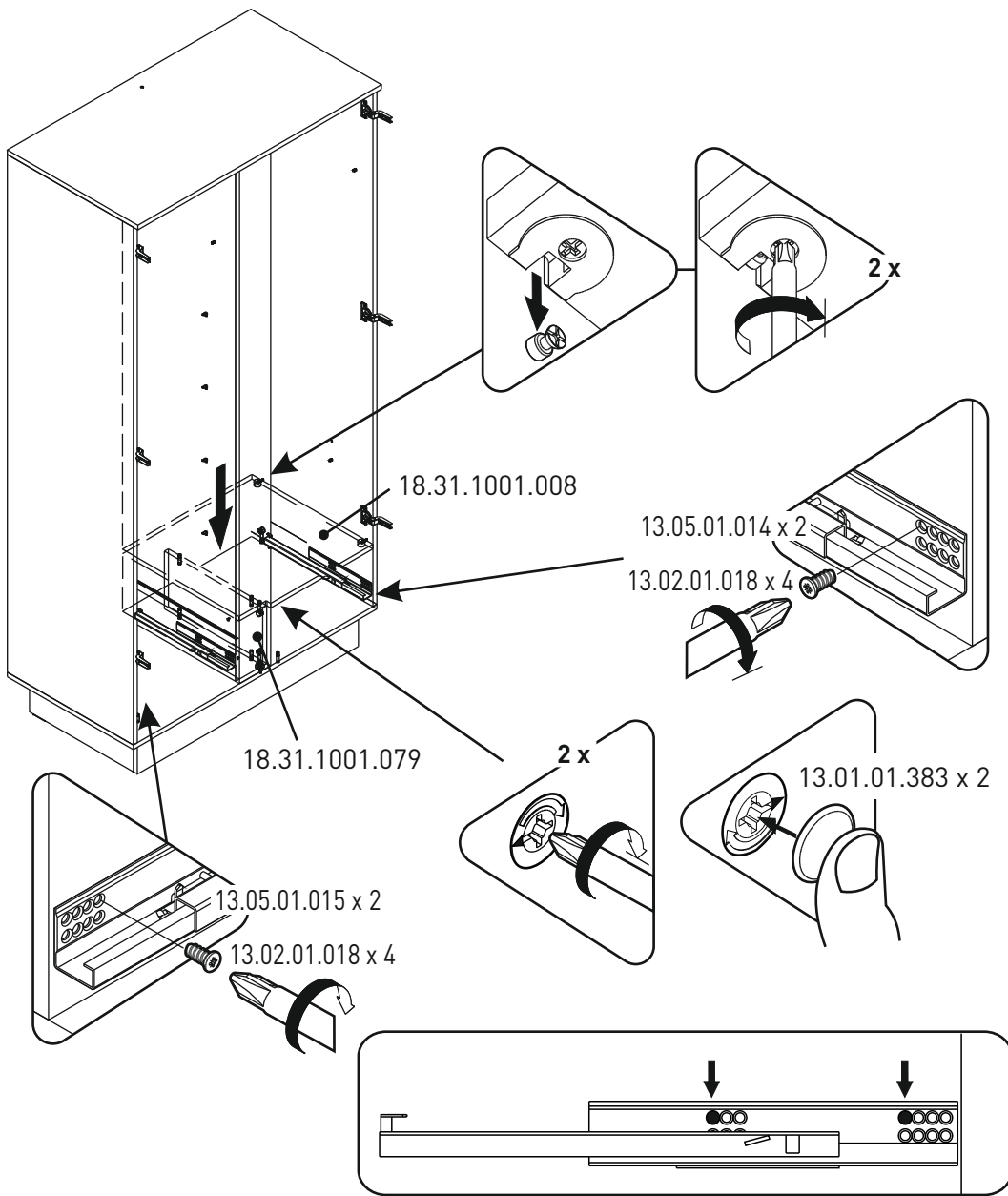
17



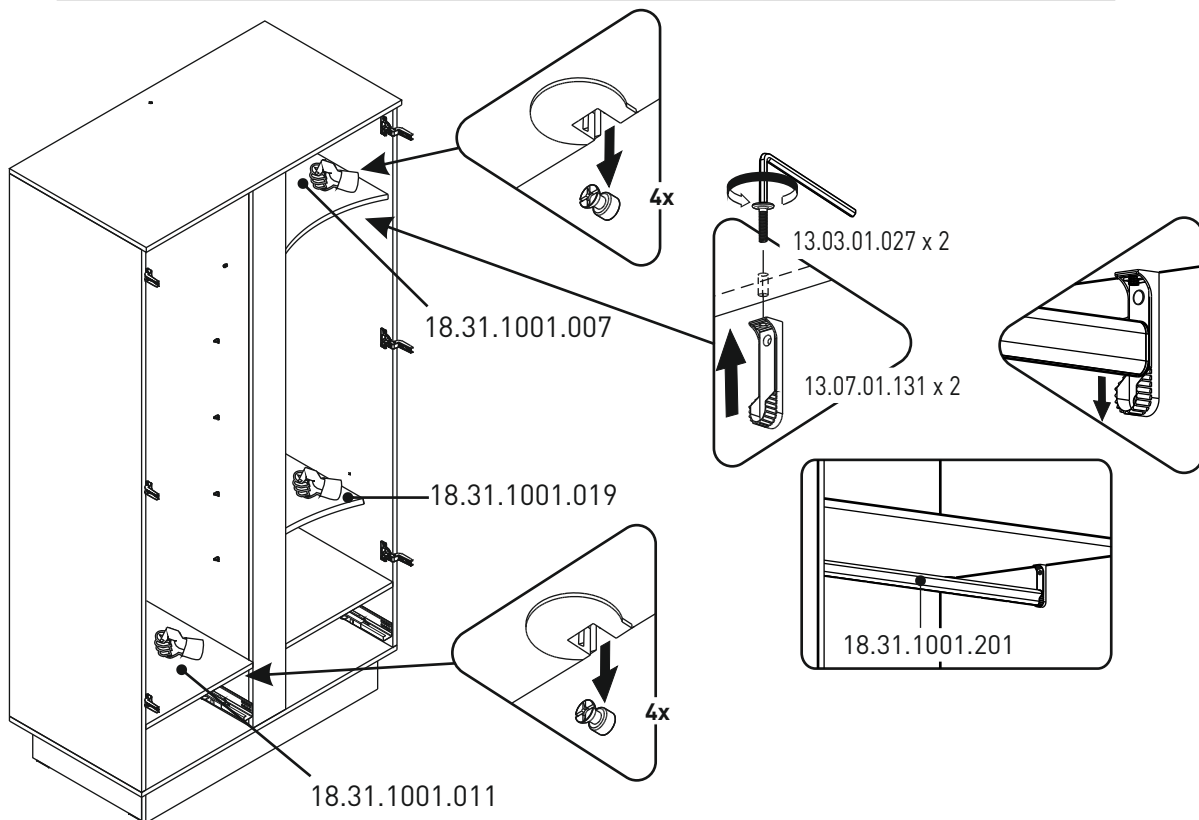
18



19

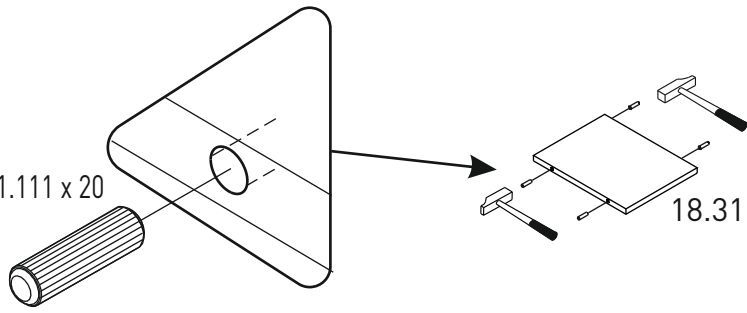


20



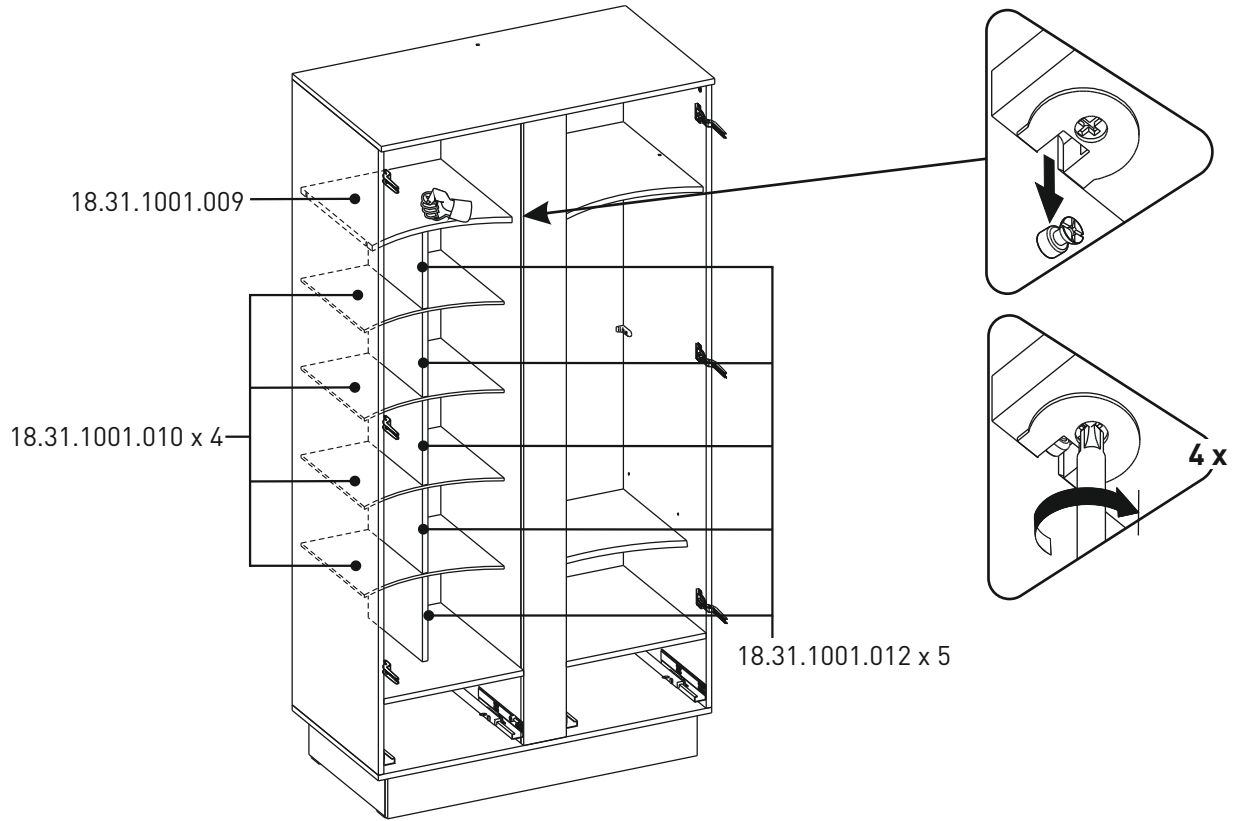
21

Ø8  
13.01.01.111 x 20



18.31.1001.012 x 5

22



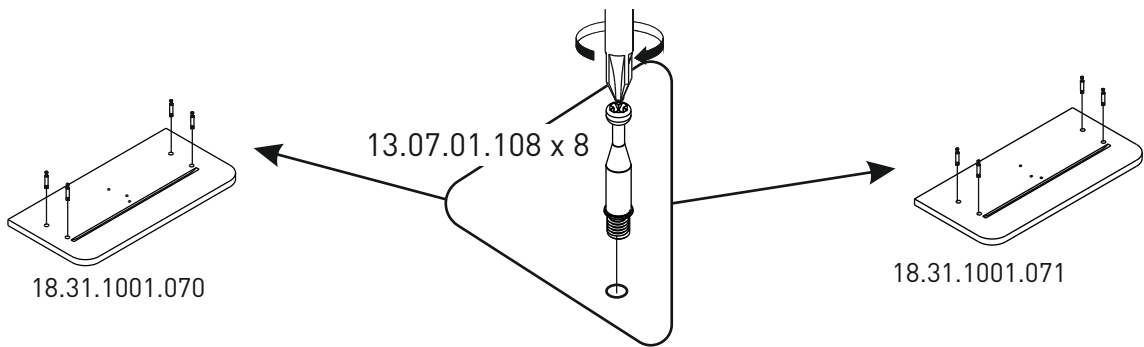
18.31.1001.009

18.31.1001.010 x 4

18.31.1001.012 x 5

4 x

23

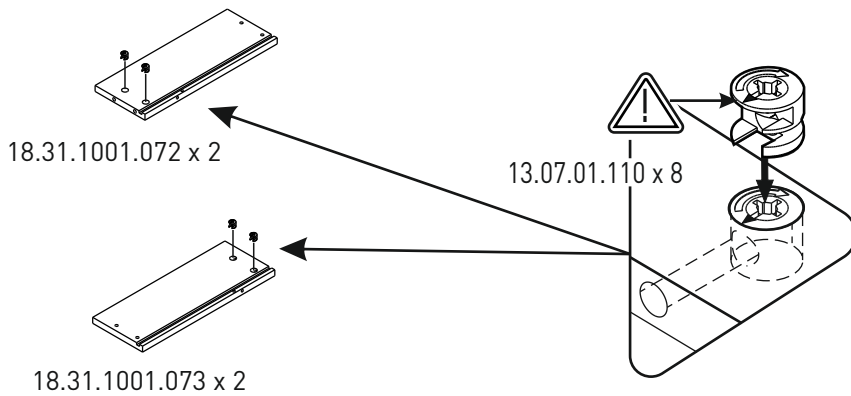


13.07.01.108 x 8

18.31.1001.070

18.31.1001.071

24

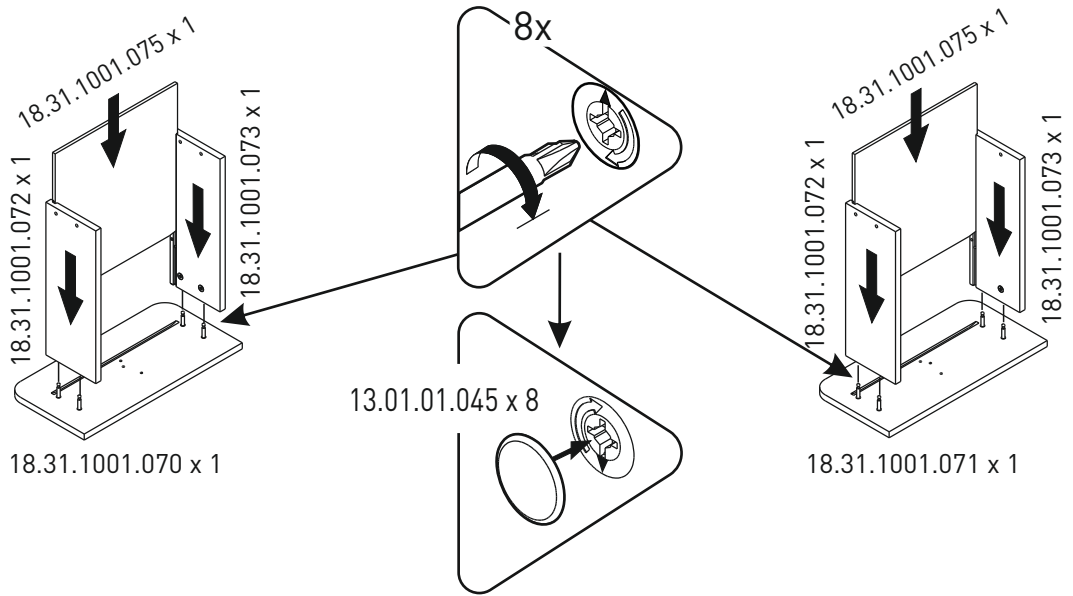


18.31.1001.072 x 2

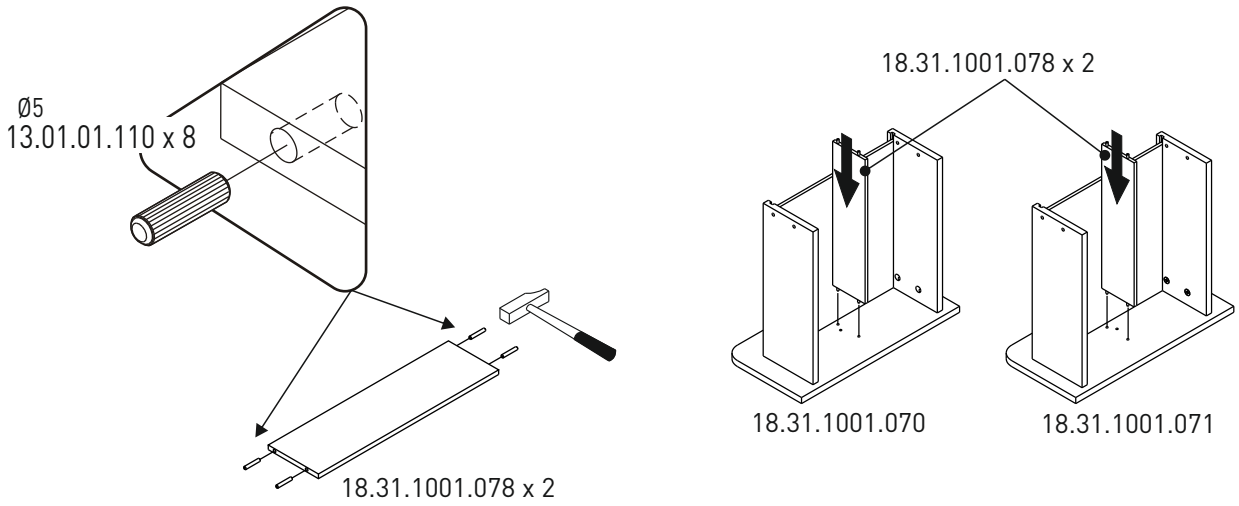
13.07.01.110 x 8

18.31.1001.073 x 2

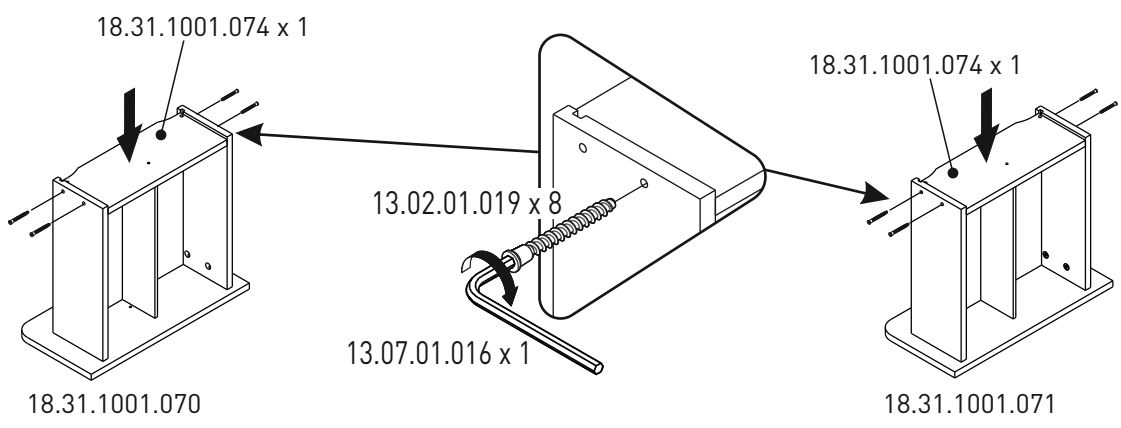
25



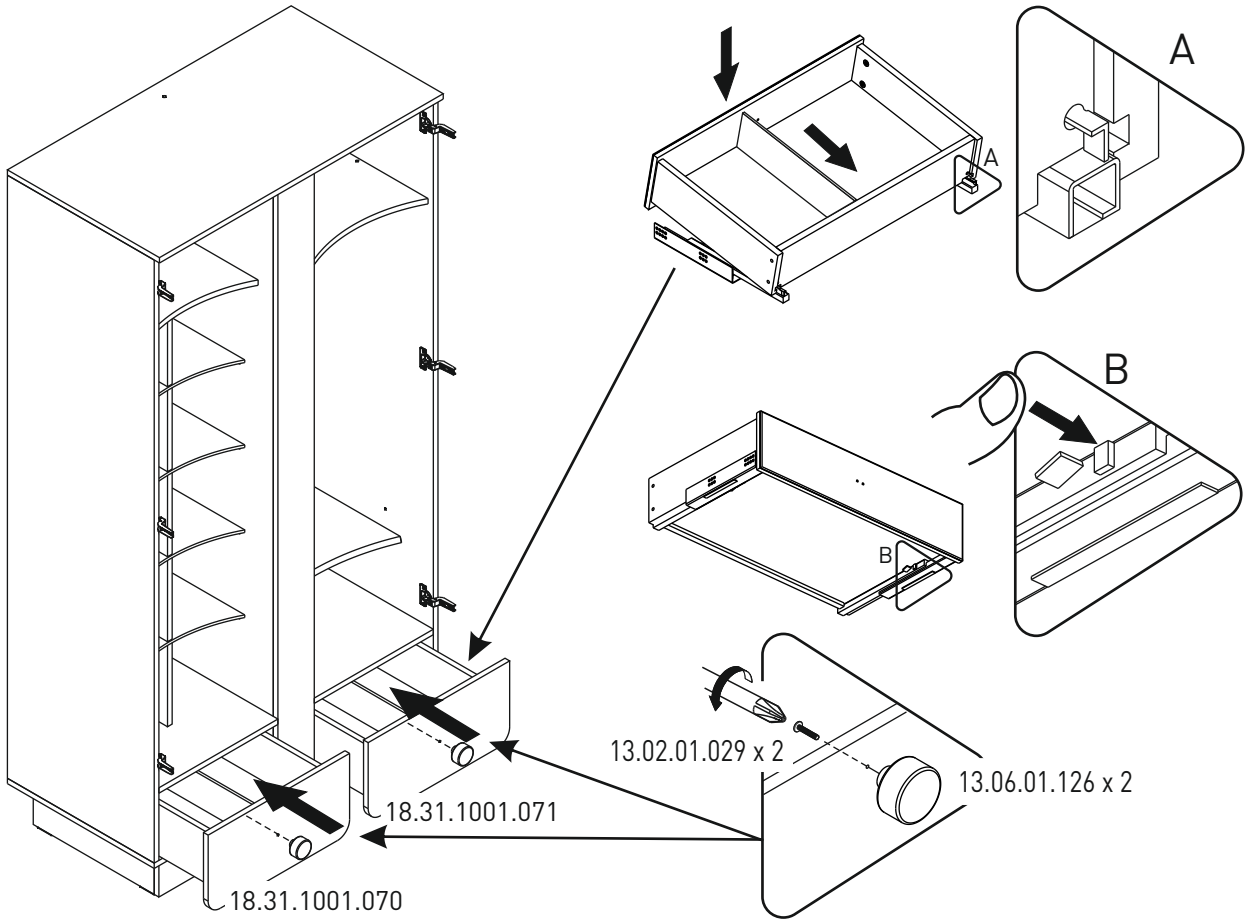
26



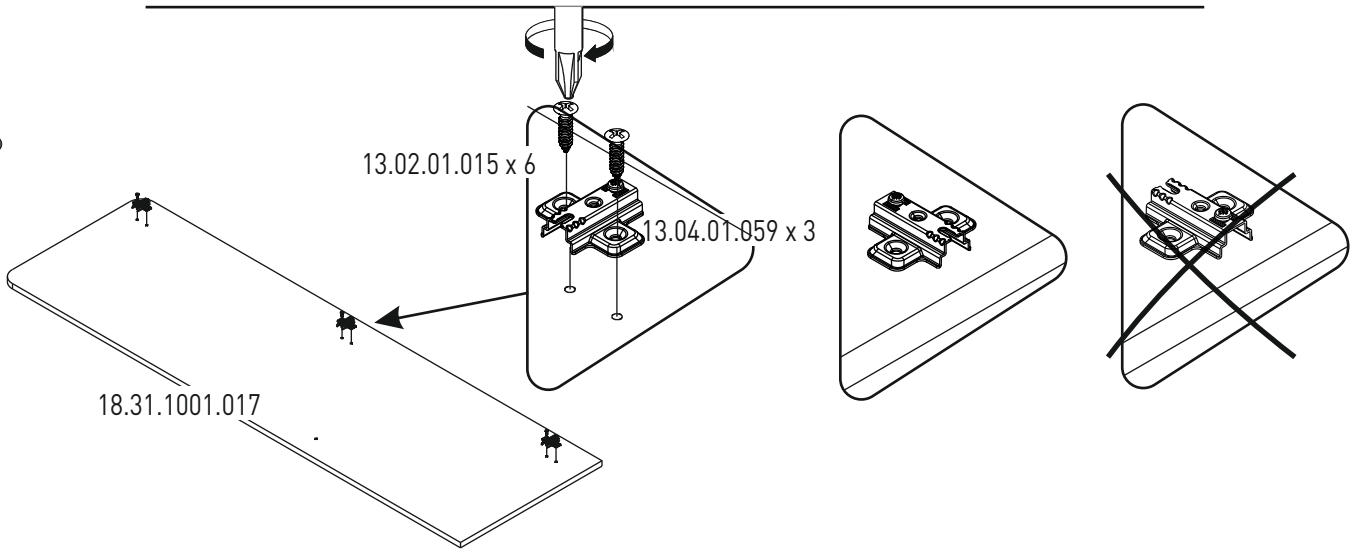
27



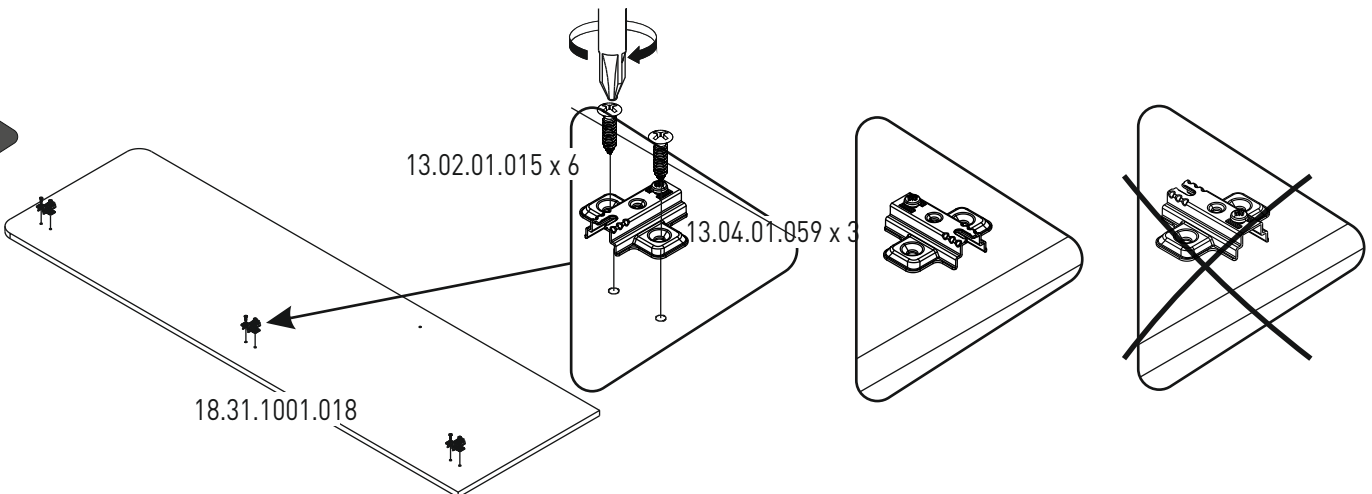
28



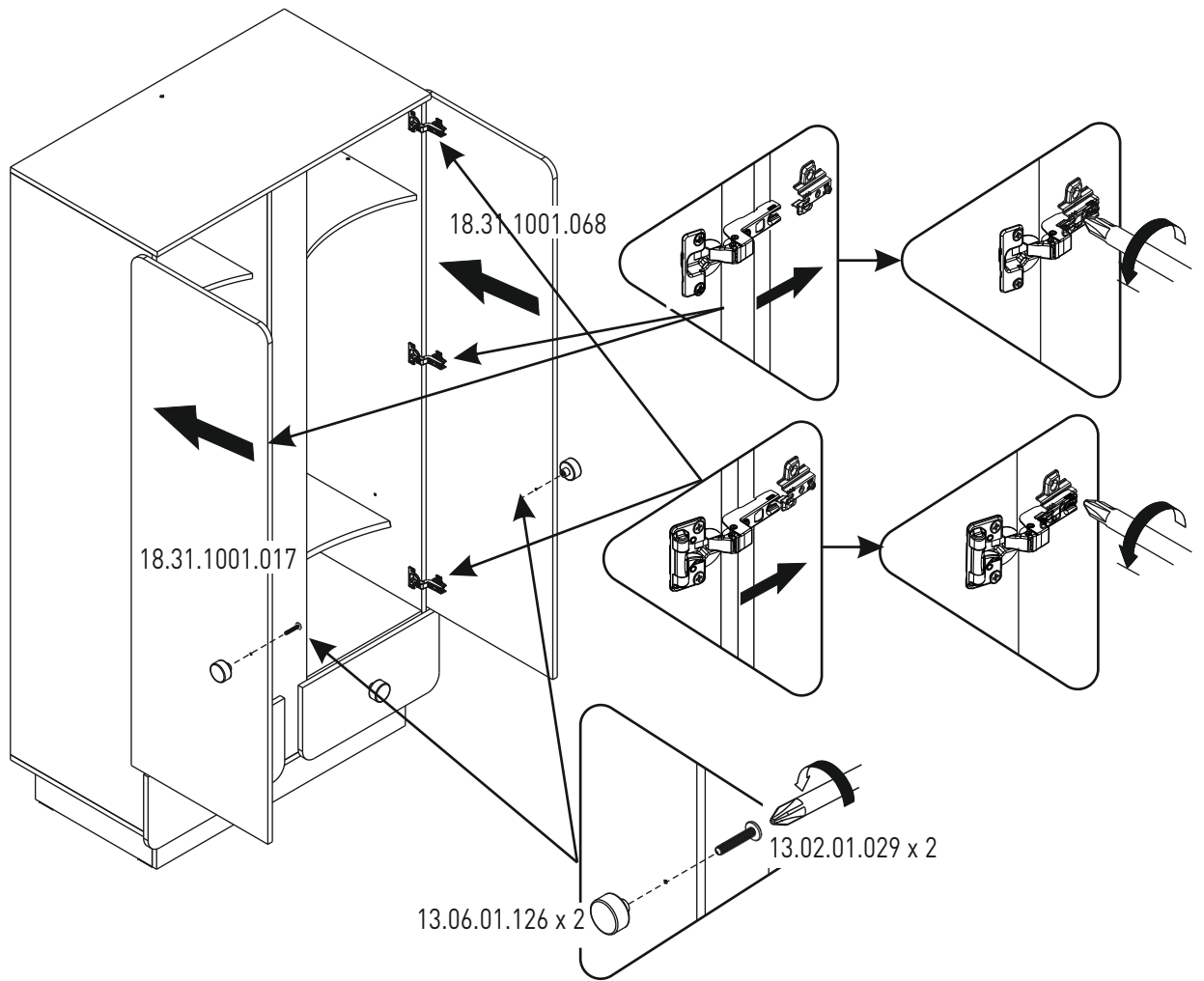
29



30



31



32

