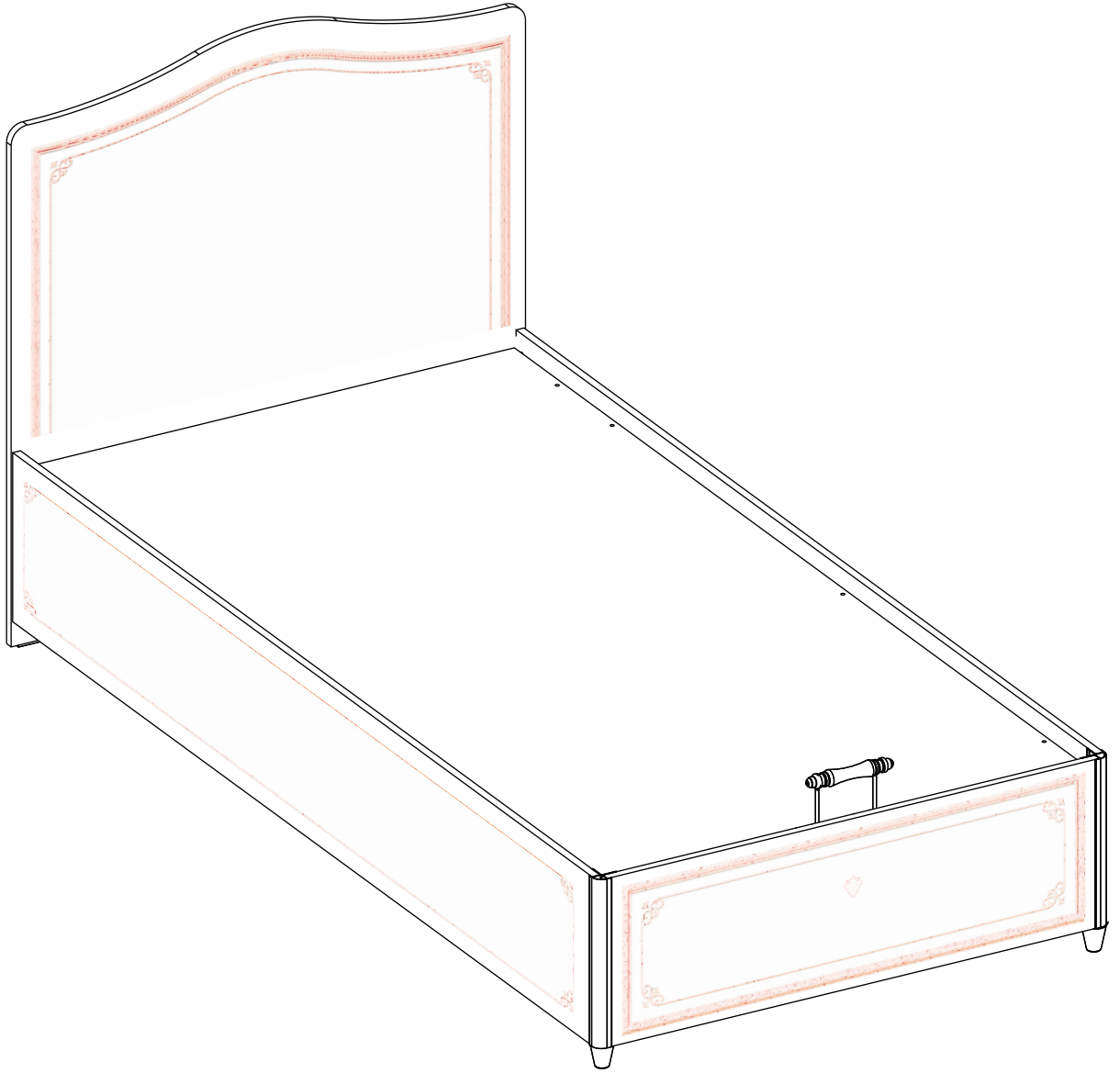
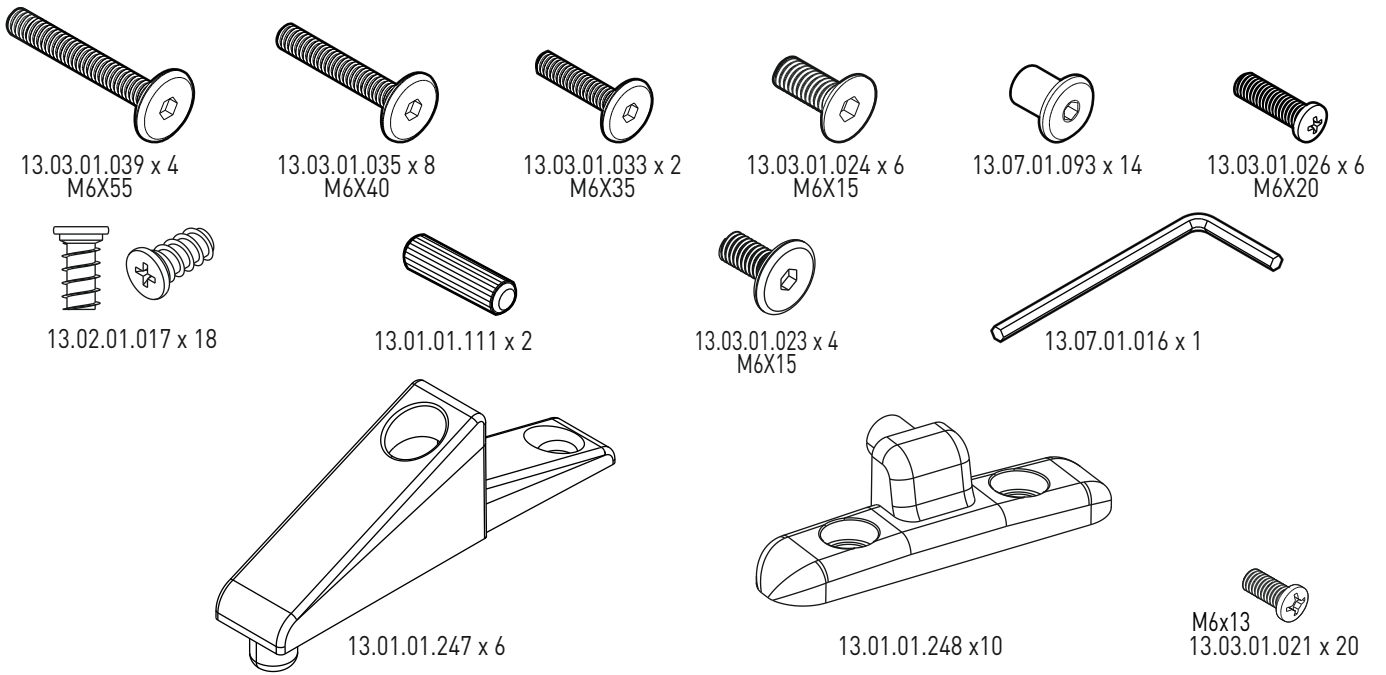
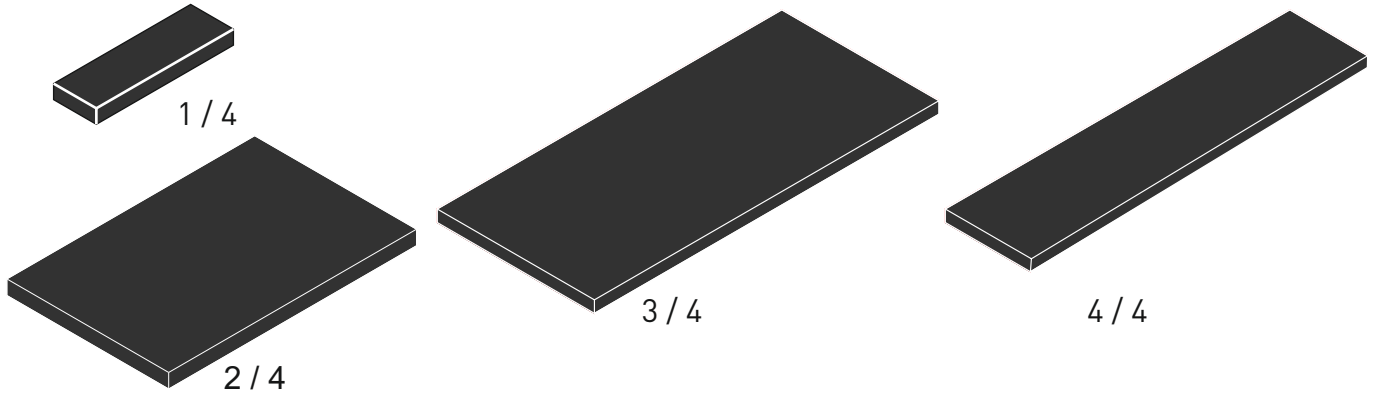
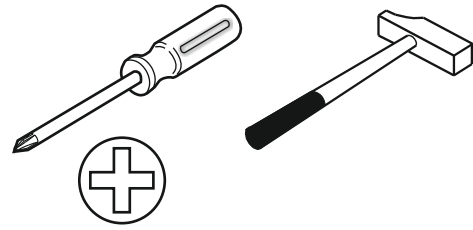
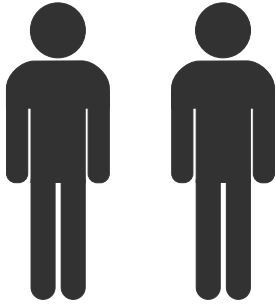
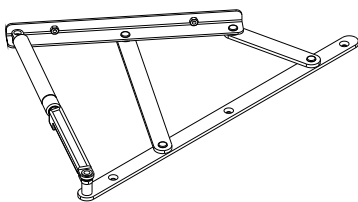


20.70.1705.00

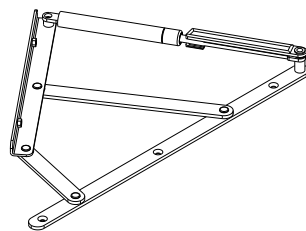




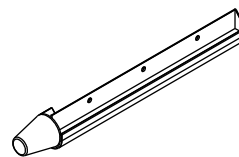
1 / 4



13.07.01.440 x 1



13.07.01.441 x 1

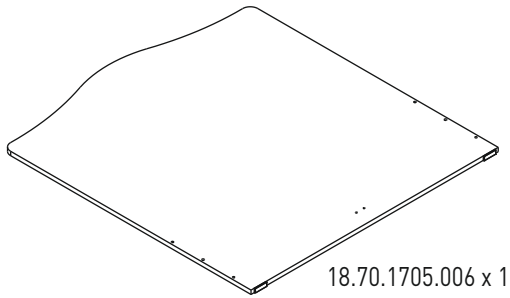


18.70.1705.206 x 2

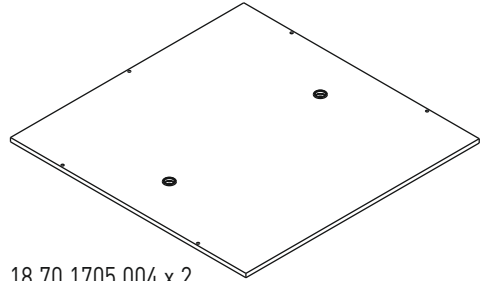


13.06.01.152 x 1

2/4

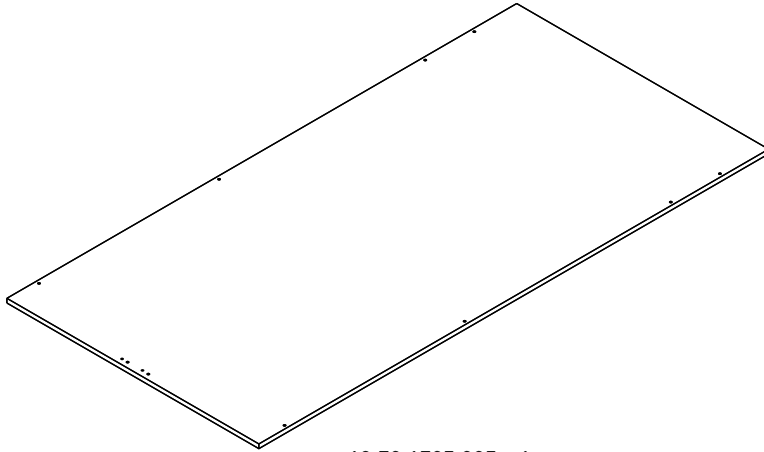


18.70.1705.006 x 1



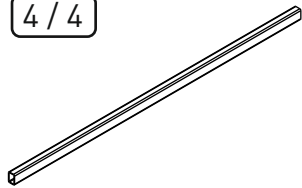
18.70.1705.004 x 2

3/3

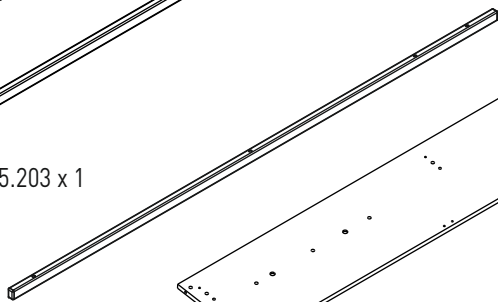


18.70.1705.005 x 1

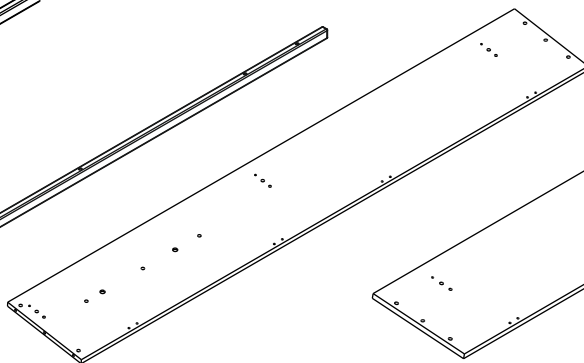
4/4



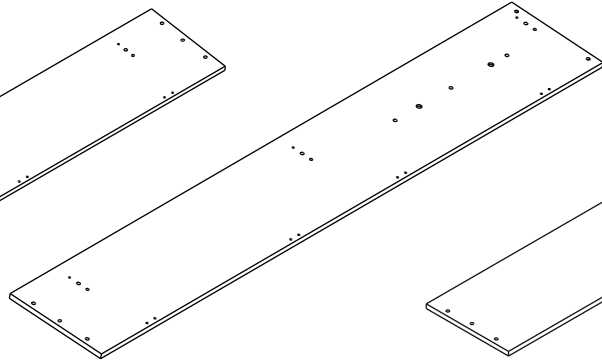
18.70.1705.203 x 1



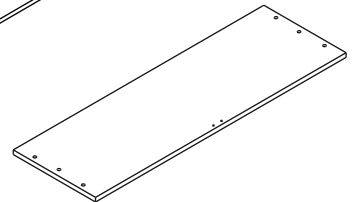
18.70.1705.202 x 2



18.70.1705.001 x 1

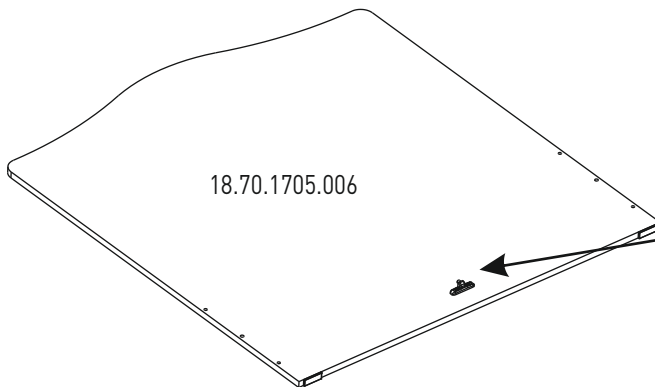


18.70.1705.002 x 1

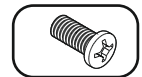
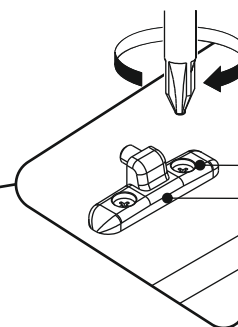


18.70.1705.003 x 1

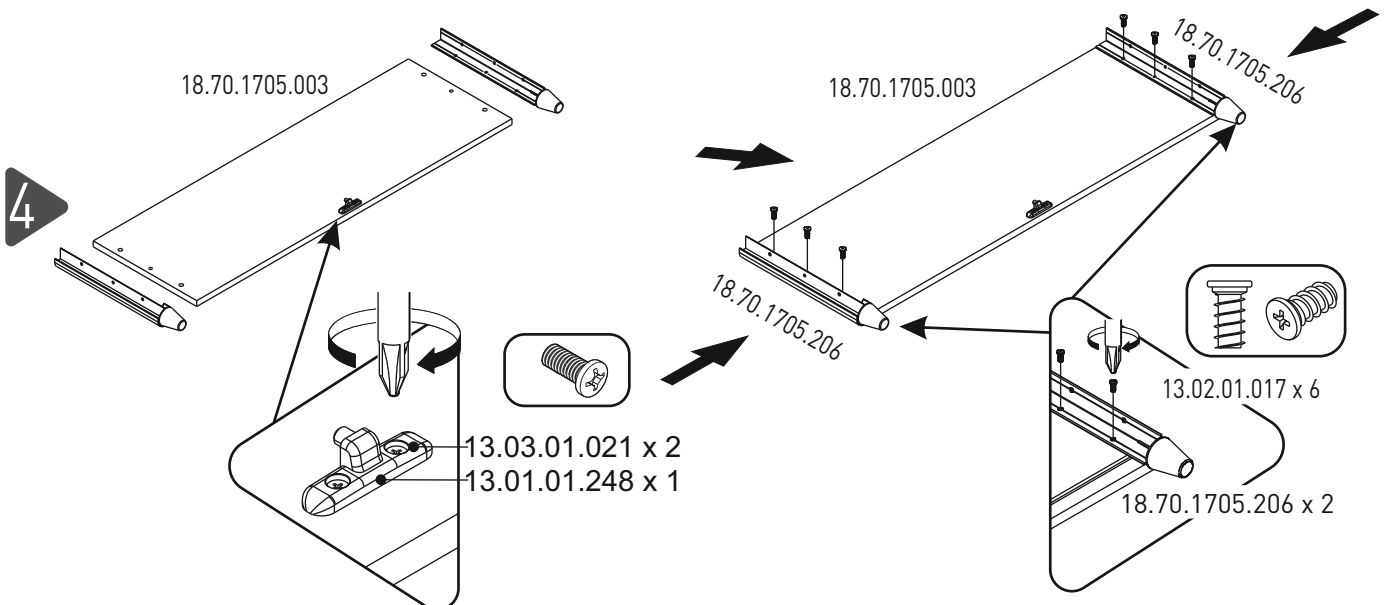
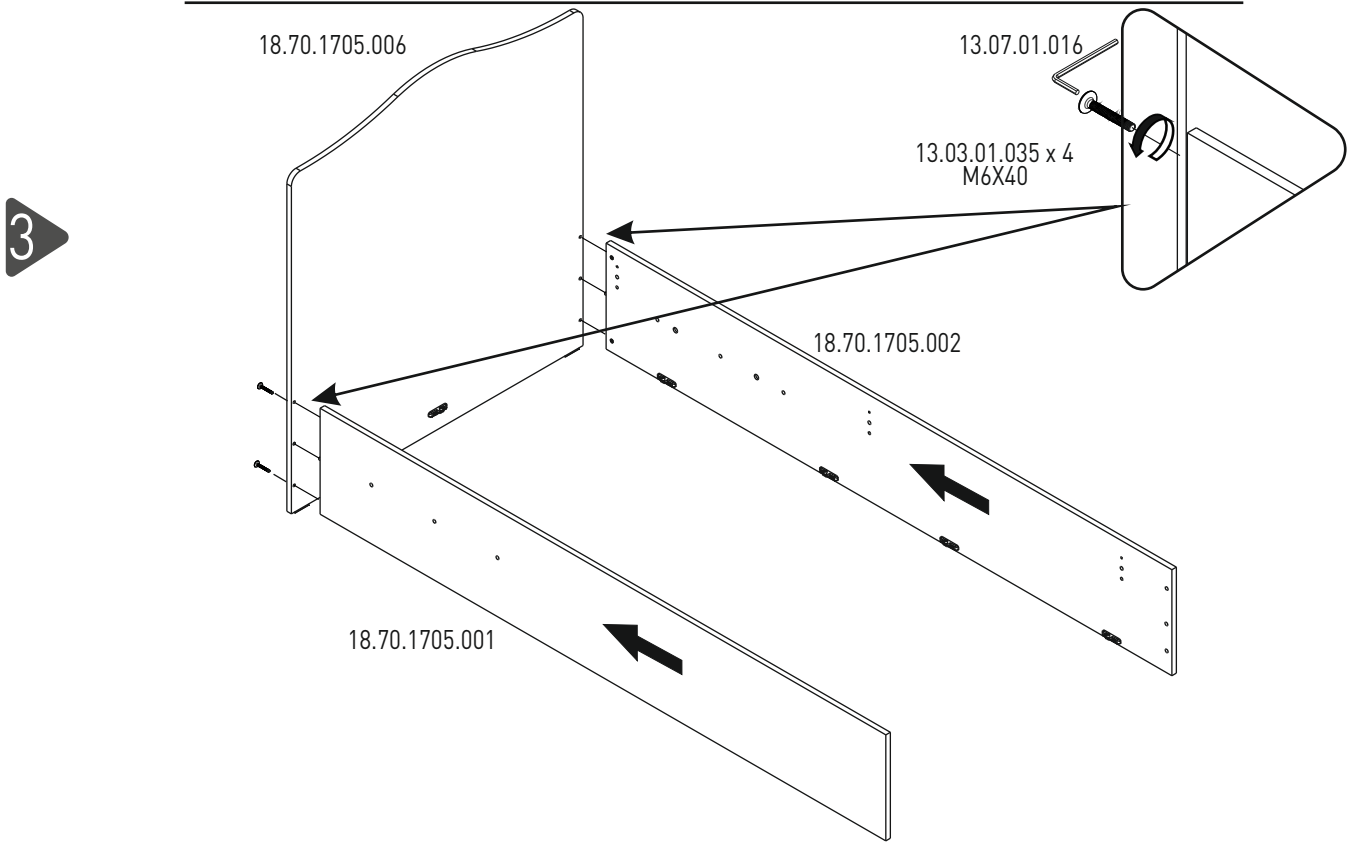
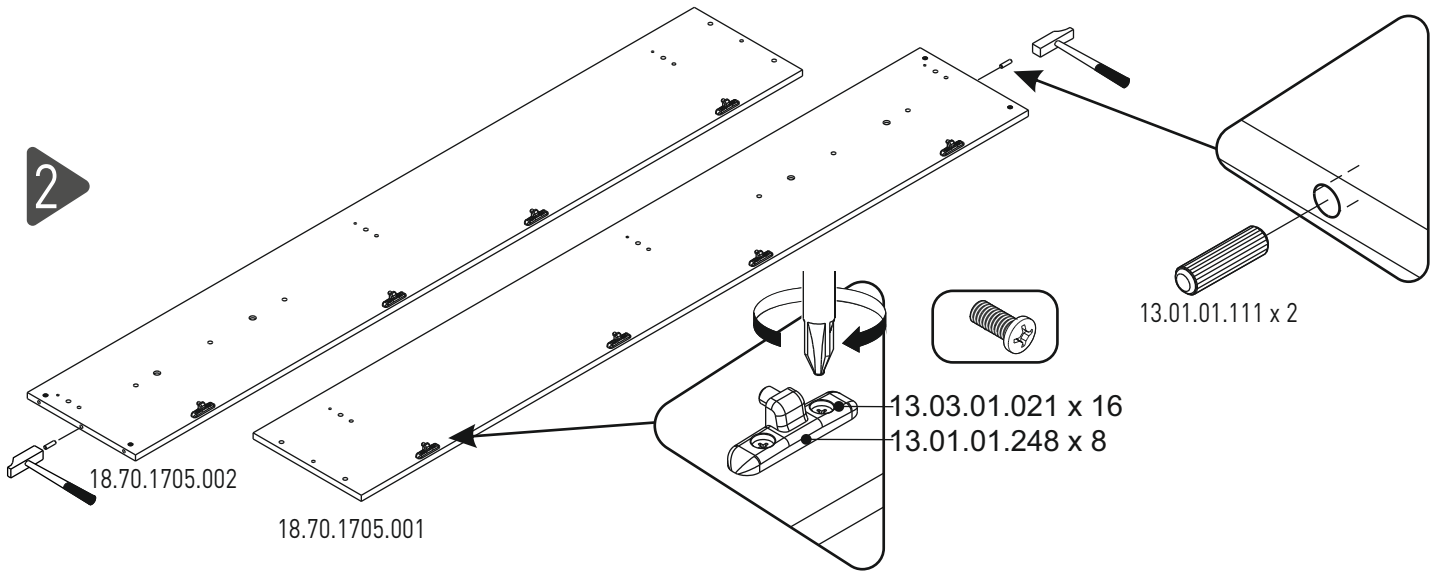
1

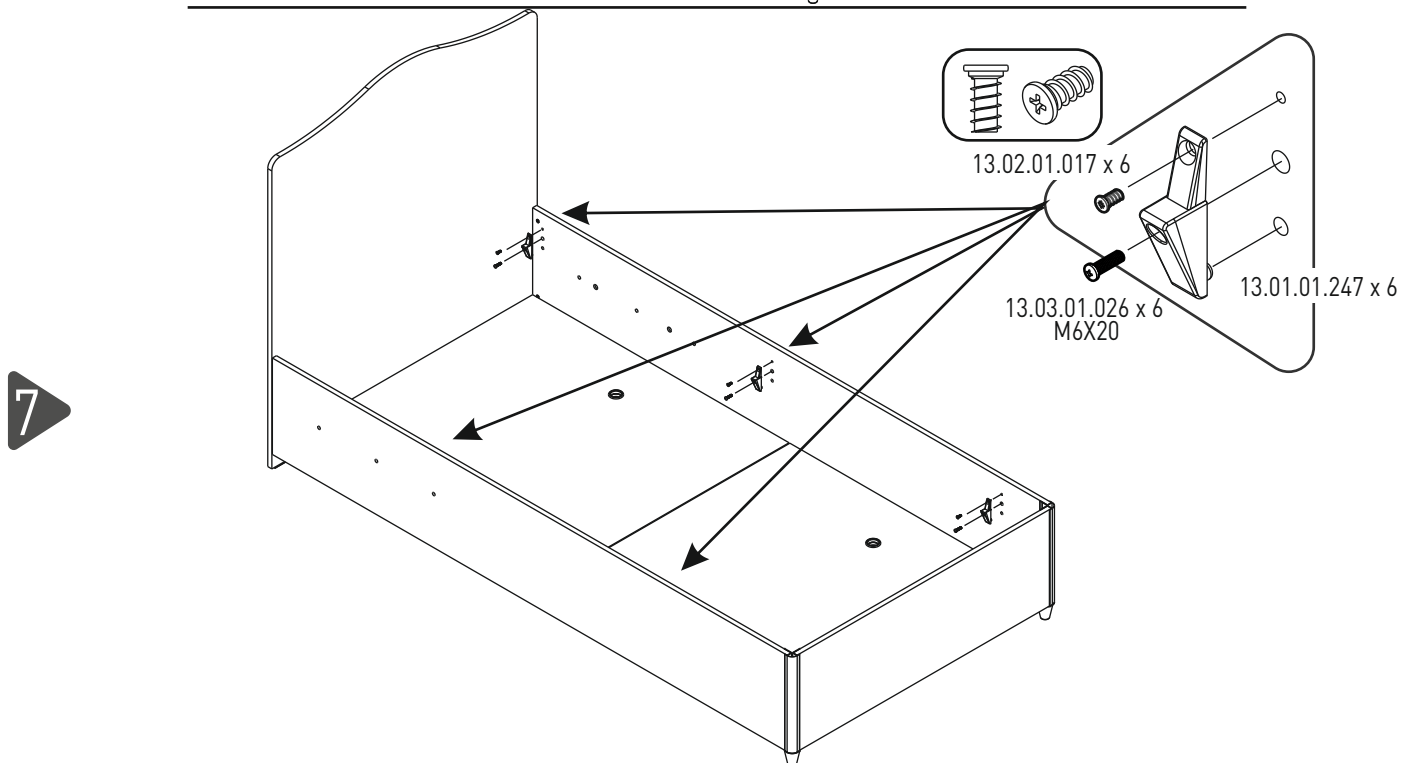
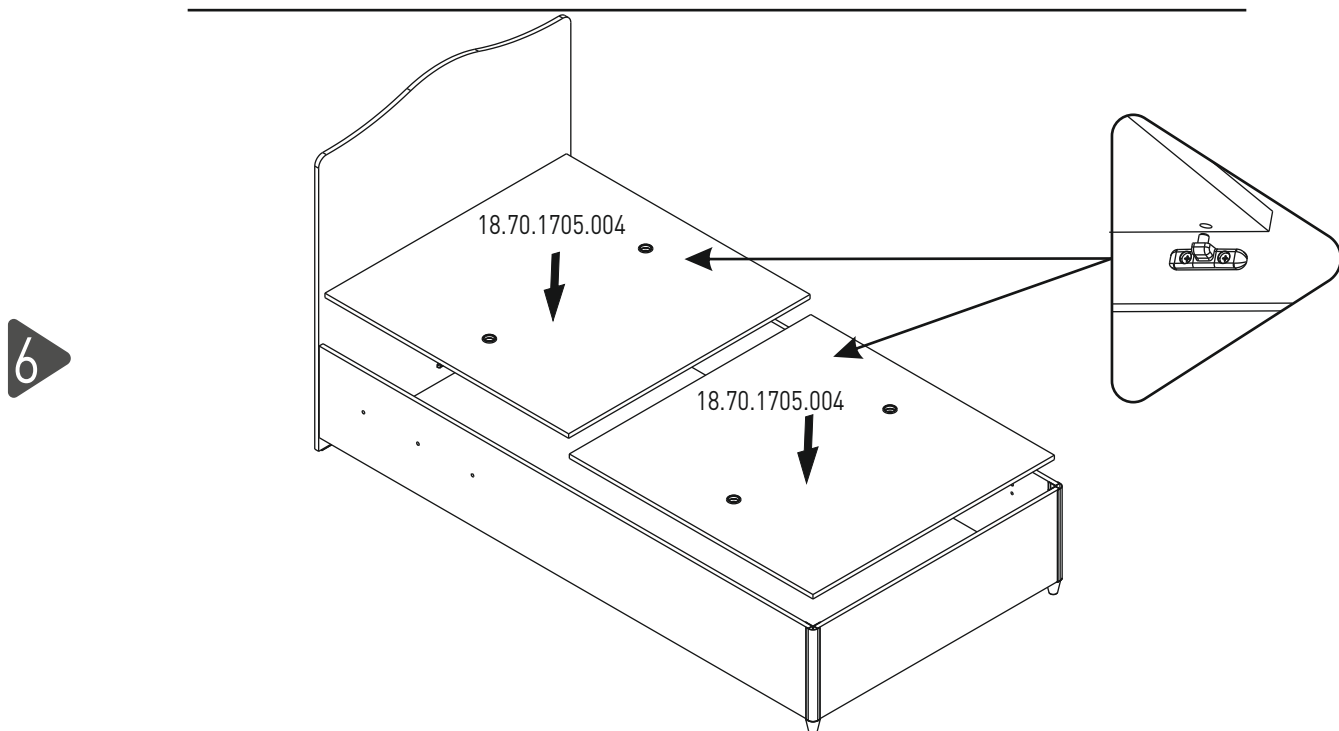
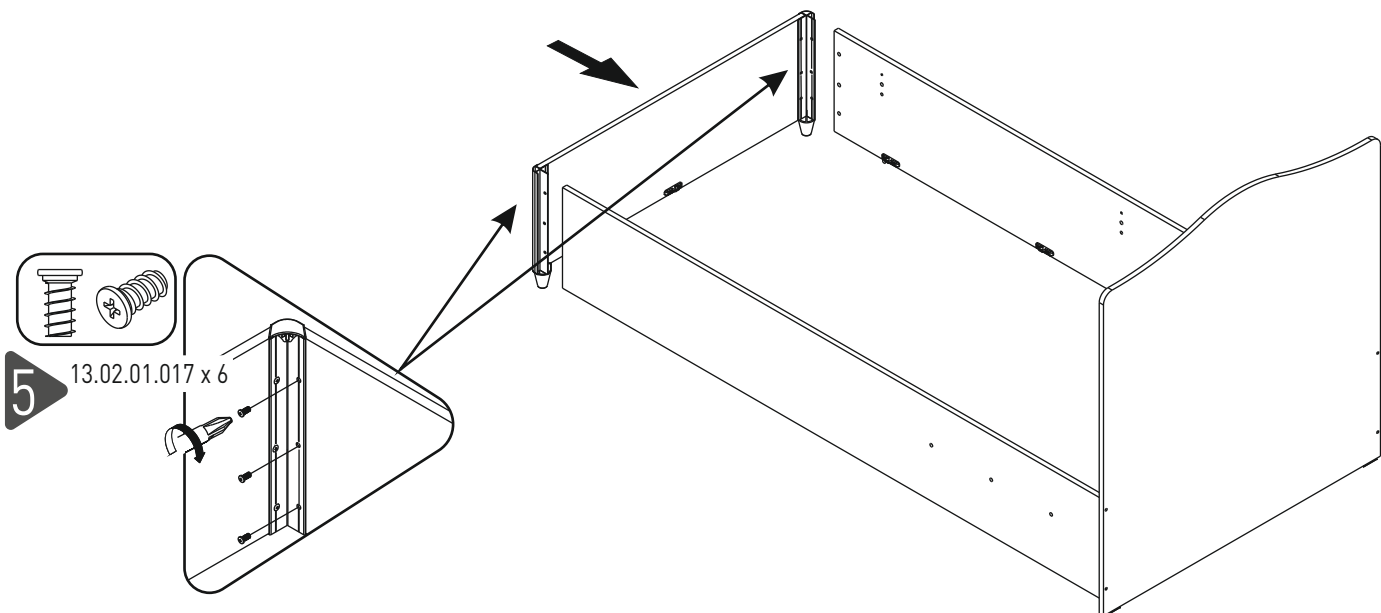


18.70.1705.006

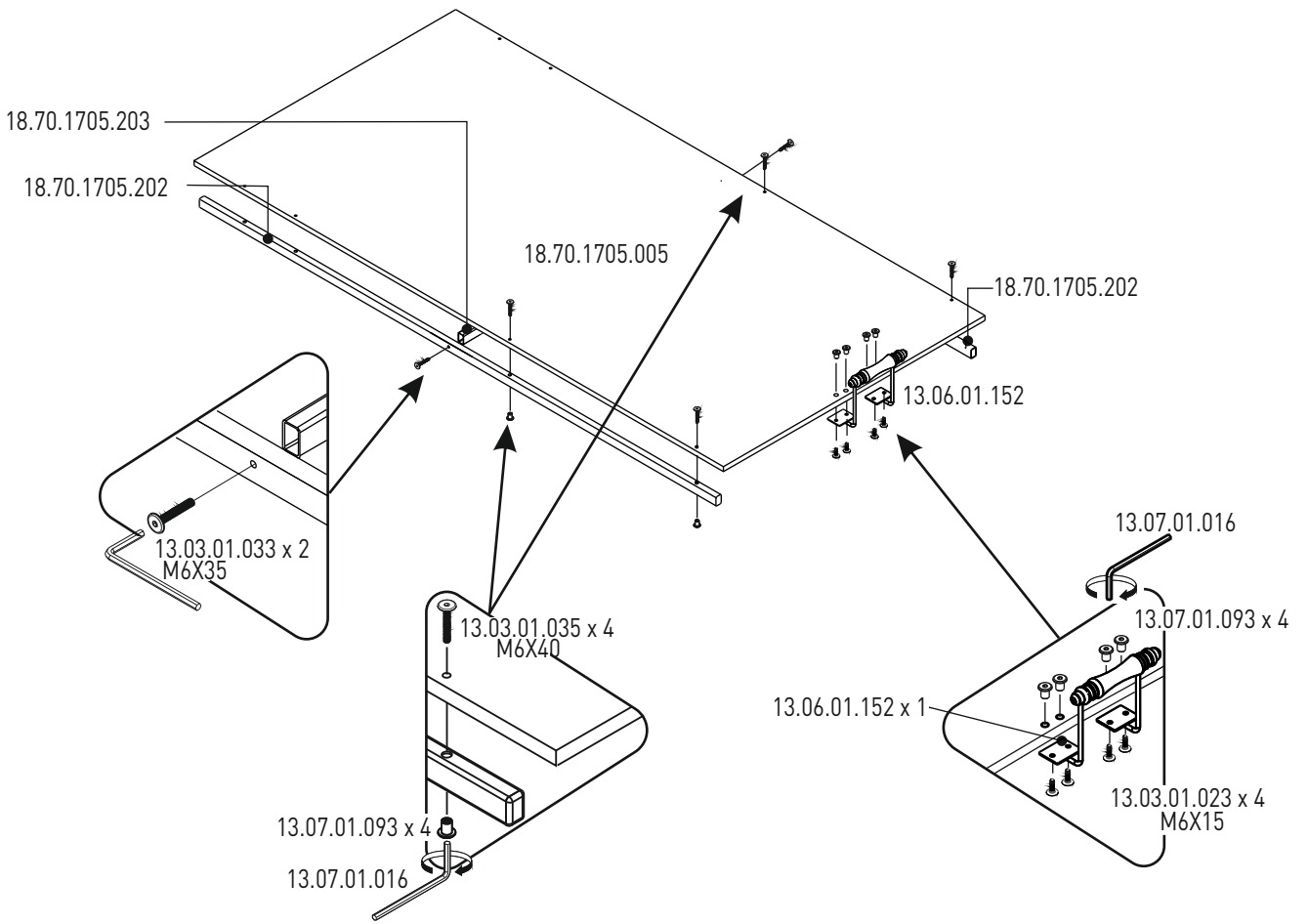


M6x13
13.03.01.021 x 2
13.01.01.248 x 1

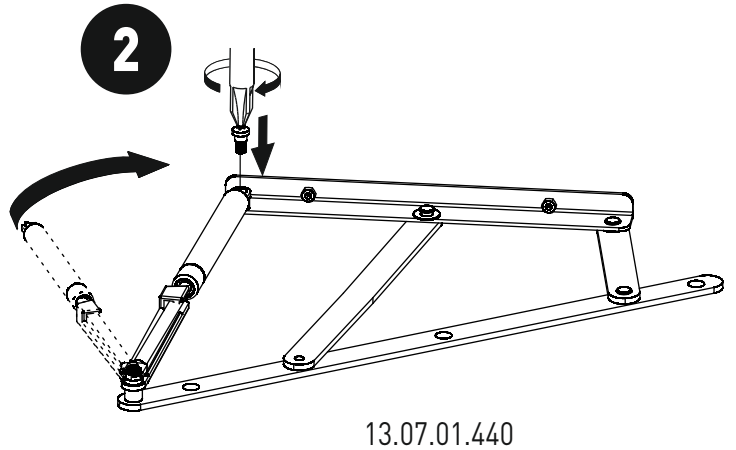
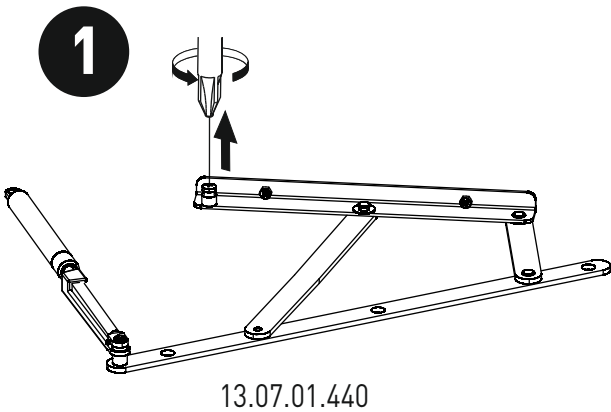
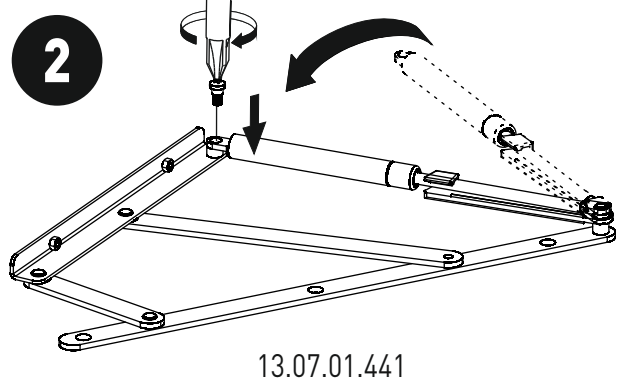
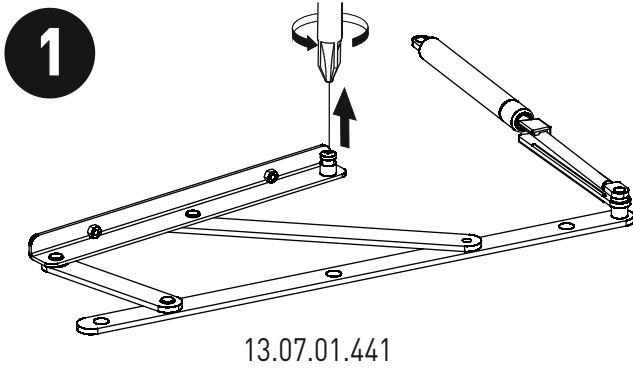




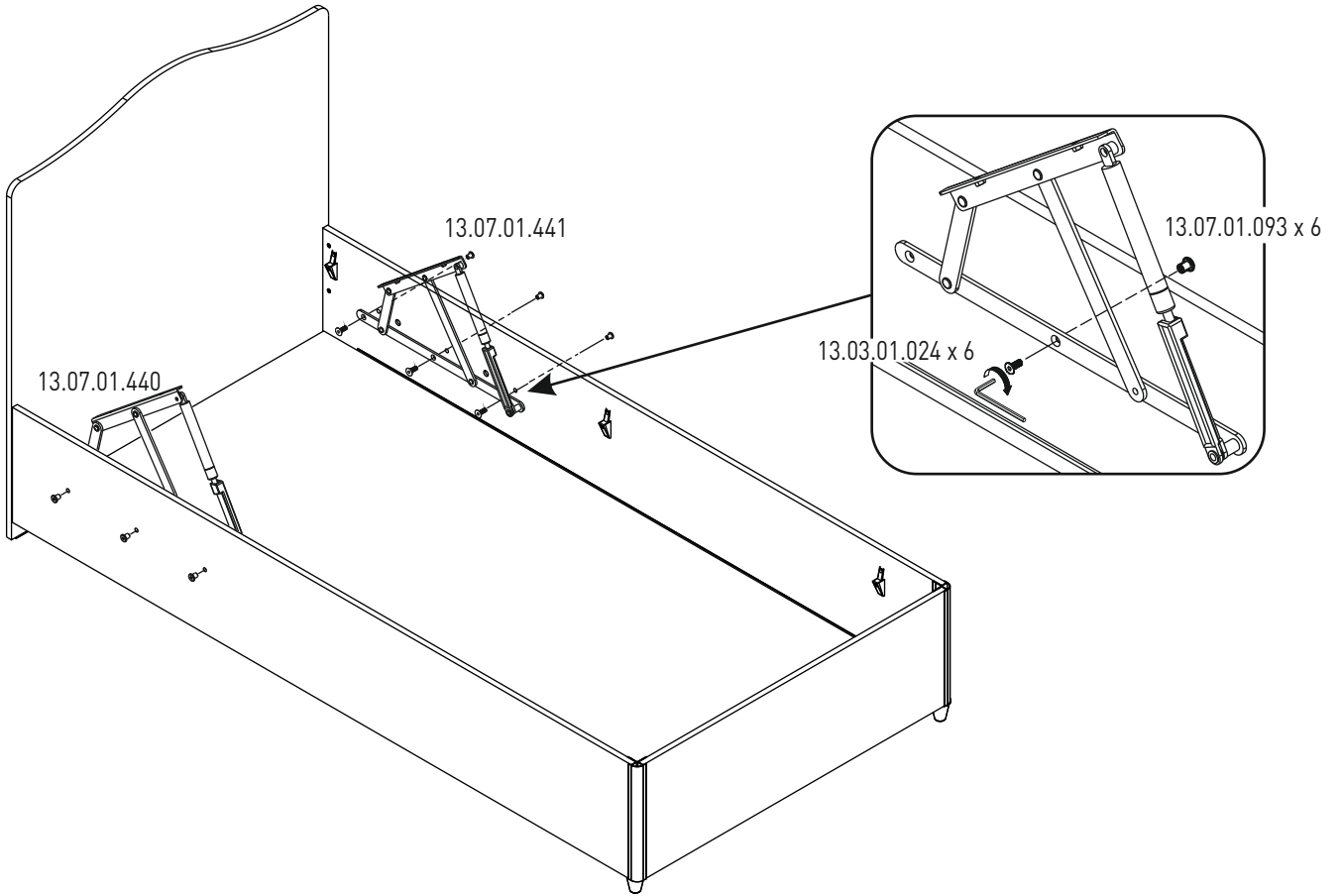
8



9



10



11

