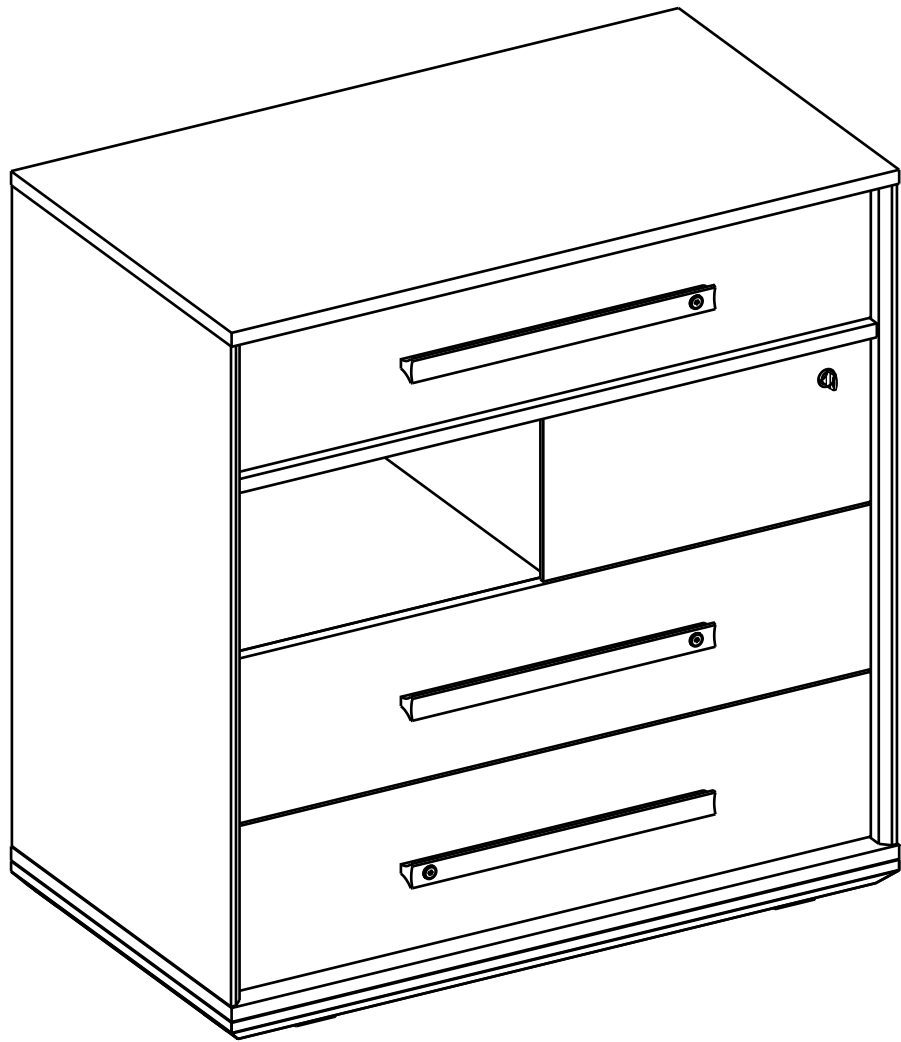
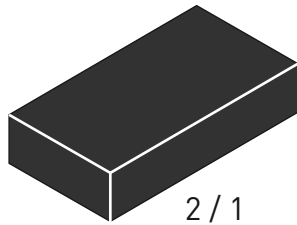
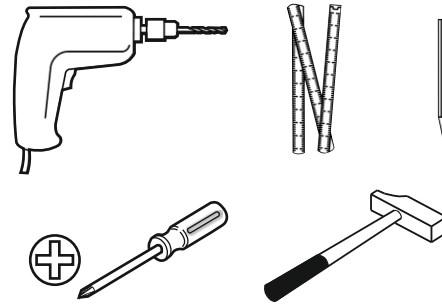
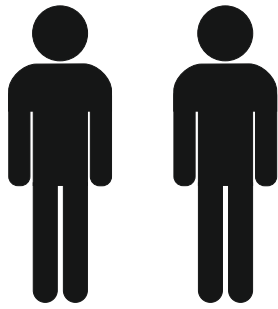
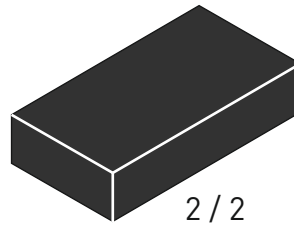


20.40.1201.00

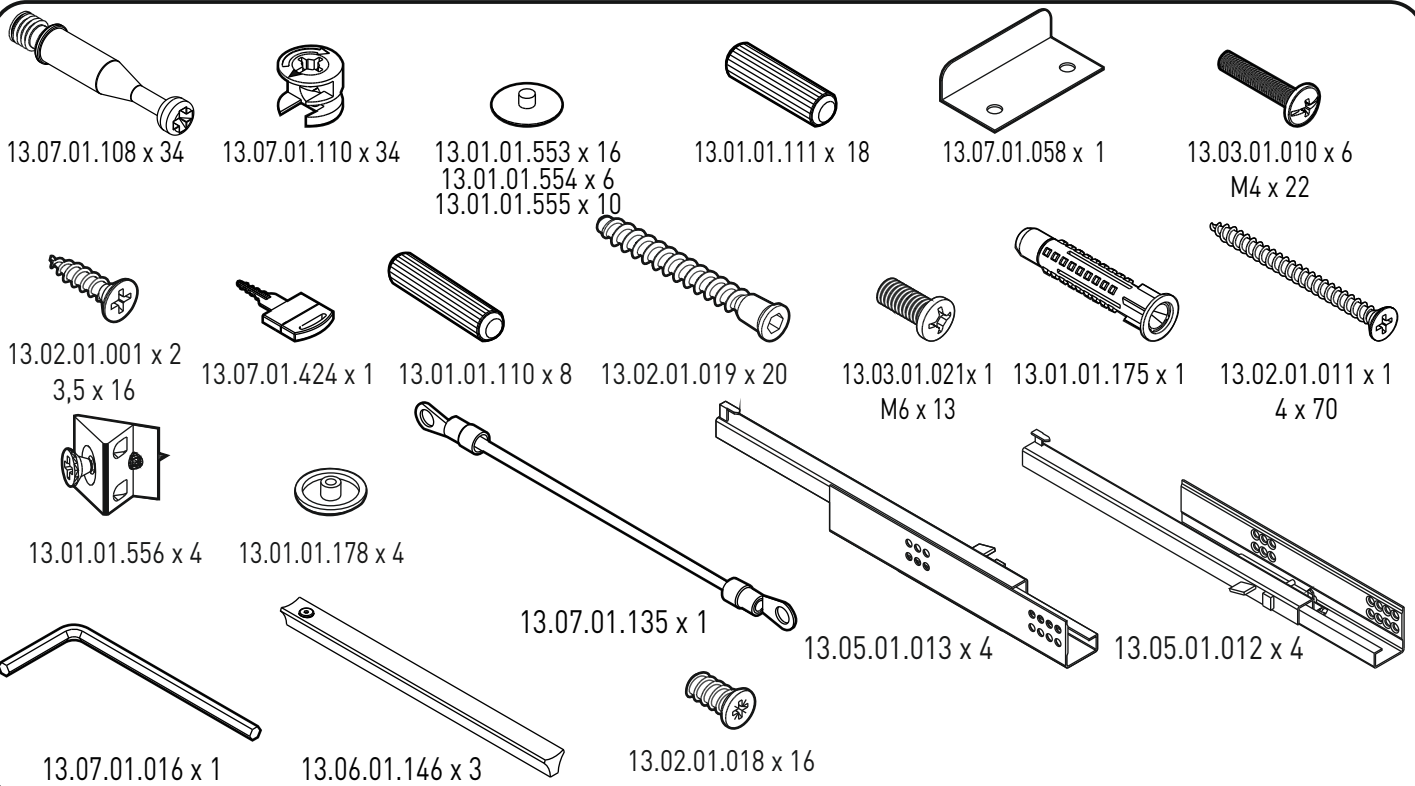




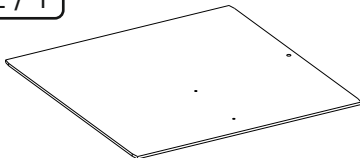
2 / 1



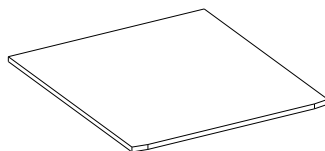
2 / 2



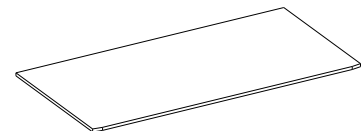
2 / 1



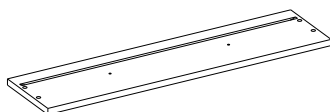
18.40.1201.021 x 1



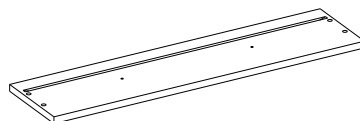
18.40.1201.016 x 1



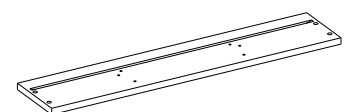
18.40.1201.012 x 1



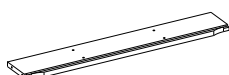
18.40.1201.013 x 1



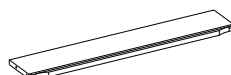
18.40.1201.008 x 1



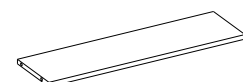
18.40.1201.017 x 1



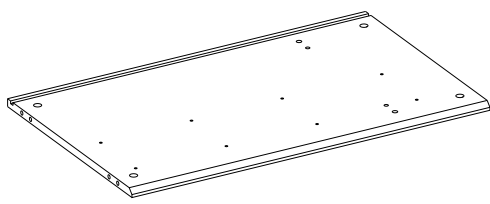
18.40.1201.020 x 1



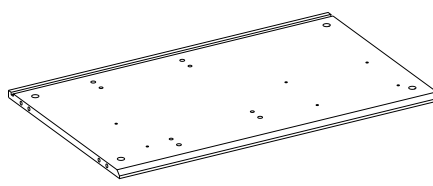
18.40.1201.011 x 2



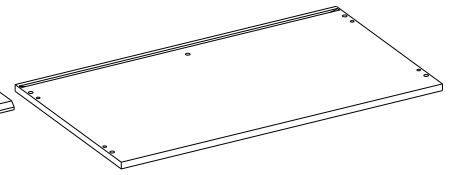
18.40.1201.022 x 2



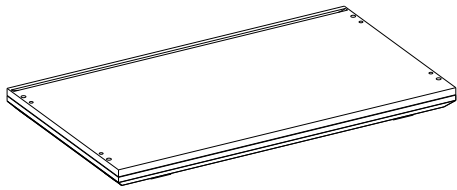
18.40.1201.001 x 1



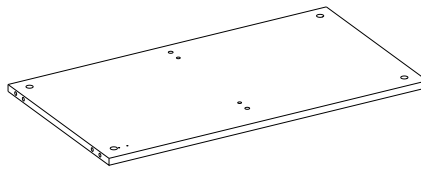
18.40.1201.002 x 1



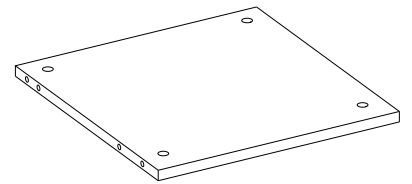
18.40.1201.003 x 1



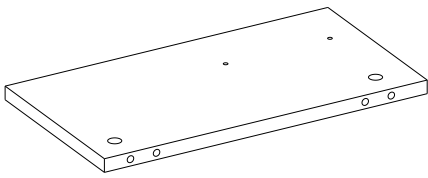
18.40.1201.004 x 1



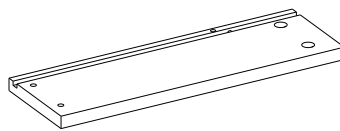
18.40.1201.005 x 1



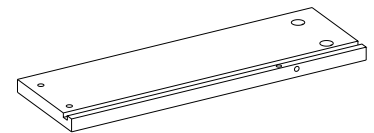
18.40.1201.006 x 1



18.40.1201.007 x 1



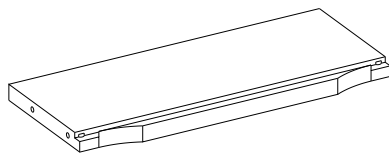
18.40.1201.009 x 3



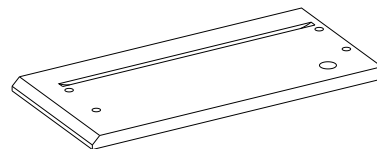
18.40.1201.010 x 3

18.40.1201.018 x 1

18.40.1201.019 x 1



18.40.1201.015 x 1

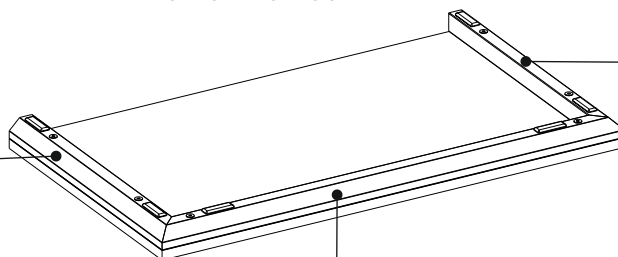


18.40.1201.014 x 1

18.40.1201.004 x 1

18.40.1201.025

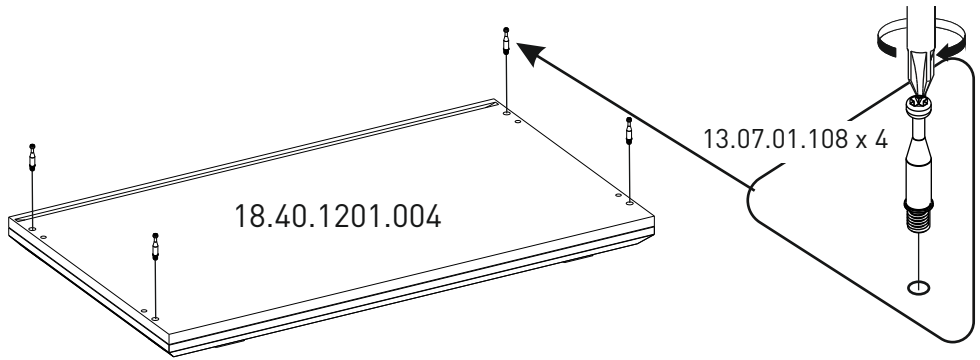
18.40.1201.024



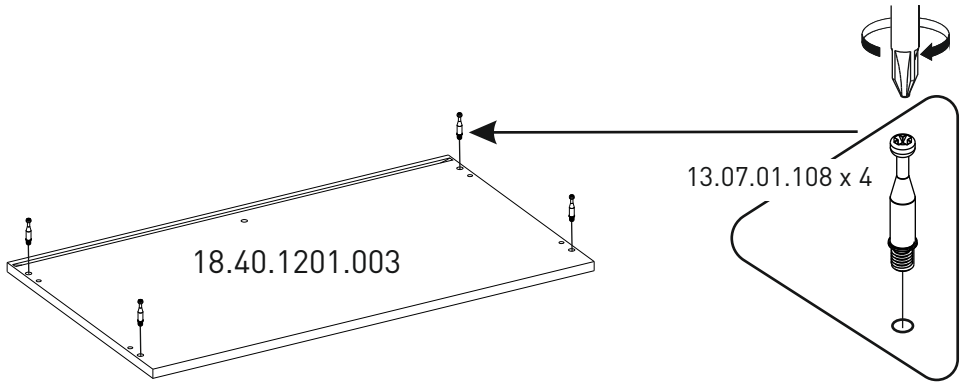
18.40.1201.023

1

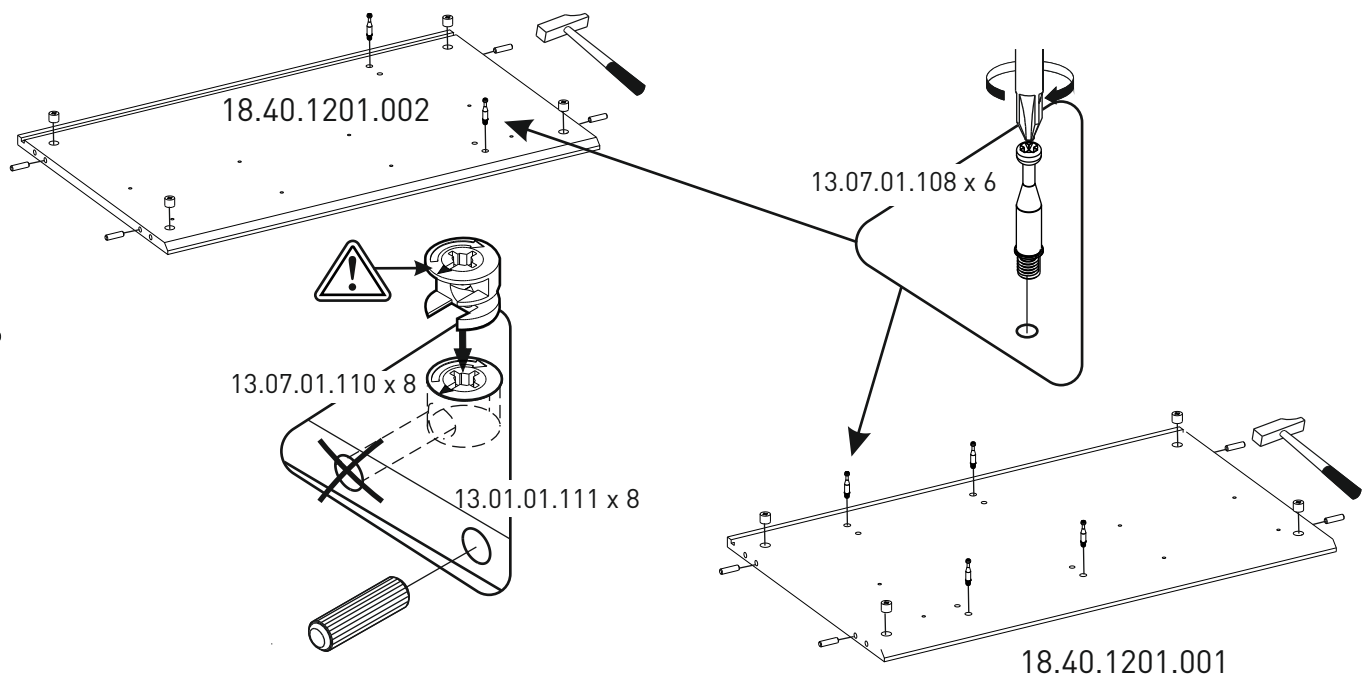
2



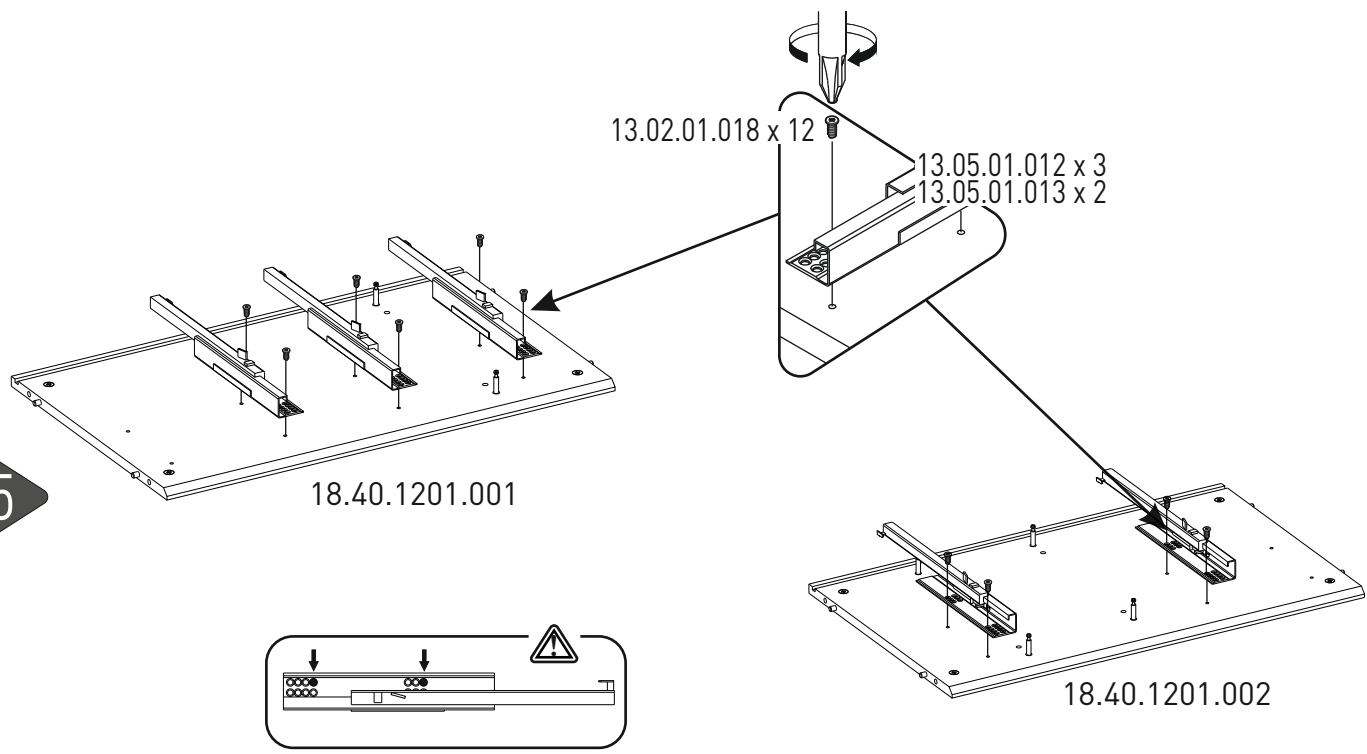
3



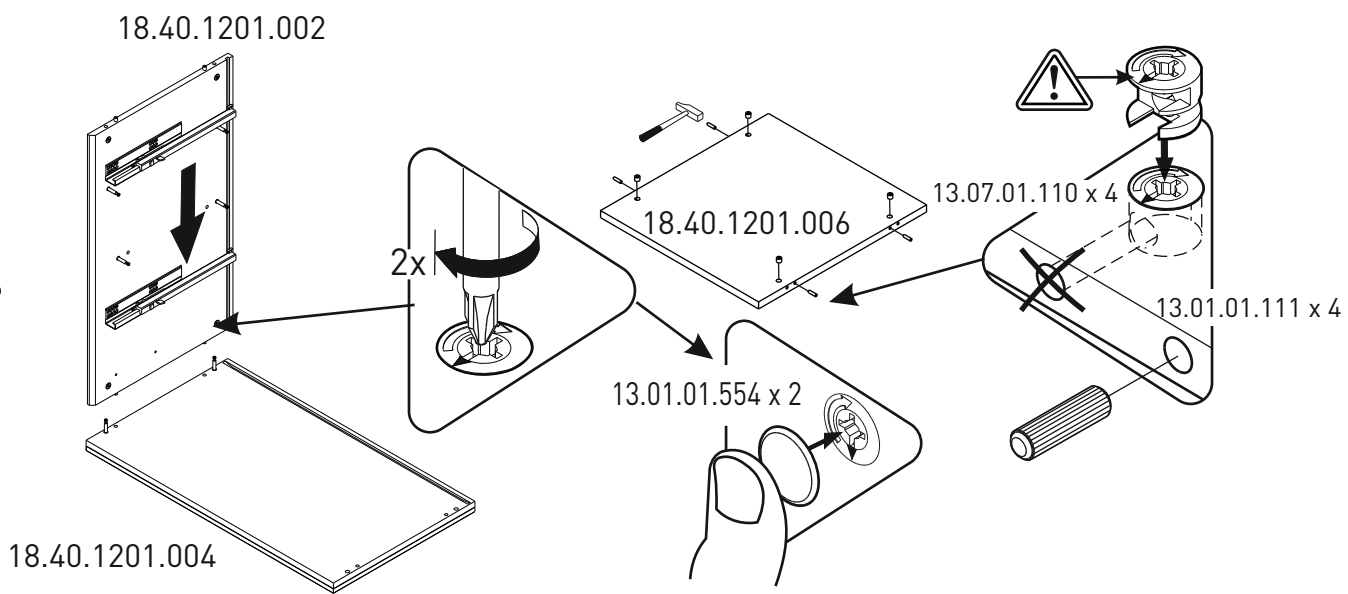
4



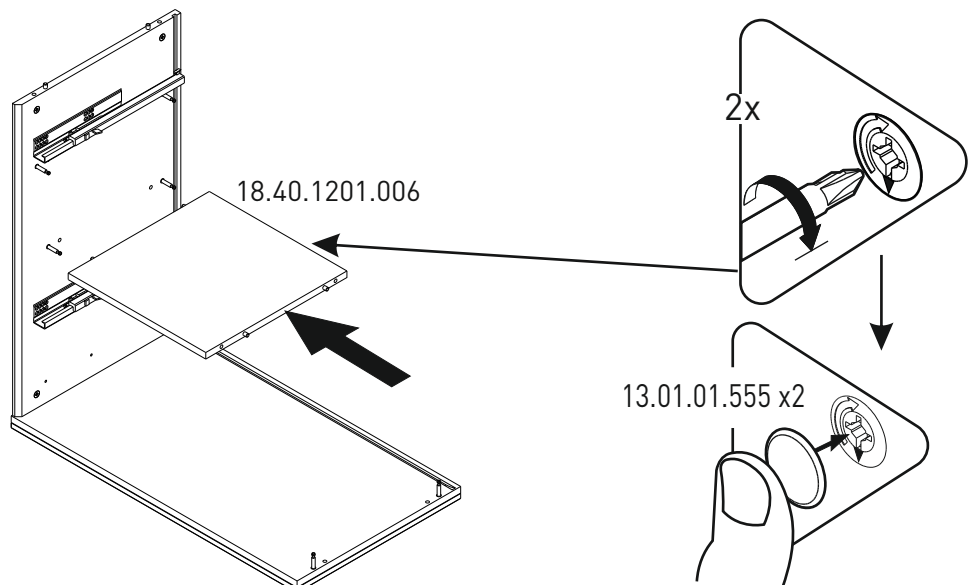
5



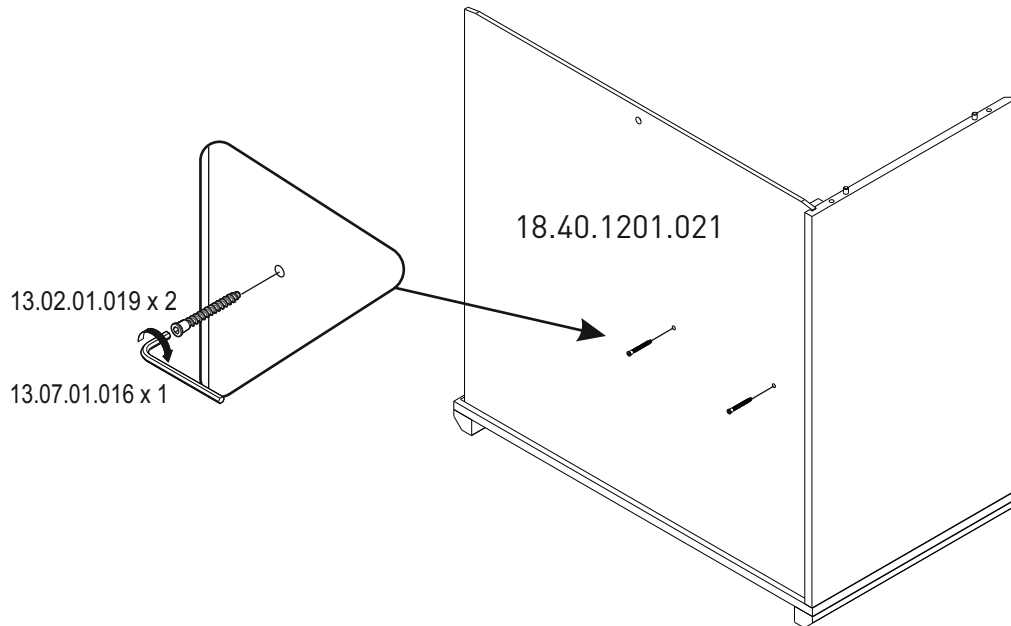
6



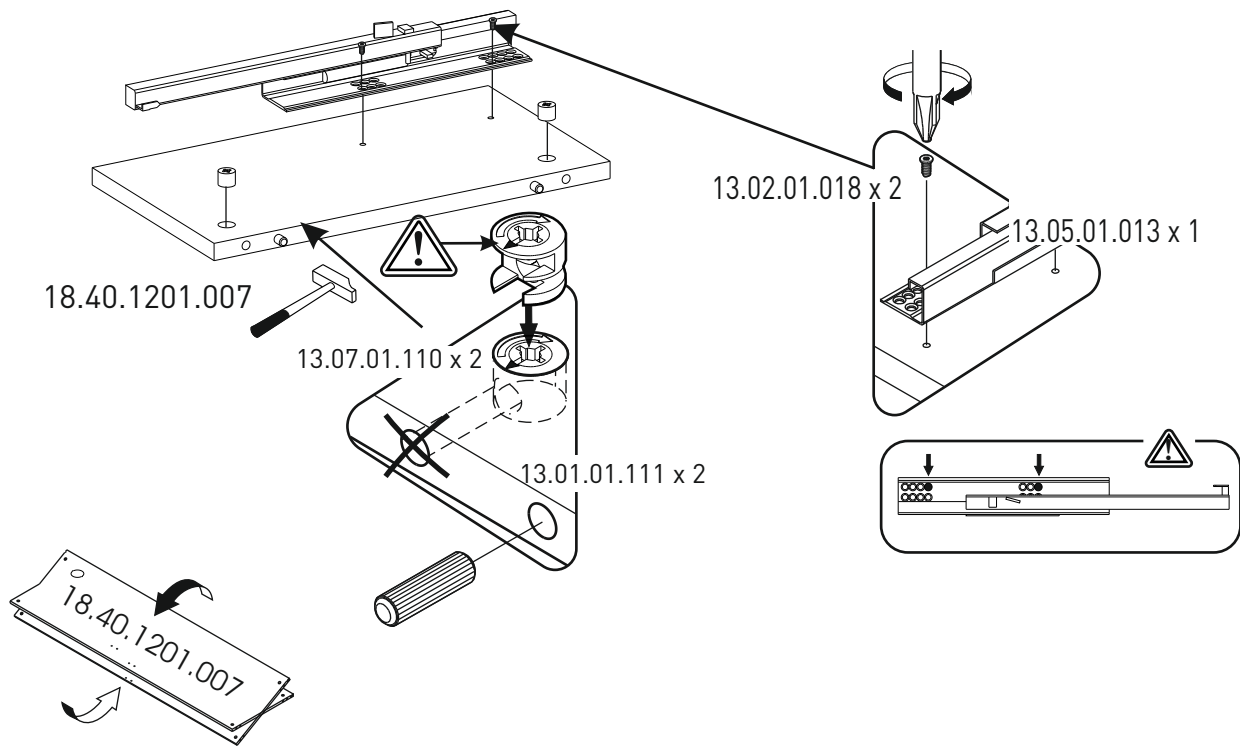
7



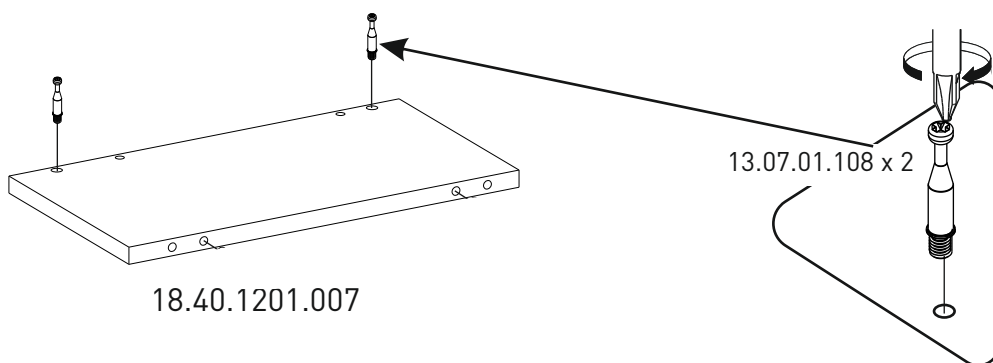
8



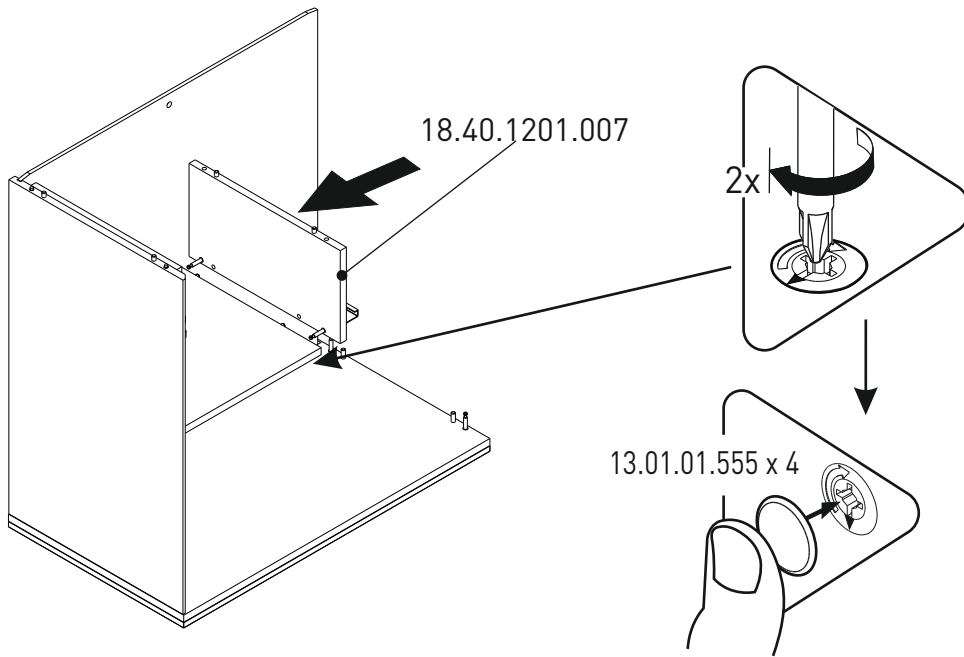
9



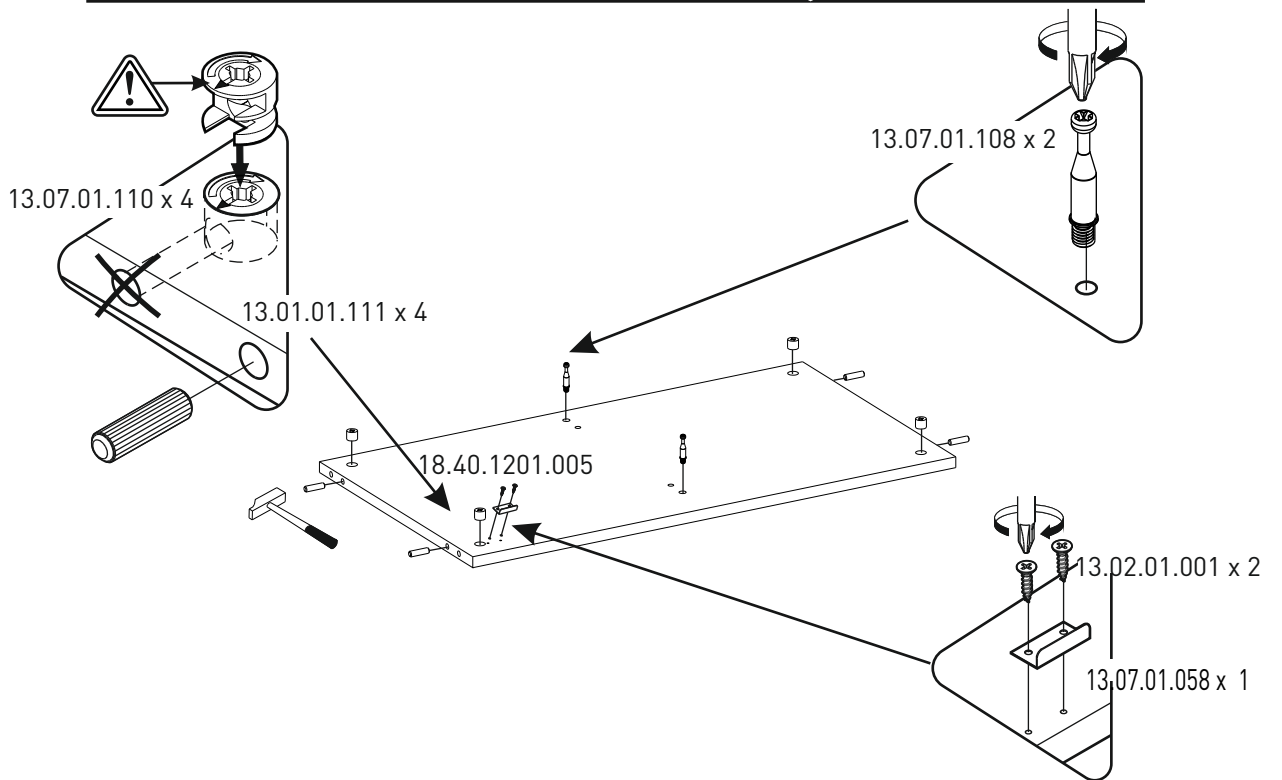
10



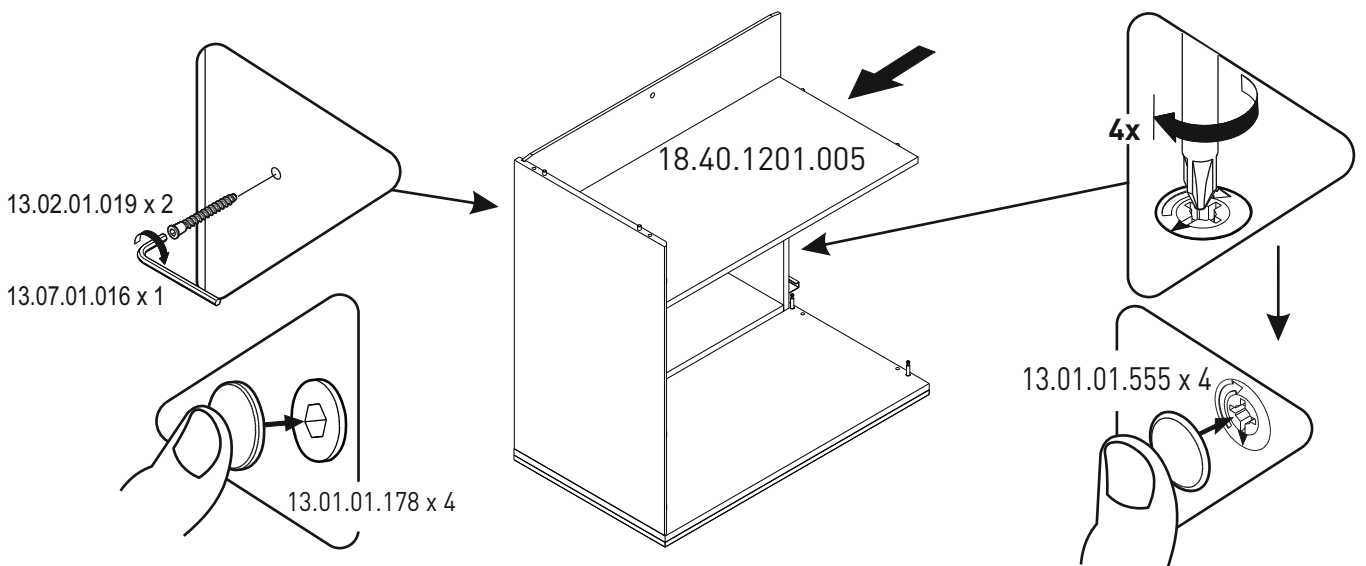
11



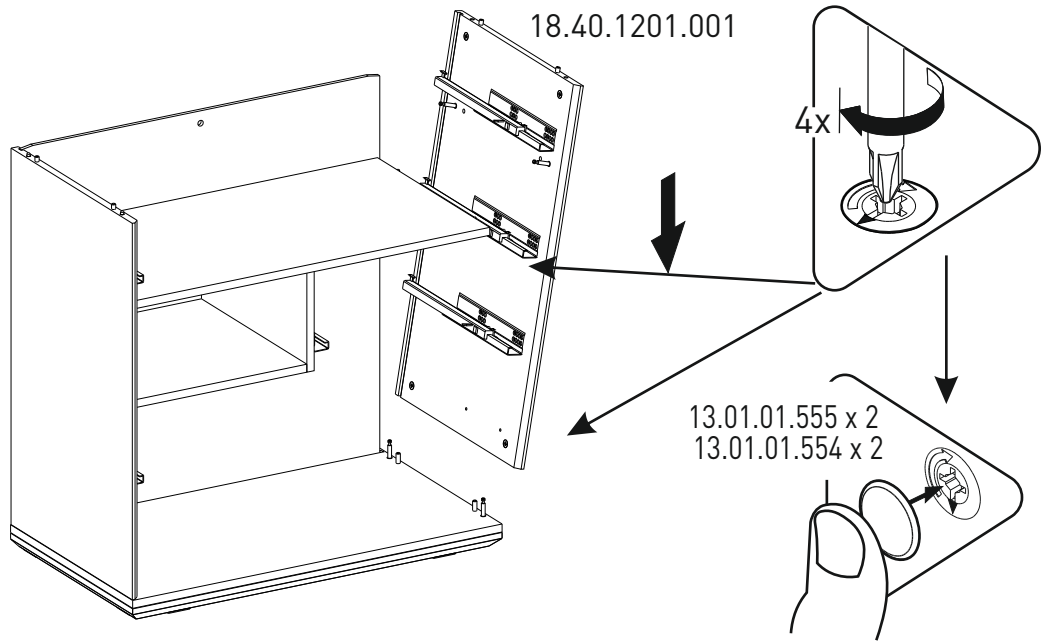
12



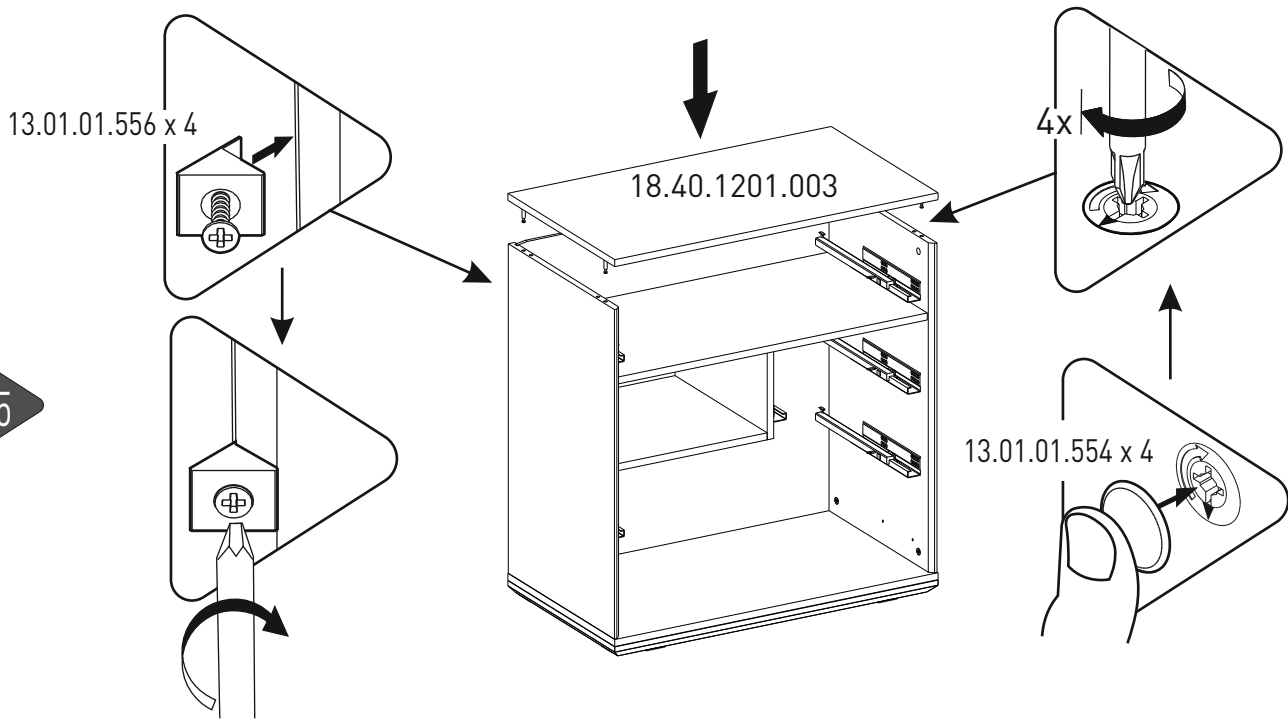
13



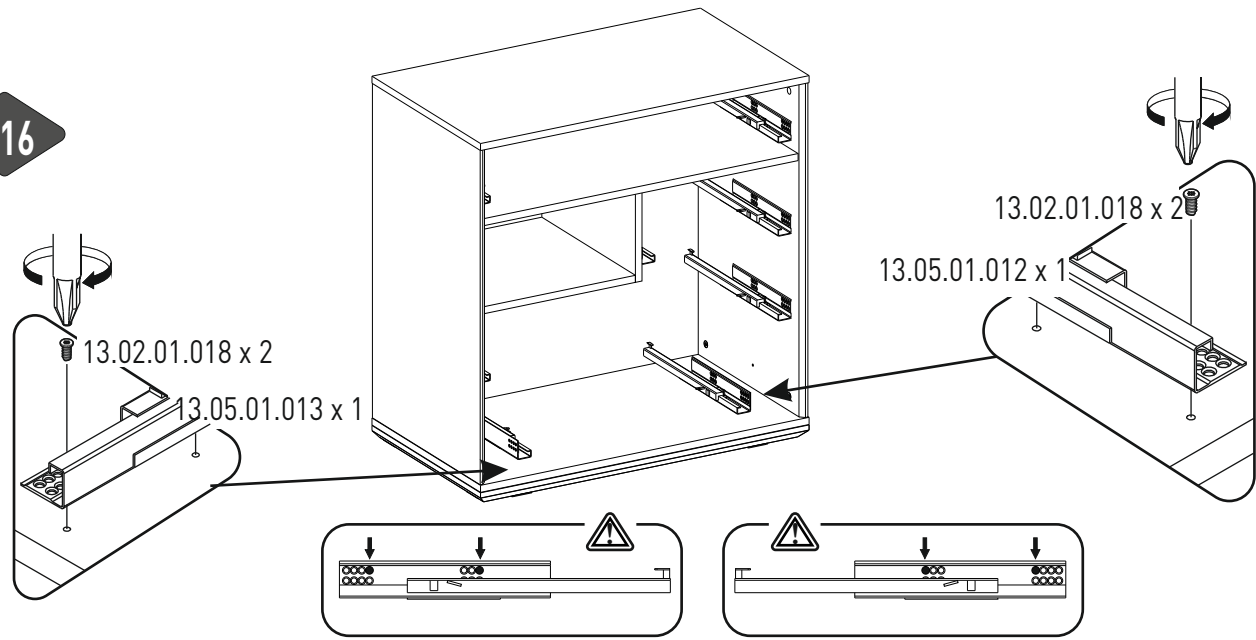
14



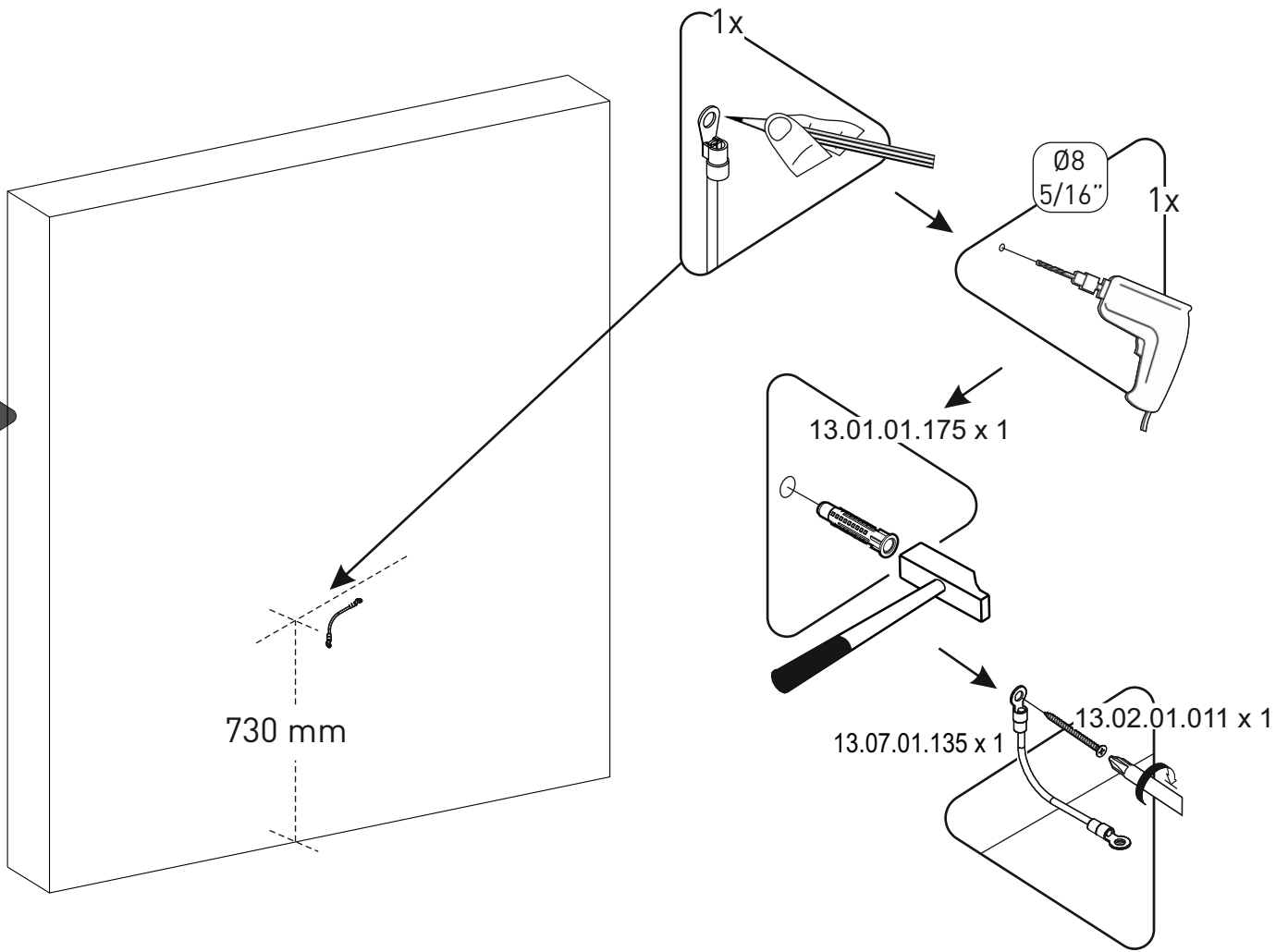
15



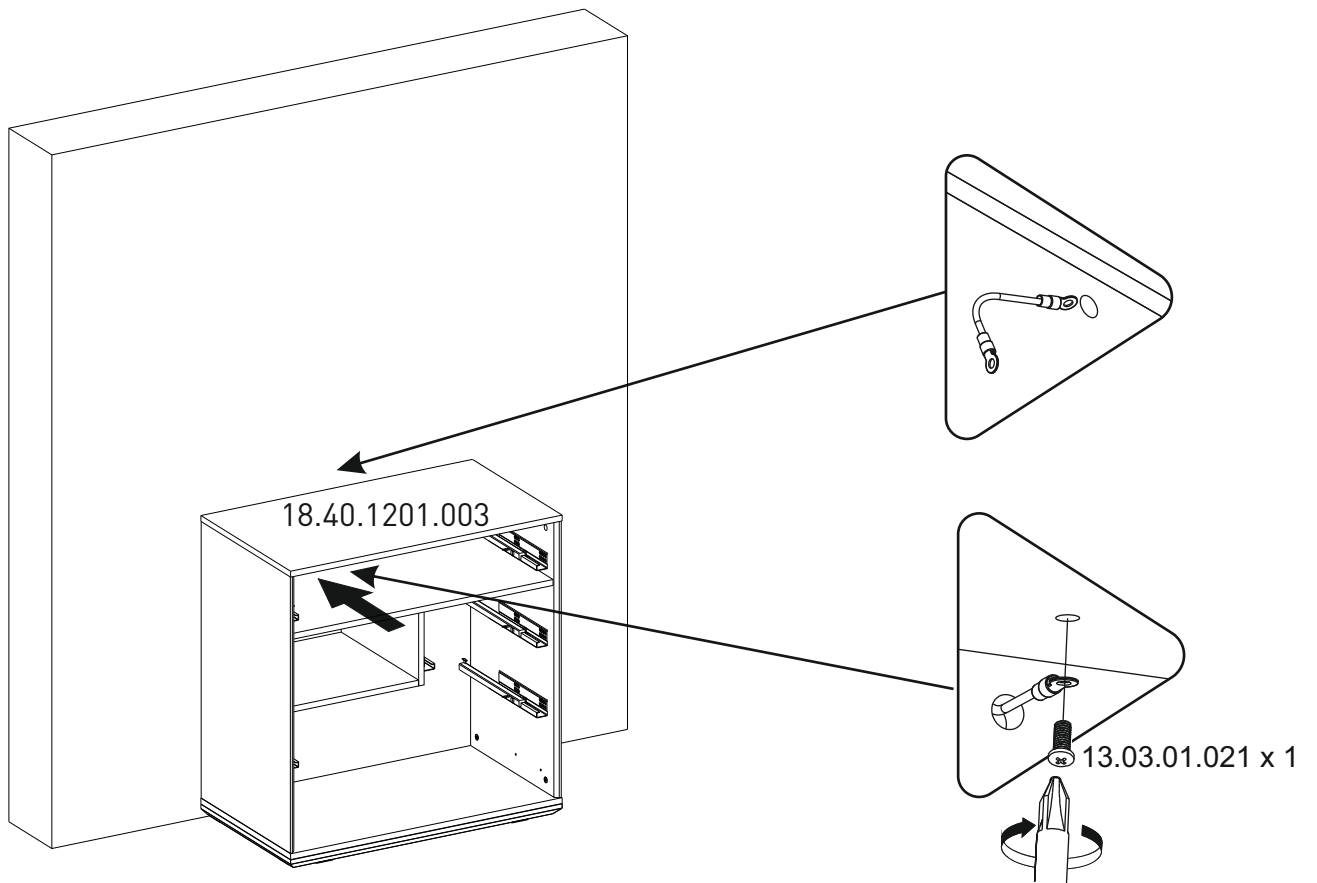
16



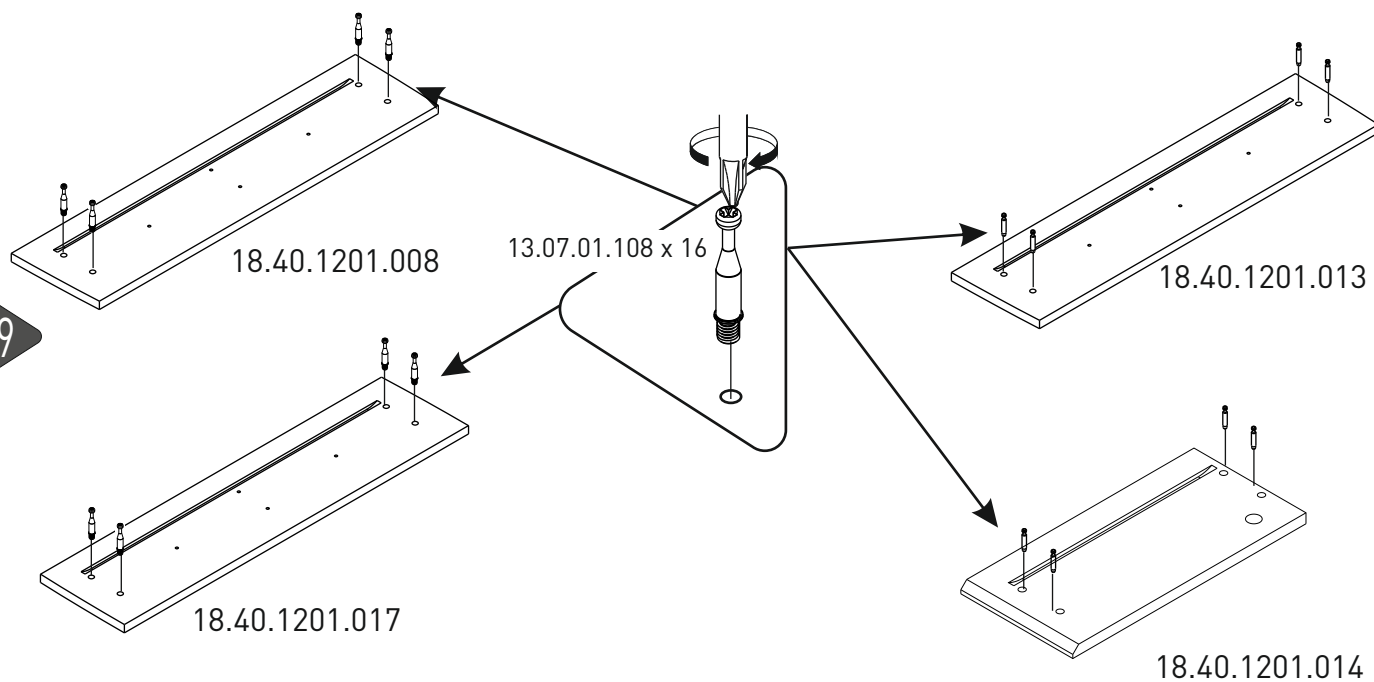
17



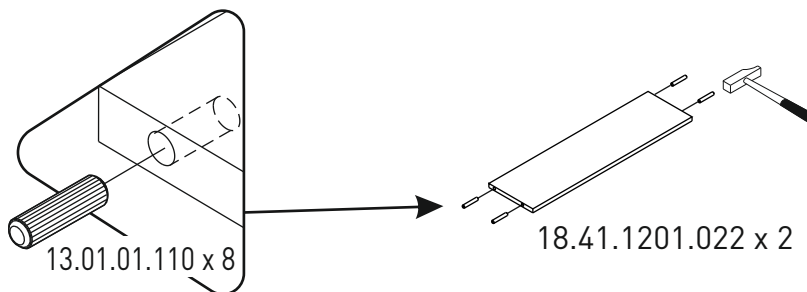
18



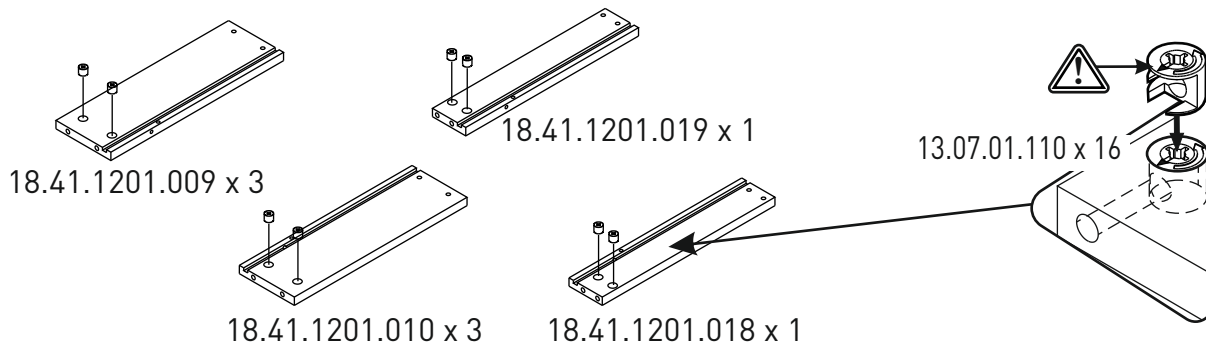
19

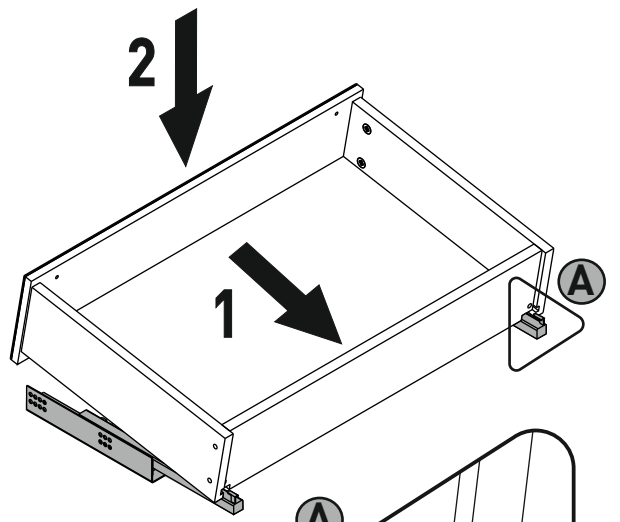
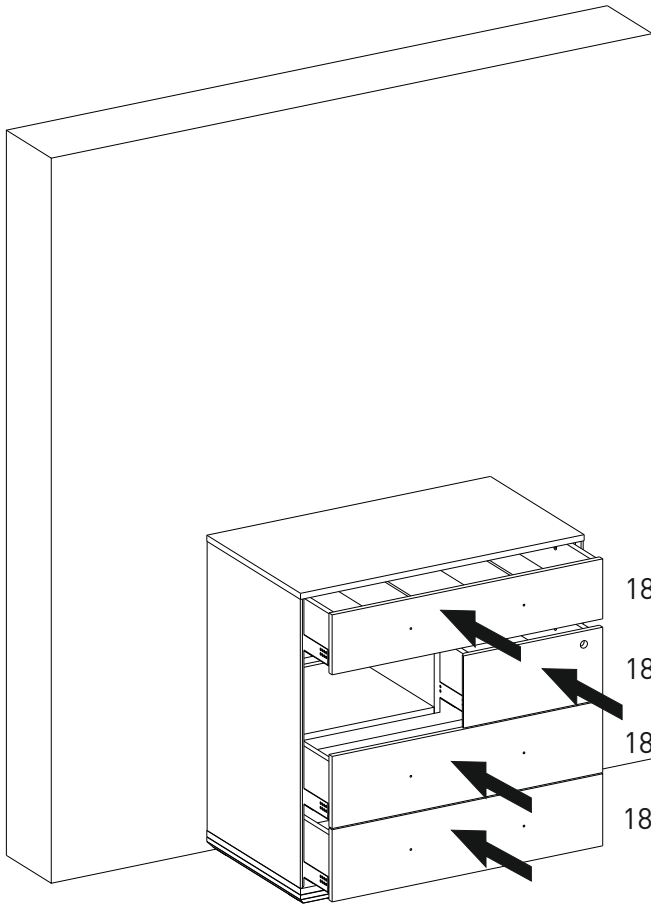


20

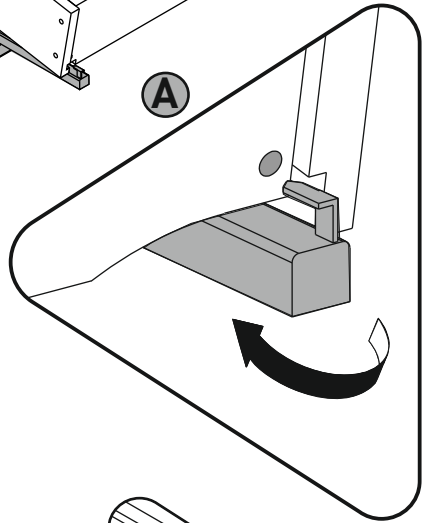


21

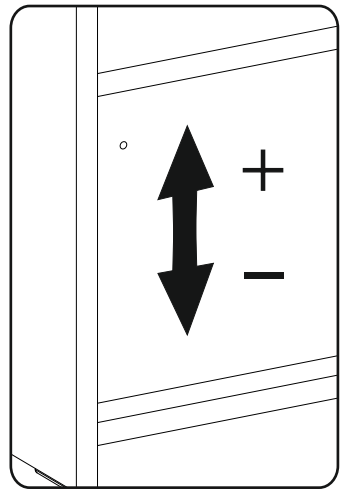
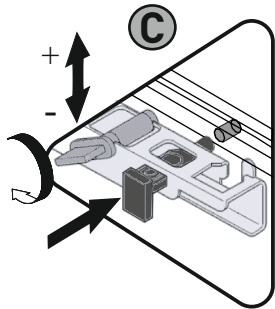
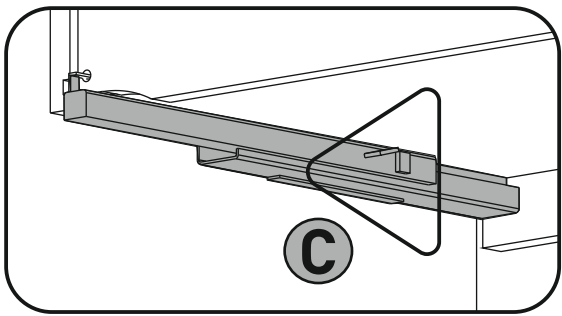
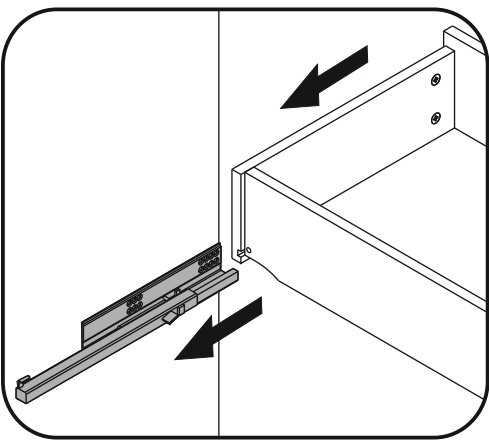
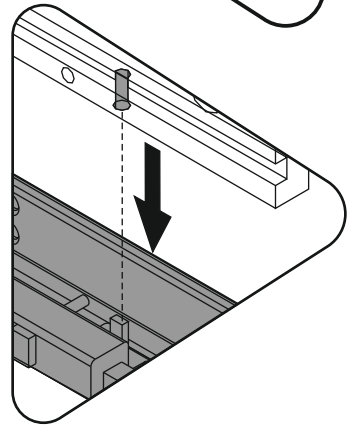
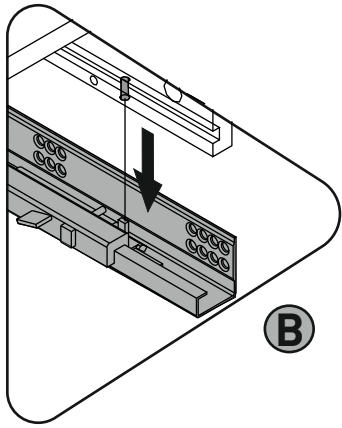
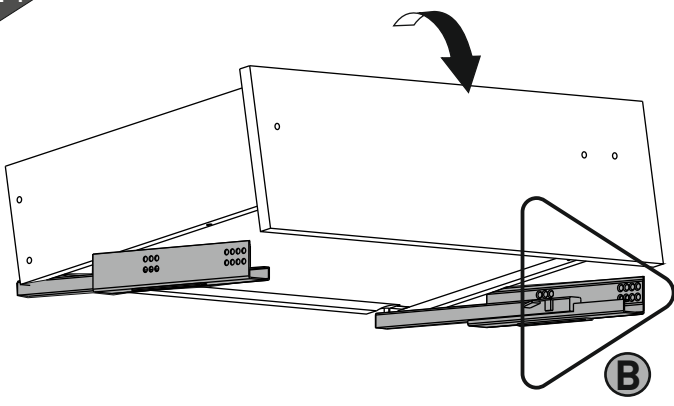




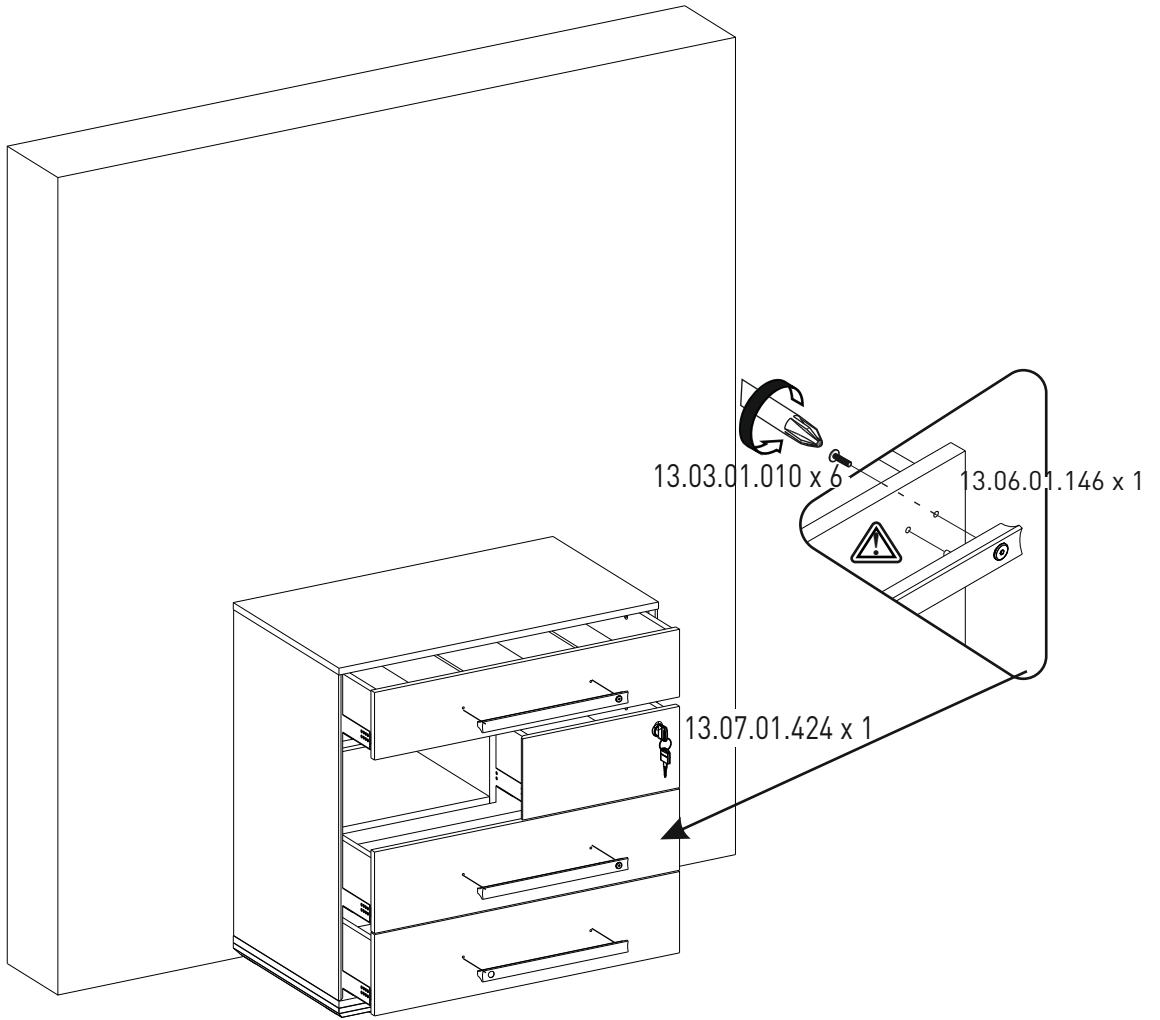
18.40.1601.017
 18.40.1601.014
 18.40.1601.013
 18.40.1601.008



24



25



26

