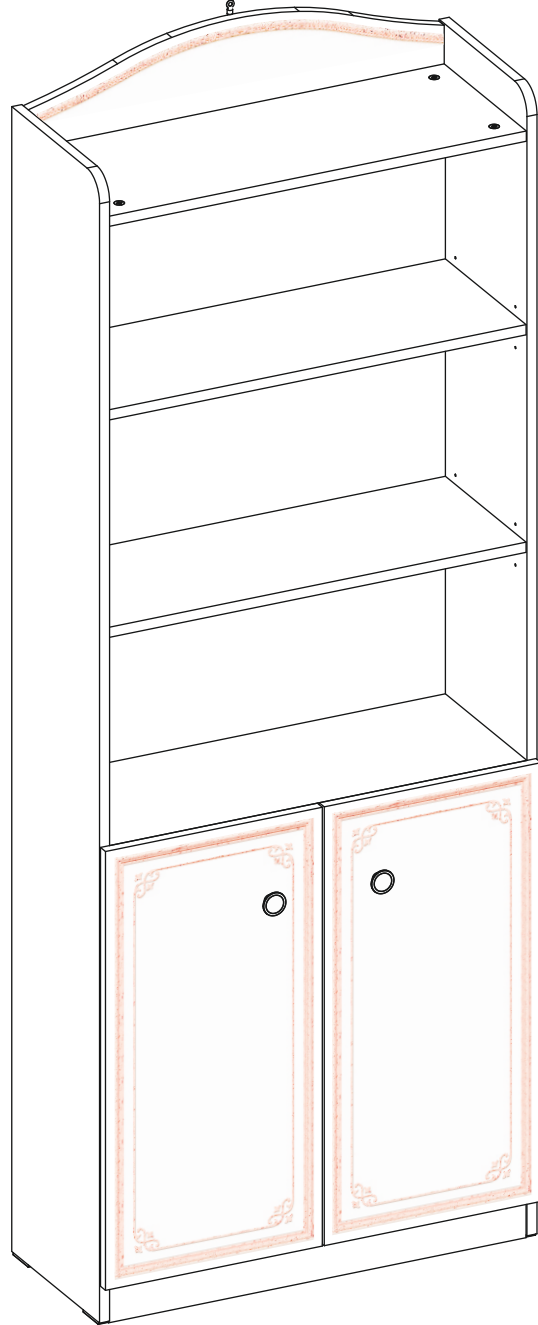
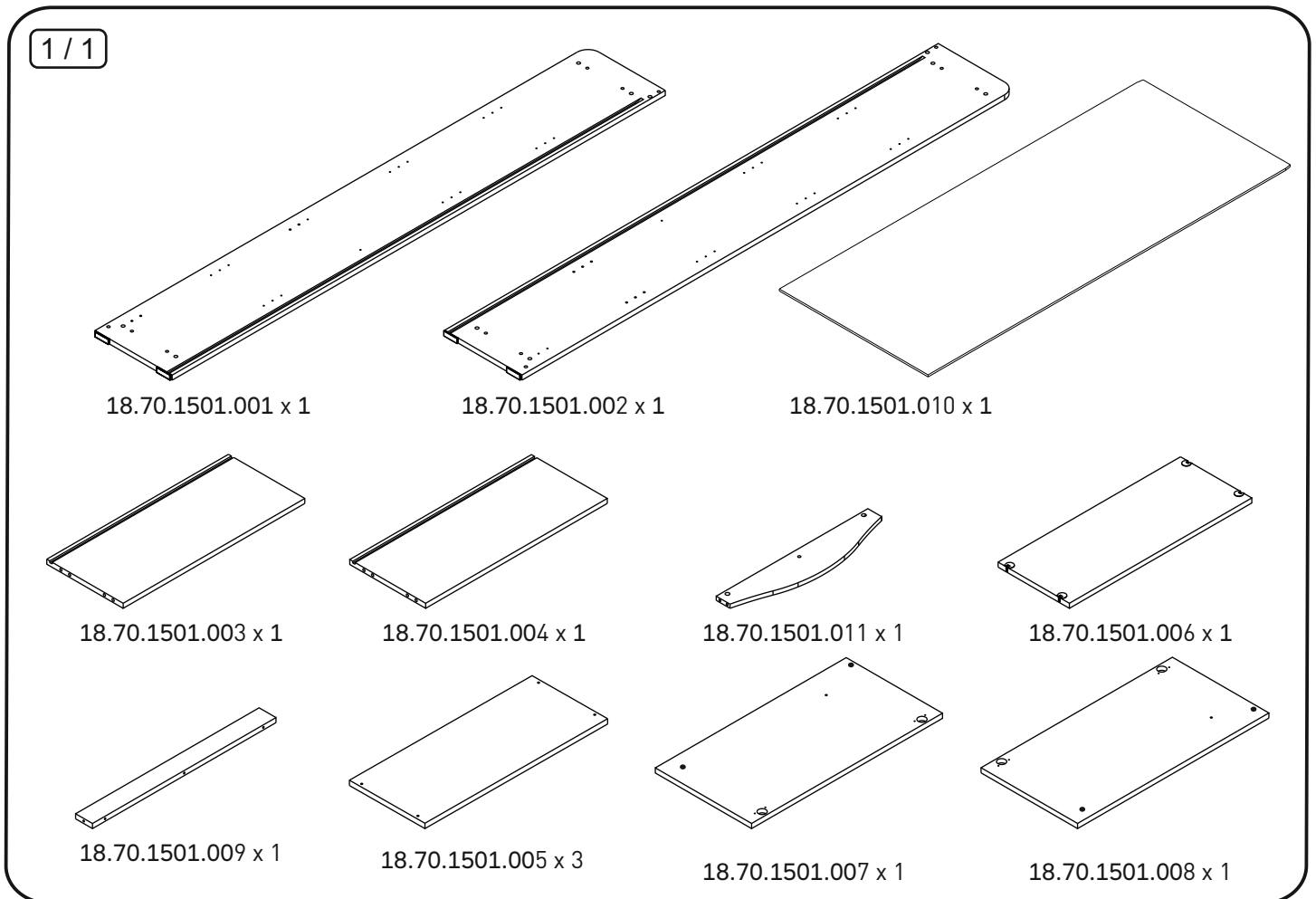
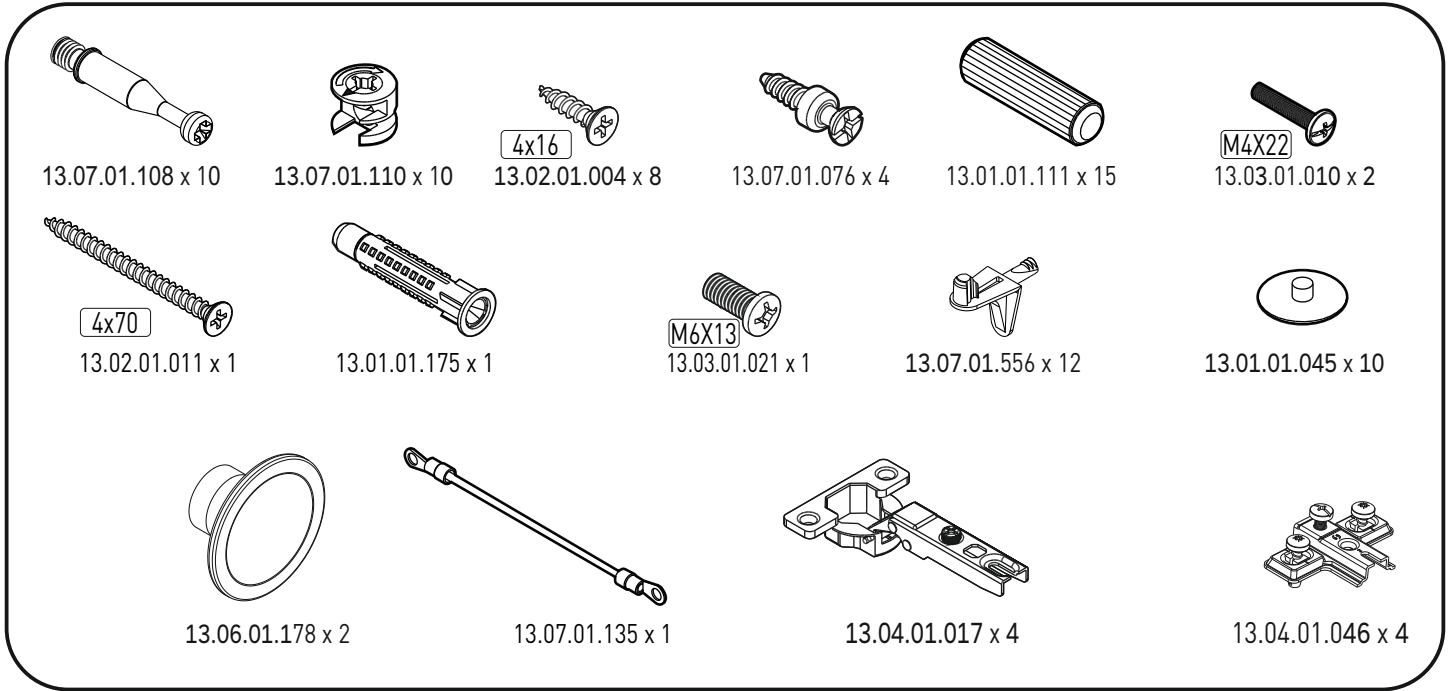
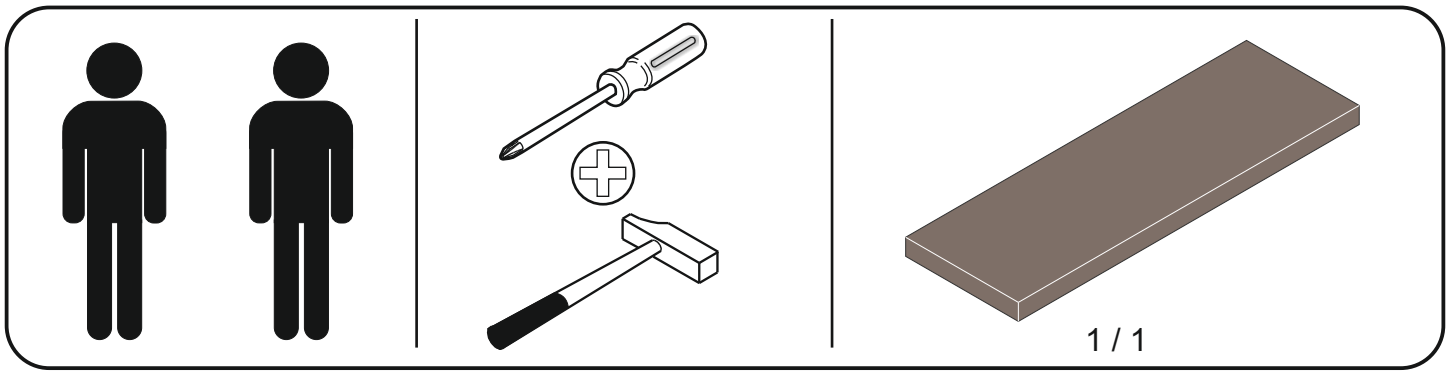
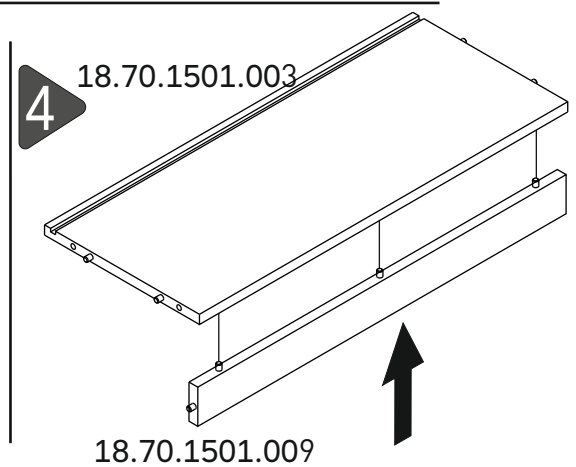
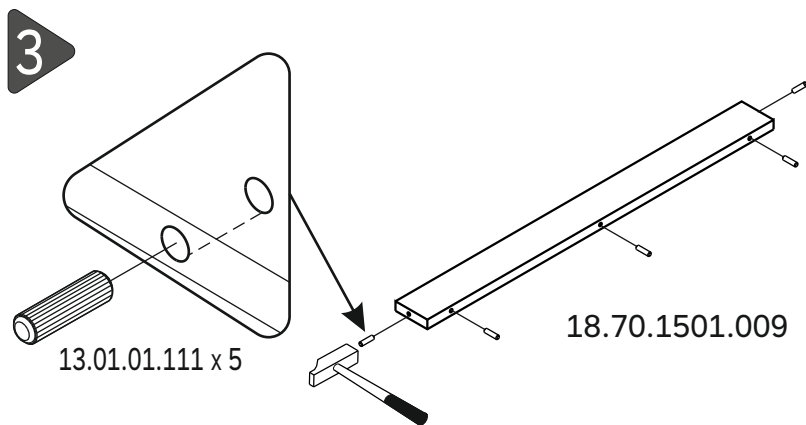
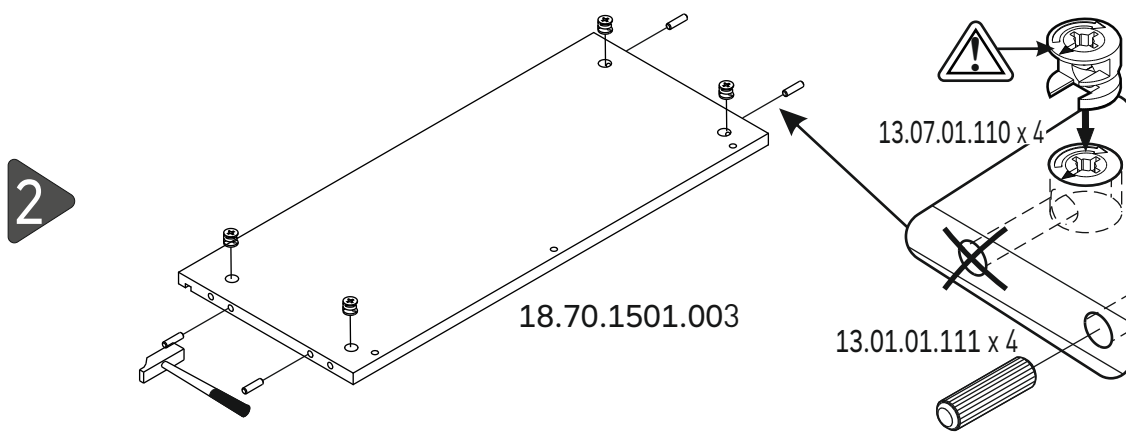
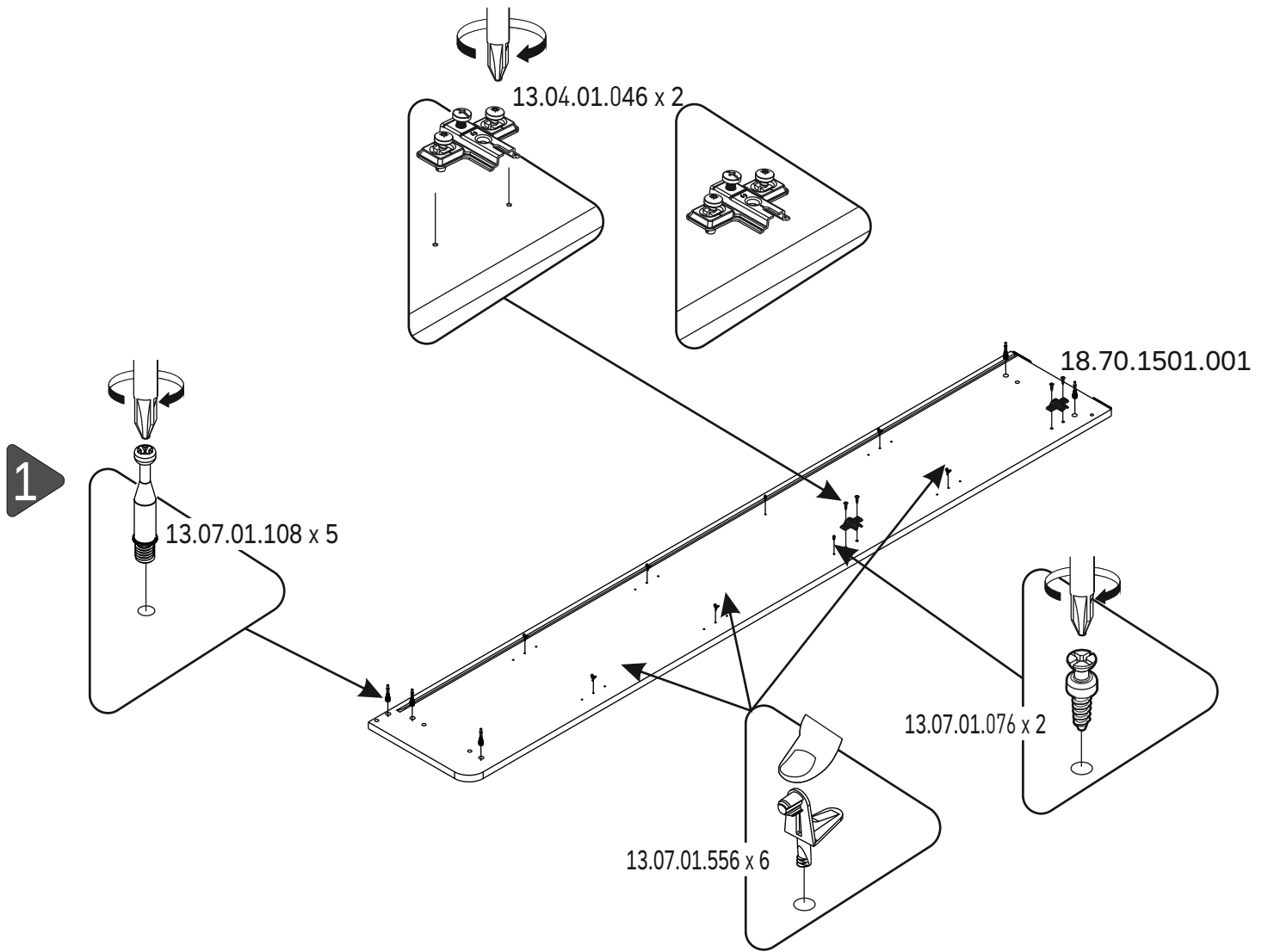
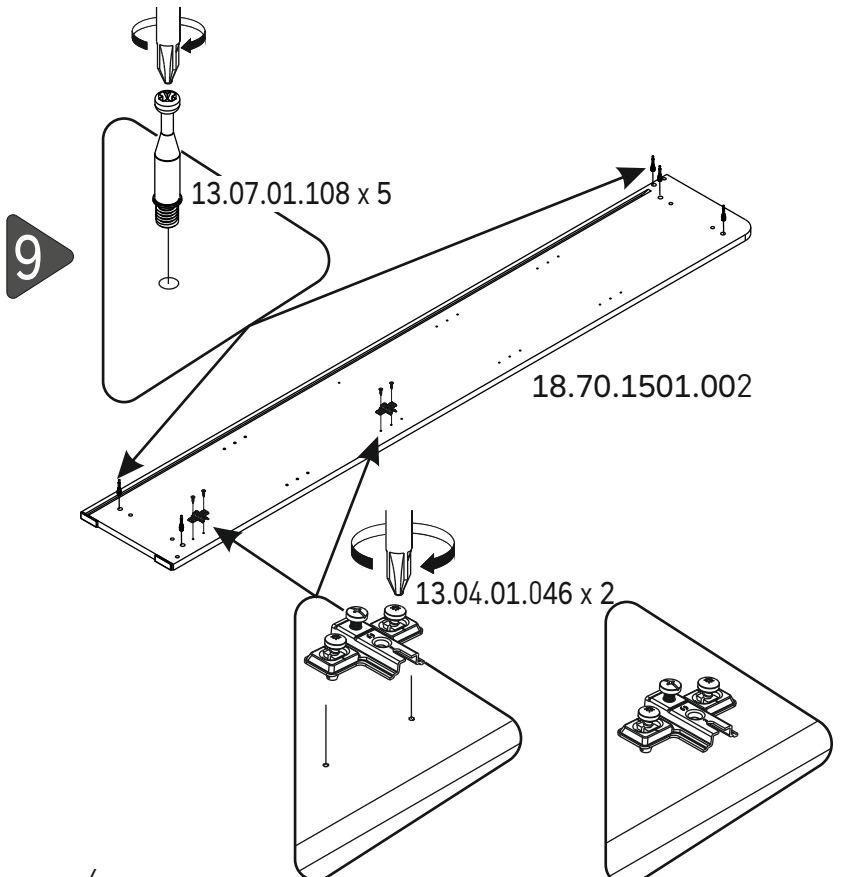
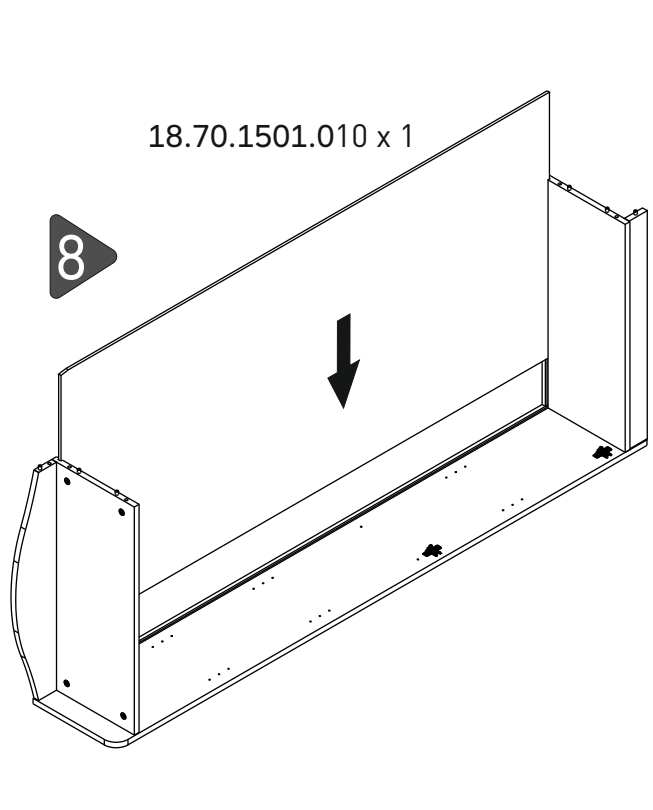
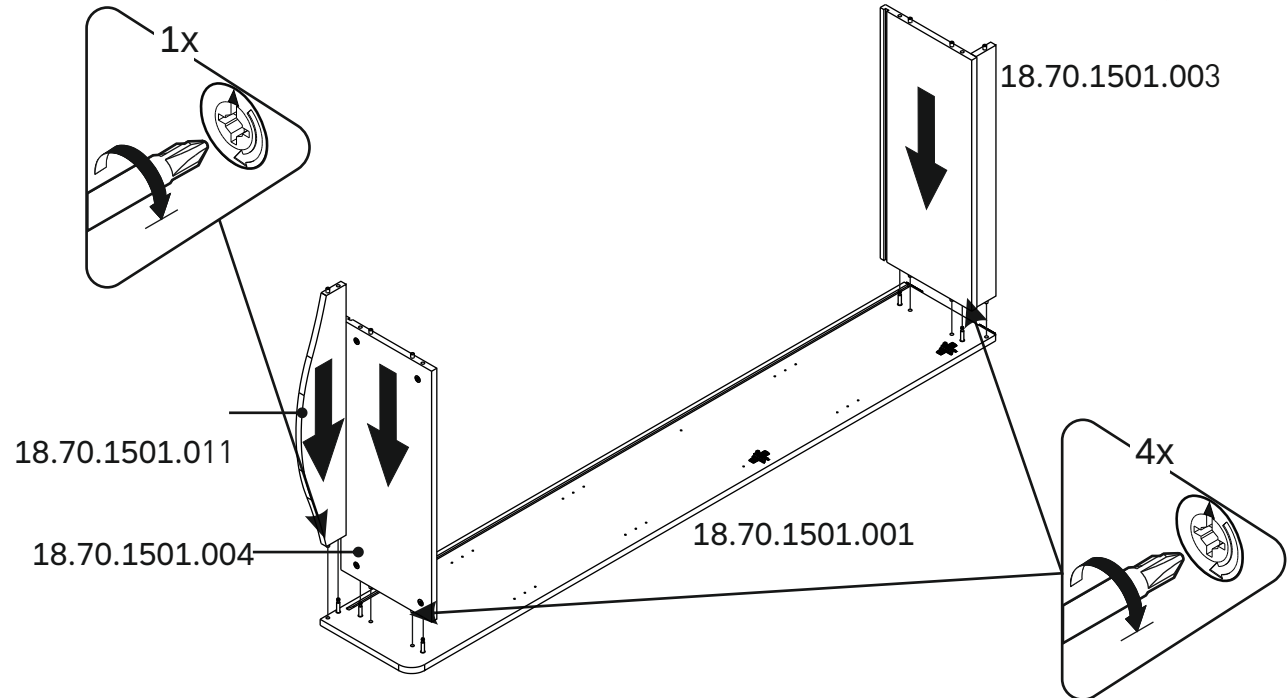
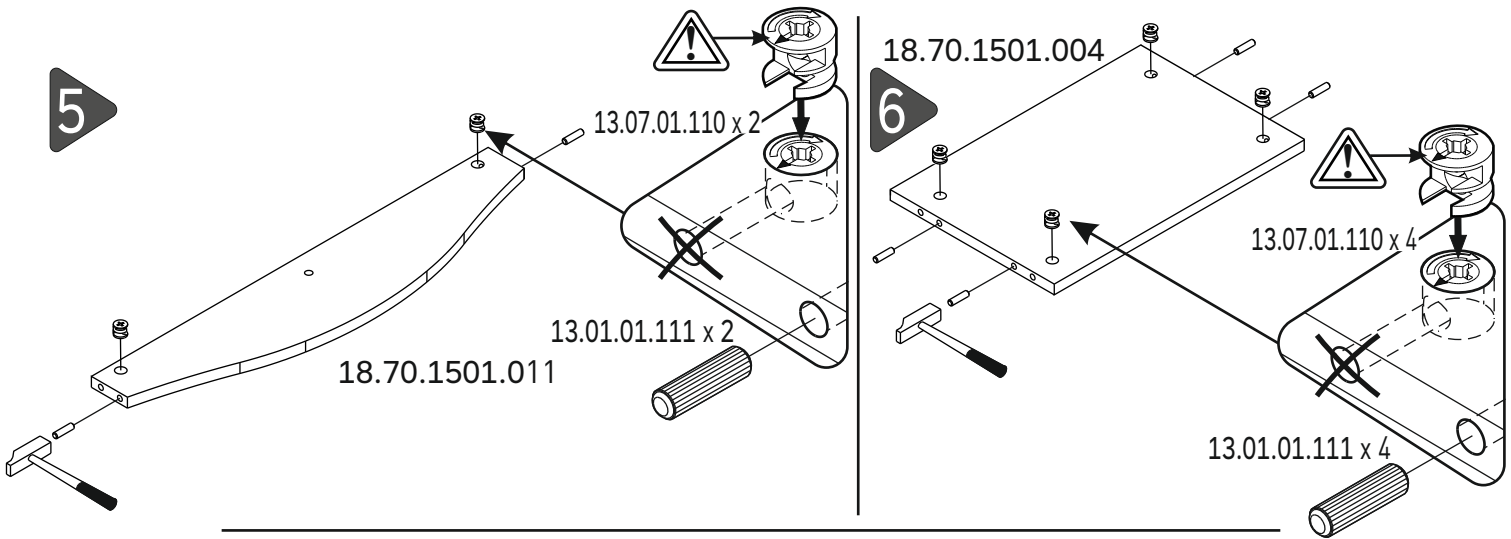


# 20.70.1501.00





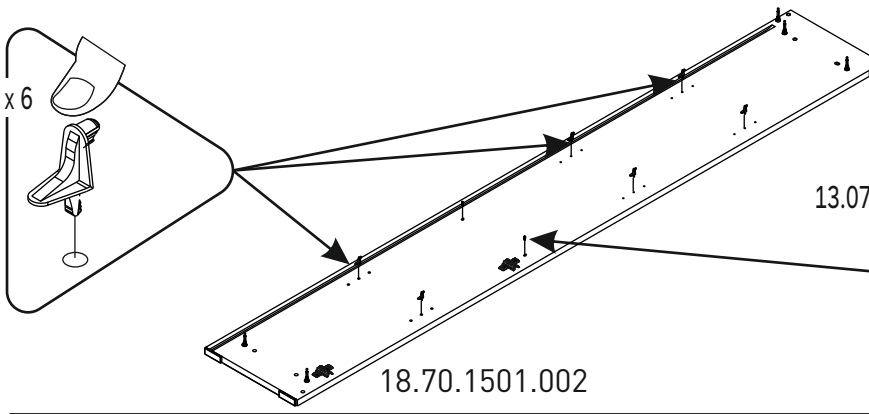






10

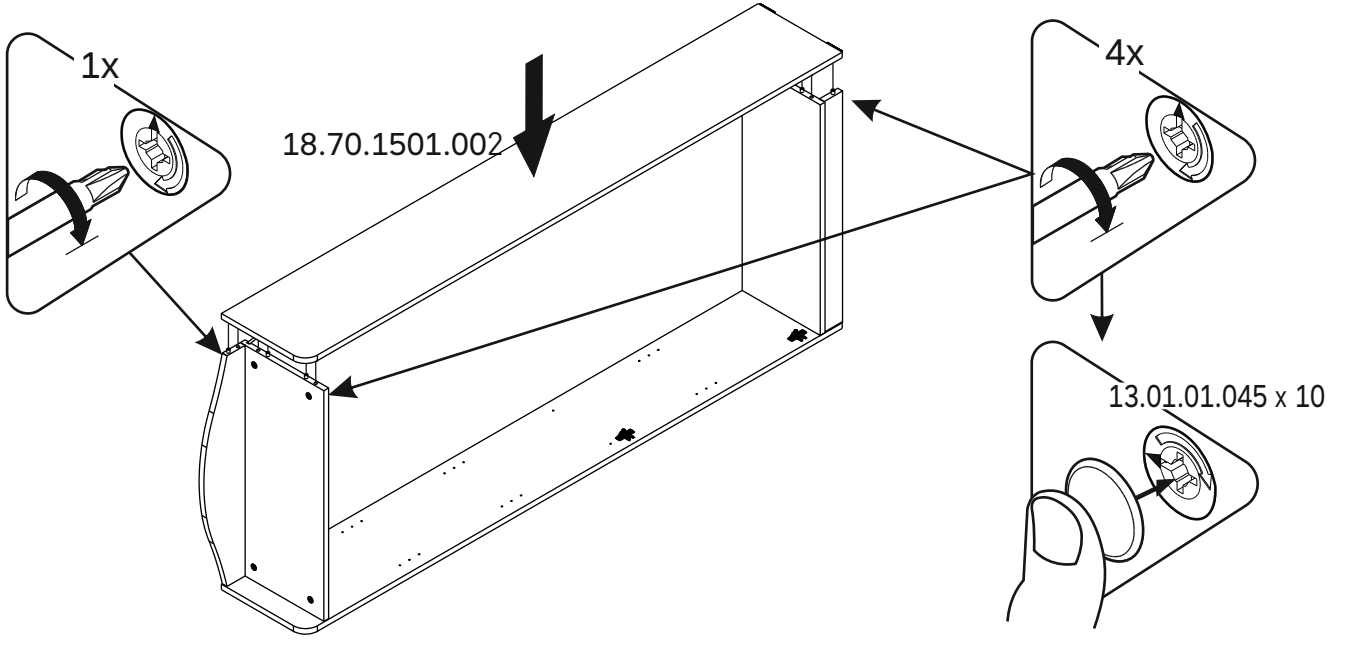
13.07.01.556 x 6



13.07.01.076 x 2

18.70.1501.002

11



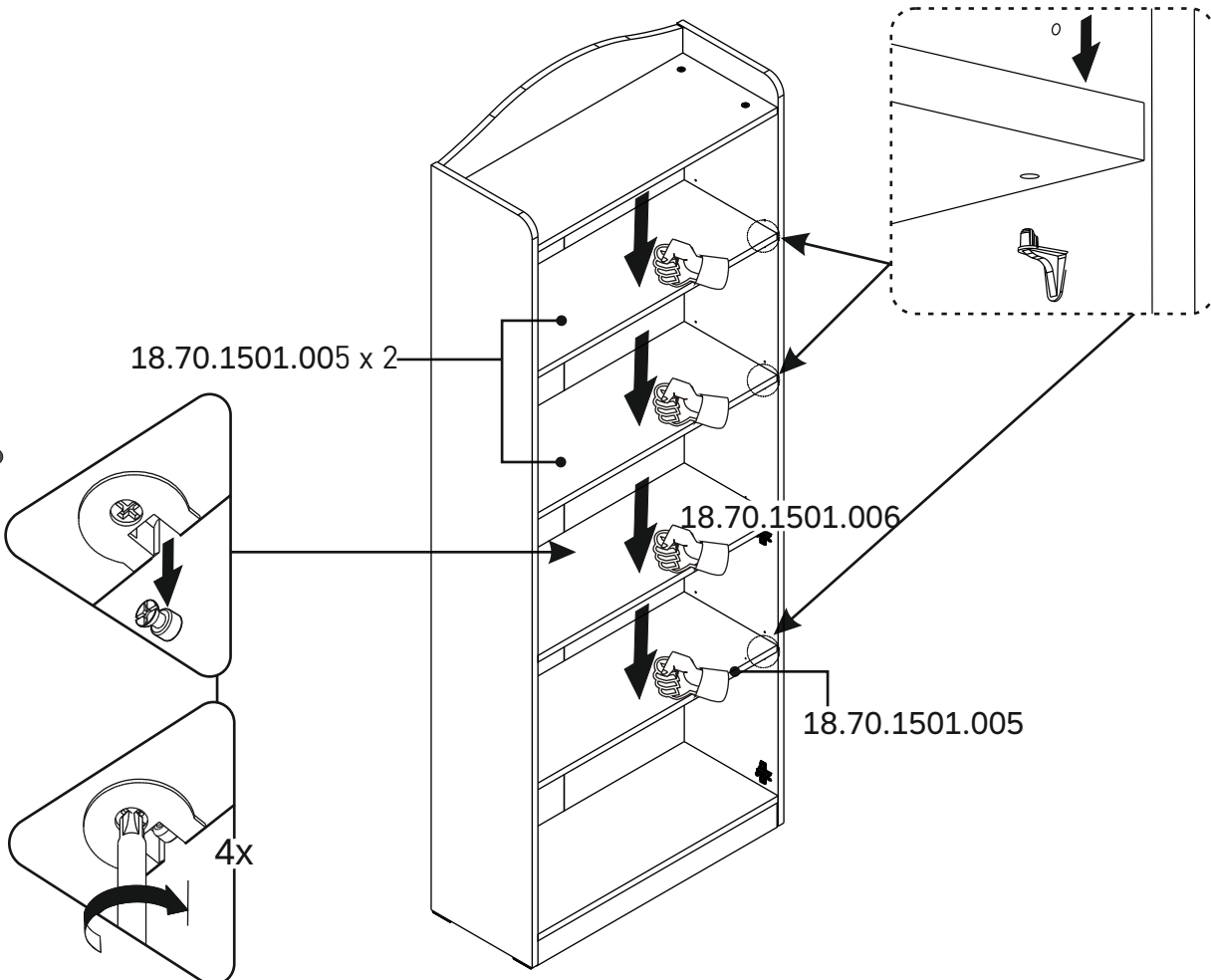
1x

18.70.1501.002

4x

13.01.01.045 x 10

12



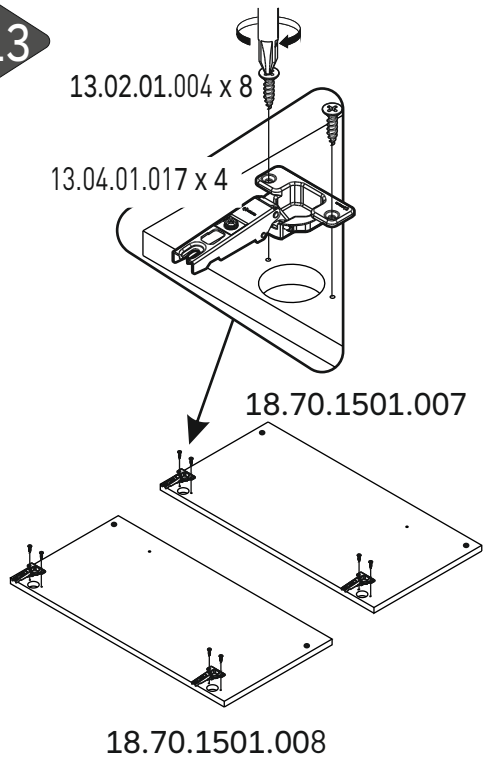
18.70.1501.005 x 2

18.70.1501.006

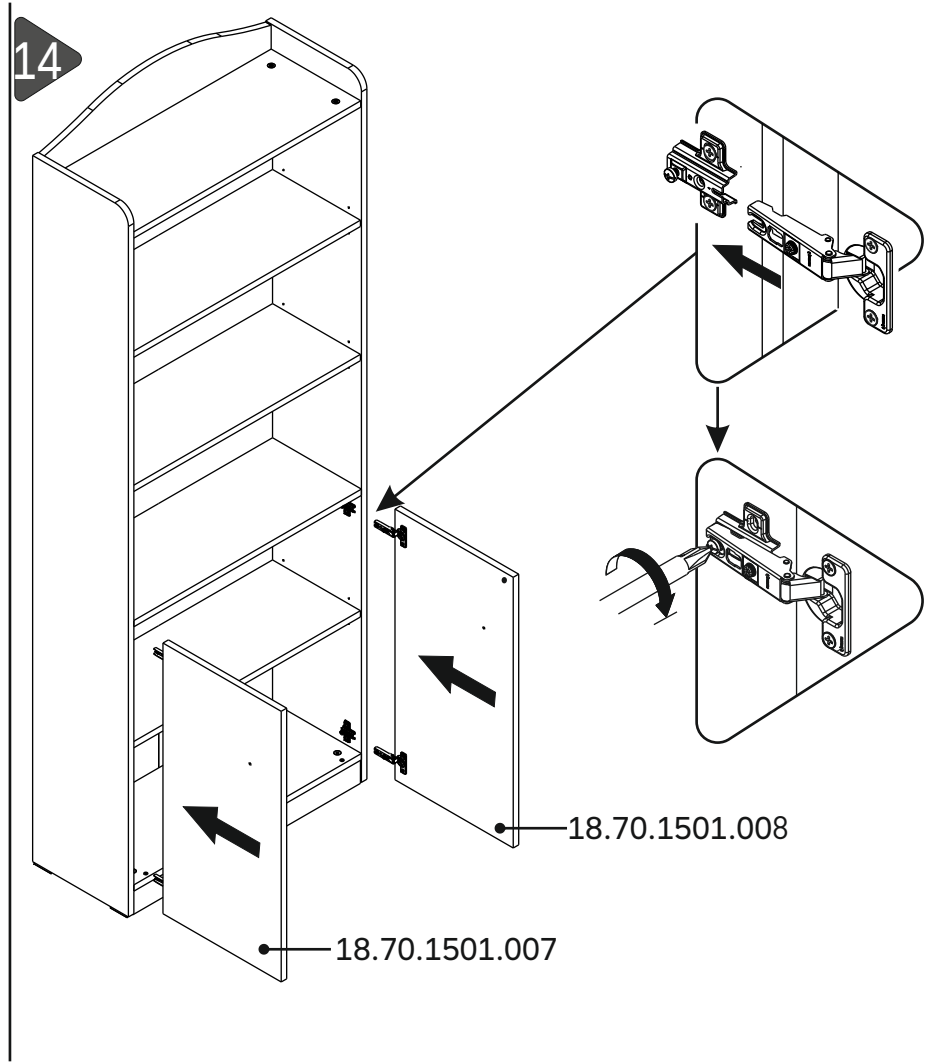
18.70.1501.005

4x

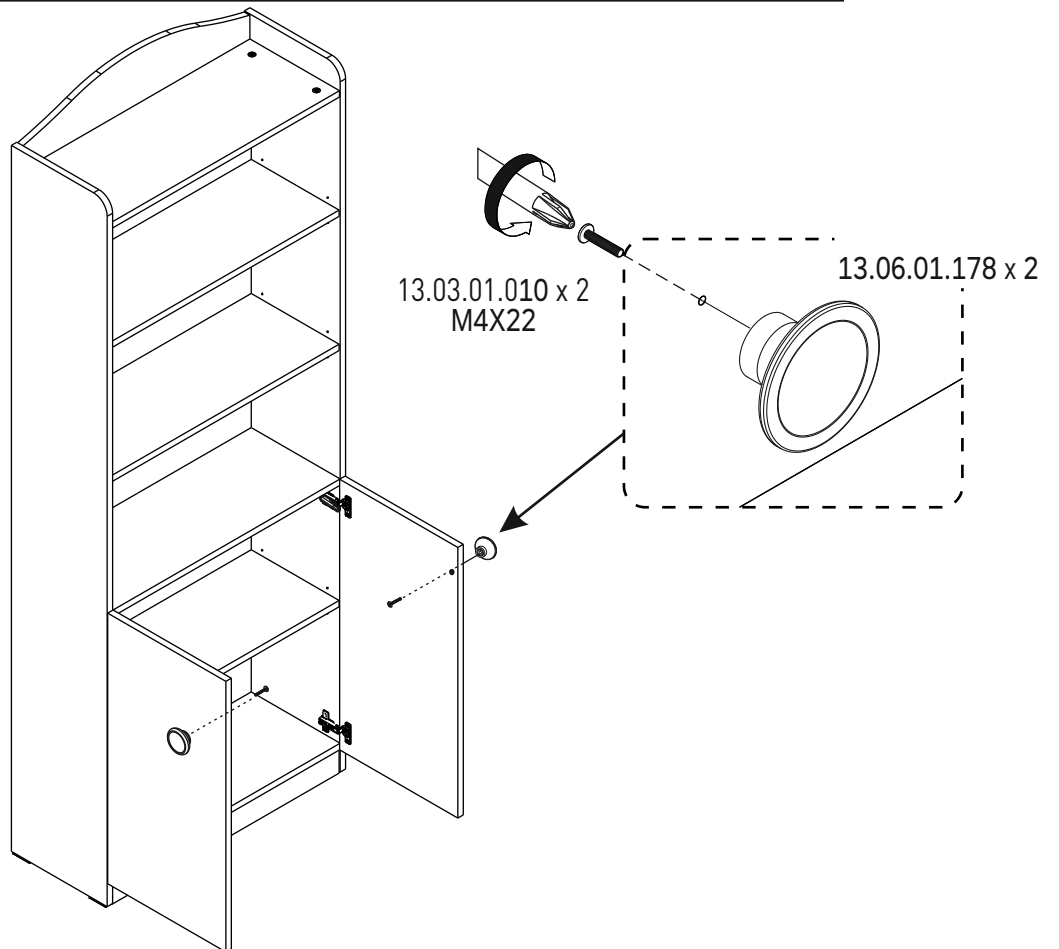
13



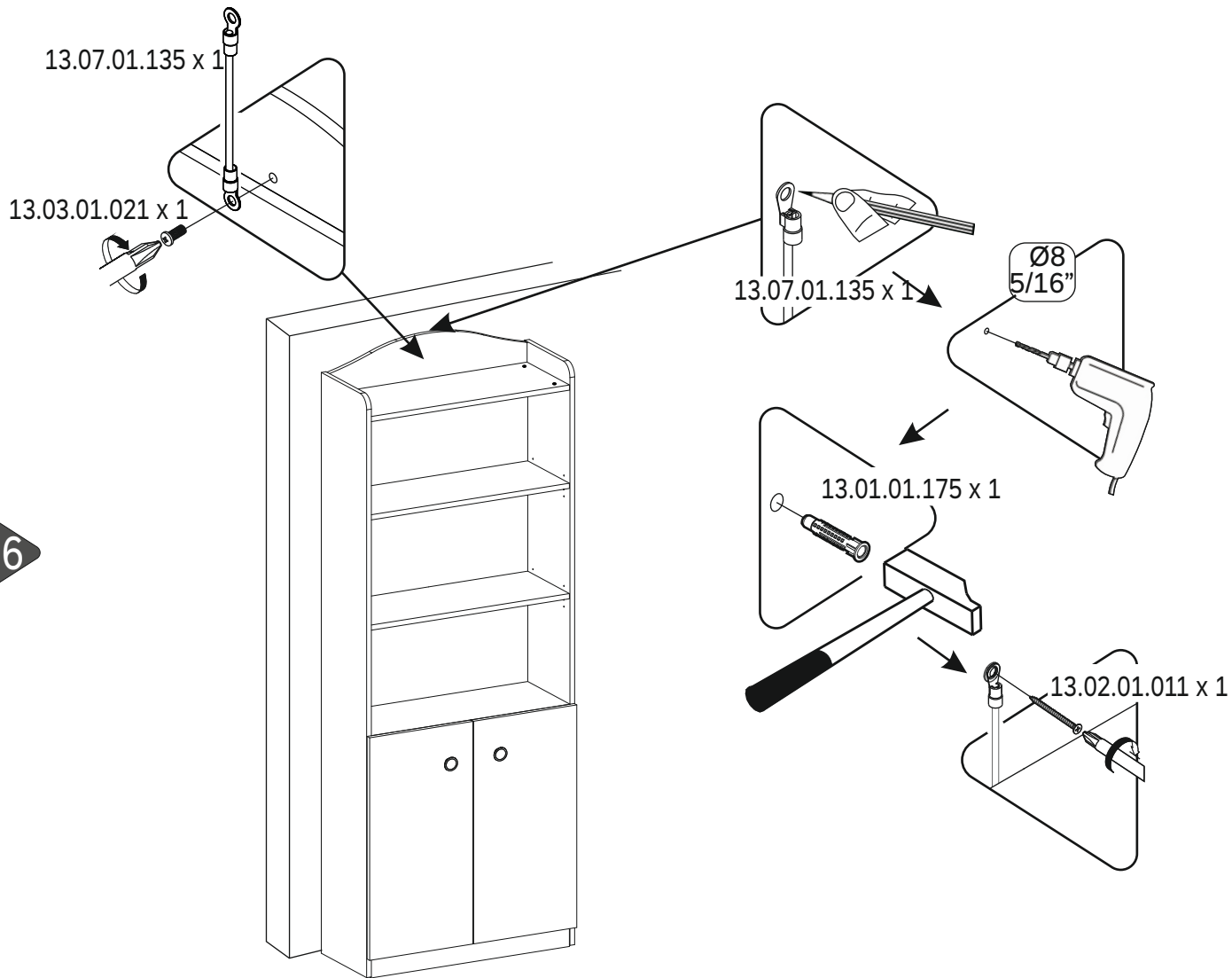
14



15



16



17

