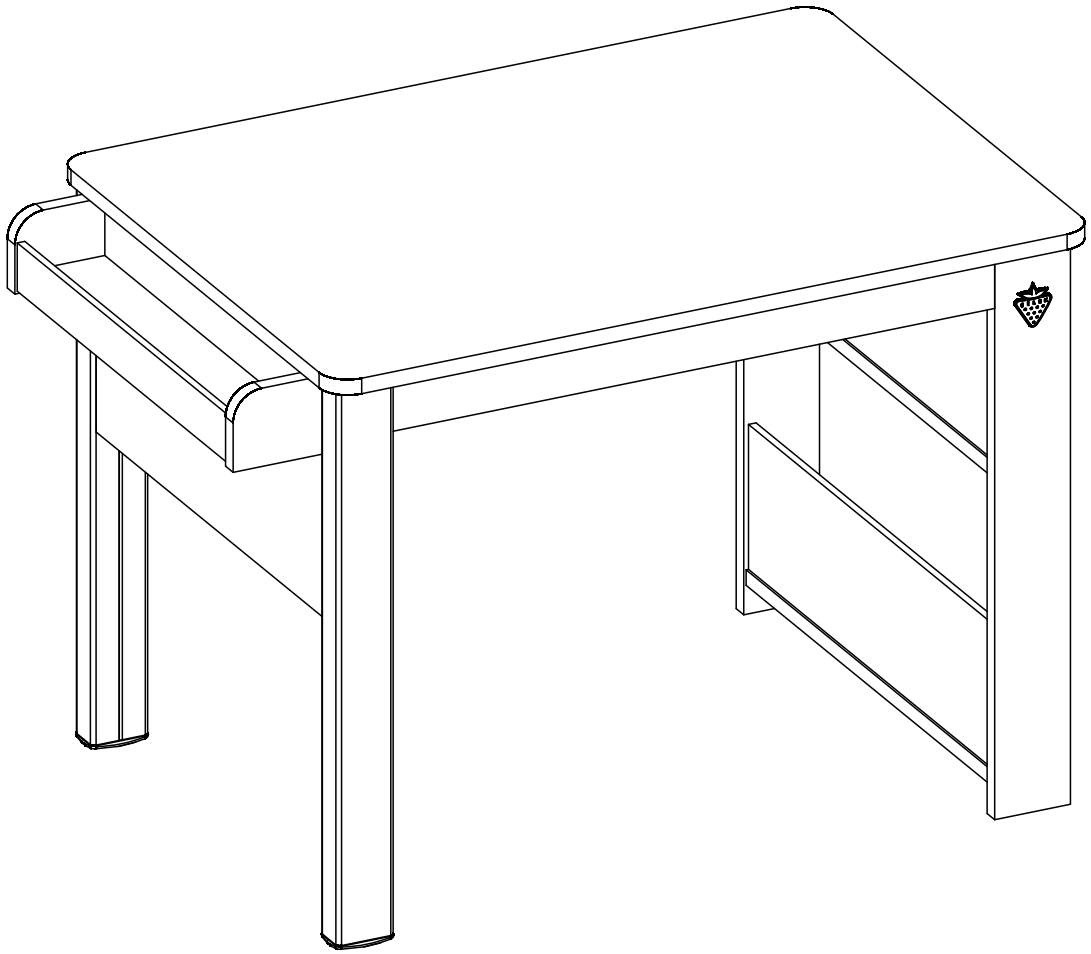
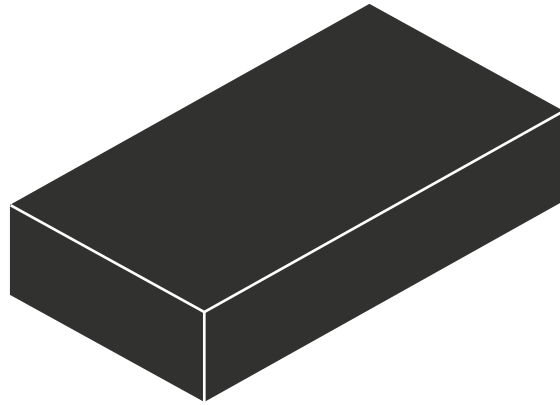
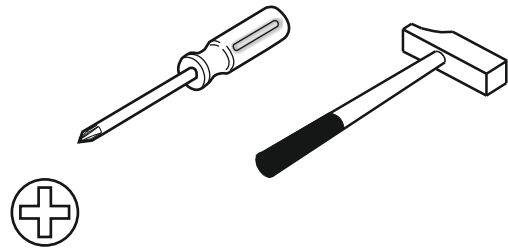
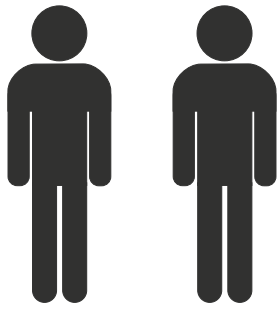


20.77.1101.00

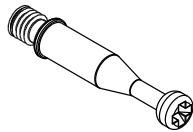




1 / 1



13.01.02.104 x 2



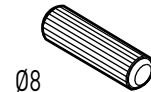
13.07.01.108 x 10



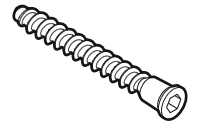
13.07.01.110 x 10



13.01.01.045 x 10



Ø8
13.01.01.111 x 10



13.02.01.019 x 3

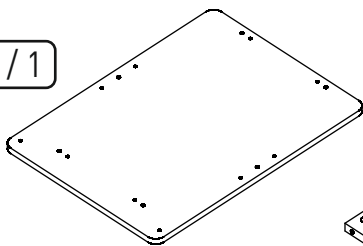


13.07.01.016 x 1

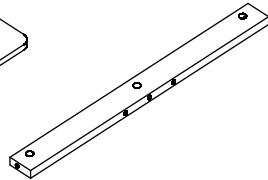


13.01.01.107 x 3

1 / 1

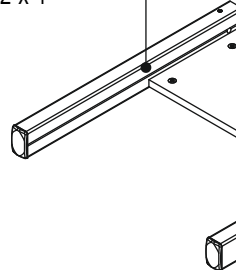


18.77.1101.001 x 1



18.77.1101.009 x 2

18.77.1101.002 x 1



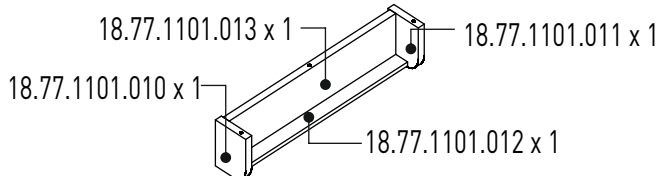
18.77.1101.006 x 1

18.77.1101.003 x 1

18.77.1101.016 x 1

18.77.1101.008 x 2

18.77.1101.007 x 1



18.77.1101.015 x 1

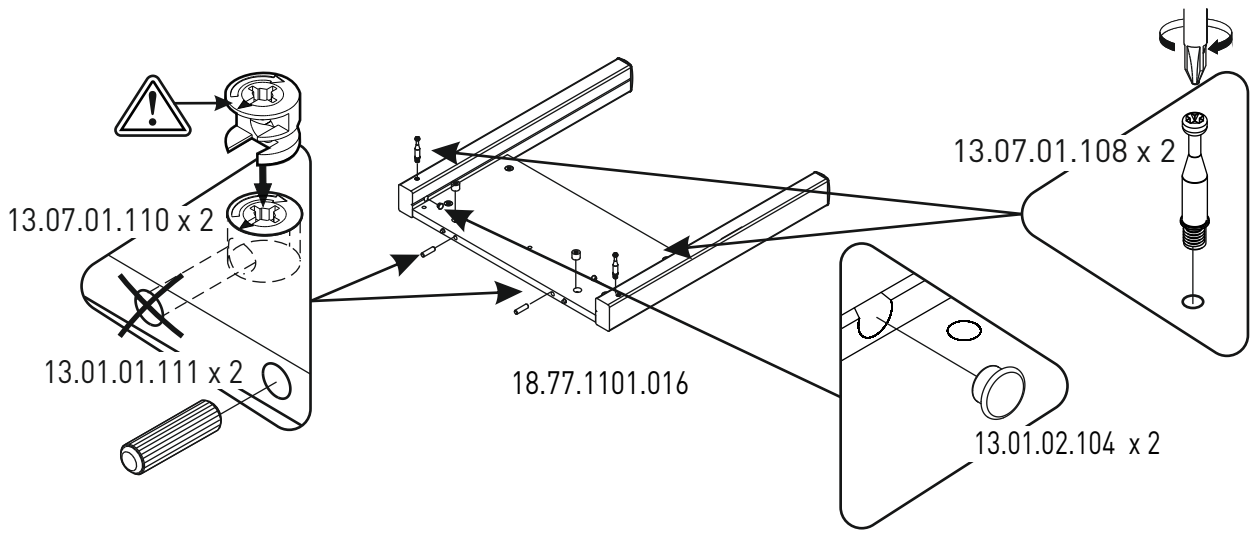
18.77.1101.014 x 1

18.77.1101.005 x 1

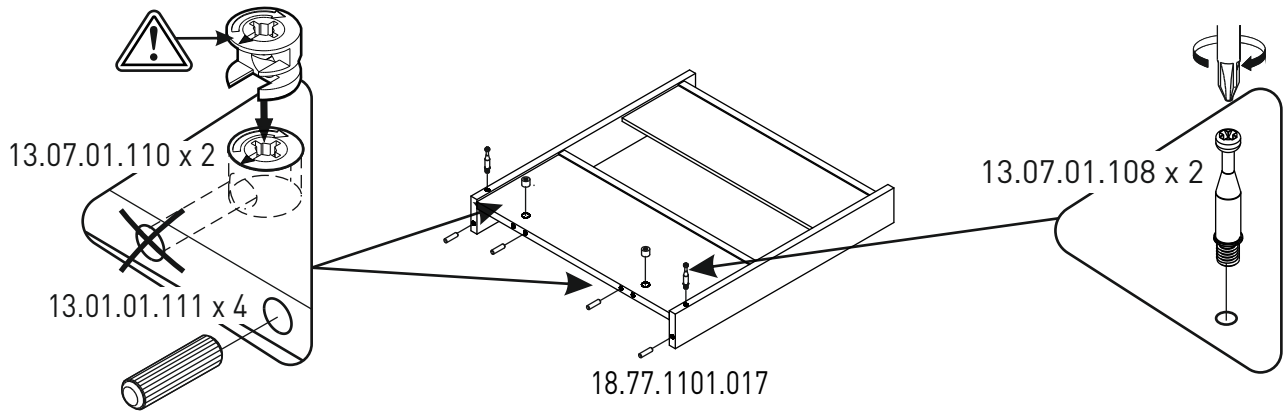
18.77.1101.017 x 1

18.77.1101.004 x 1

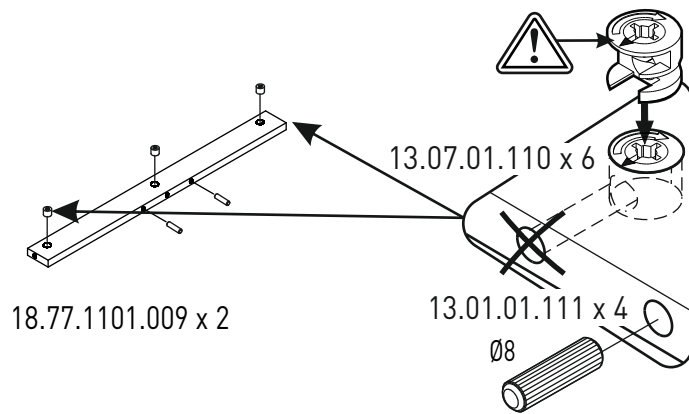
1



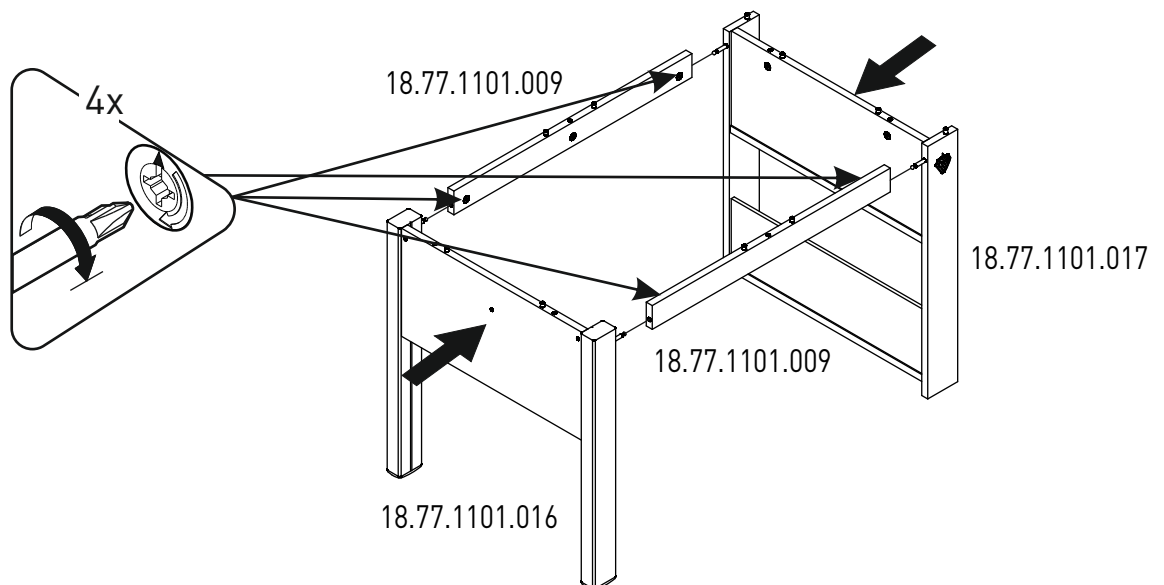
2



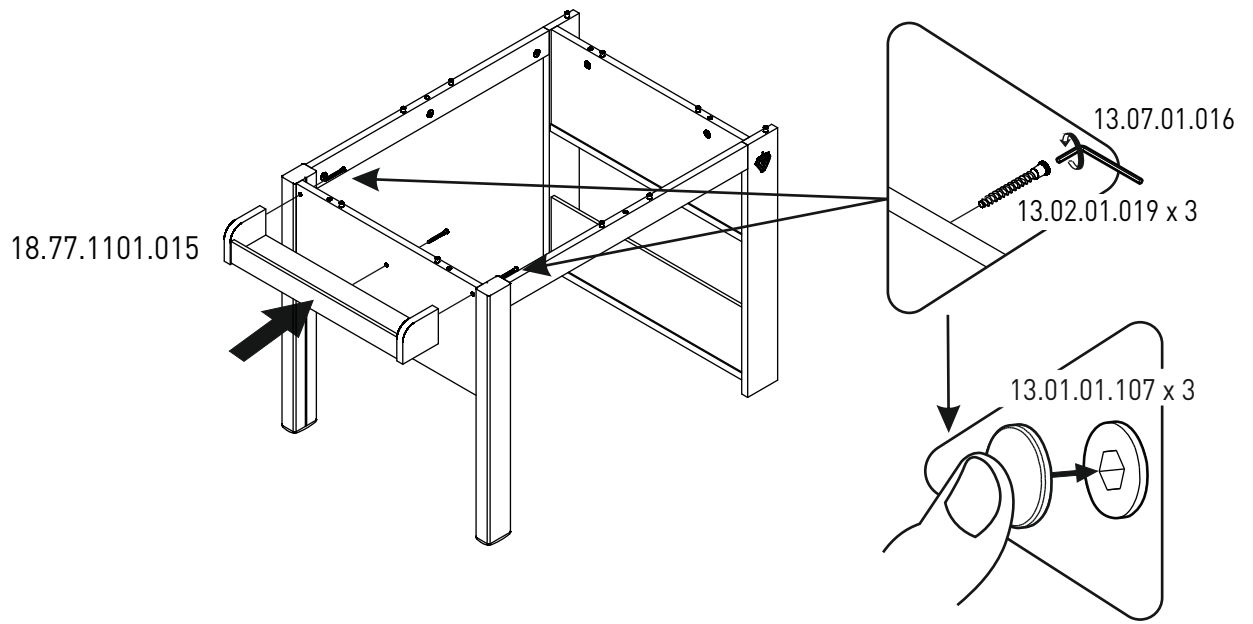
3



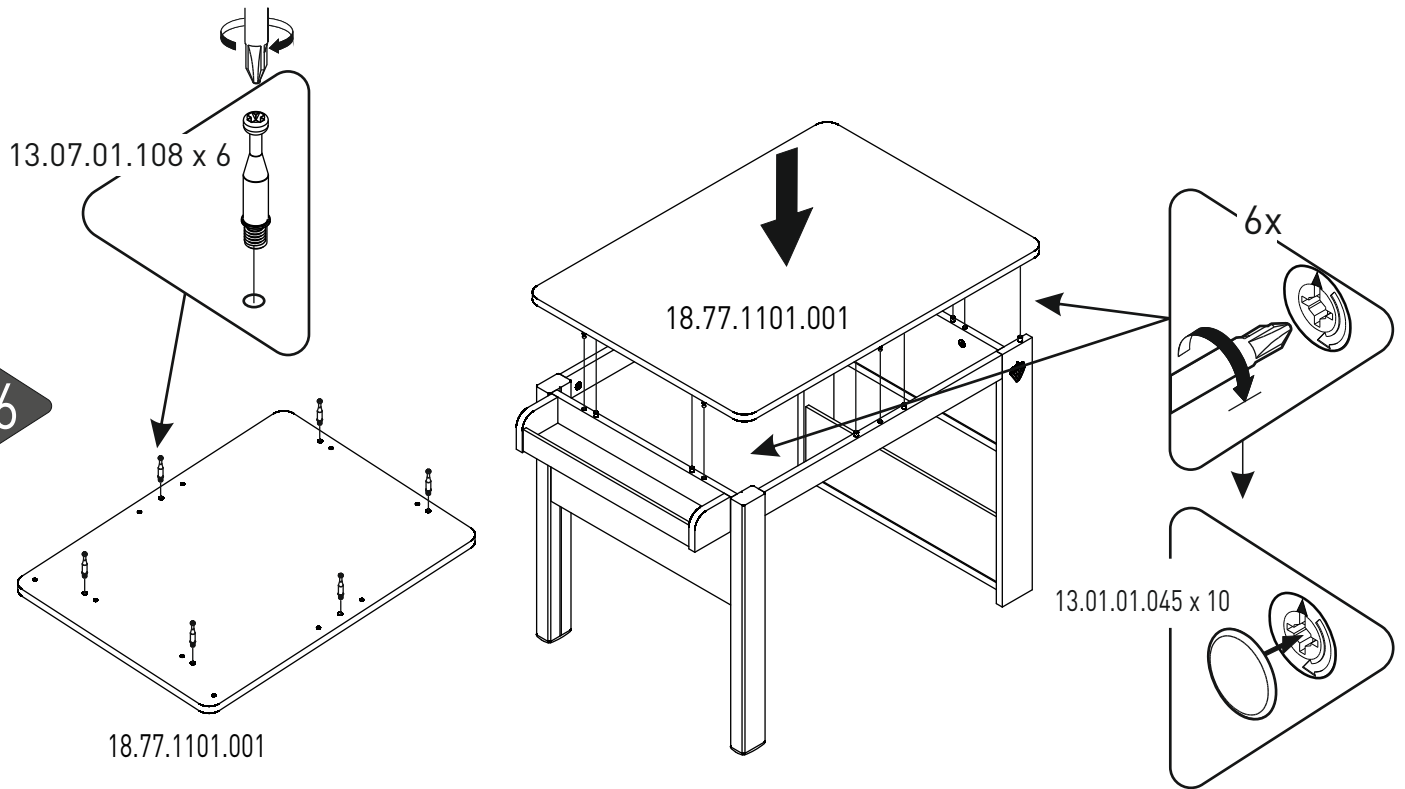
4



5



6



i

