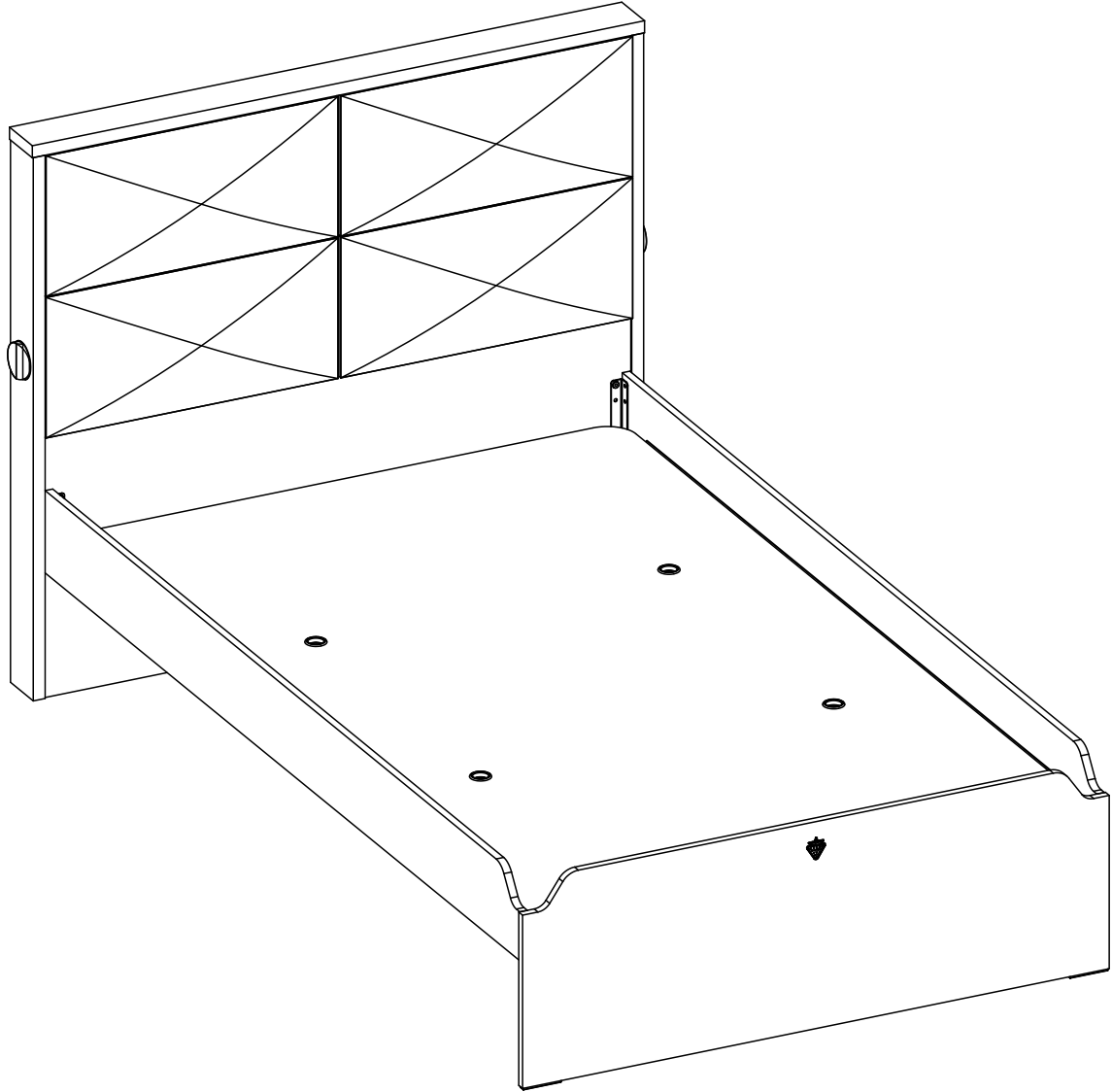
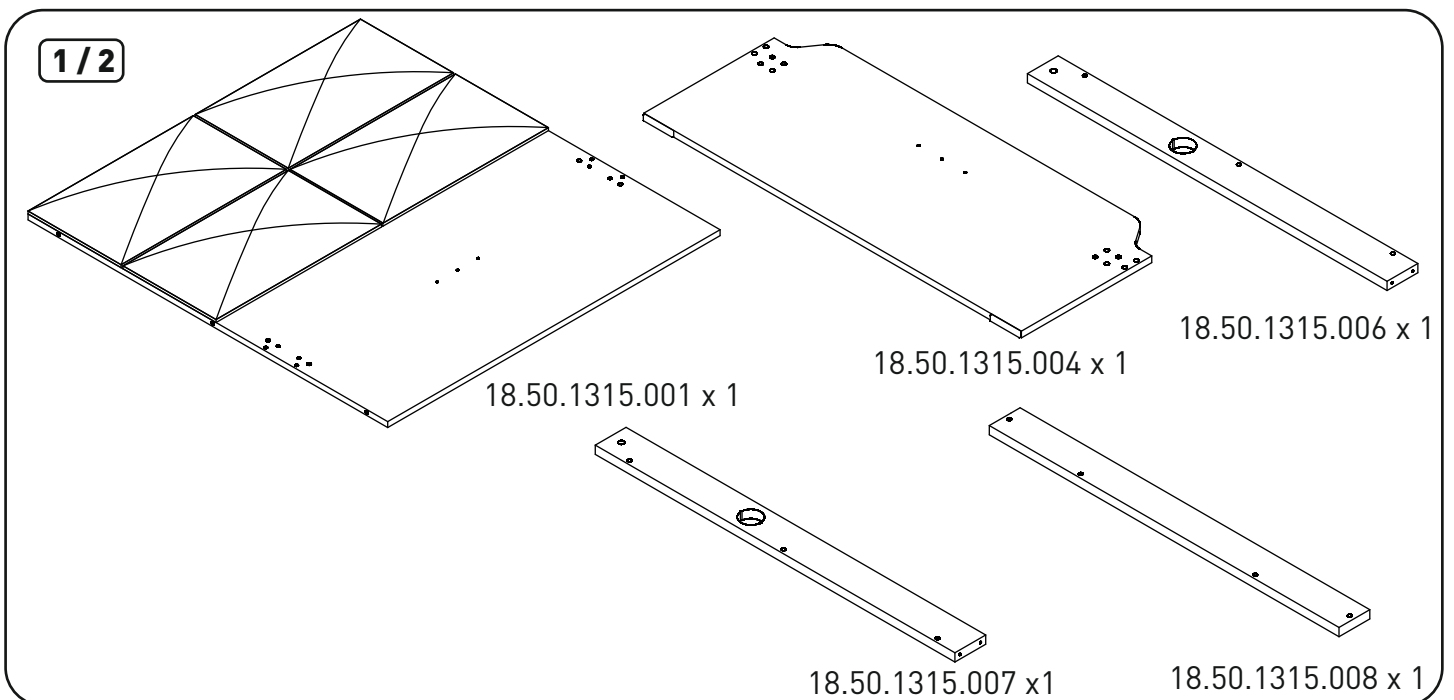
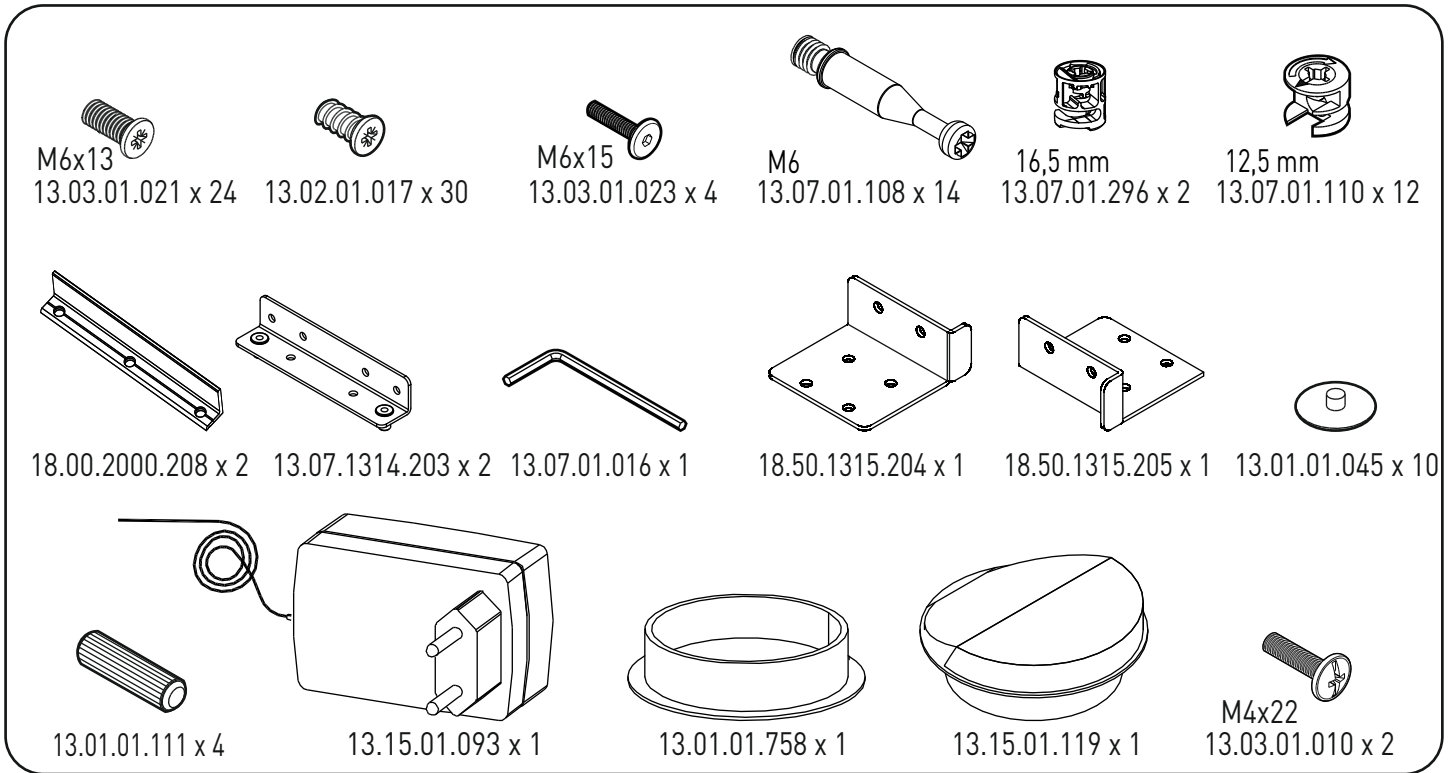
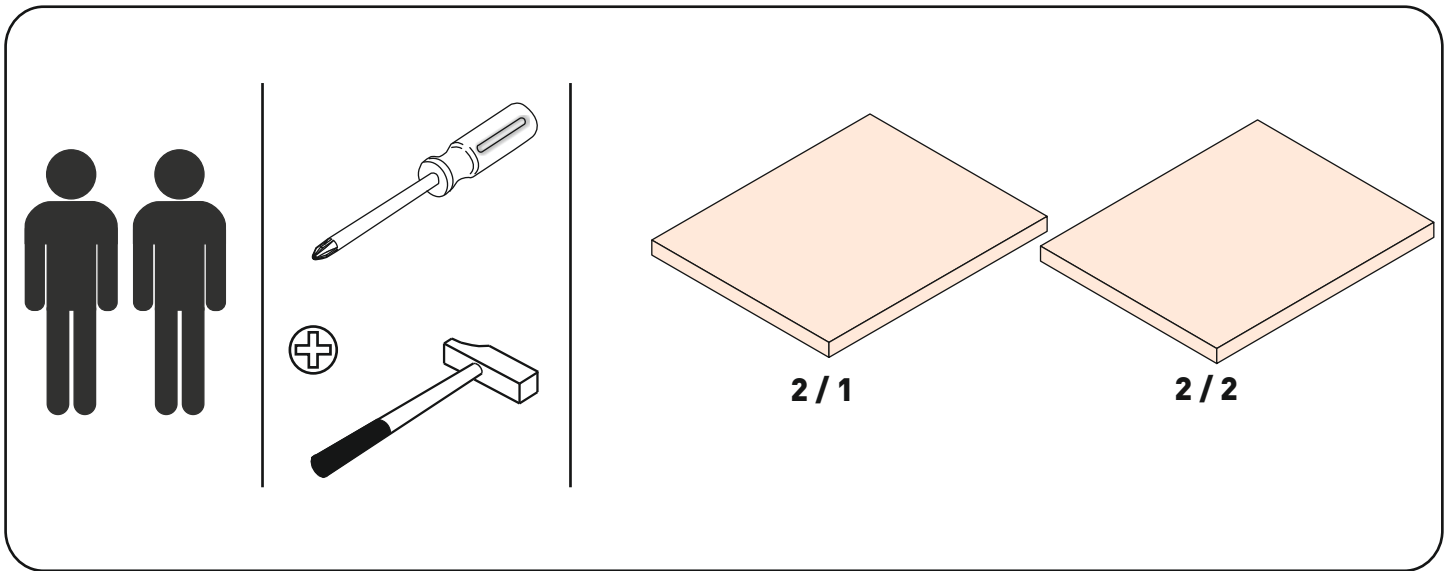
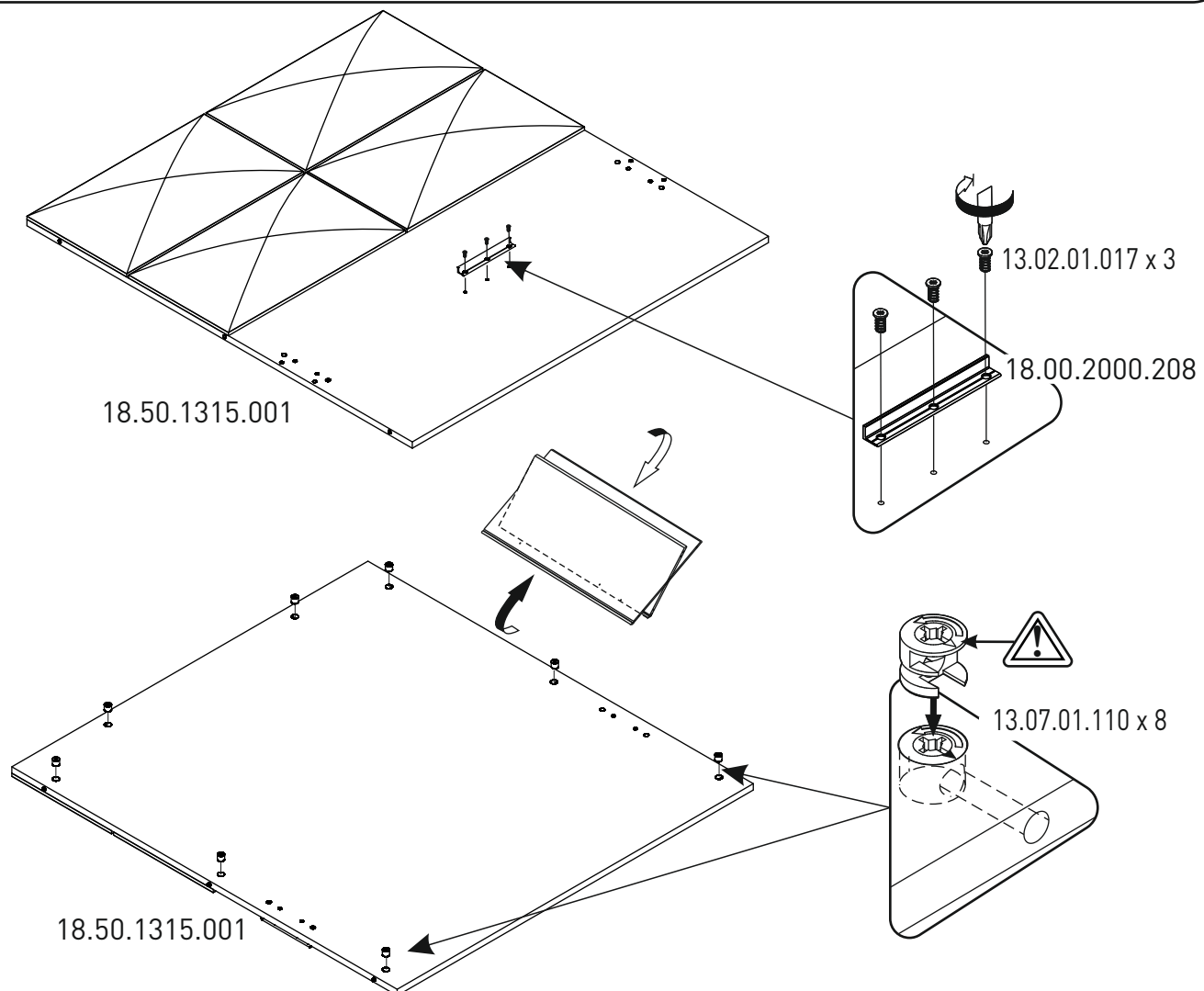
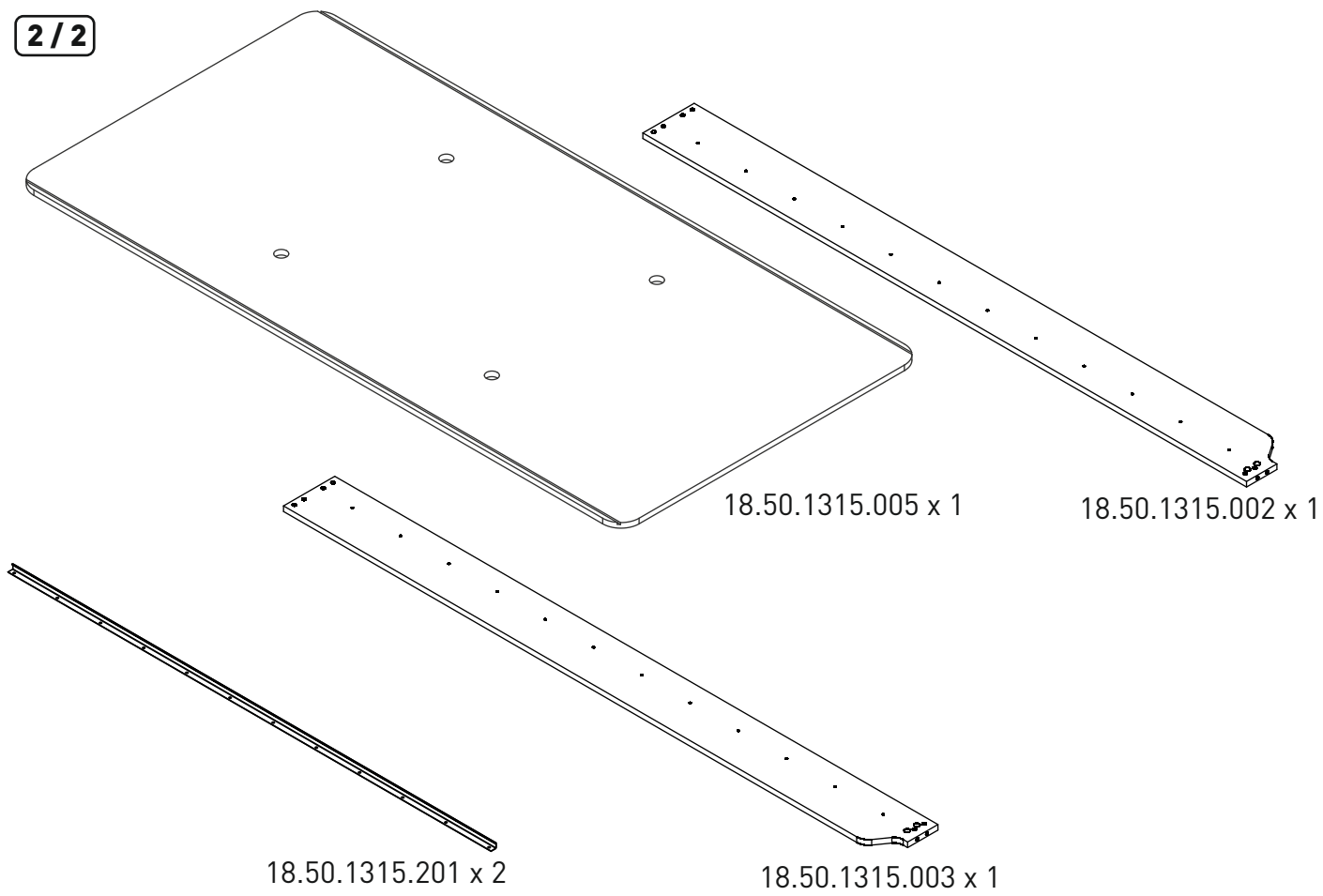


20.50.1315.00

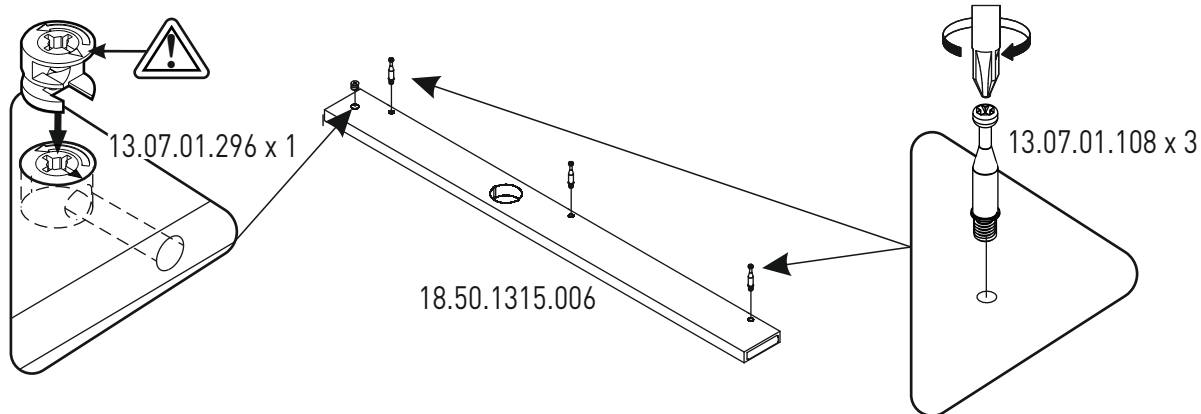




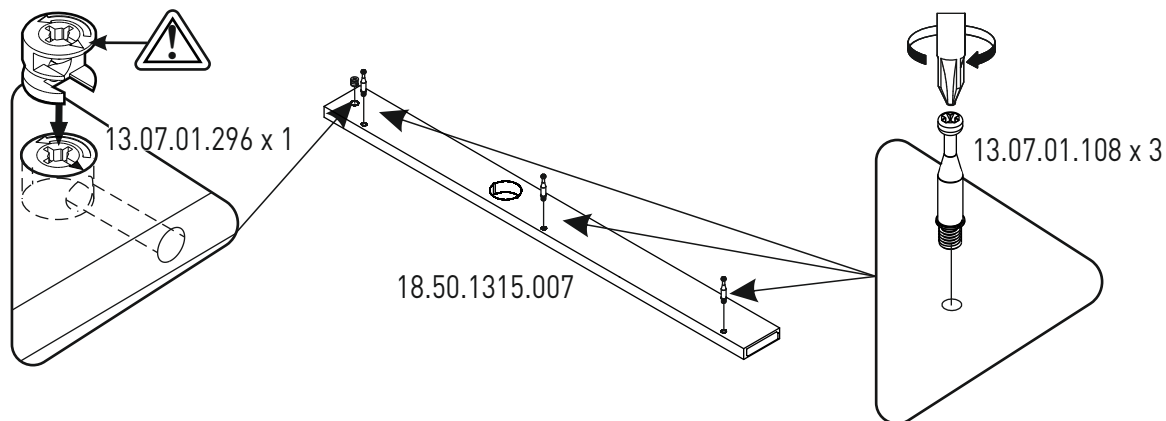
2/2



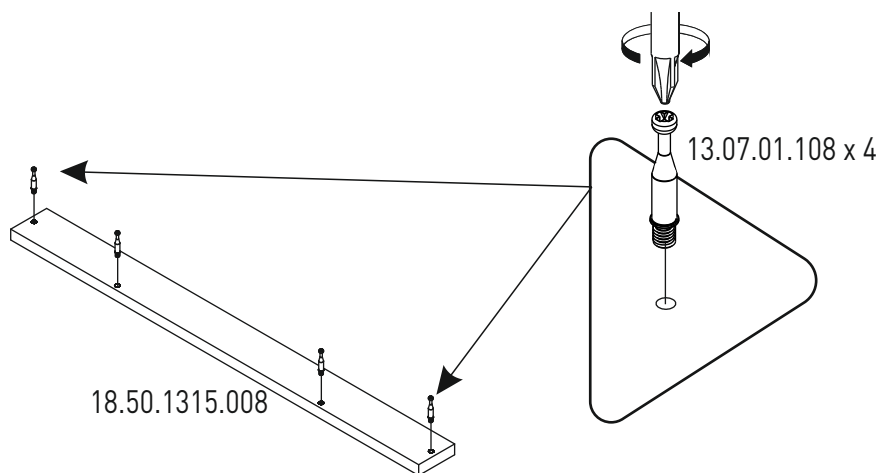
2



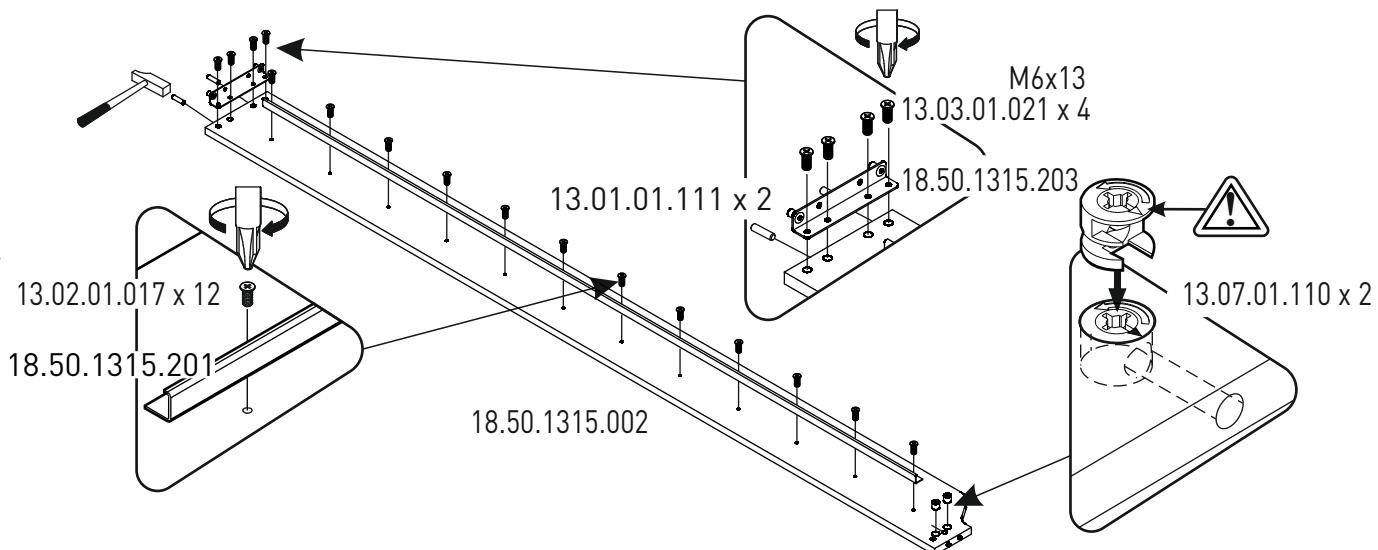
3

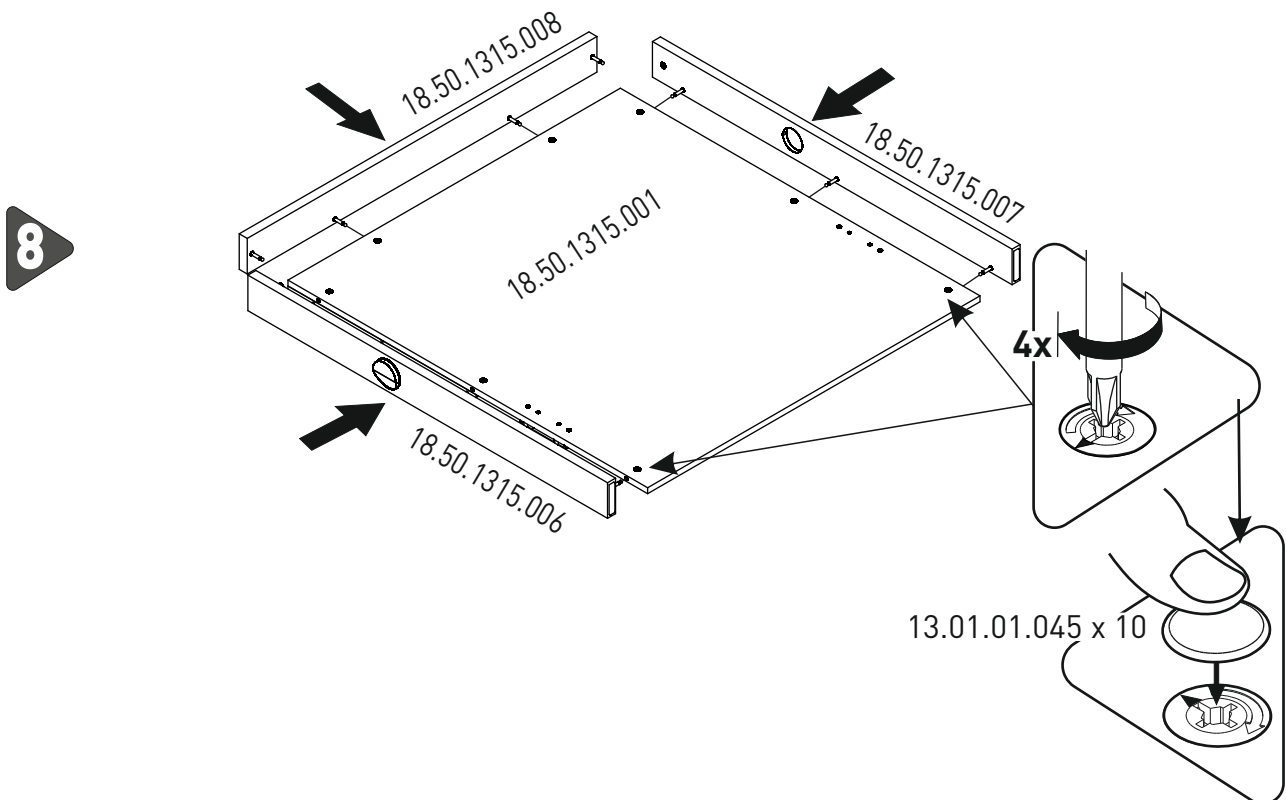
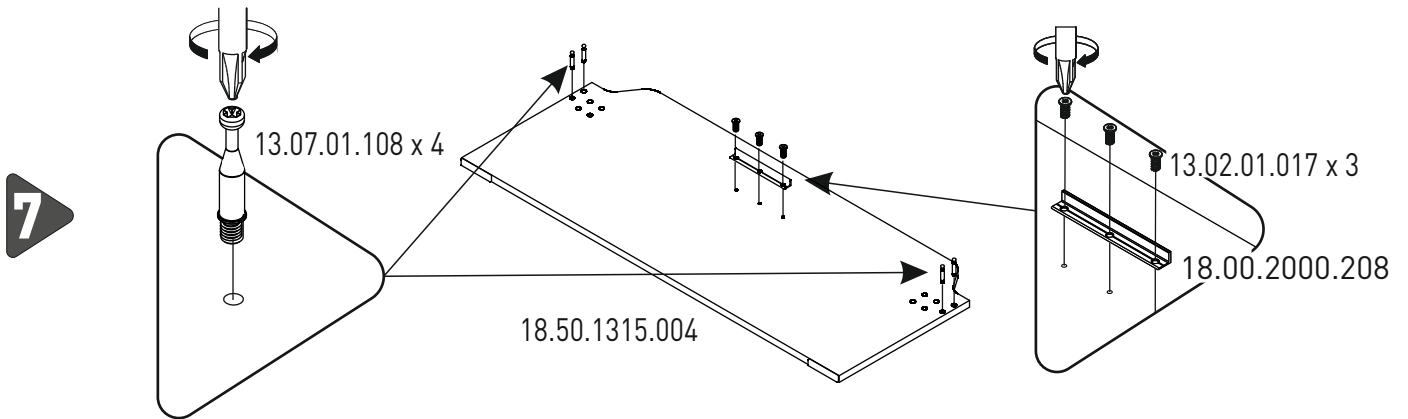
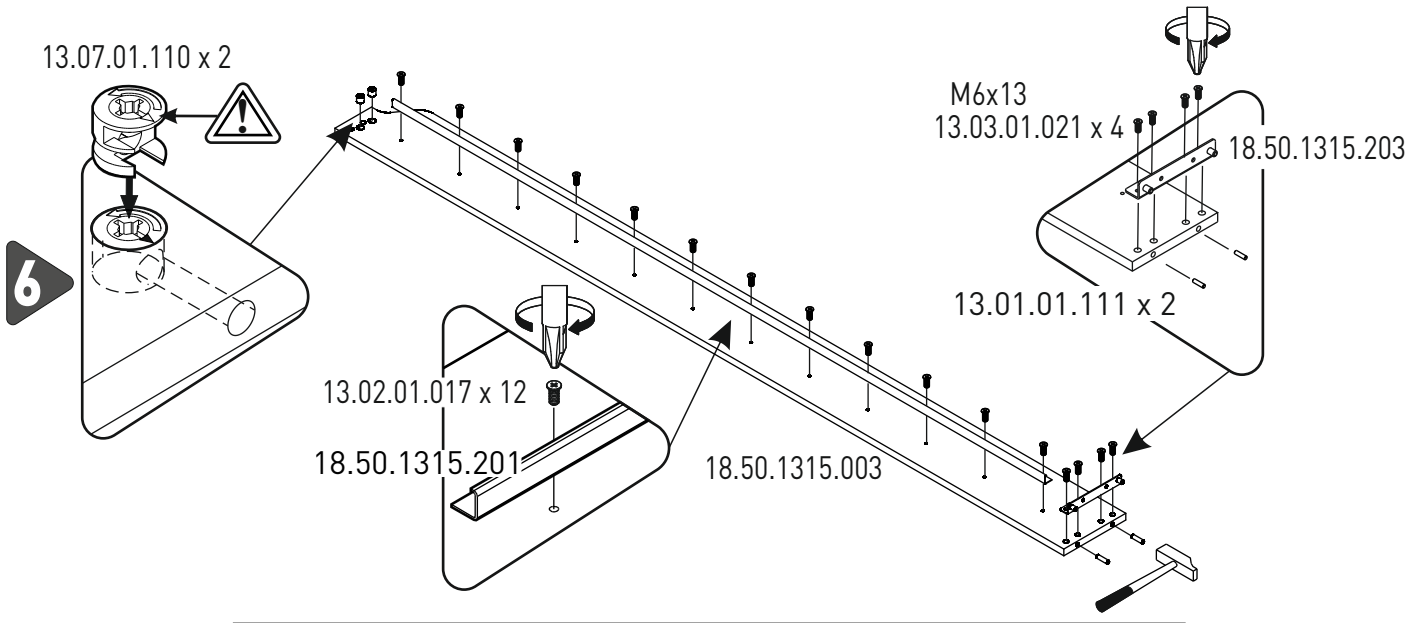


4

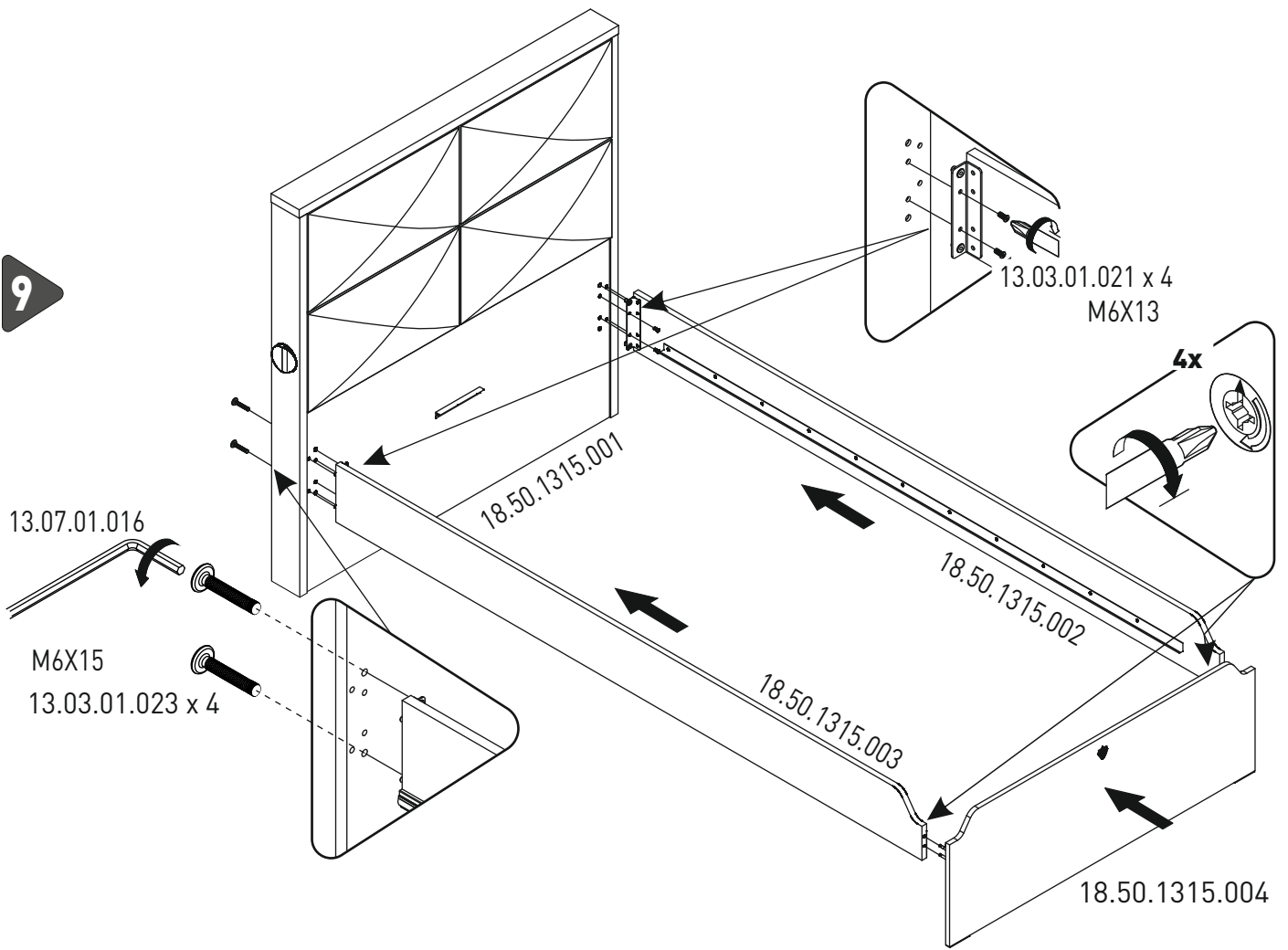


5

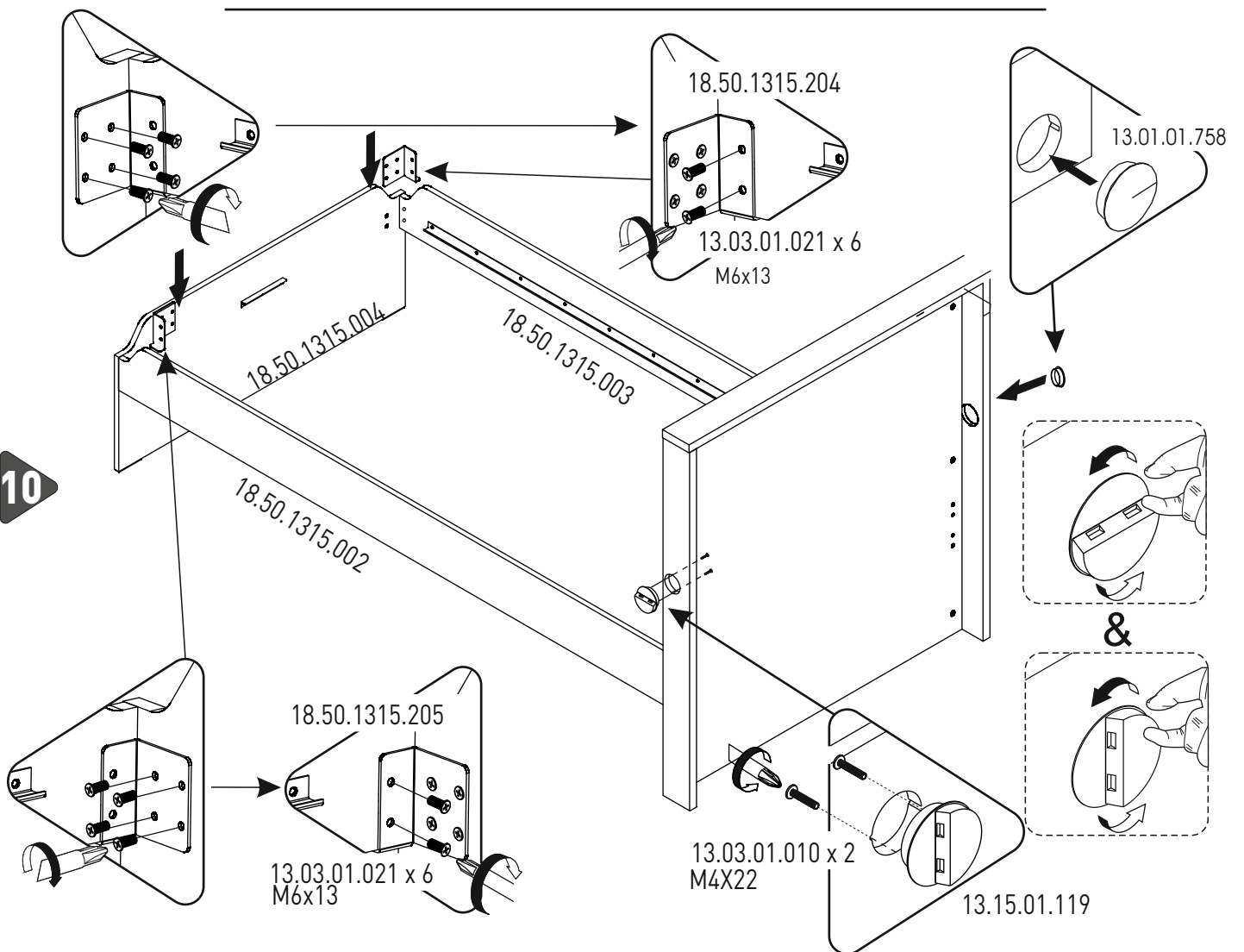




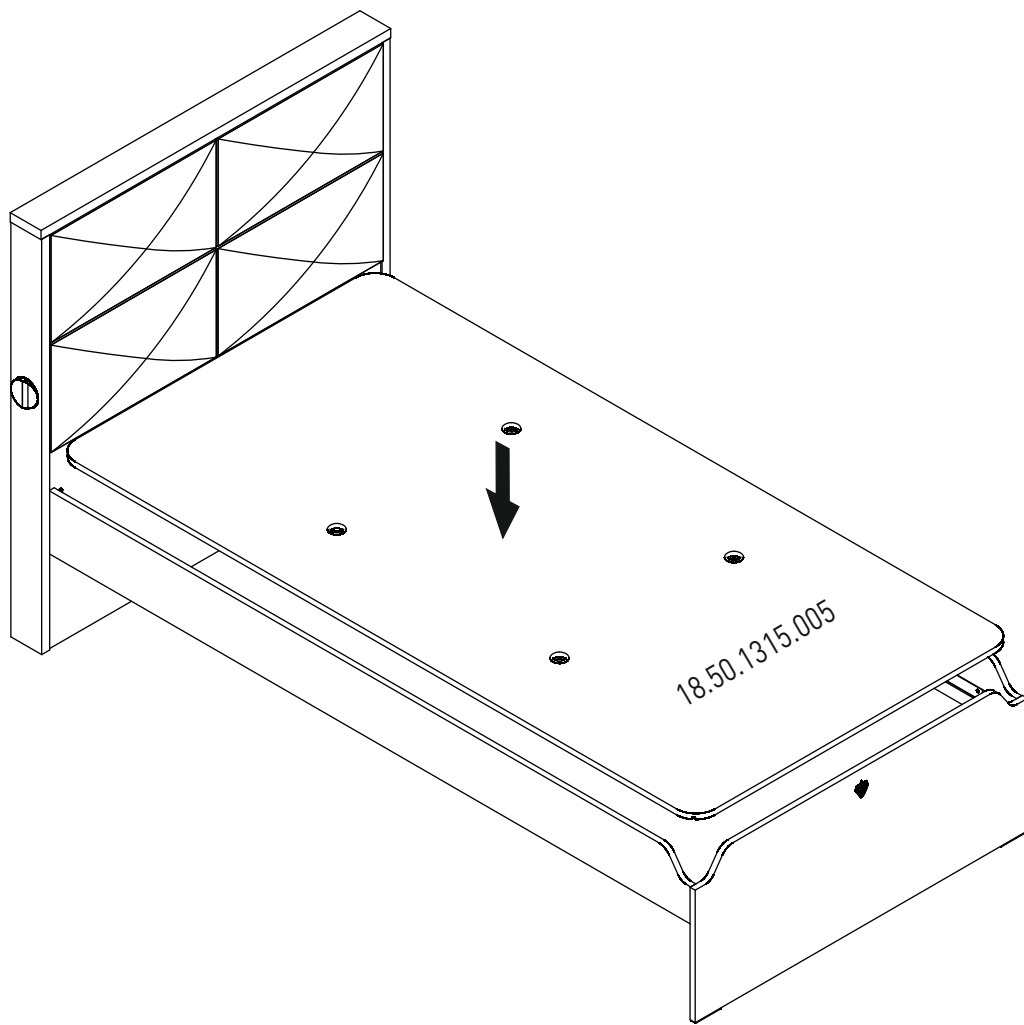
9



10



11



12

