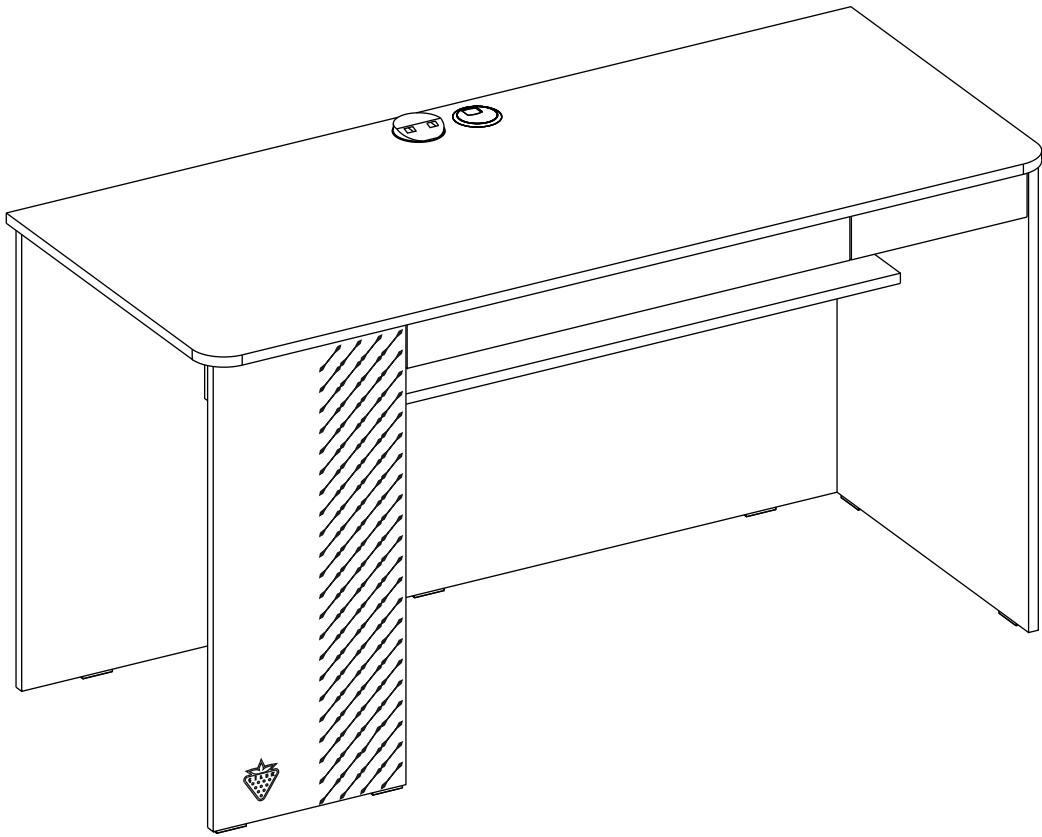
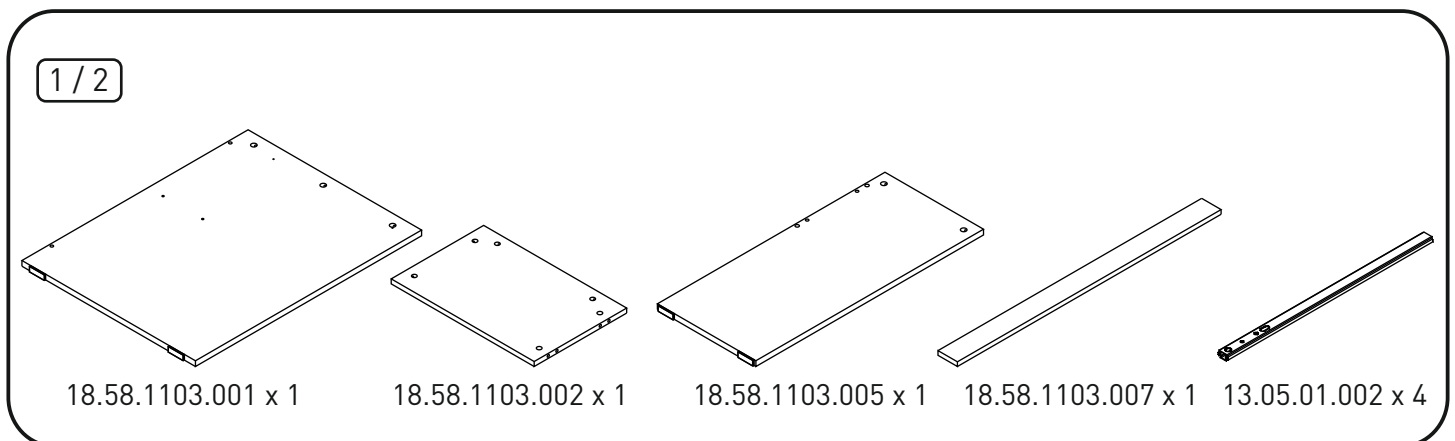
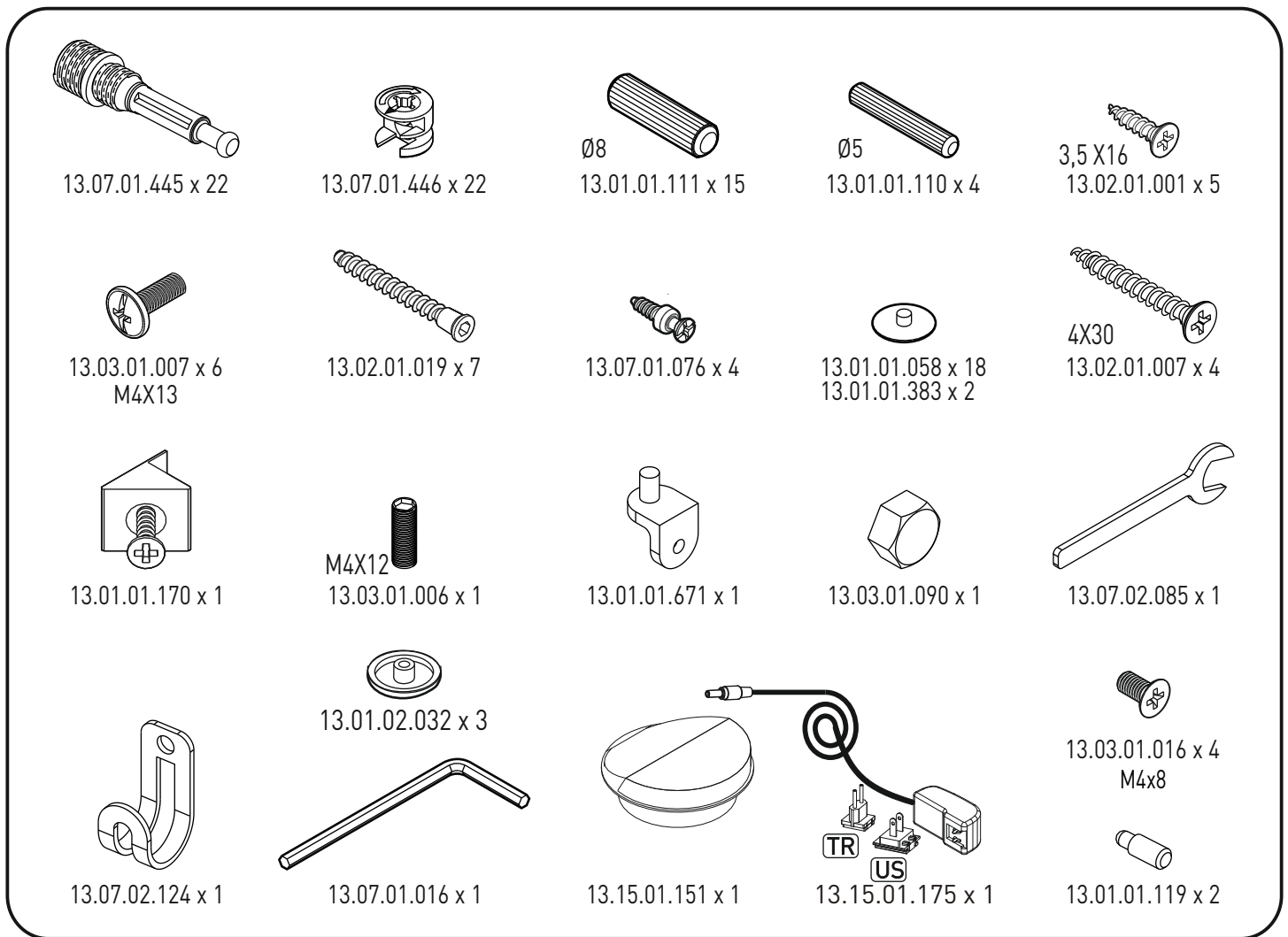
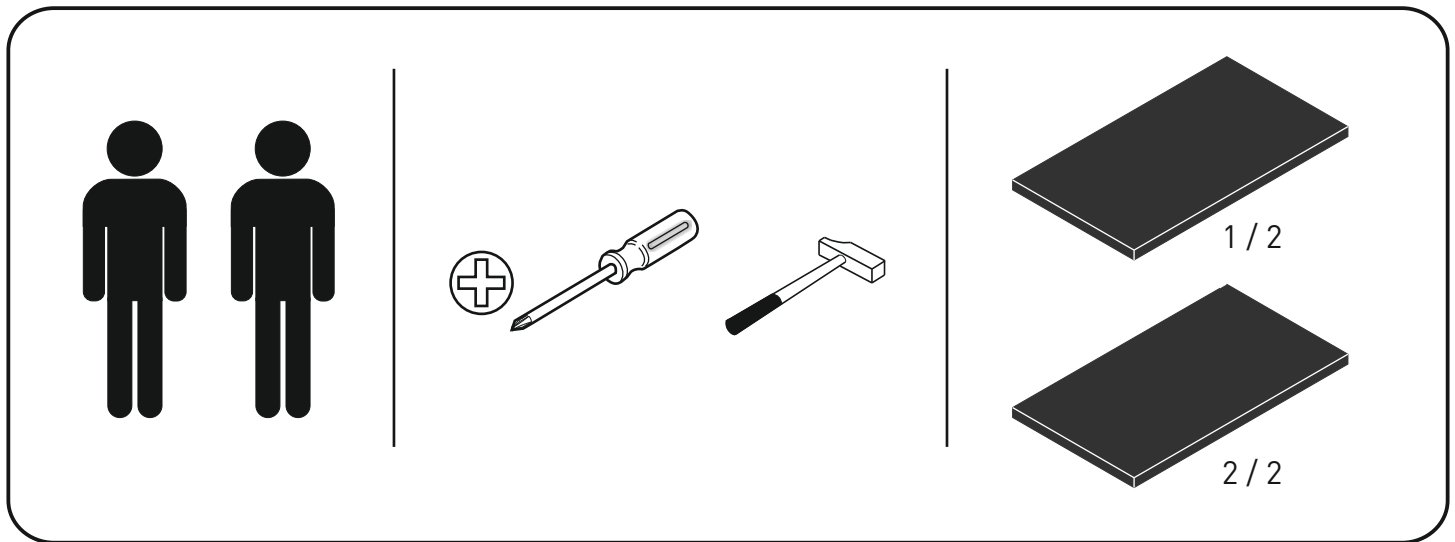
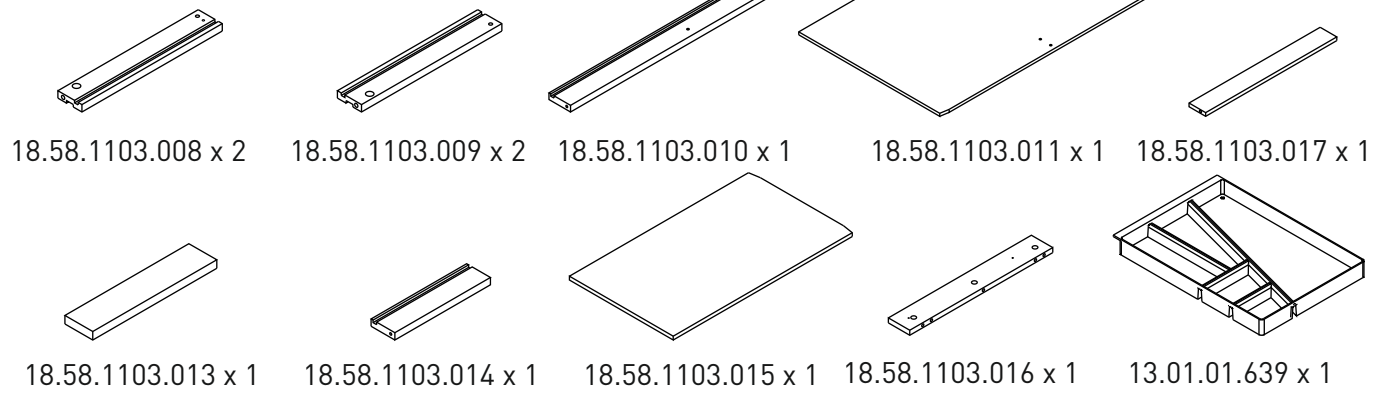


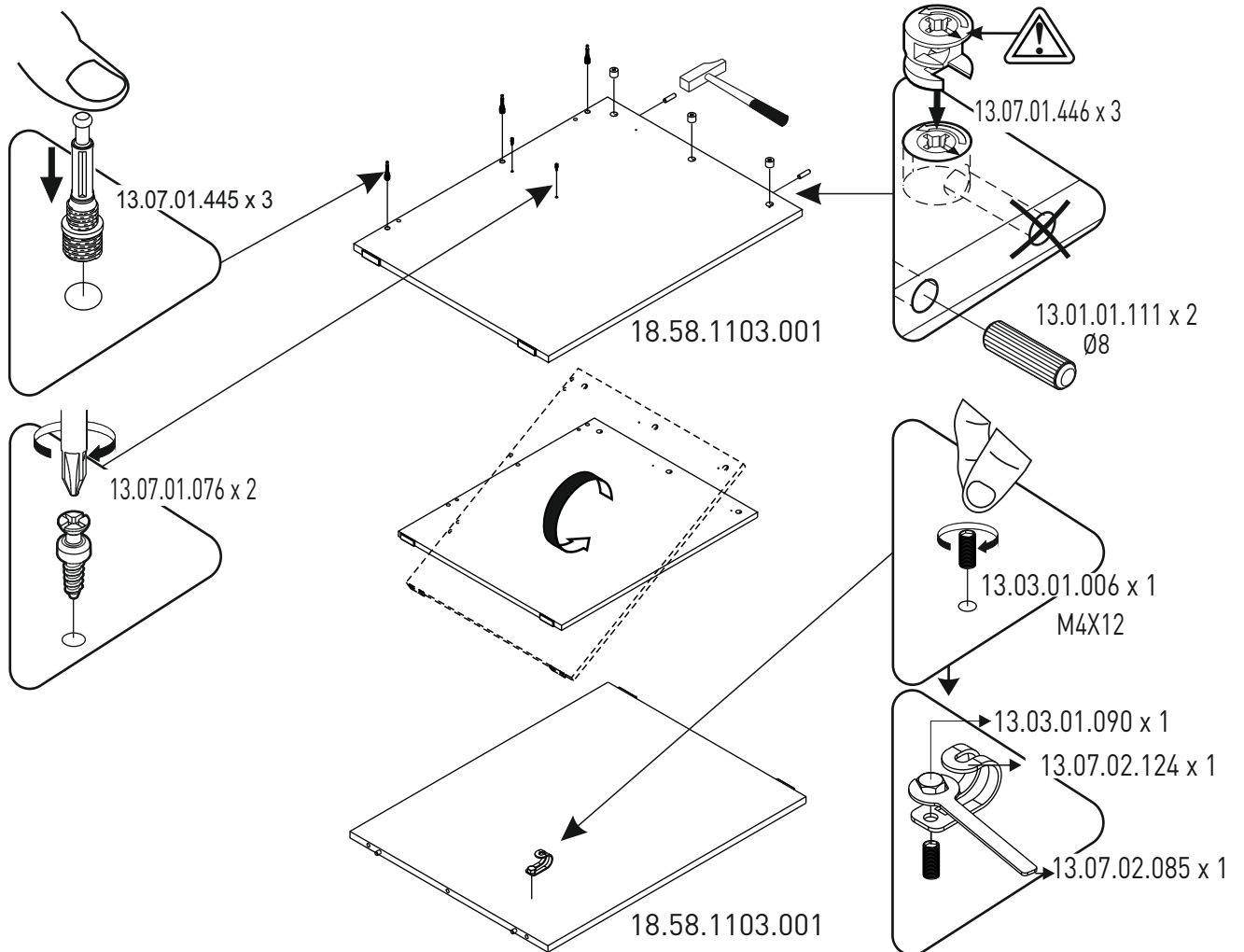
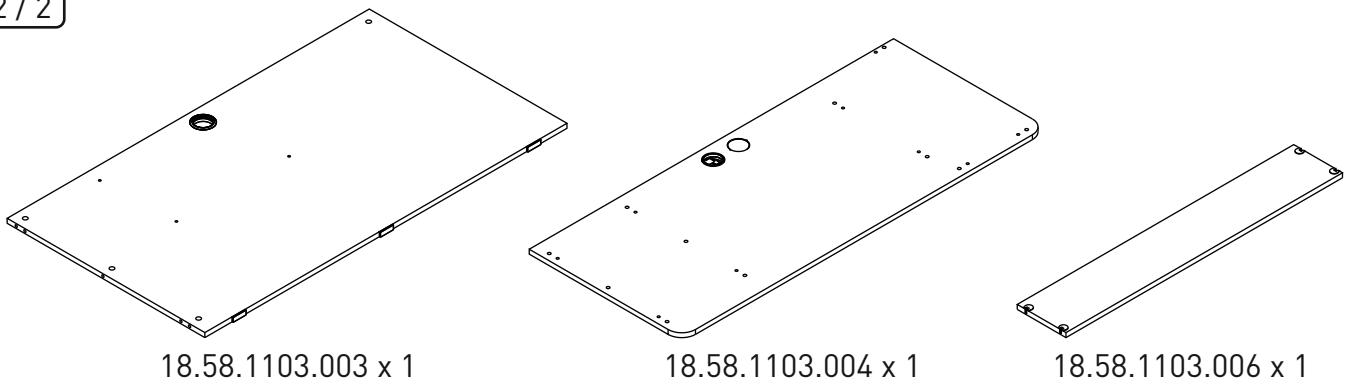
20.58.1103.00

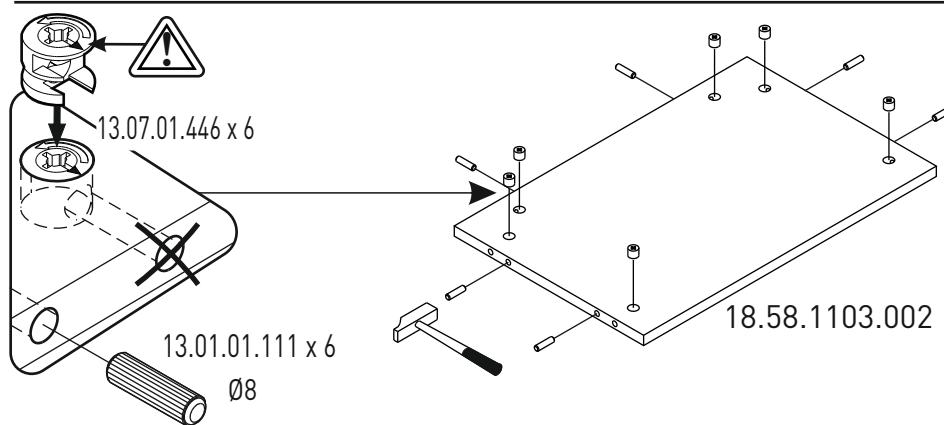
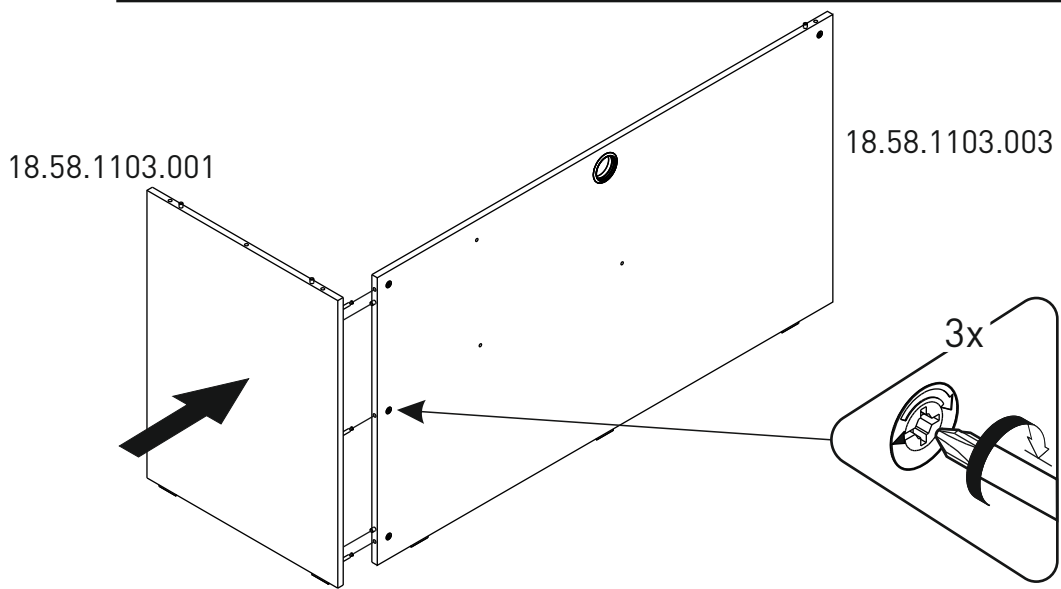
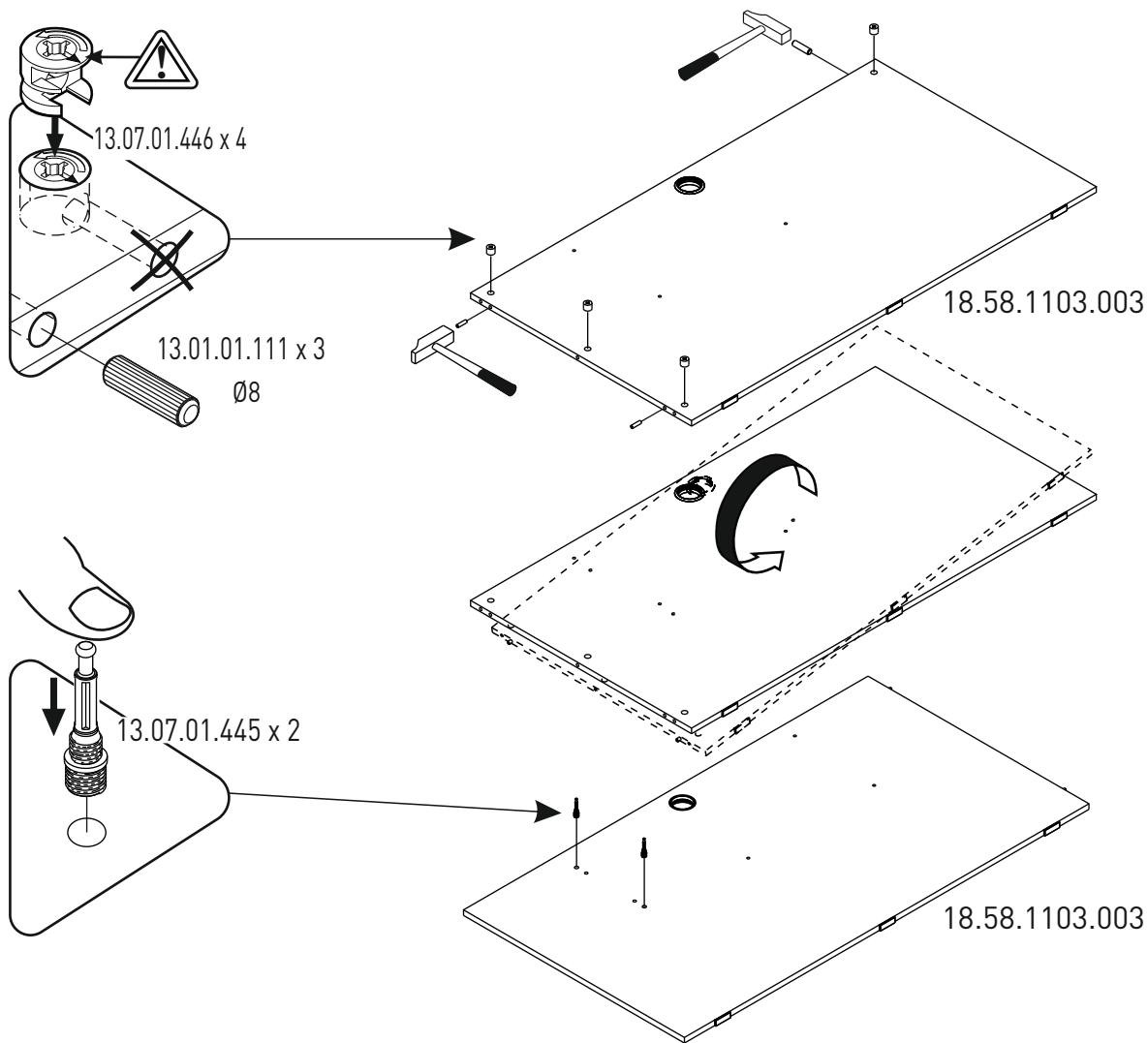


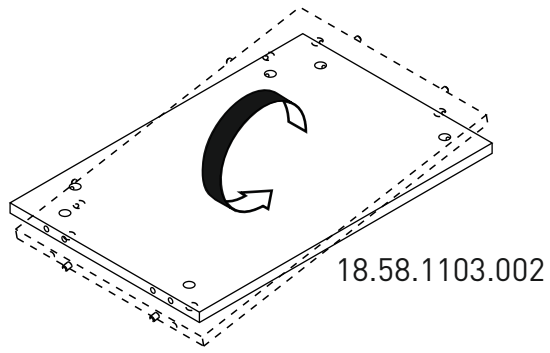




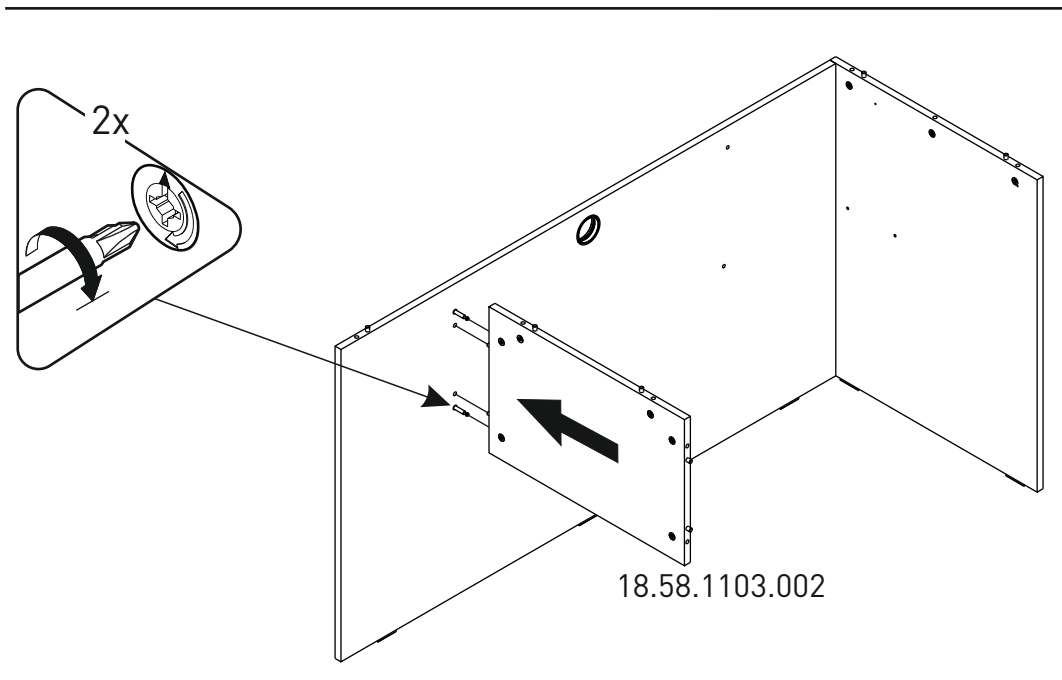
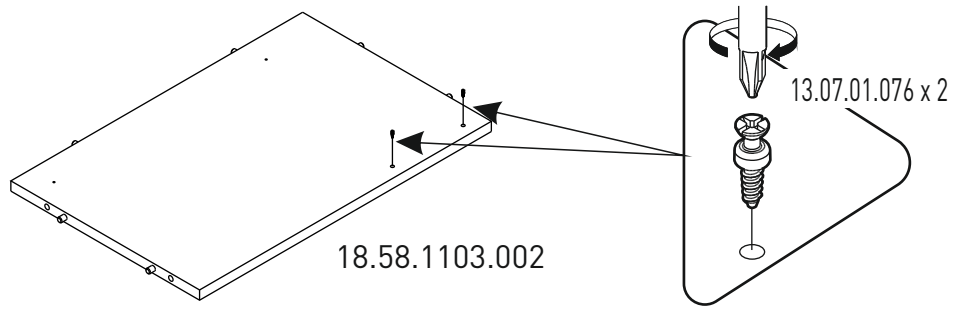
2/2



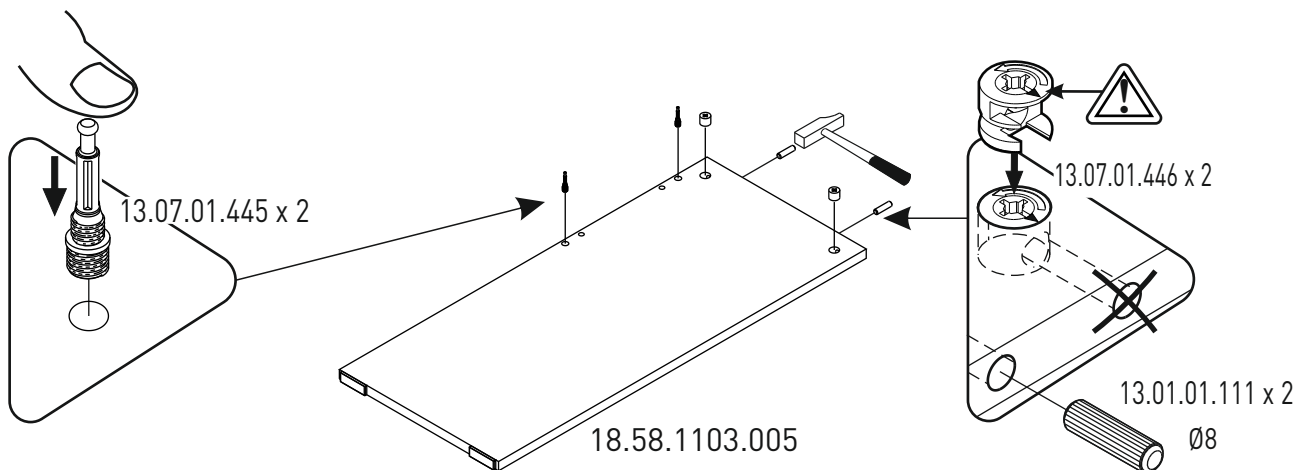




5

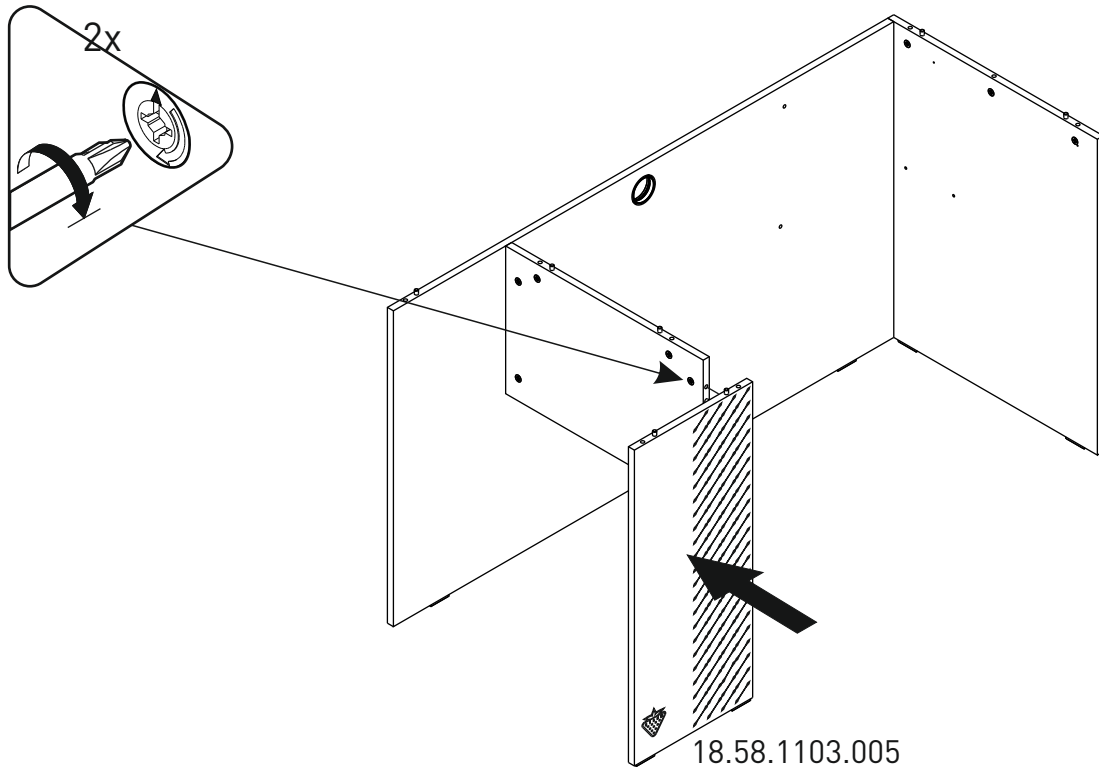


6

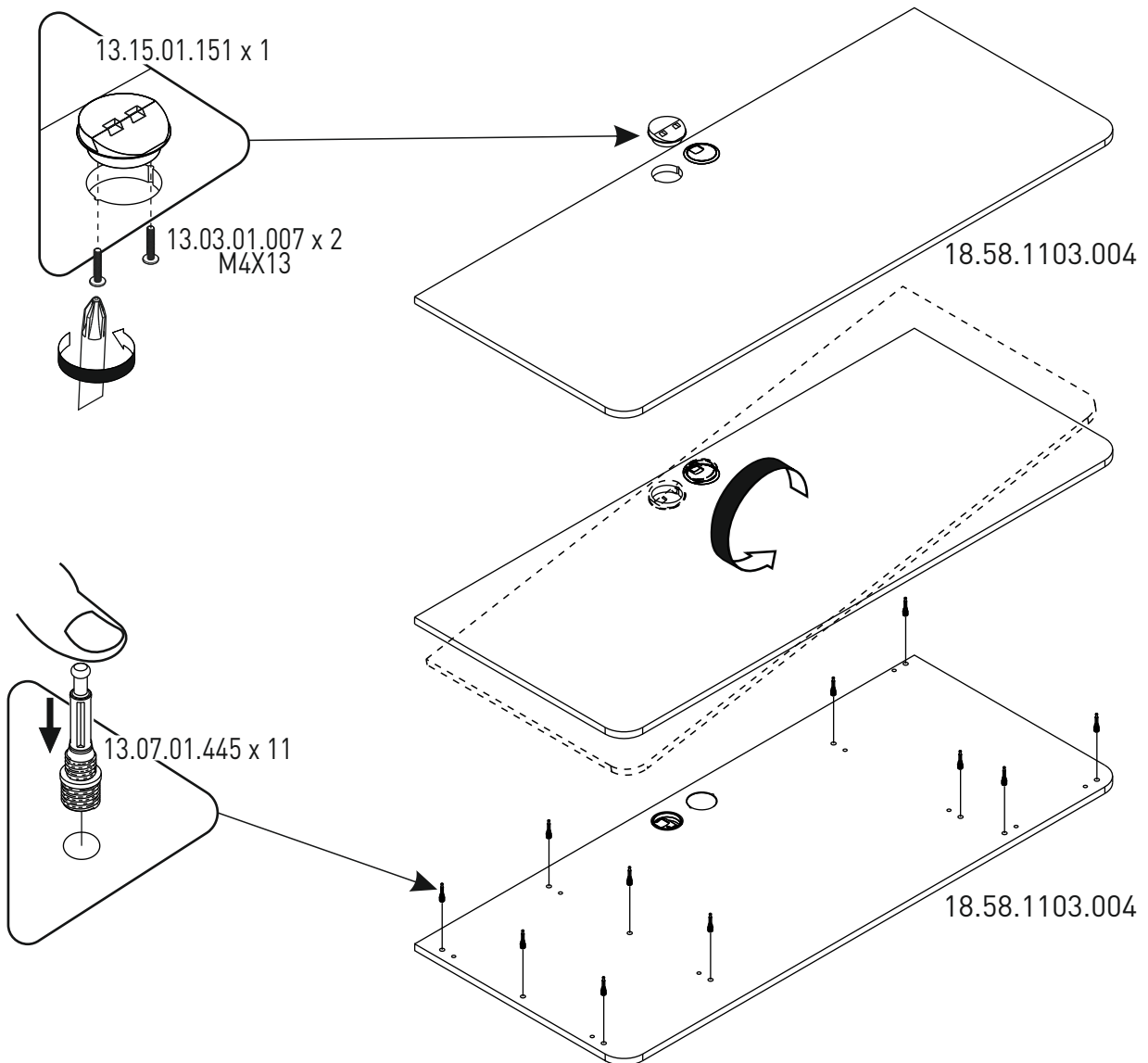


7

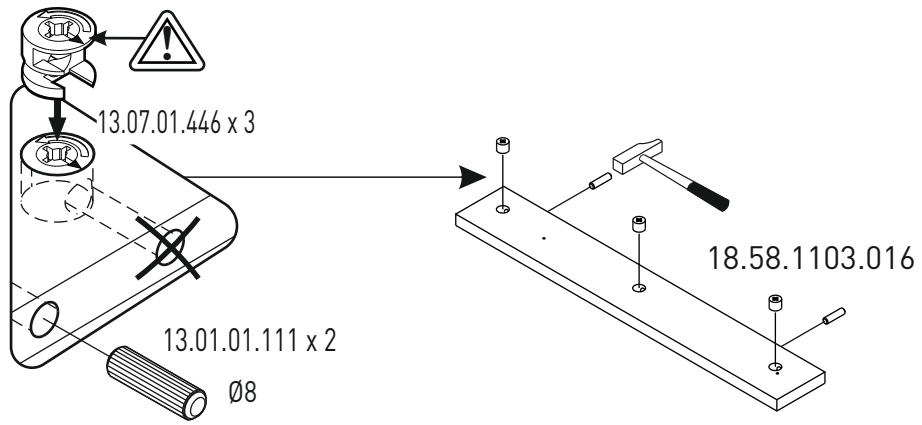
8



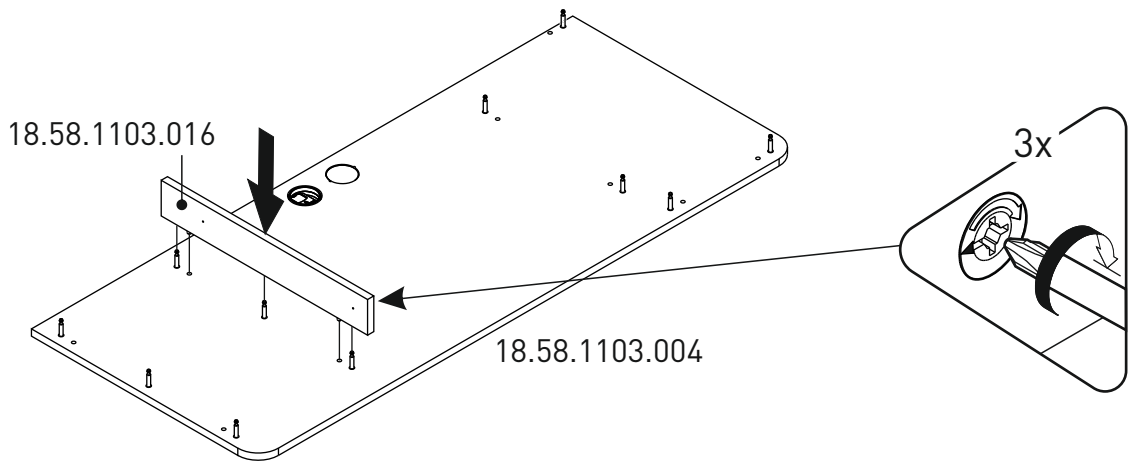
9



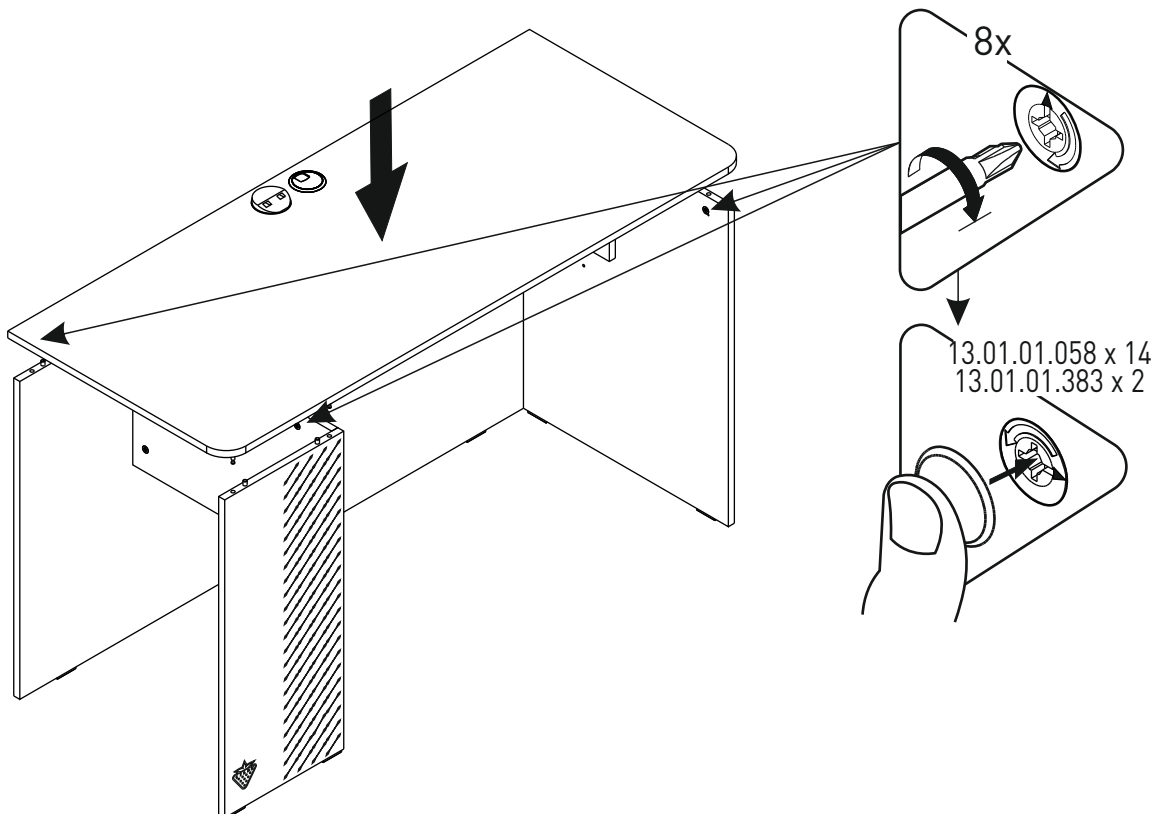
10



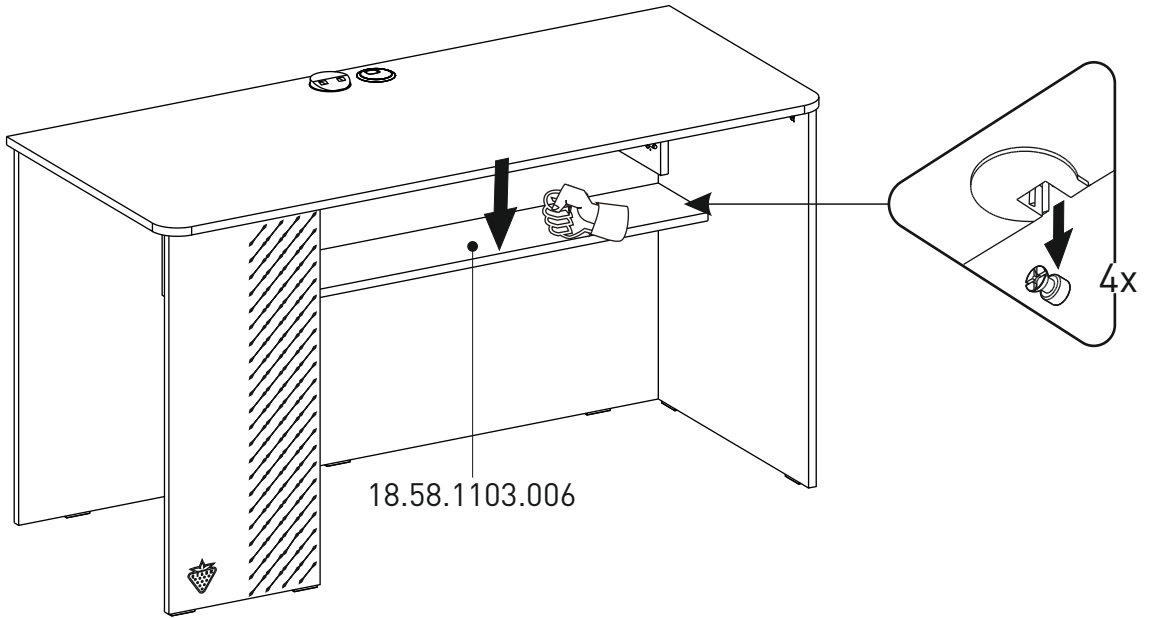
11



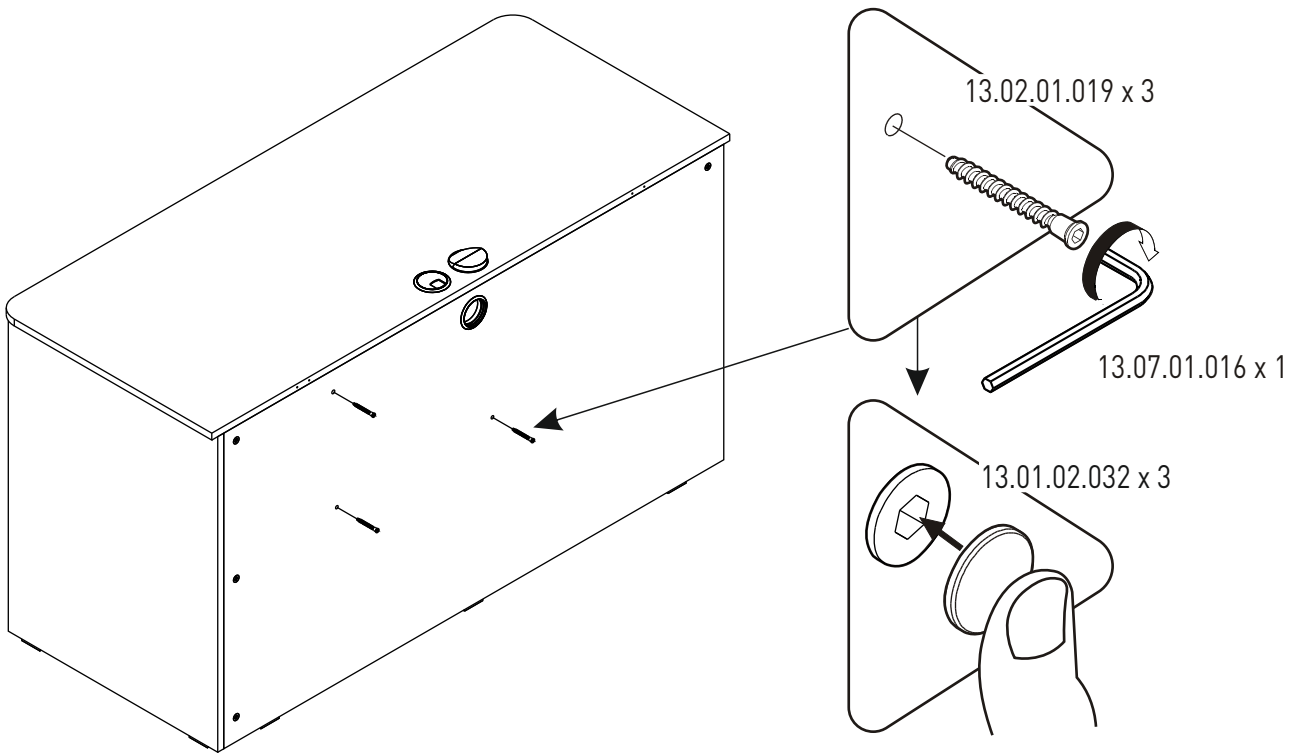
12



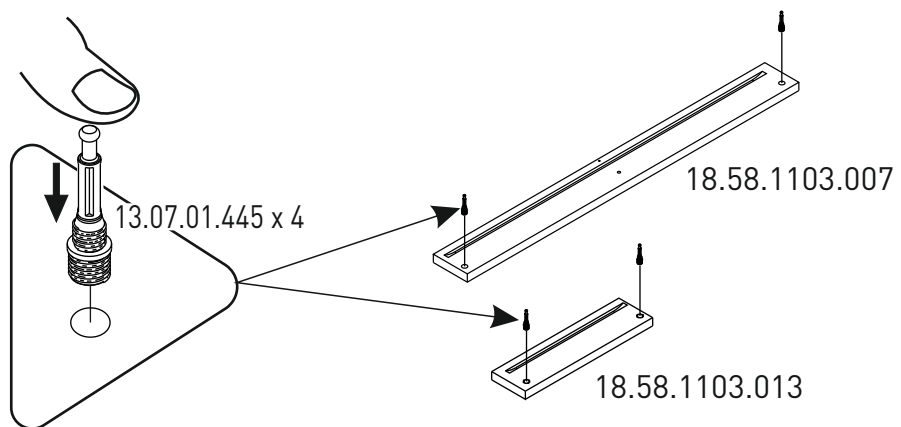
13



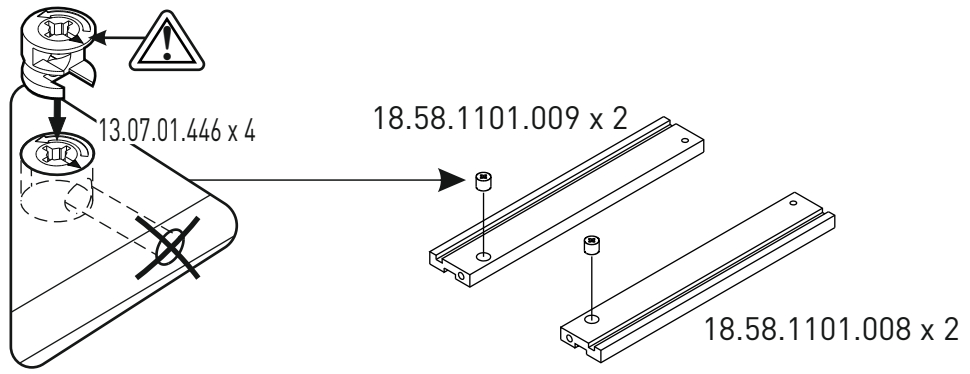
14



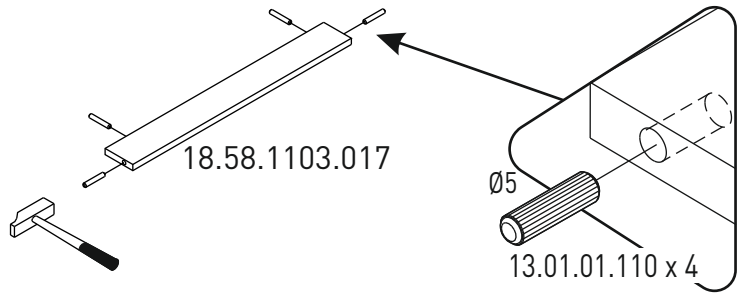
15



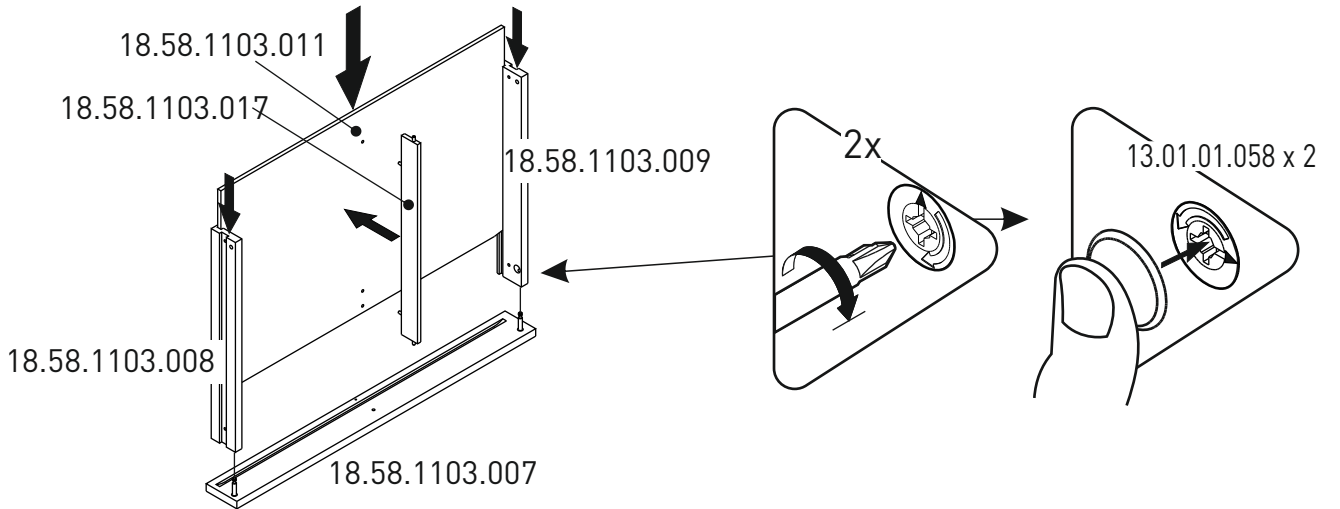
16



17



18



19

