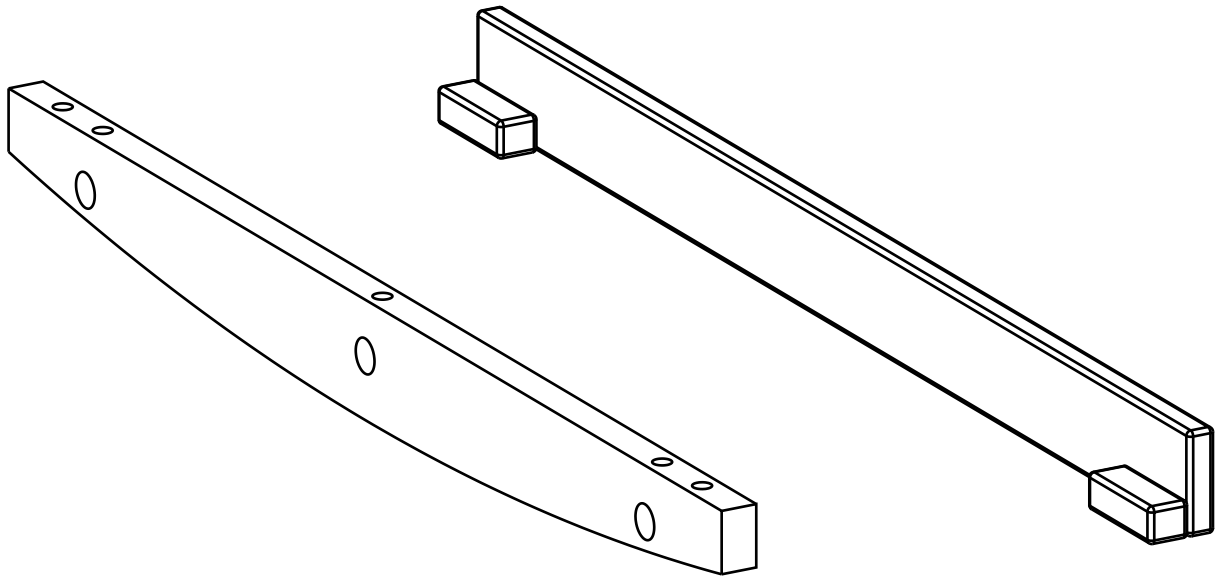
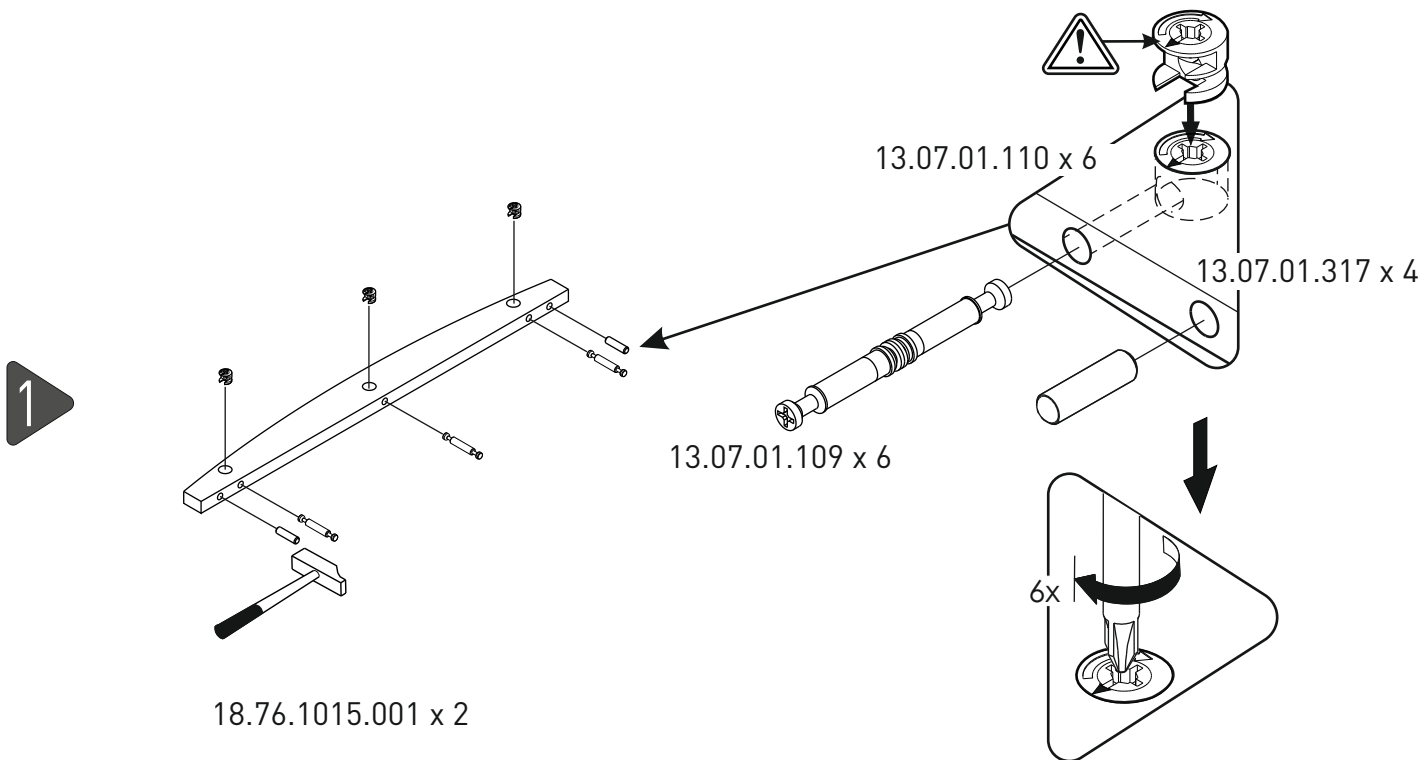
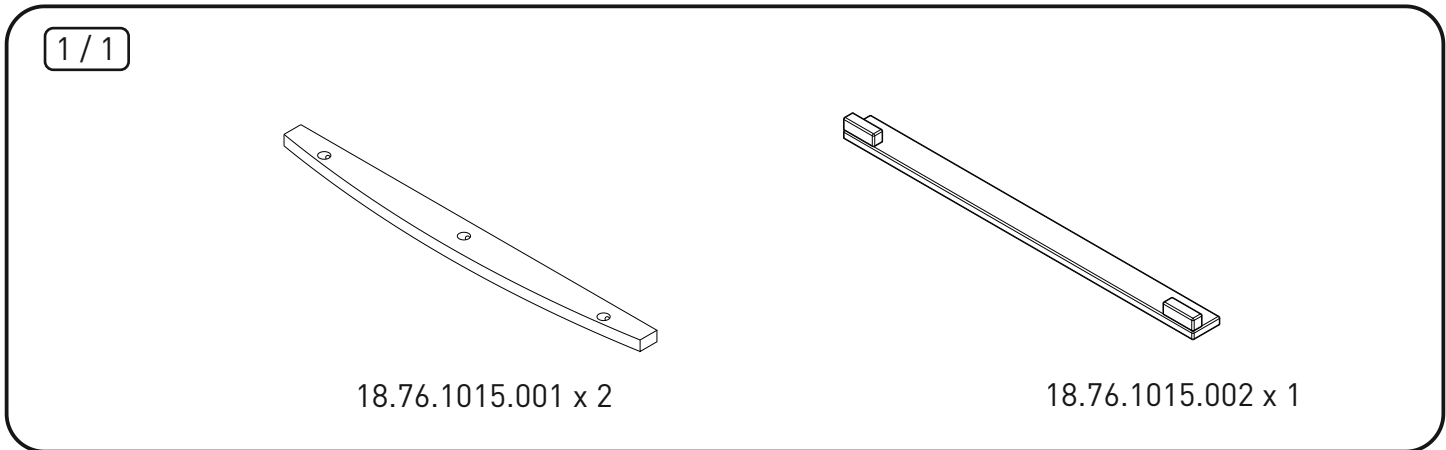
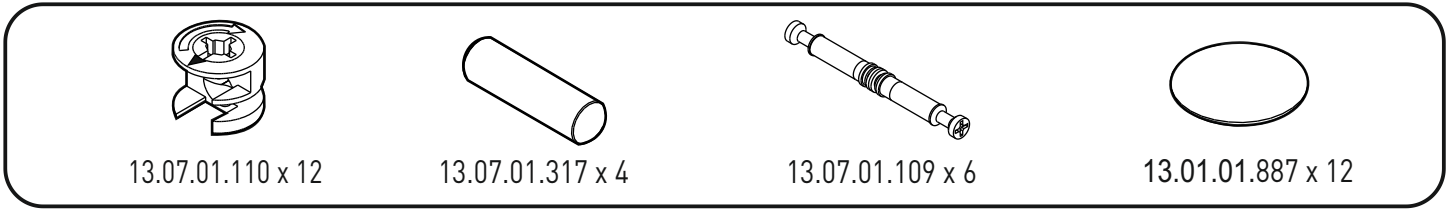
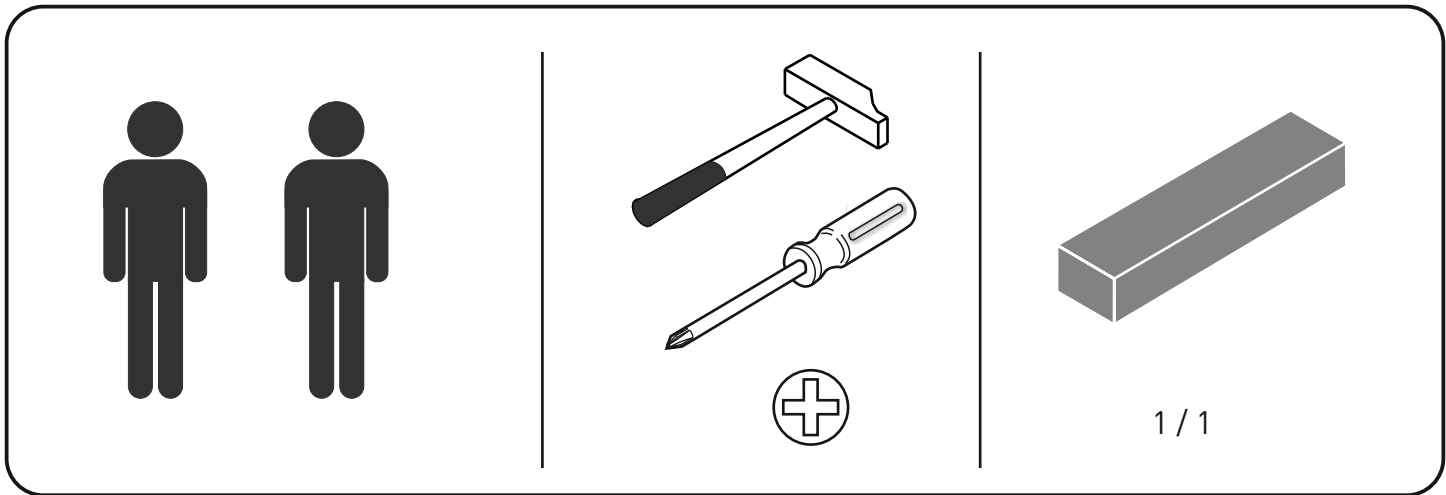
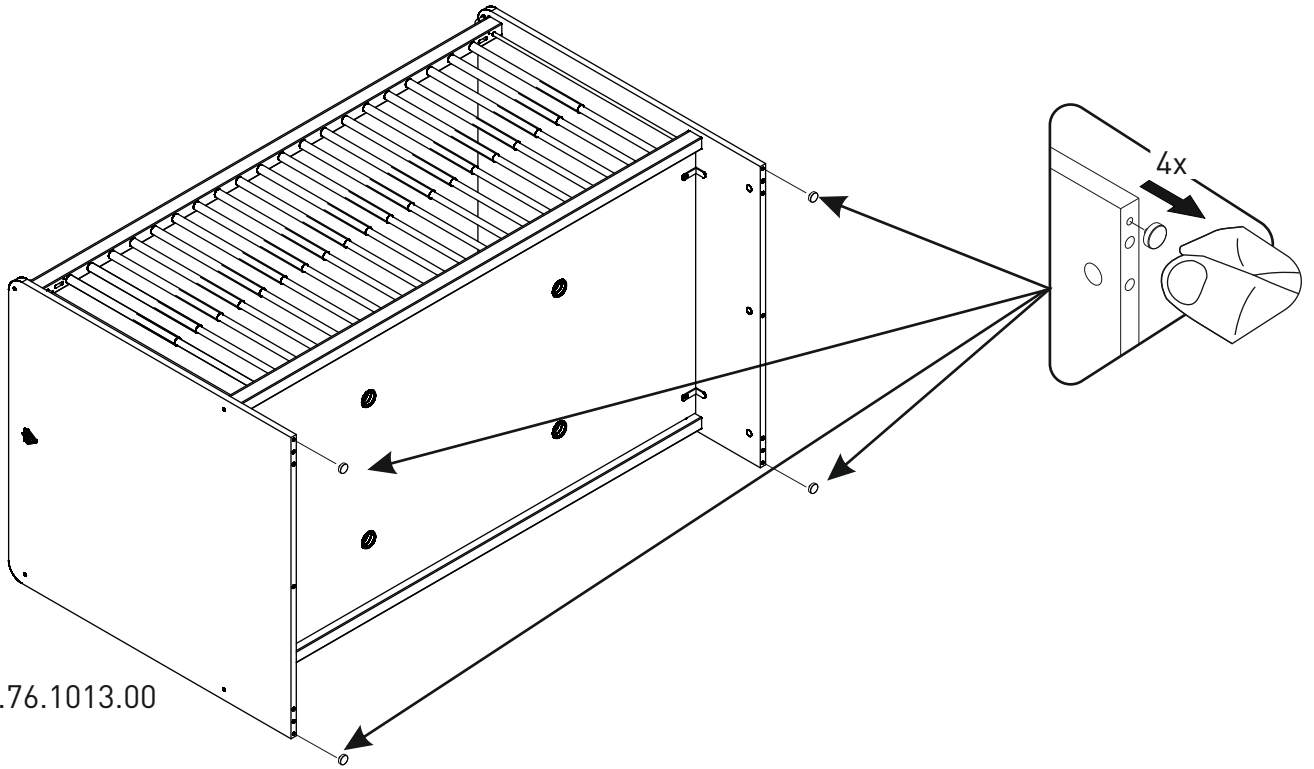


20.76.1015.00

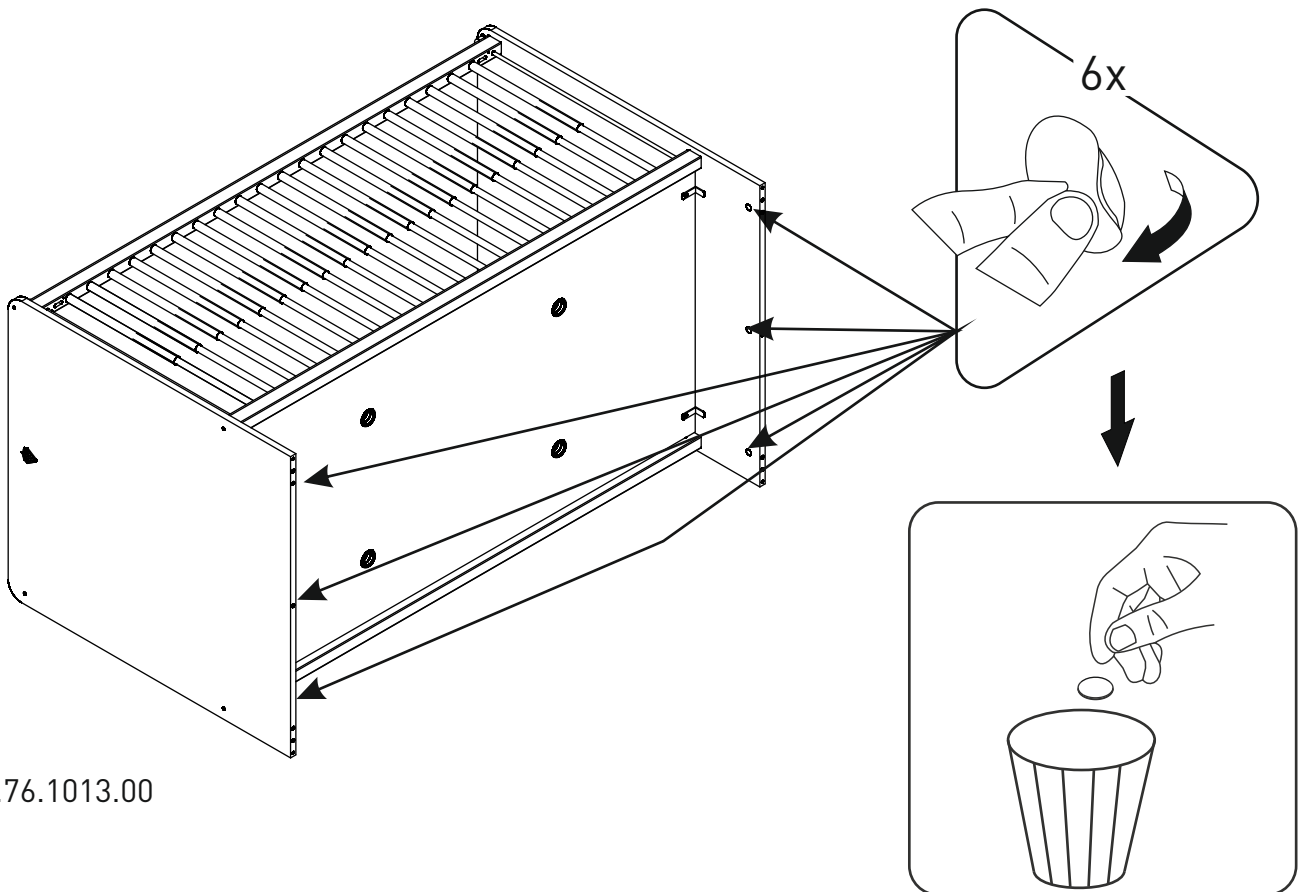




2

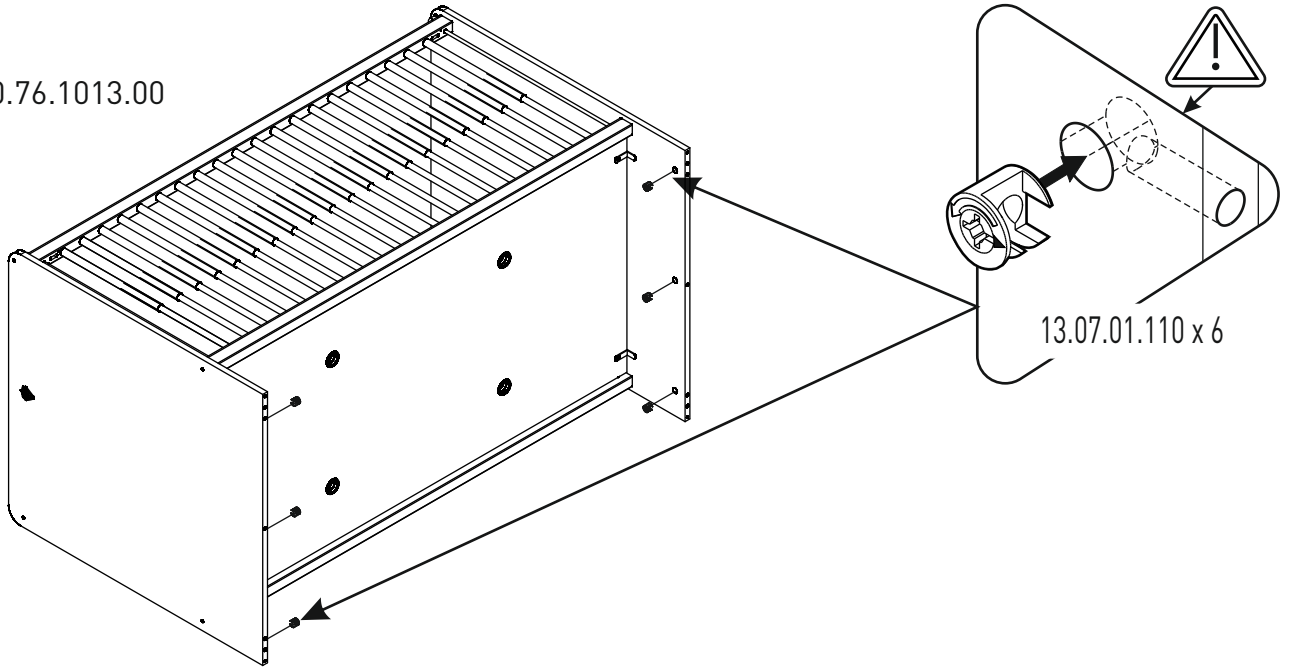


3



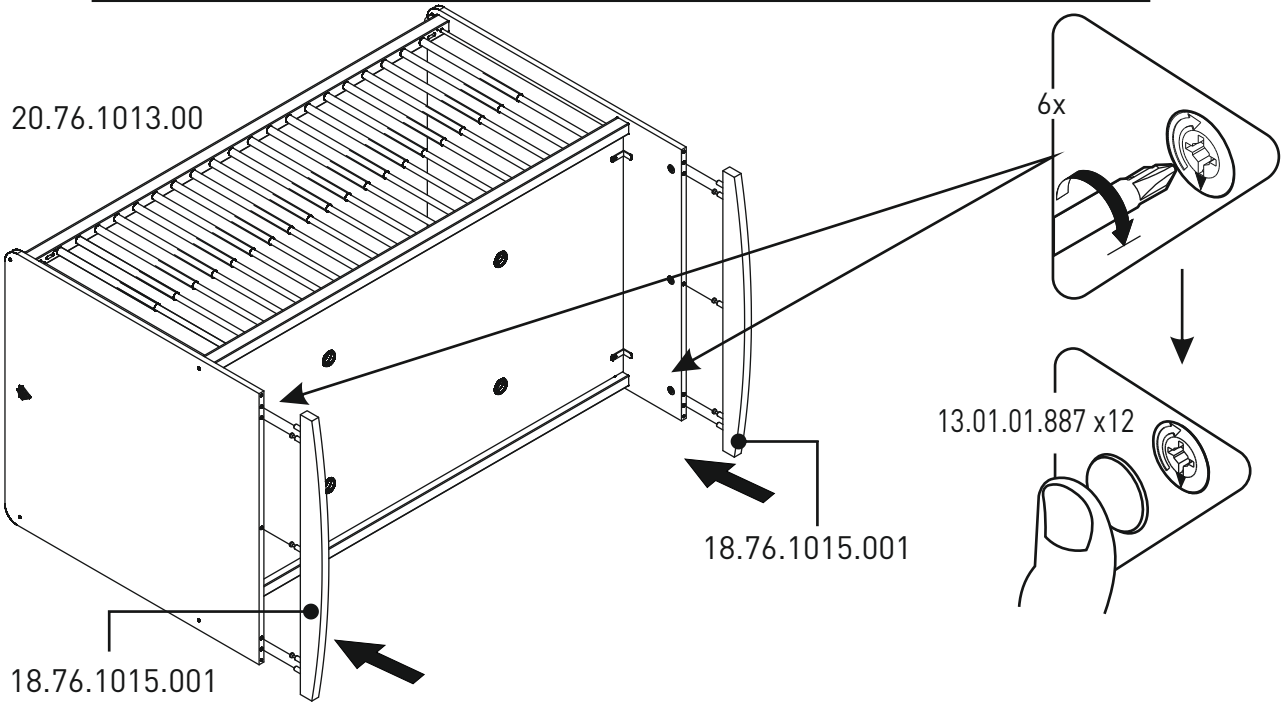
20.76.1013.00

4



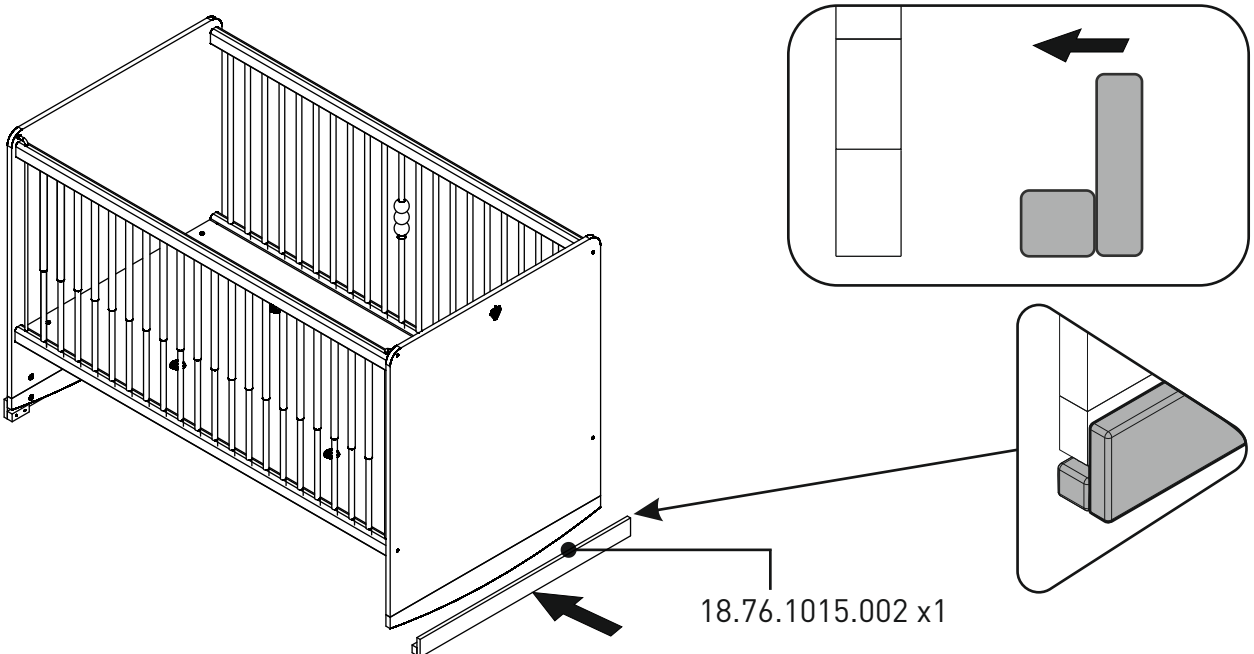
20.76.1013.00

5



18.76.1015.001

6



18.76.1015.002 x 1