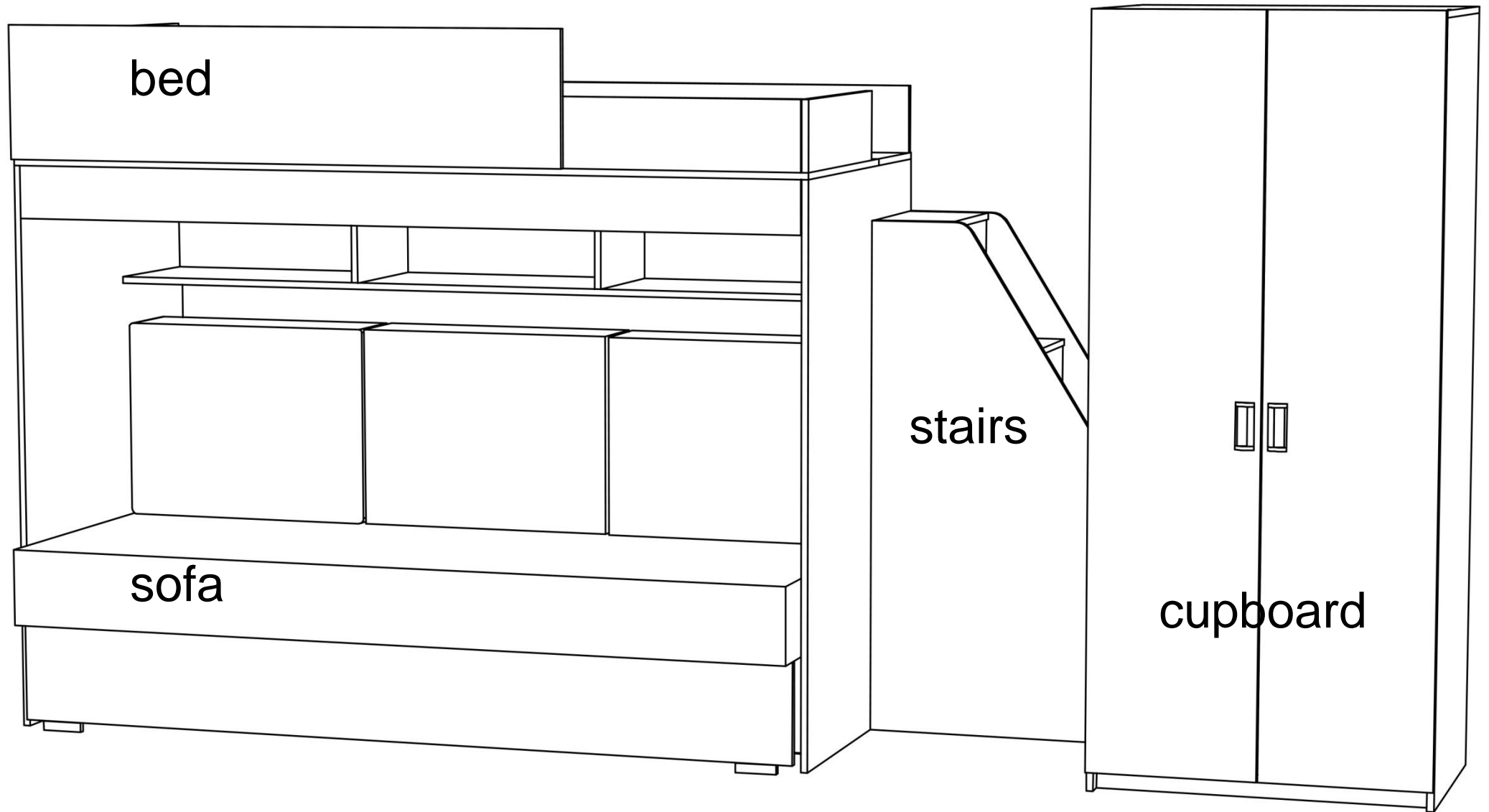
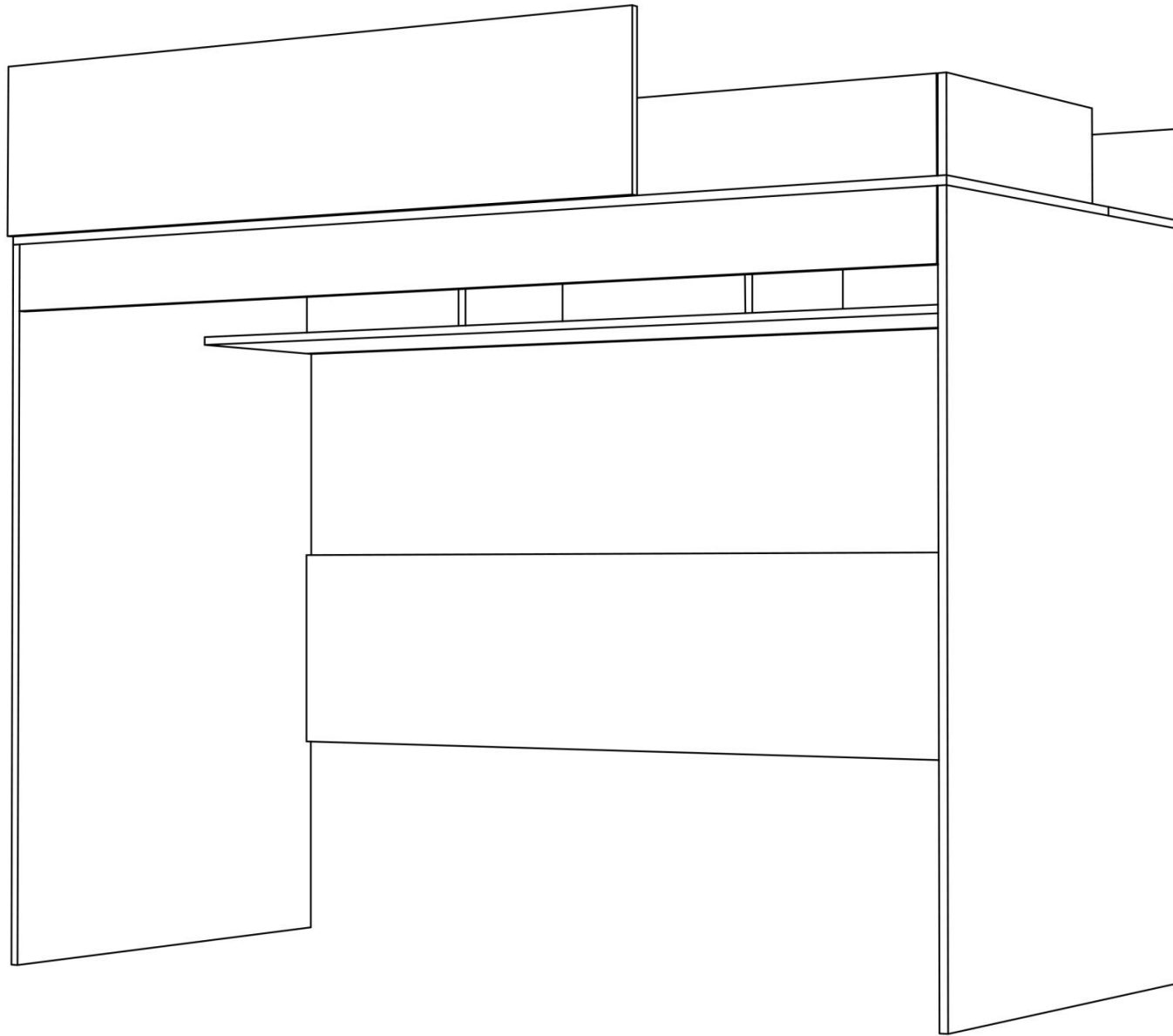


Hochbett mit Schlafsofa

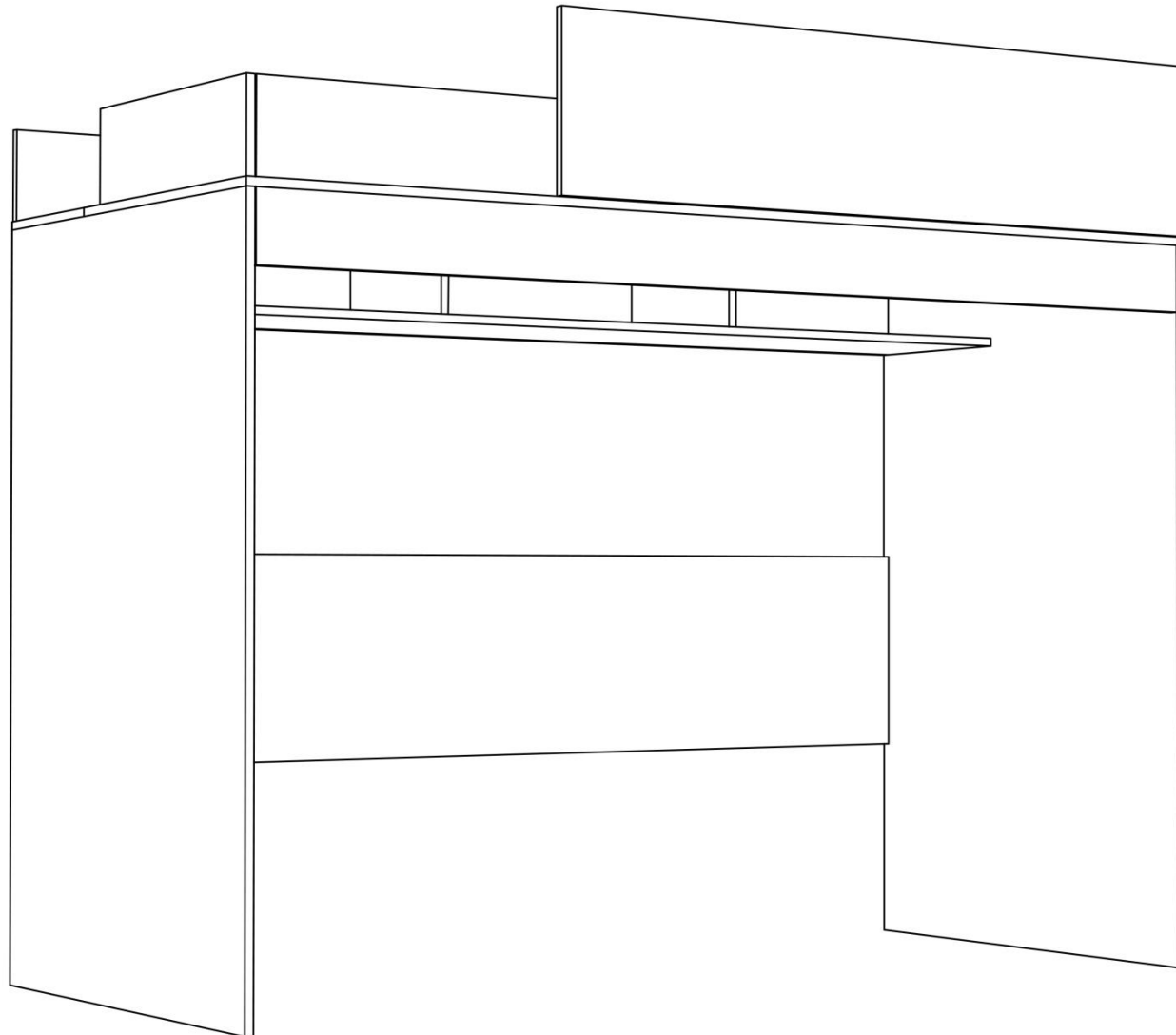


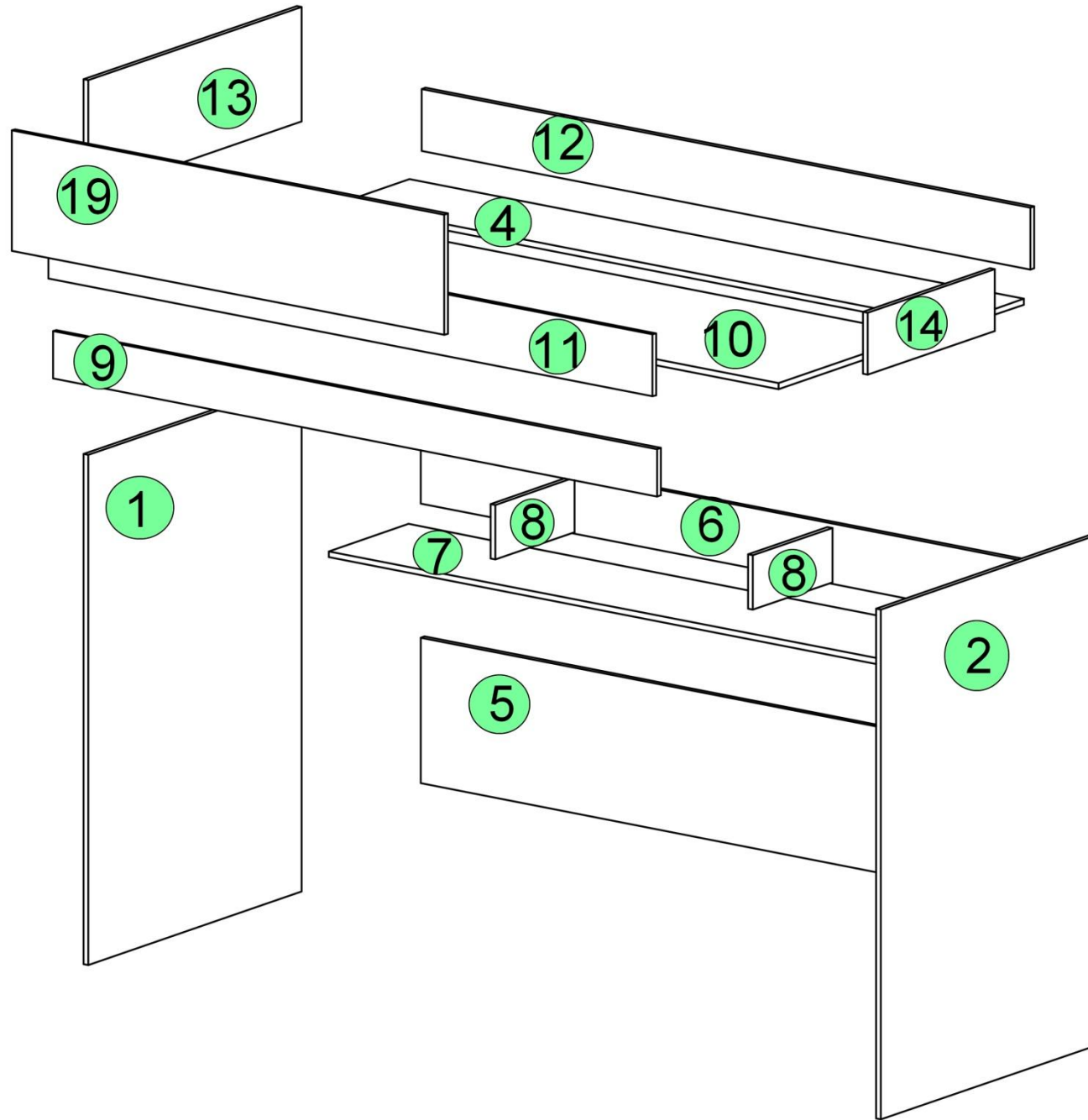
Bed



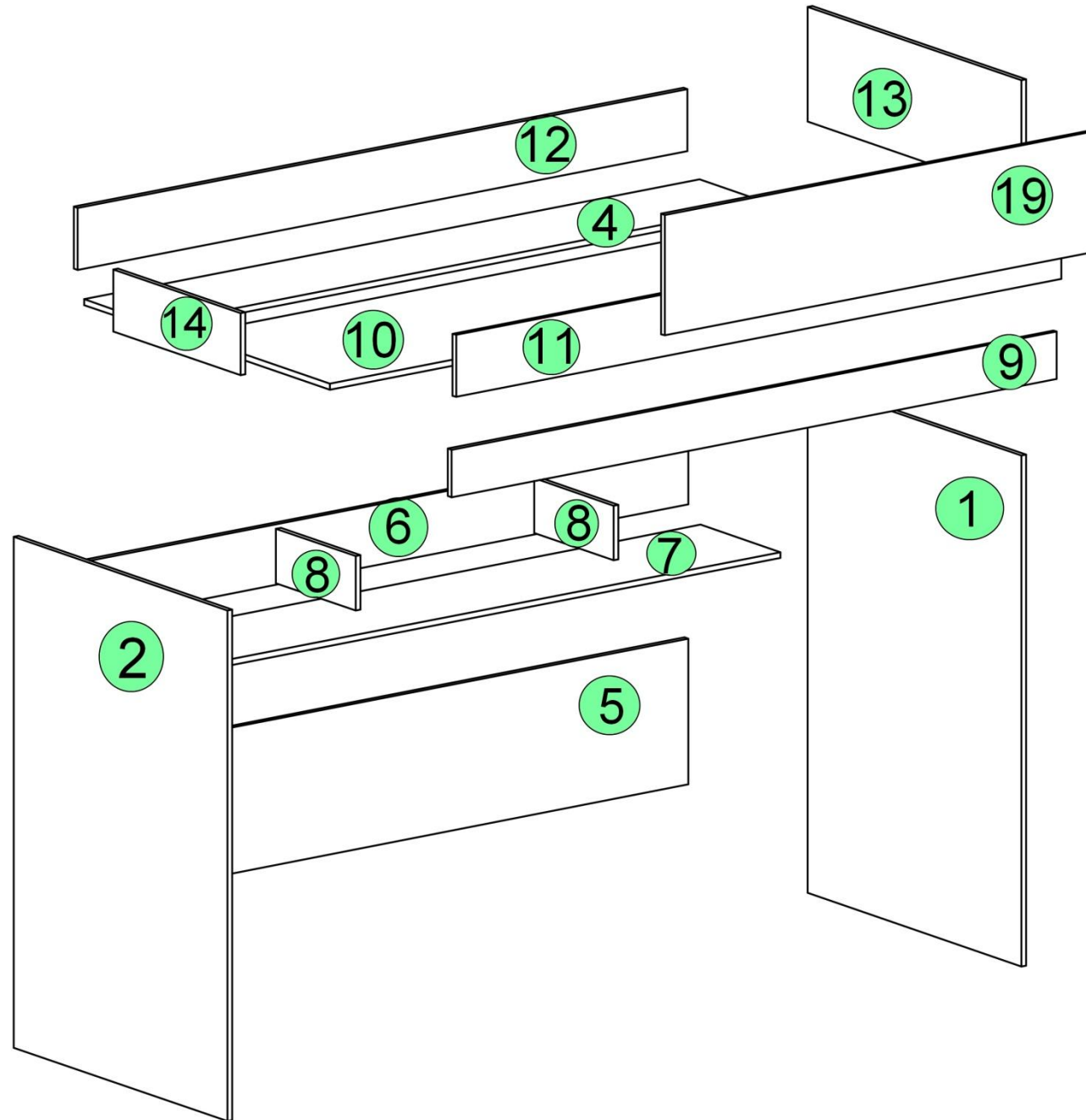
Bed

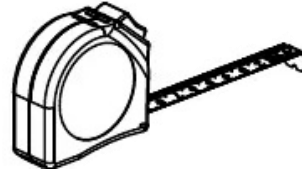
Der linken Montage



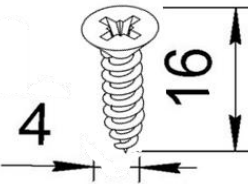
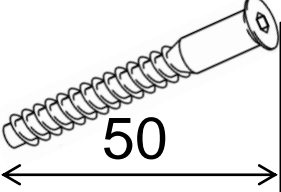

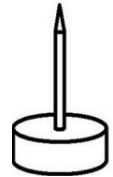
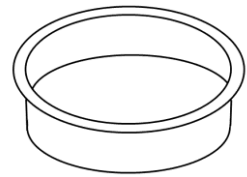
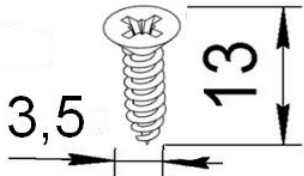



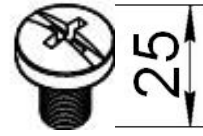
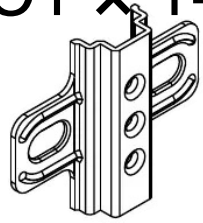
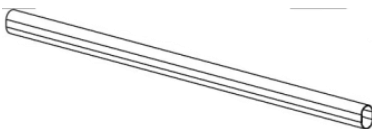

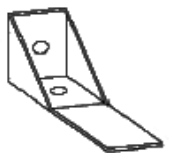

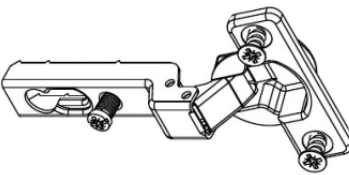
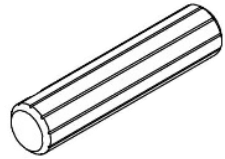

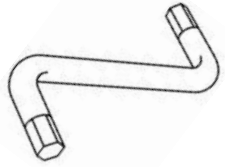


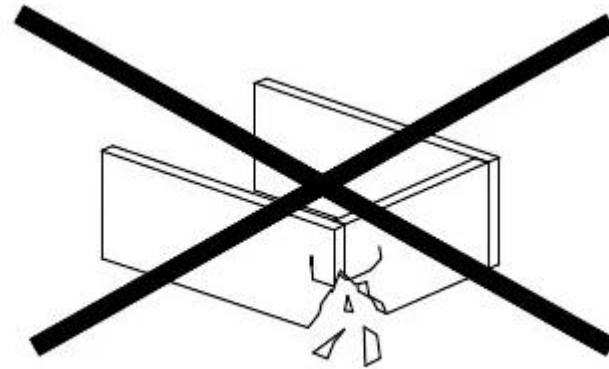
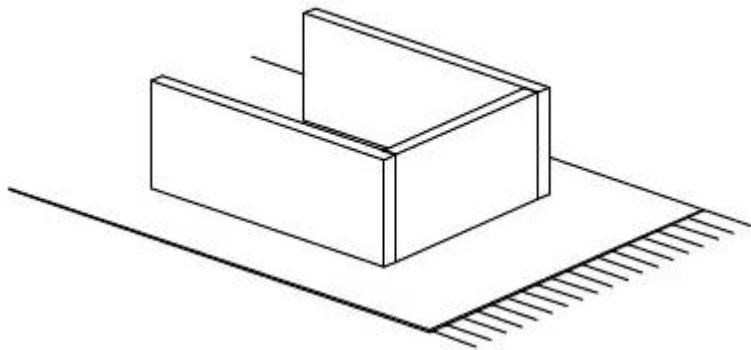
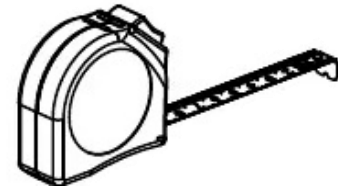
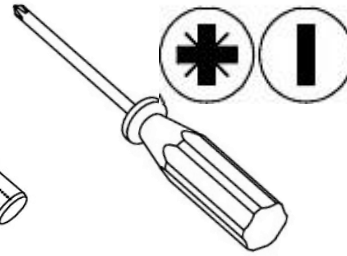
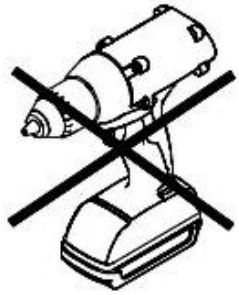
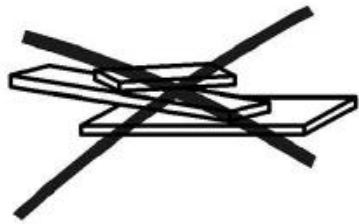
Der linken Montage

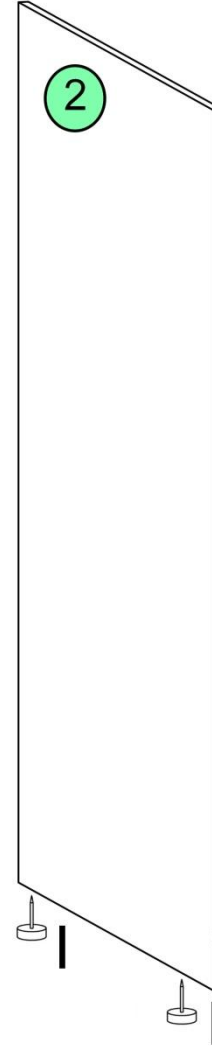
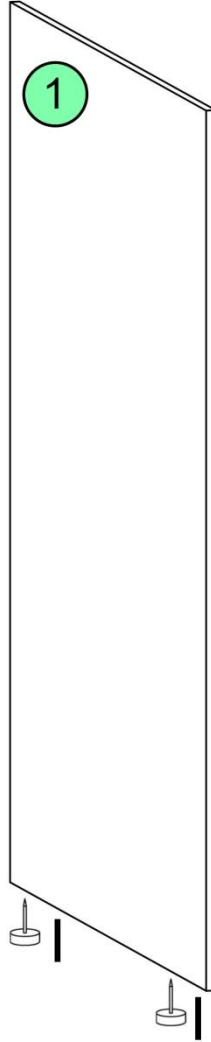
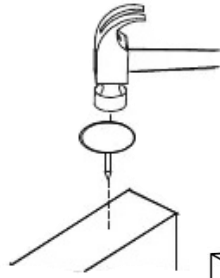
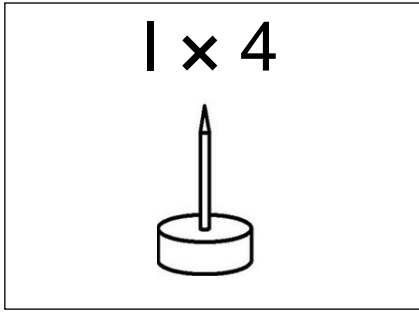




position	details		thickness	quantity	position	details		thickness	quantity
	length	width				length	width		
1	1400	940	16	1	17	1754	398	16	2
2	1400	940	16	1	18	1268	800	16	2
3	348	120	16	1	19	1436	330	16	1
4	2040	313	16	1	20	802	561	16	1
5	2006	400	16	1	21	768	560	16	1
6	2006	336	16	1	22	768	544	16	2
7	2006	350	16	1	23	1723	768	16	1
8	350	150	16	2	24	1784	560	16	1
9	2006	130	16	1	25	1784	560	16	1
10	2040	627	16	1	26	342	204	18	4
11	2006	170	16	1	27	348	301	16	1
12	2022	170	16	1	28	348	333	16	3
13	940	314	16	1	29	348	166	16	4
14	560	170	16	1	30	760	30	16	1
15	348	301	16	1	31	768	44	16	1
16	348	3331	16	3					

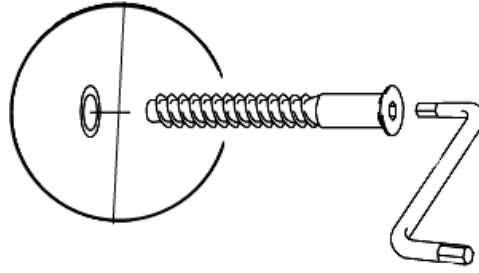
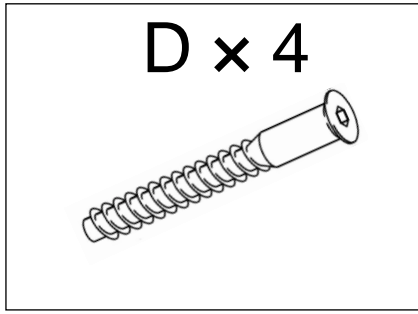
<p>A x 32</p> 	<p>D x 101</p> 	<p>G x 2</p> 	<p>I x 19</p> 	<p>M x 2</p> 
<p>B x 4</p> 	<p>D1 x 101</p> 	<p>H1 x 38</p> 	<p>J x 2</p> 	<p>N x 8</p> 
<p>C1 x 14</p> 	<p>E x 1</p> 	<p>H2 x 38</p> 	<p>K x 2</p> 	<p>O x 5</p> 
<p>C2 x 14</p> 	<p>F x 2</p> 	<p>H3 x 38</p> 	<p>L x 1</p> 	



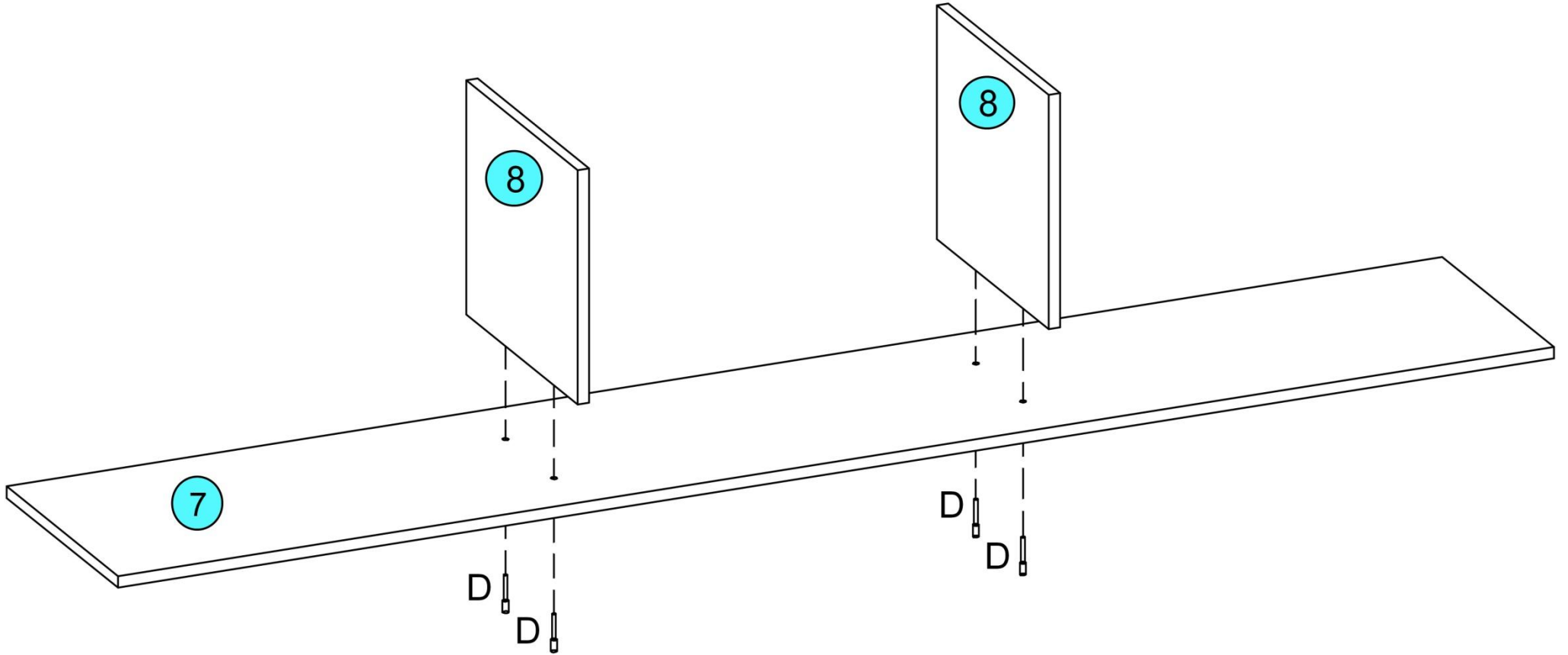


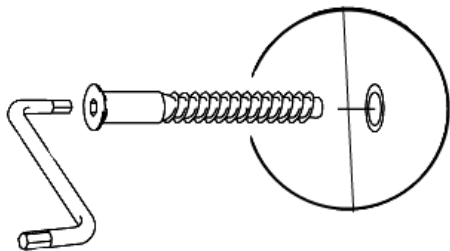
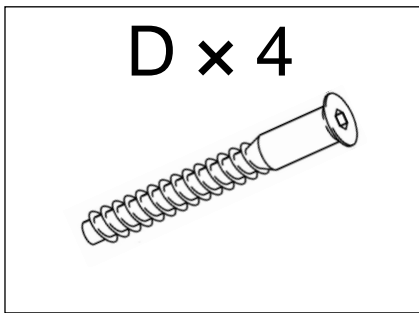
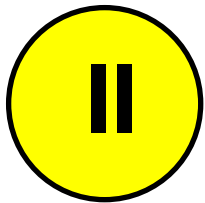
1

I

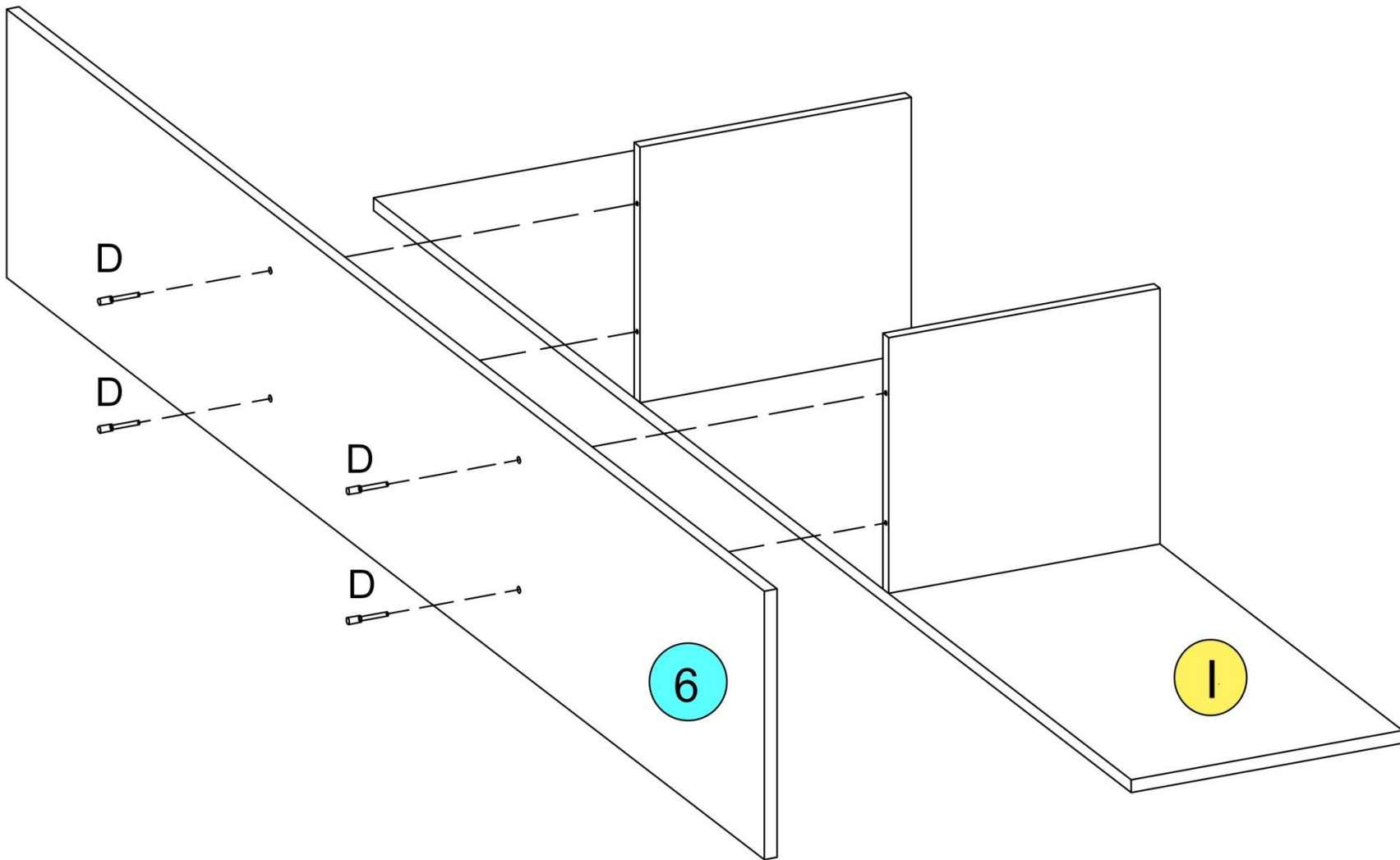


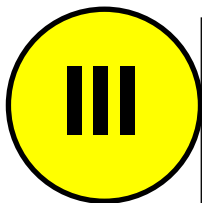
2





3





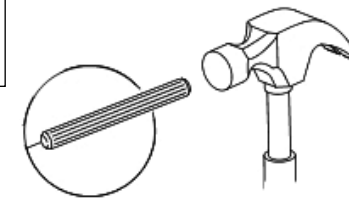
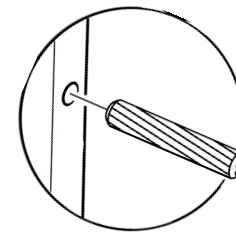
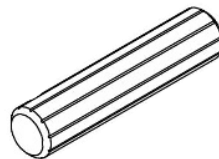
H1 x 14



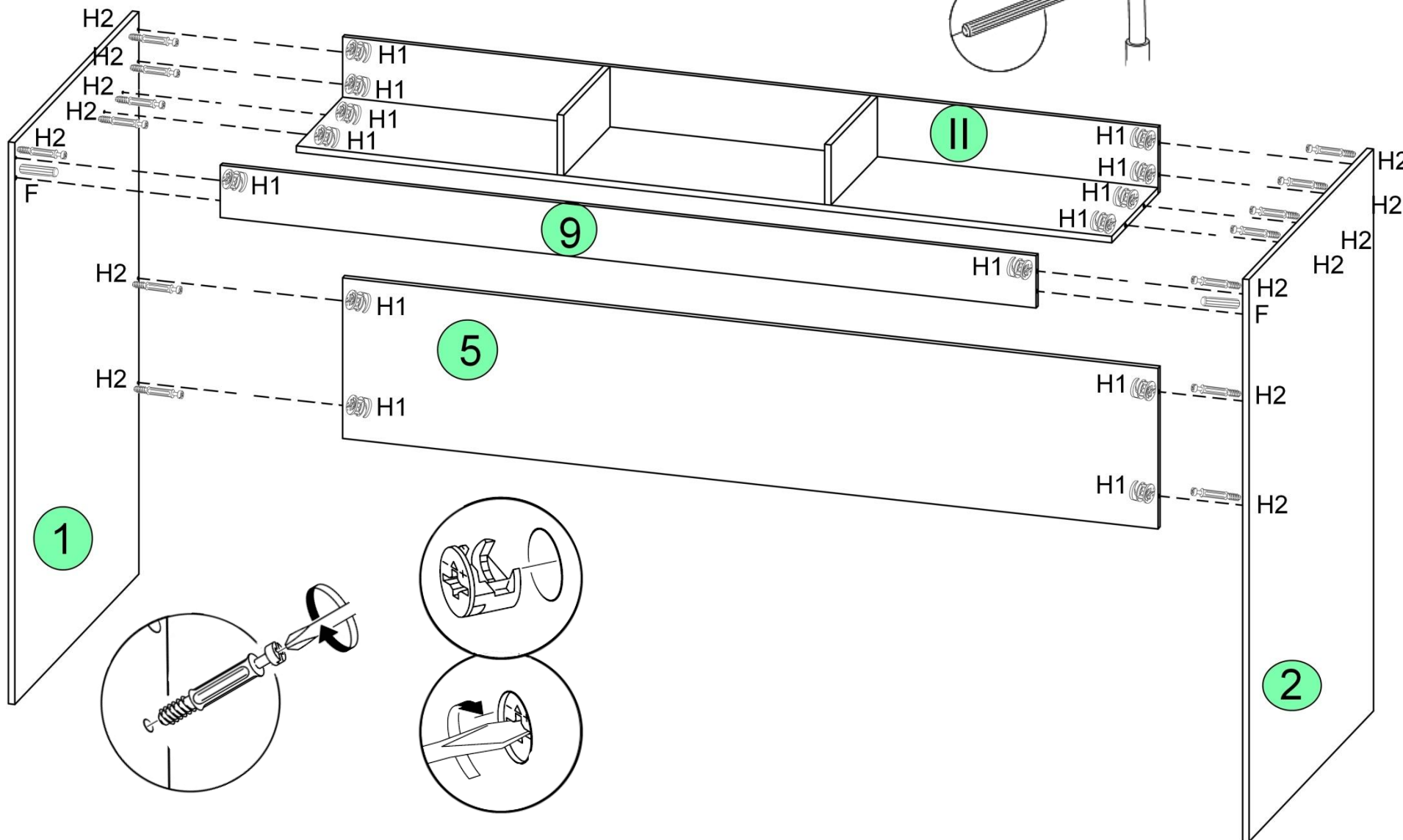
H2 x 14



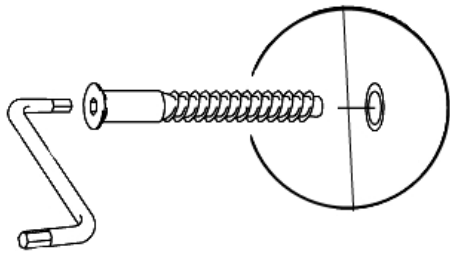
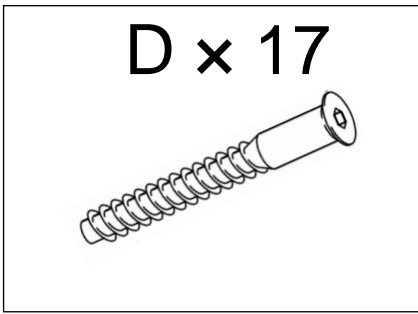
F x 1



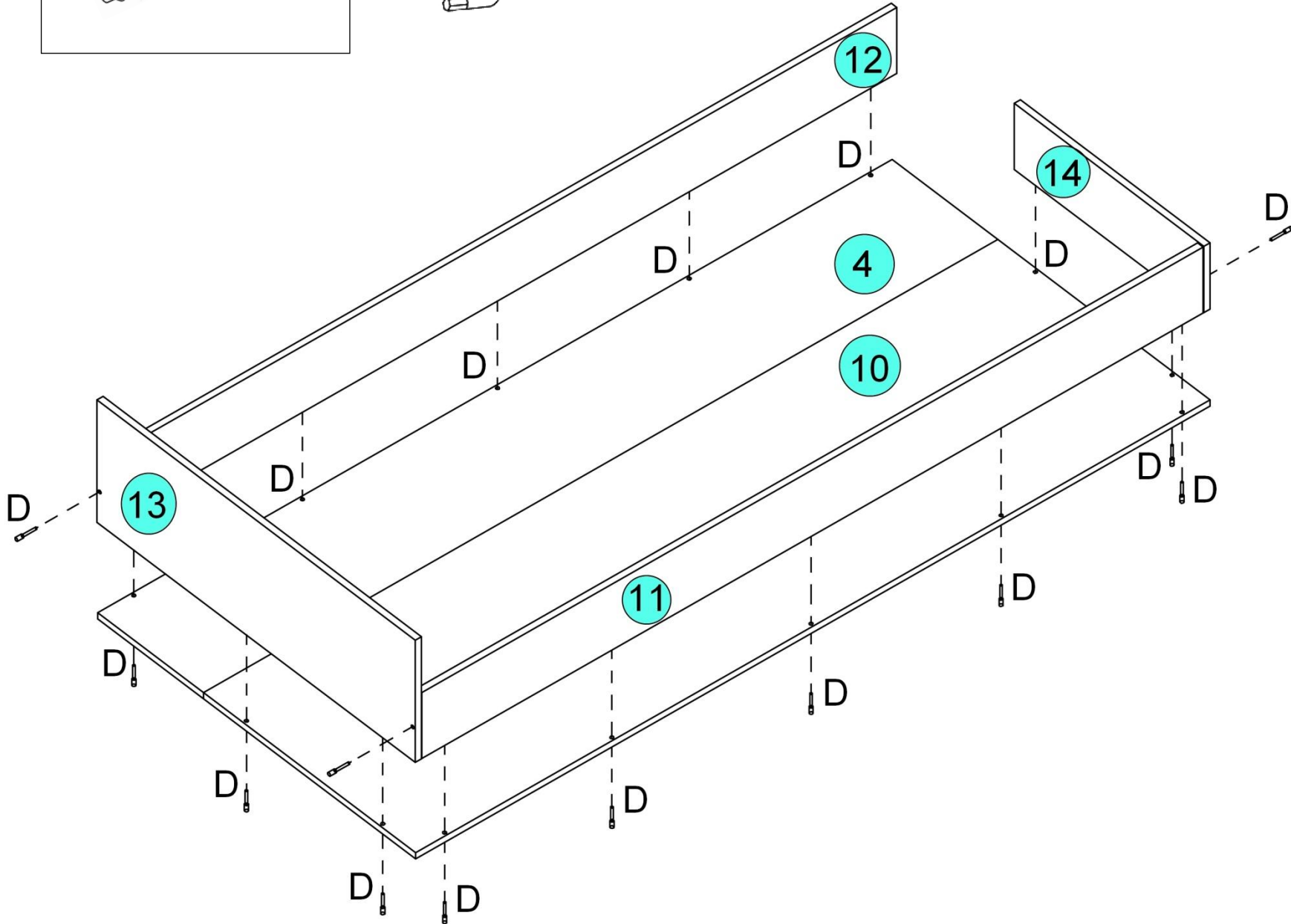
4



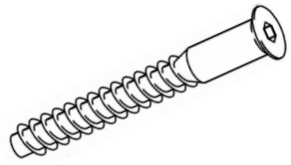
IV



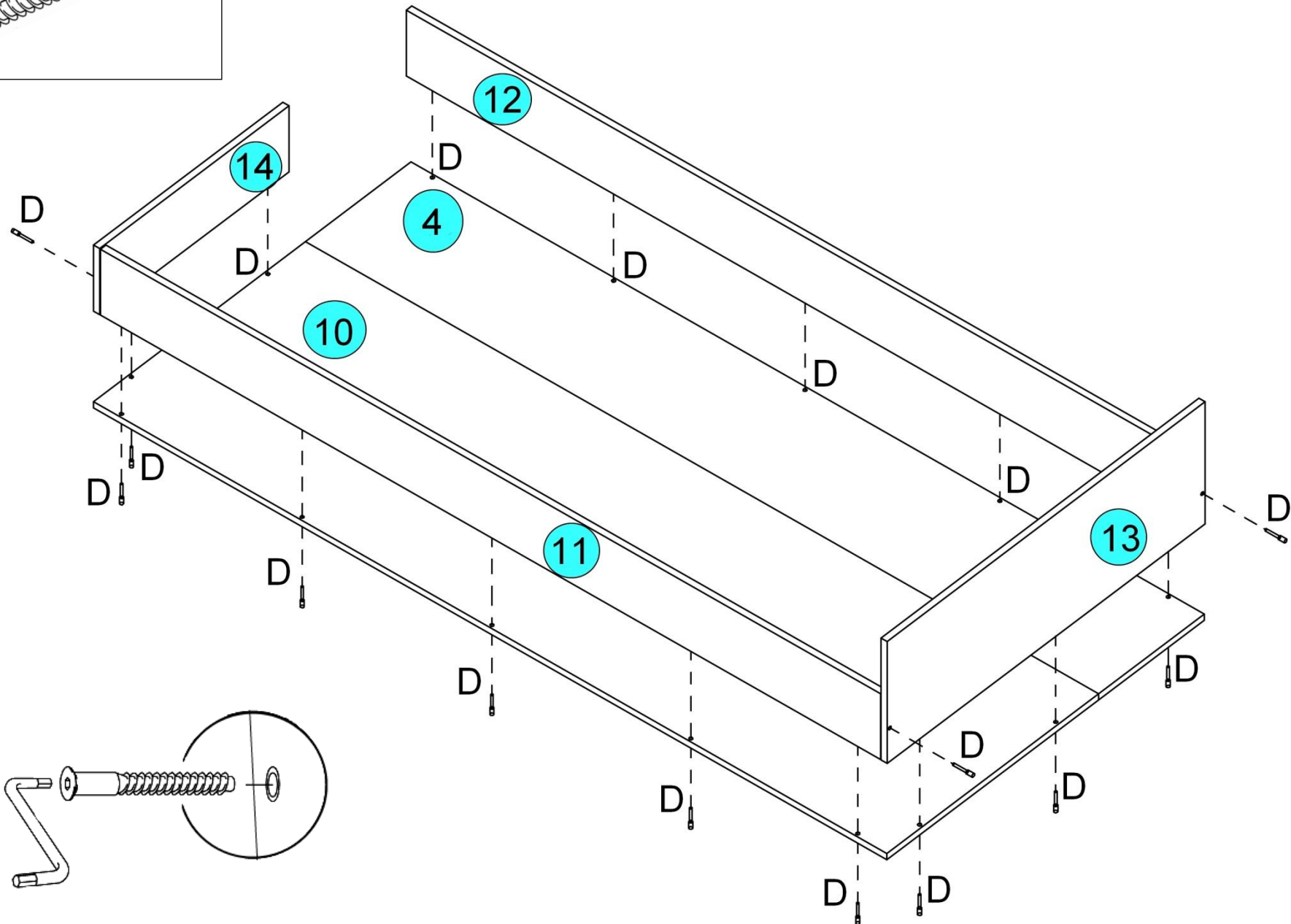
5





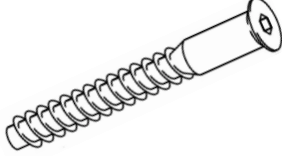
D x 17



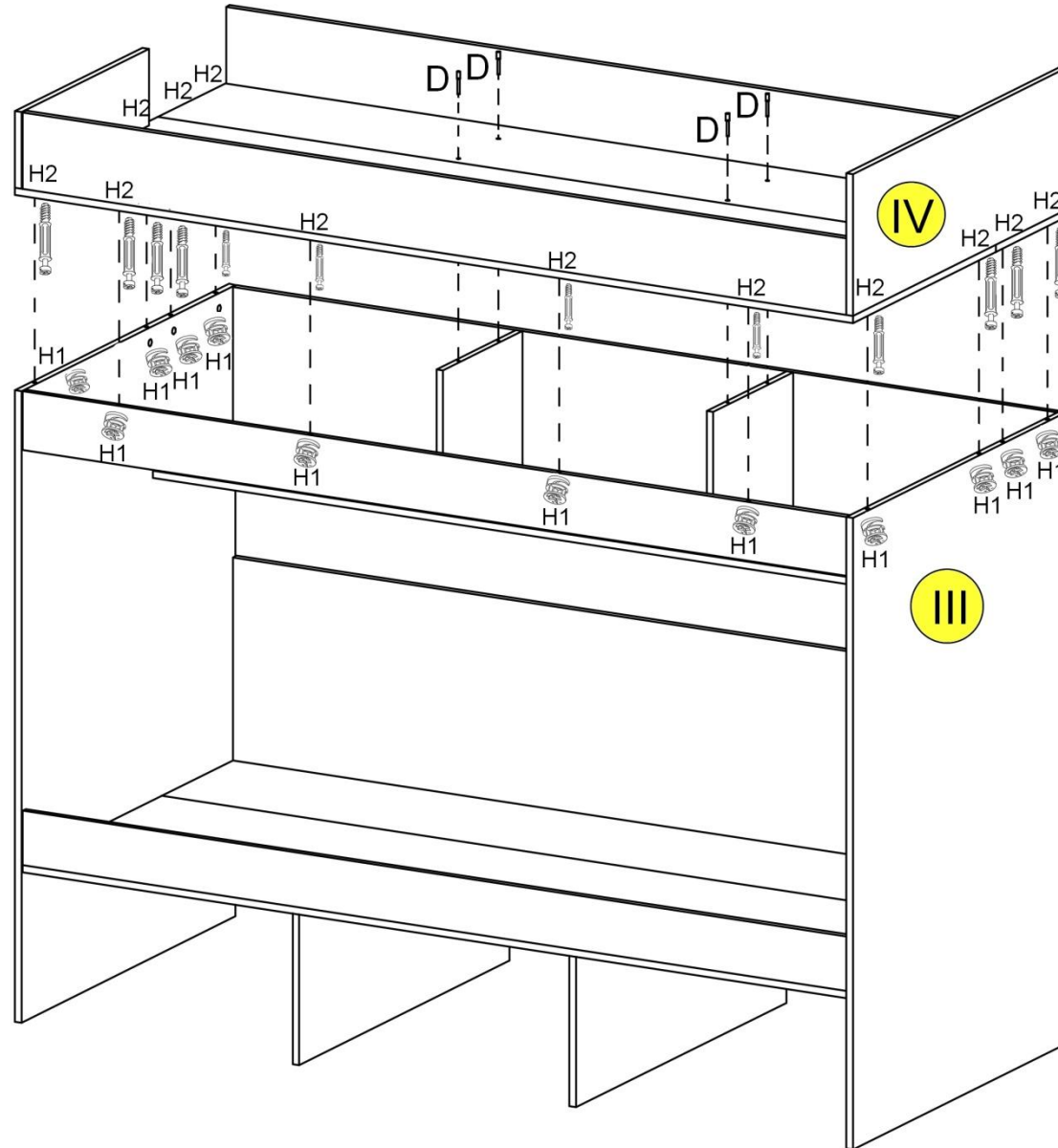
Der linken Montage



V

<p>H1 x 12</p> 	<p>H2 x 12</p> 	<p>D x 4</p> 
--	---	--

6



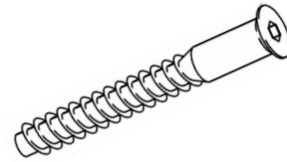
H1 x 12



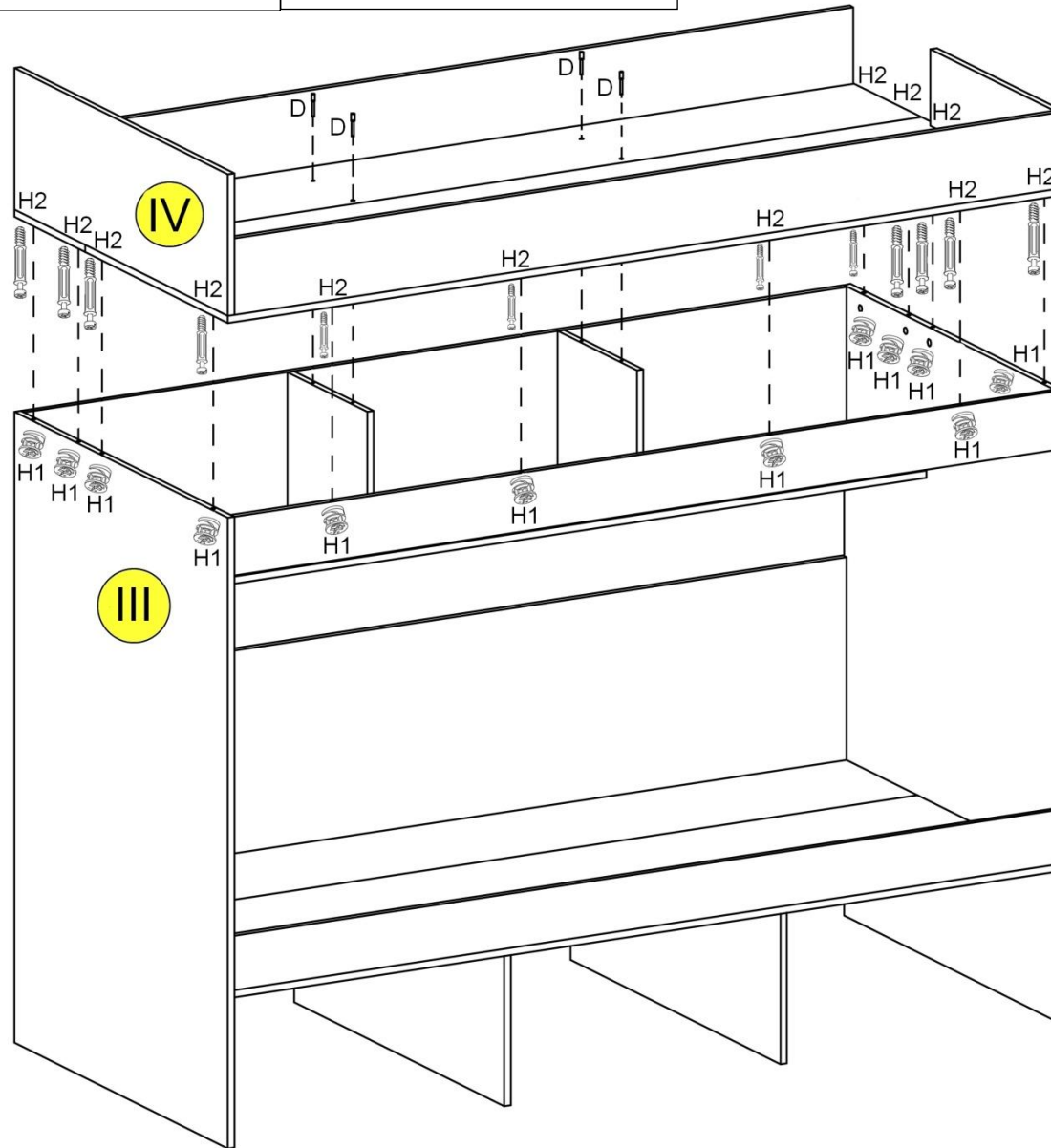
H2 x 12



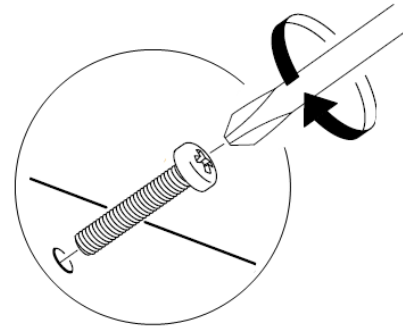
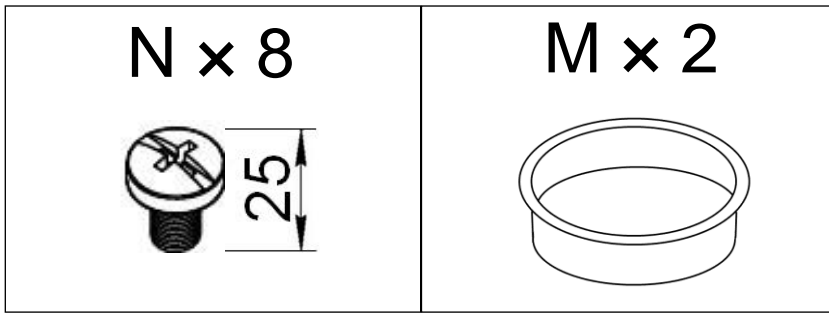
D x 4



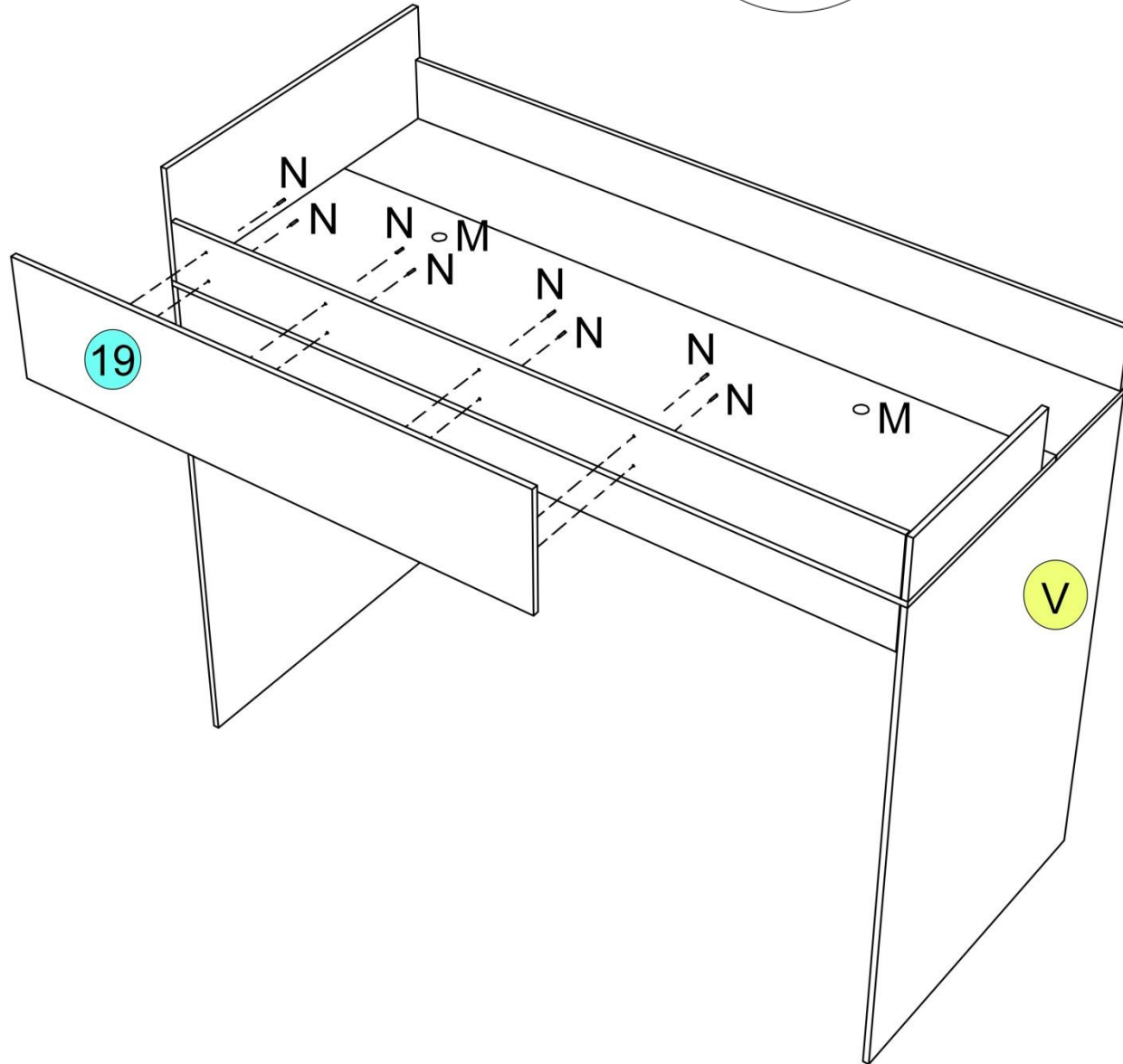
Der linken Montage

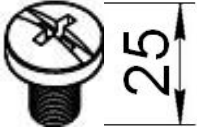
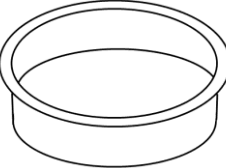


VI

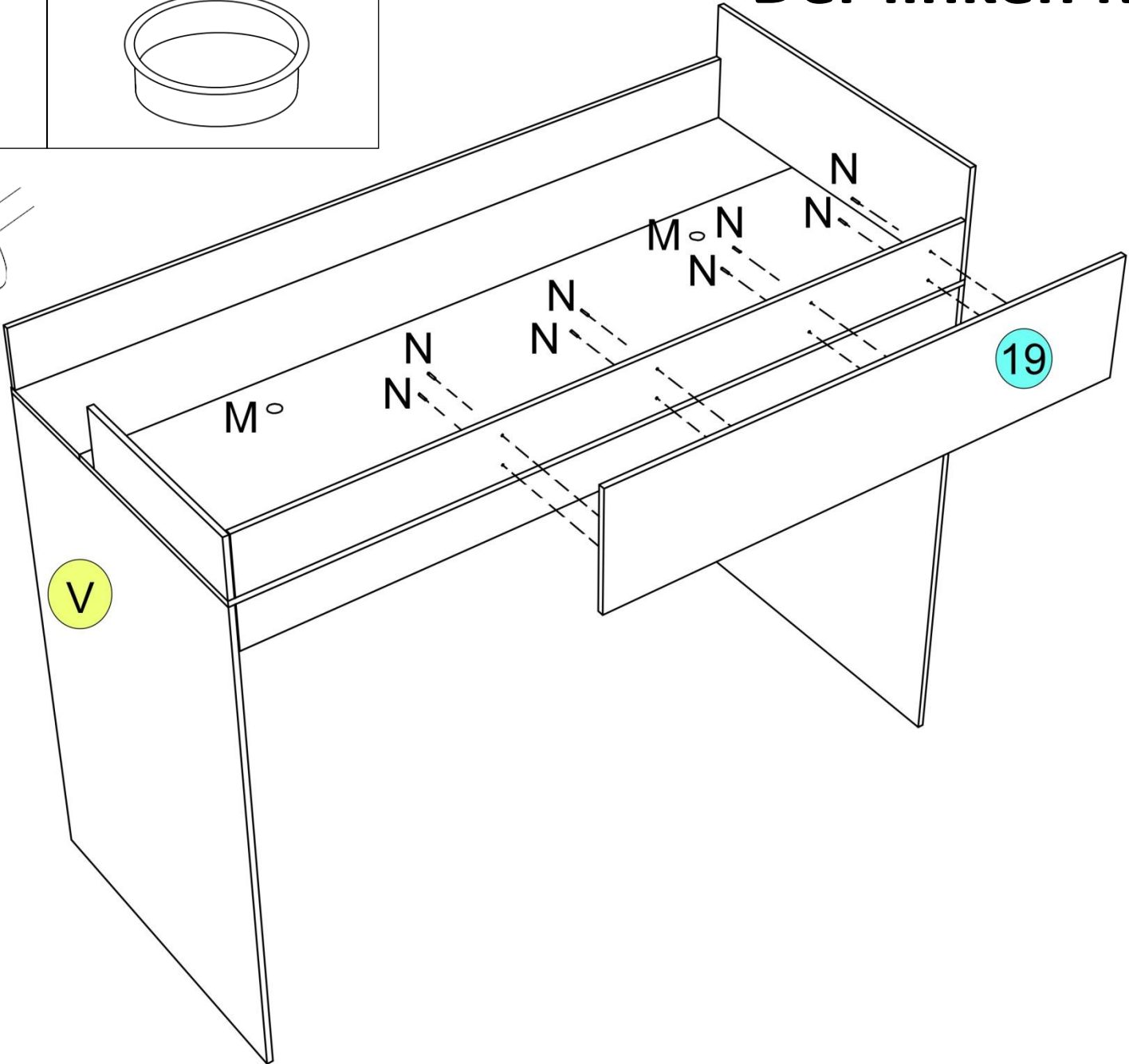
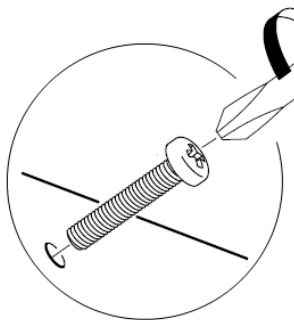


7

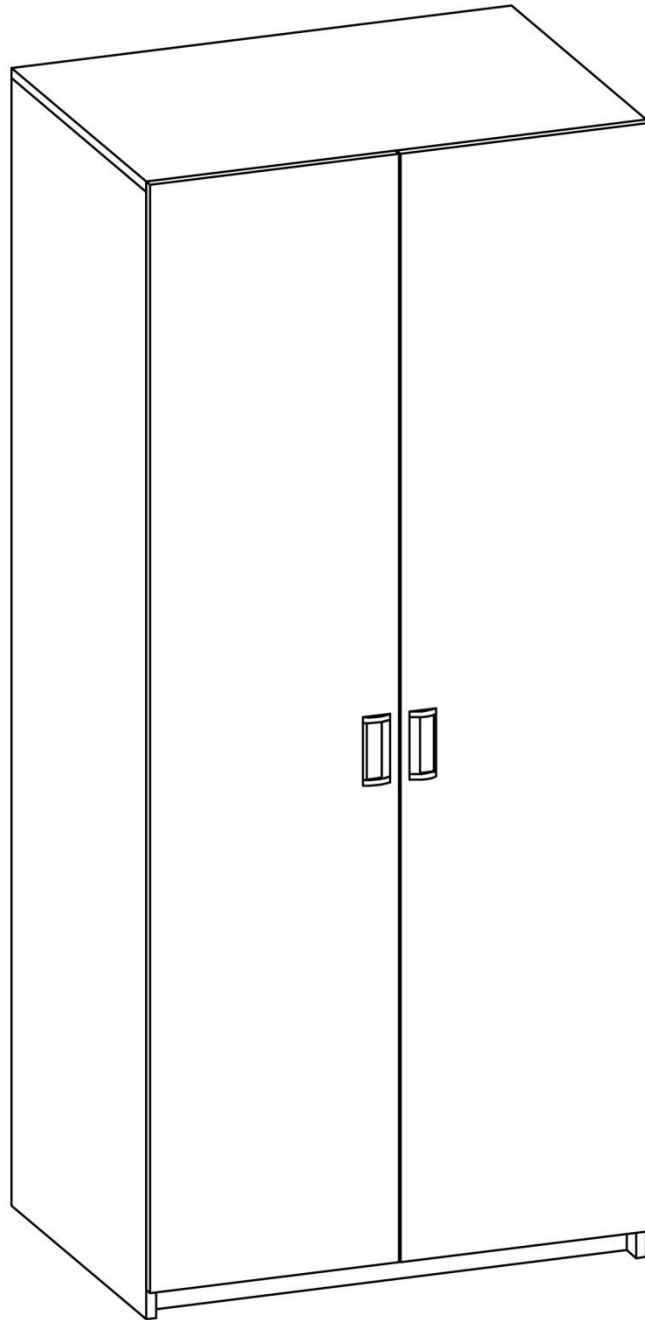


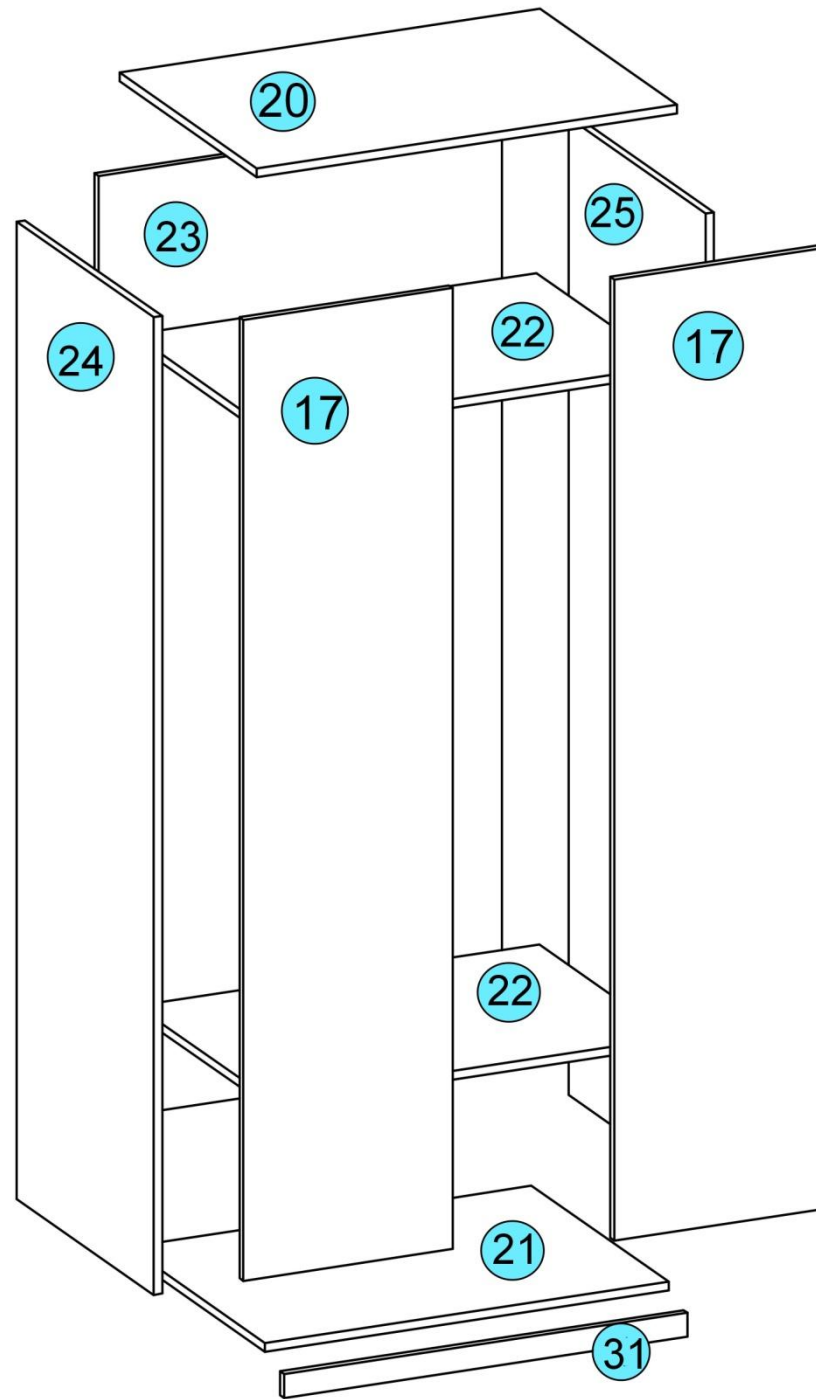
<p>$N \times 8$</p> 	<p>$M \times 2$</p> 
--	--

Der linken Montage

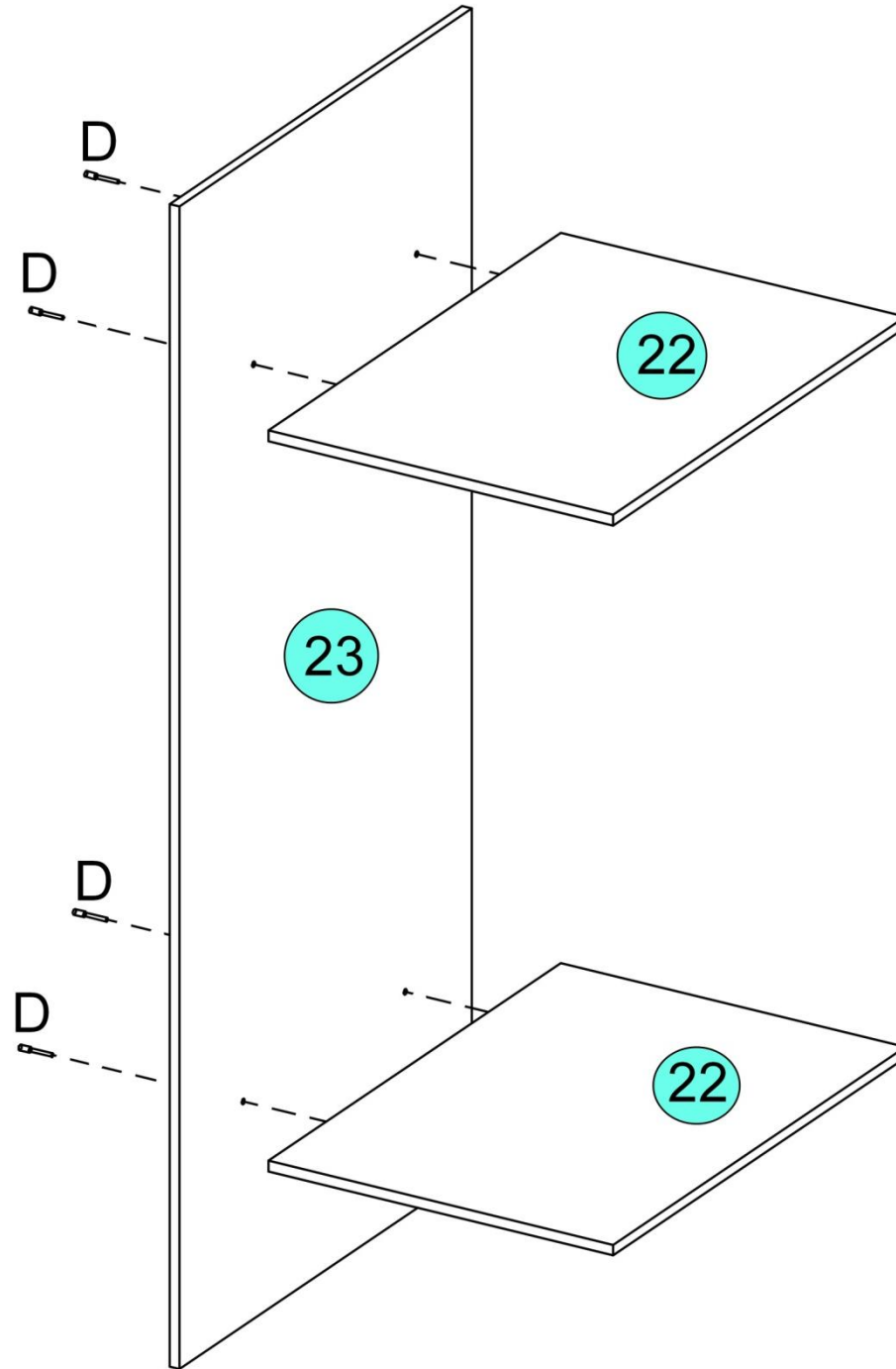
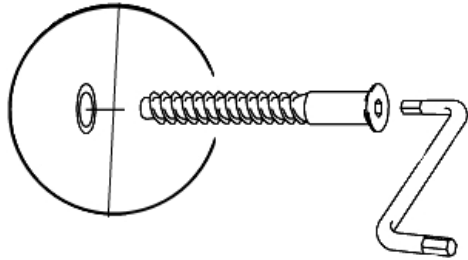
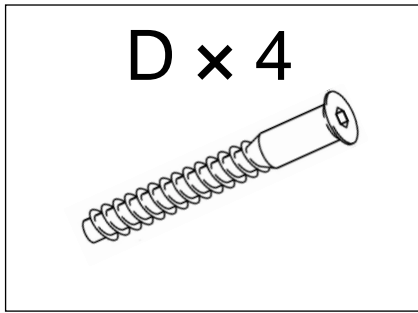


Cupboard Schlafsofa

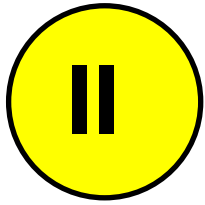




I

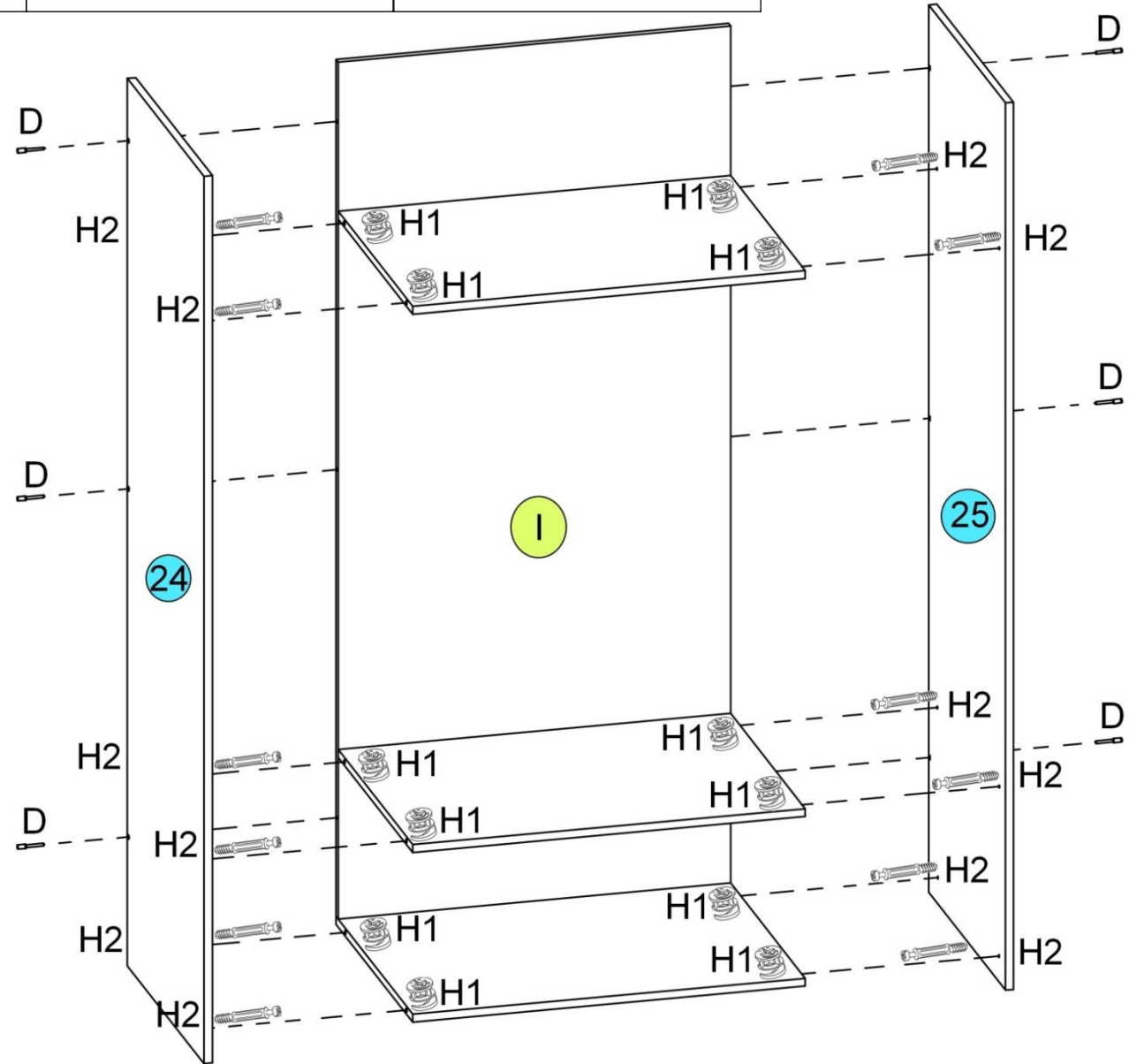
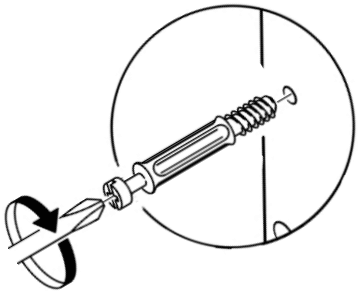
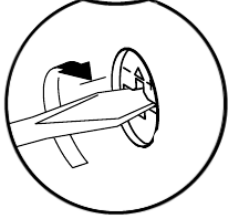
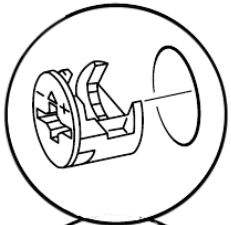


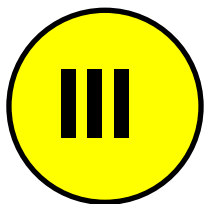
1

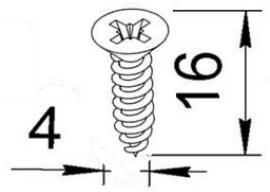
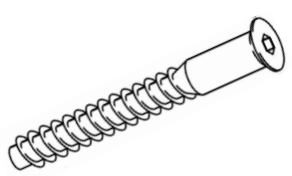
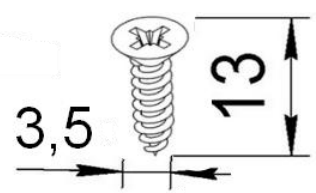
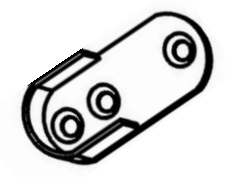
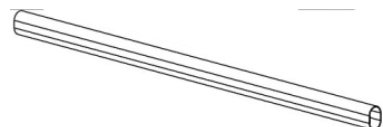
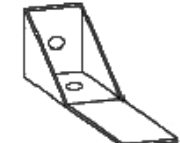


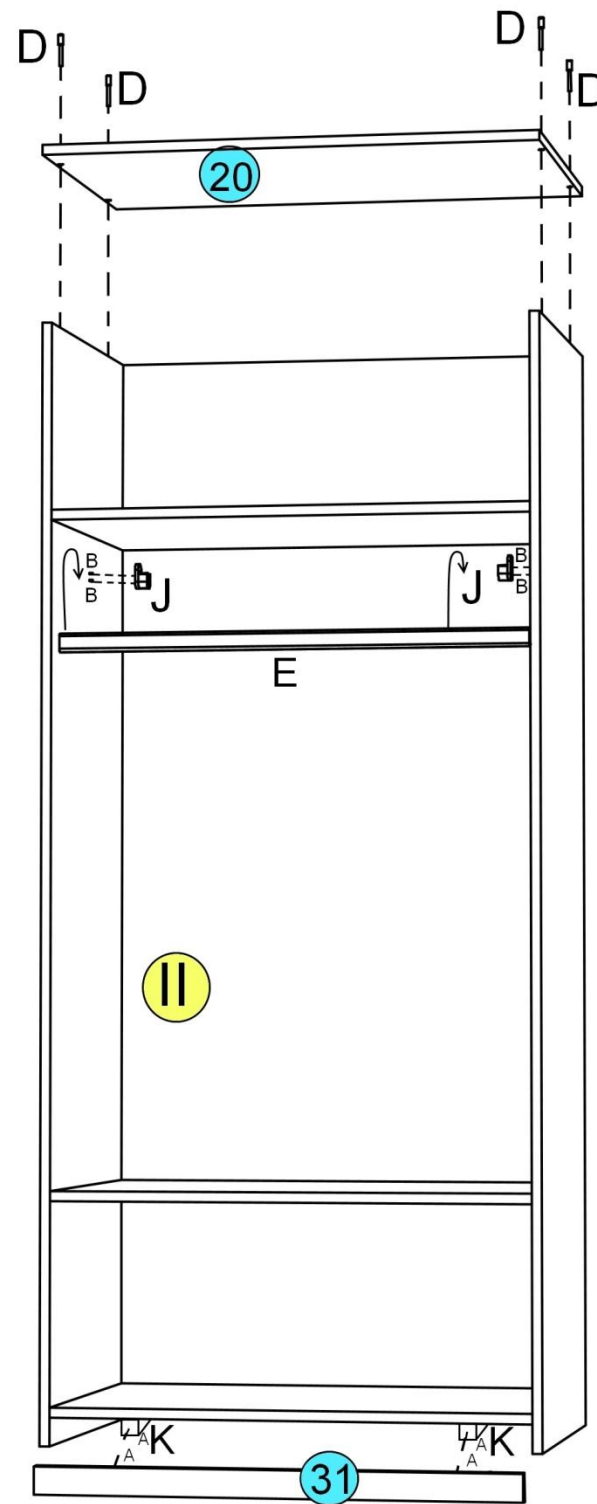
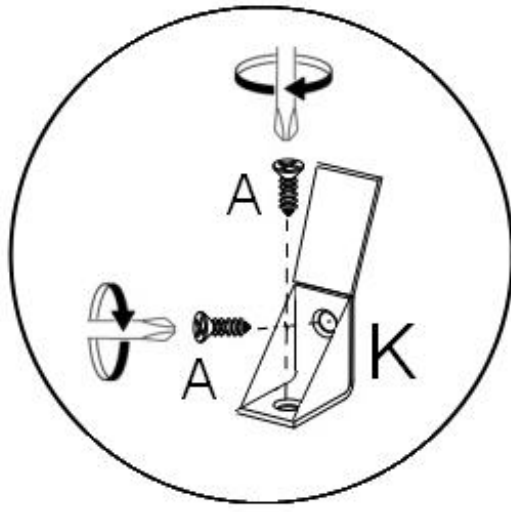
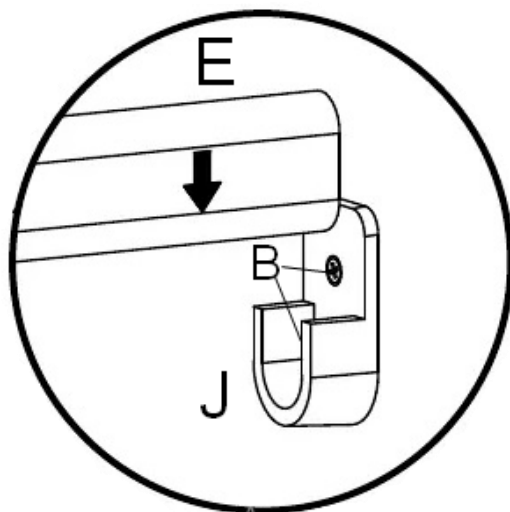
H1 x 12	H2 x 12	D x 6

2

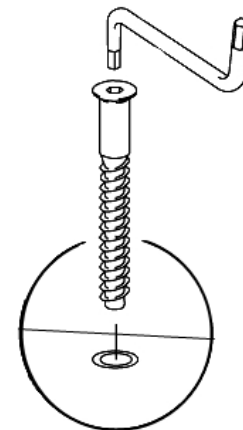




<p>A x 4</p> 	<p>D x 4</p> 
<p>B x 4</p> 	<p>J x 2</p> 
<p>E x 1</p> 	<p>K x 2</p> 

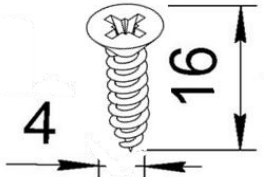


3



31

A x 24



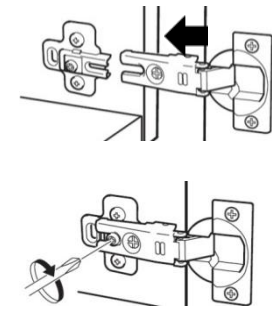
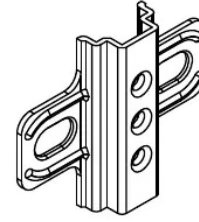
G x 2



O x 4

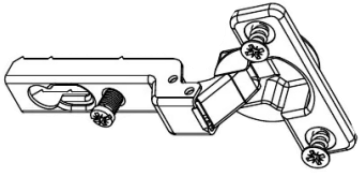


C1 x 6



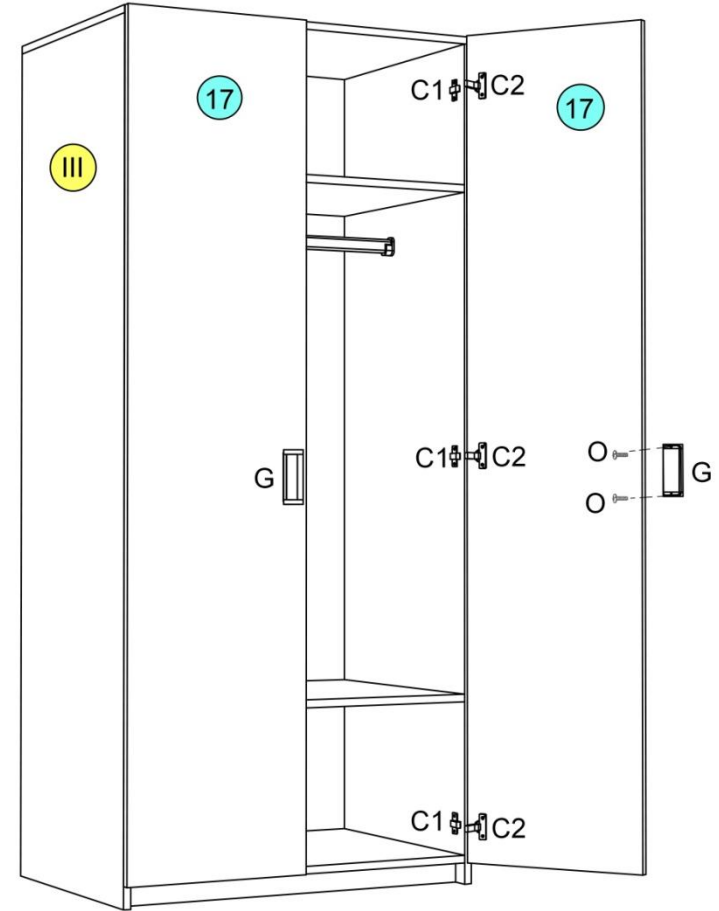
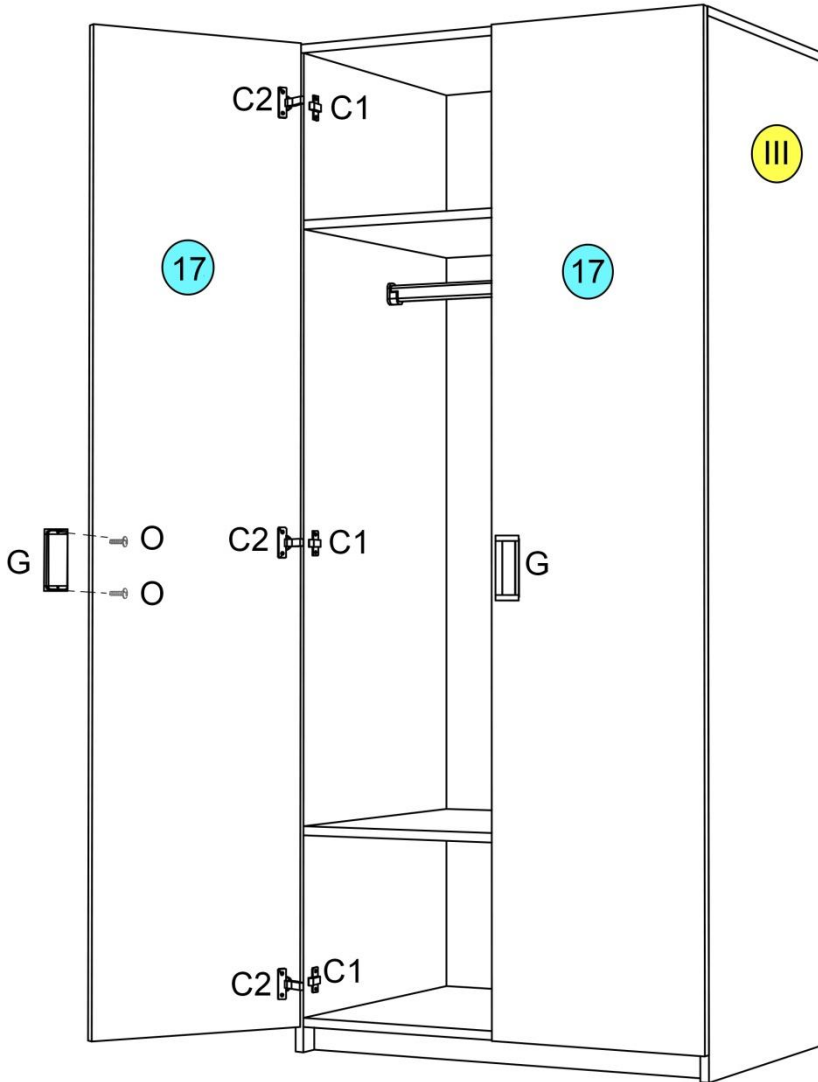
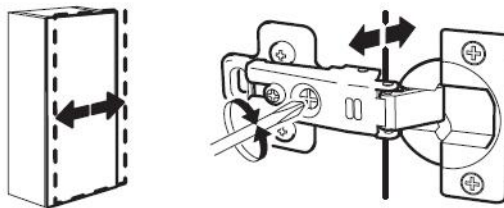
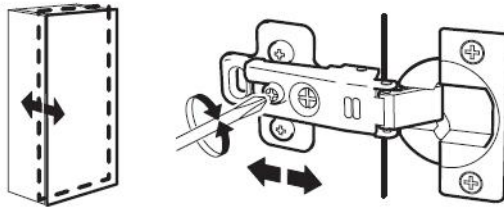
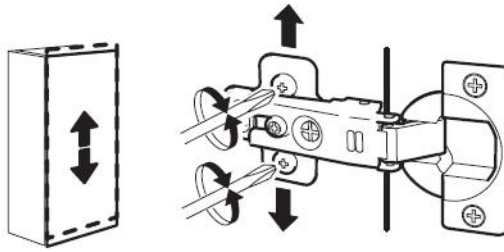
4

C2 x 6

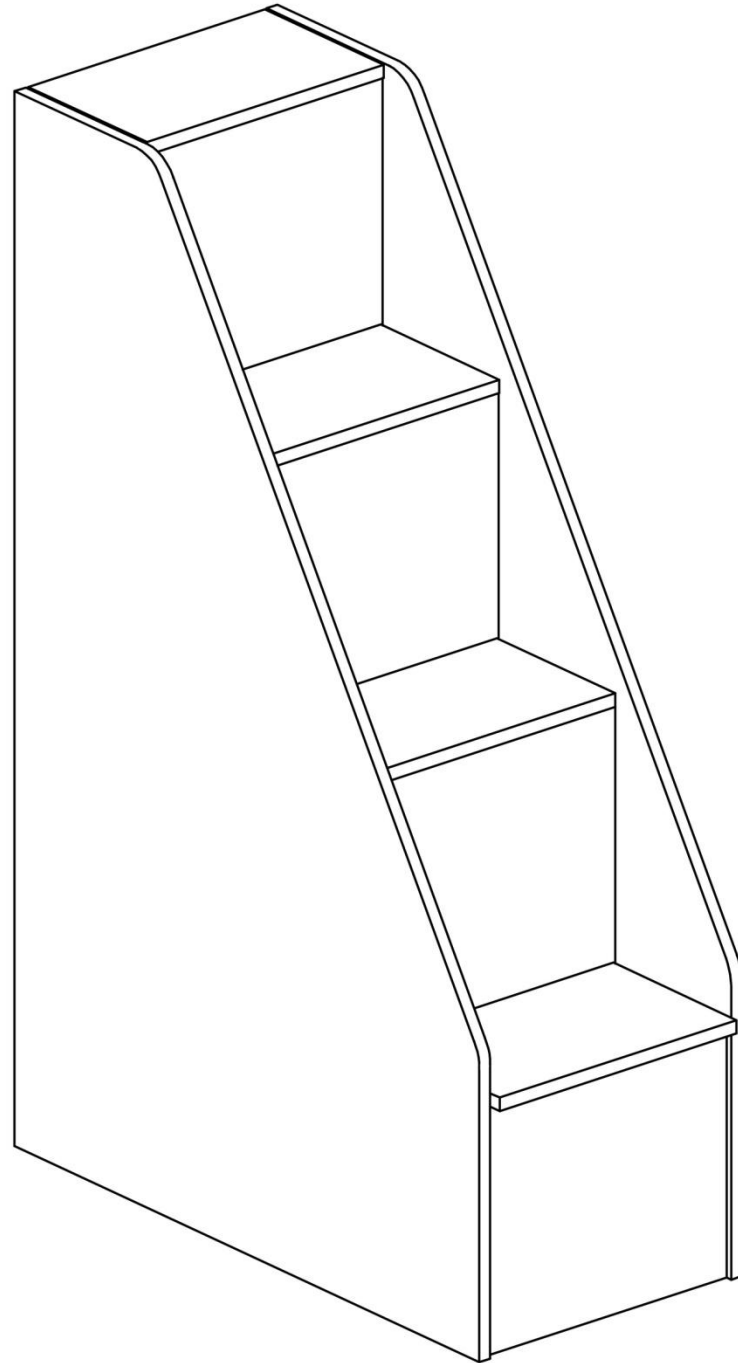


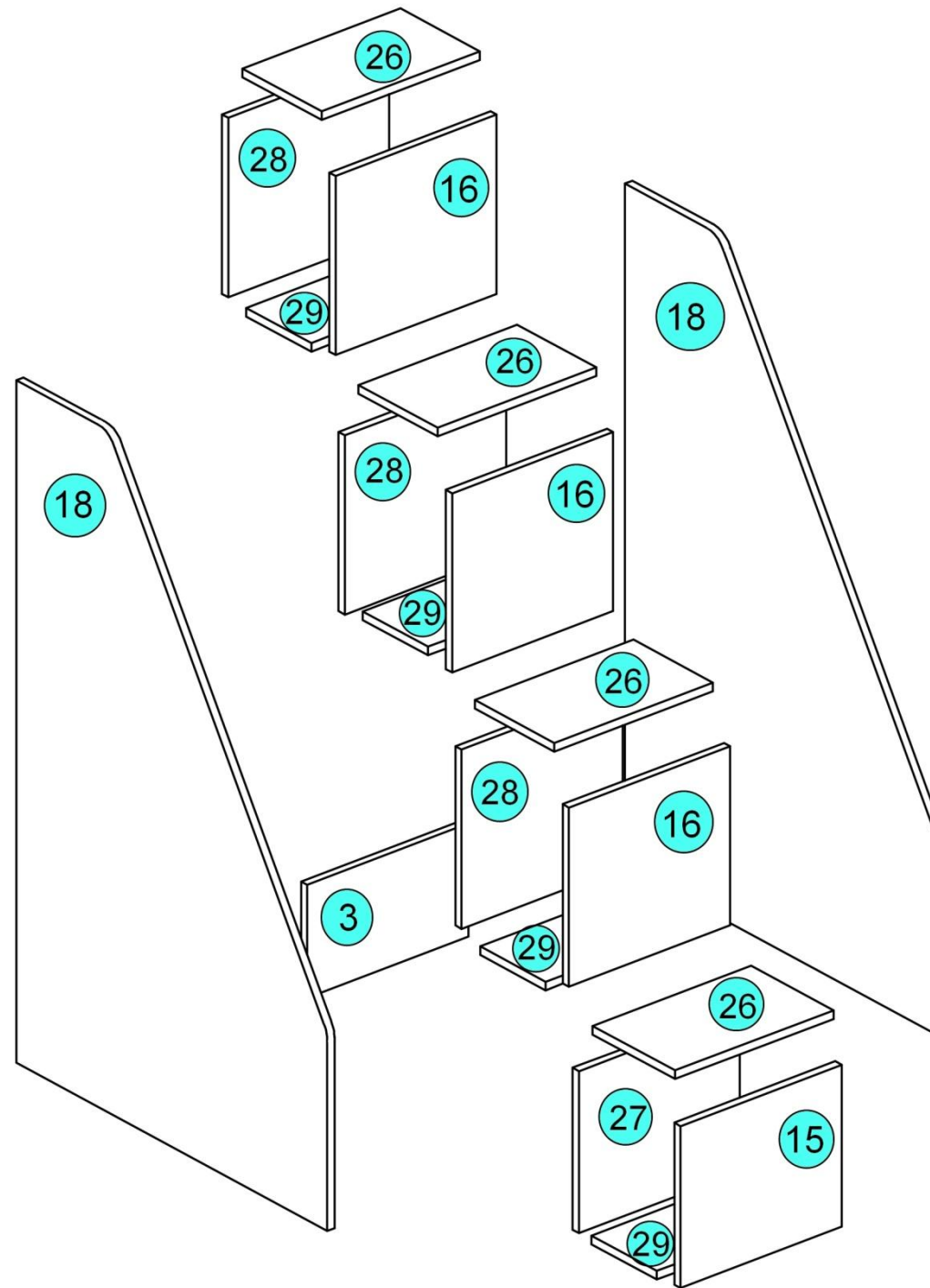
linke Tür

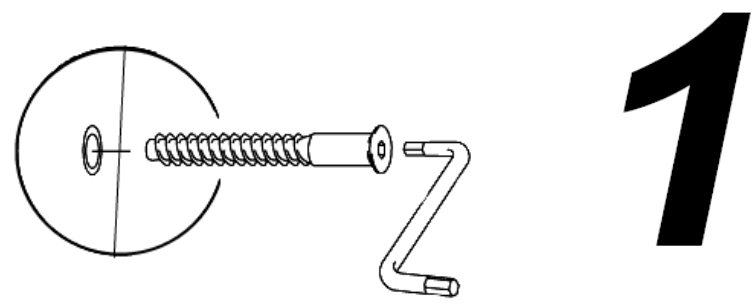
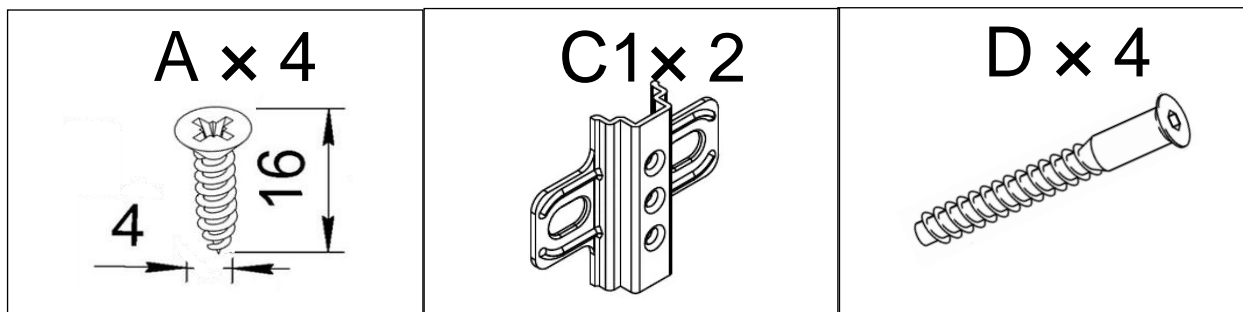
rechte Tür



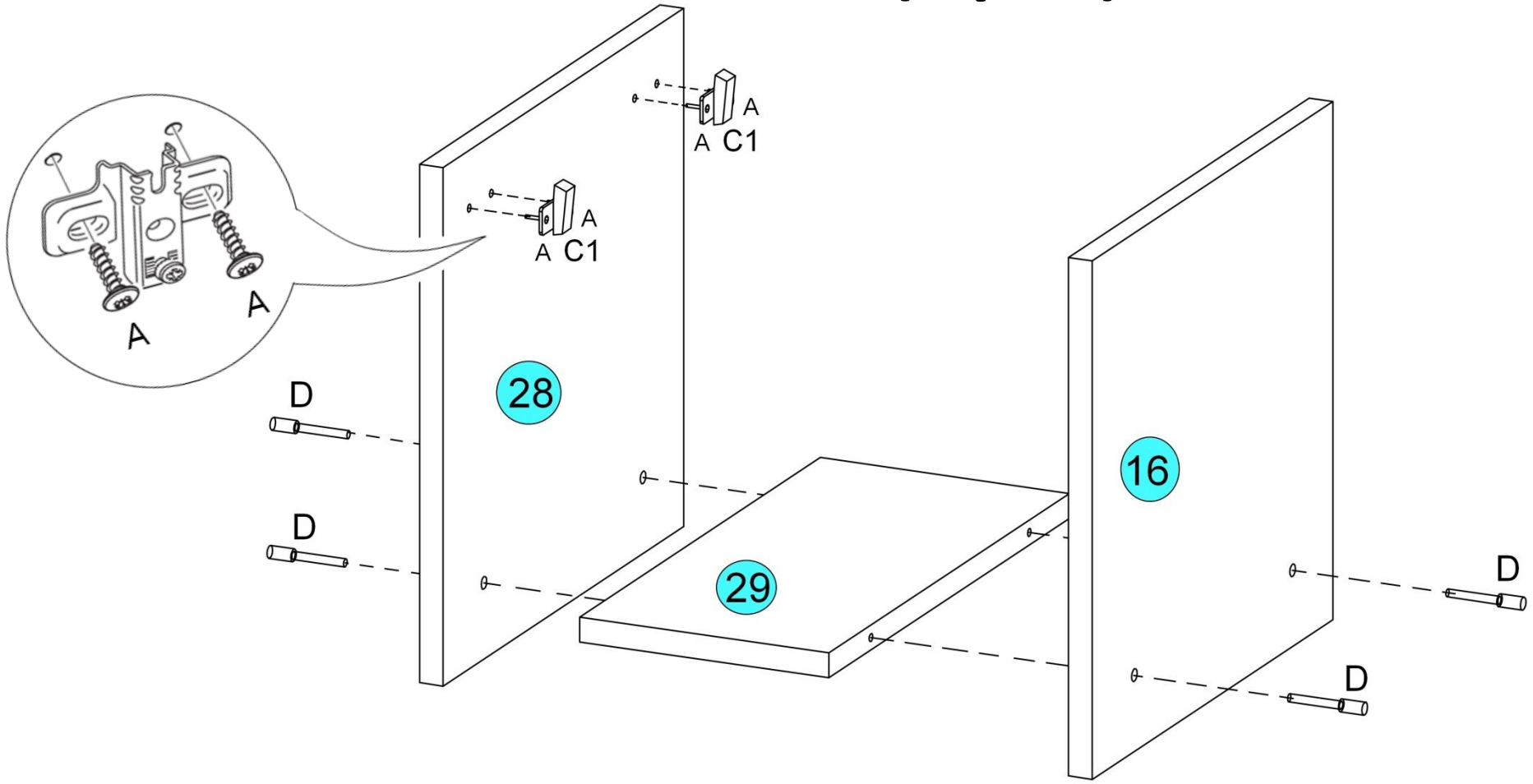
Stairs Schlafsofa

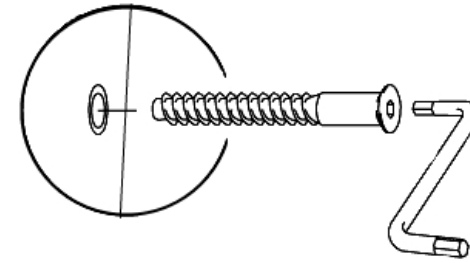
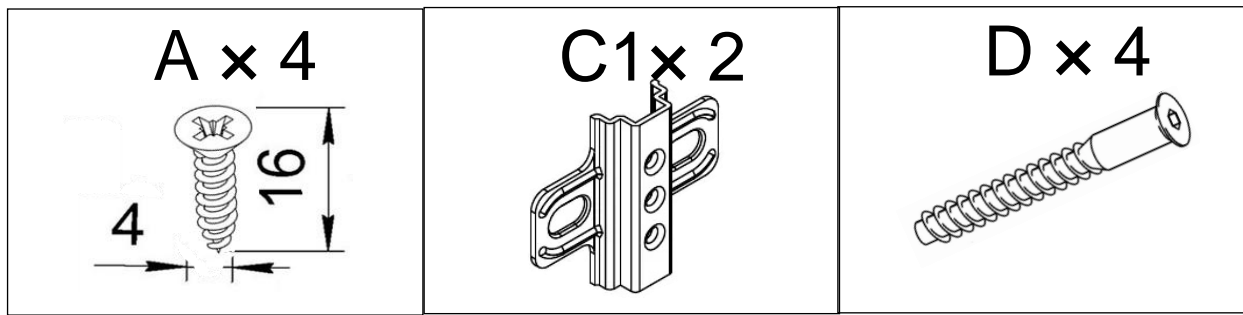






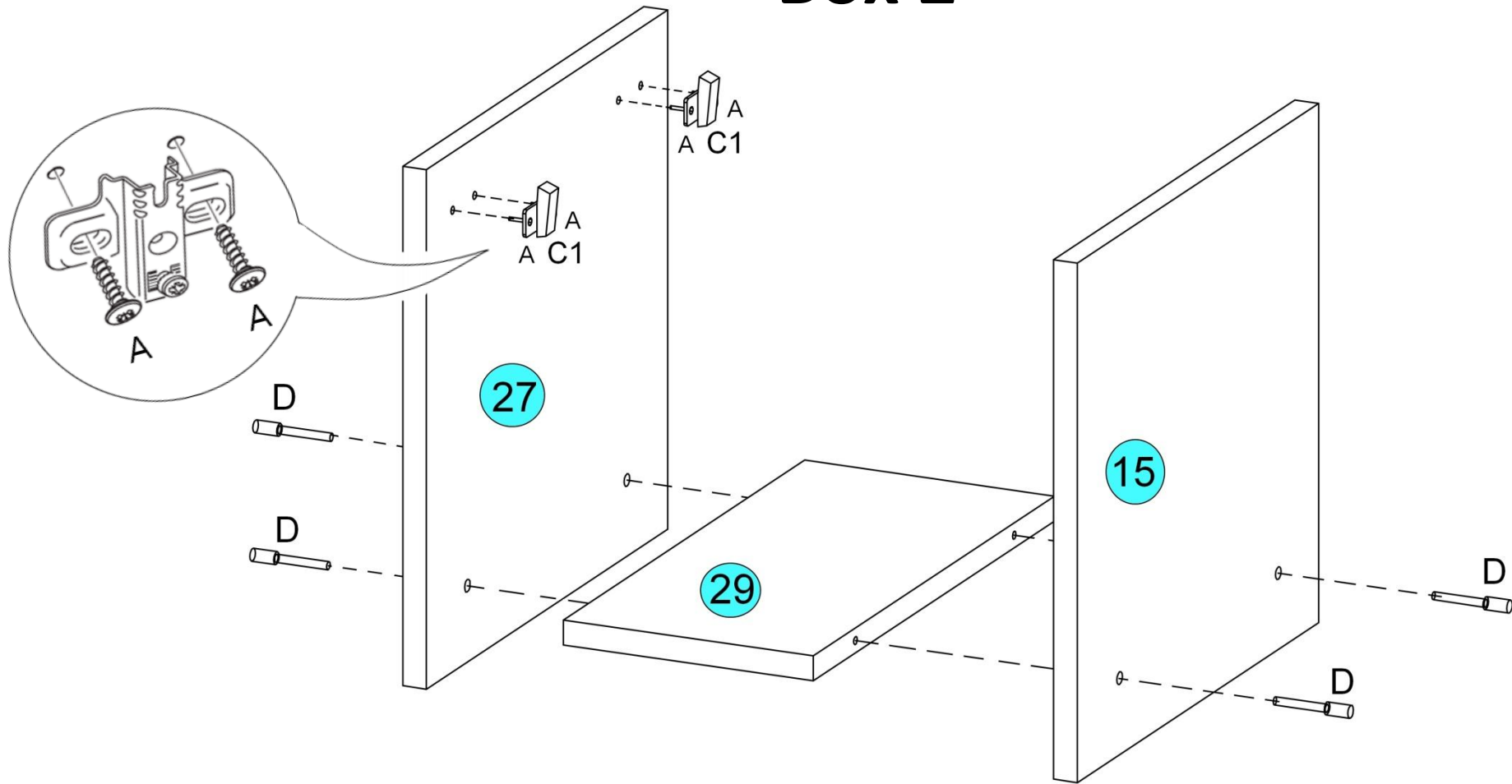
Box 1 (3 pcs.)

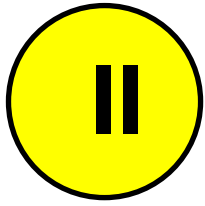




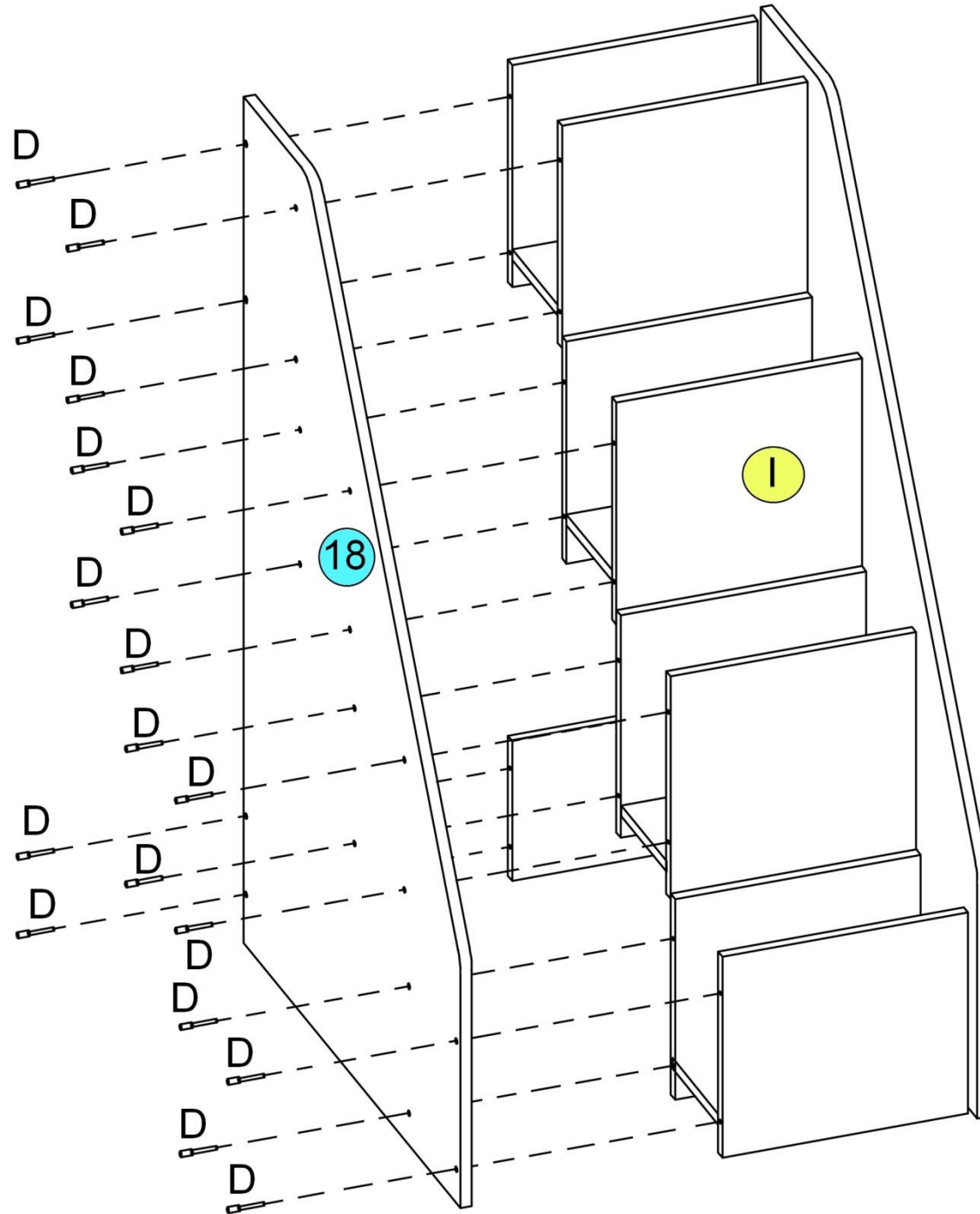
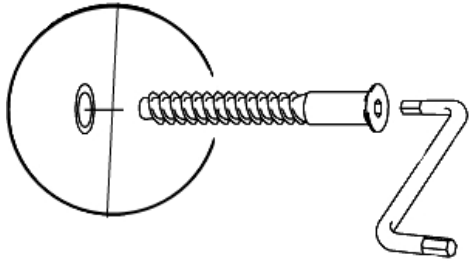
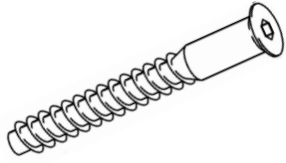
2

Box 2



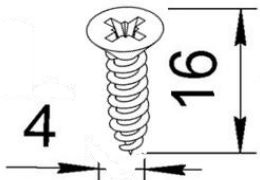


D x 18

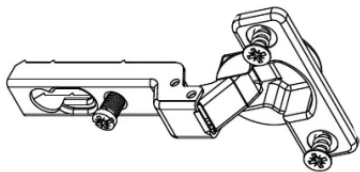


4

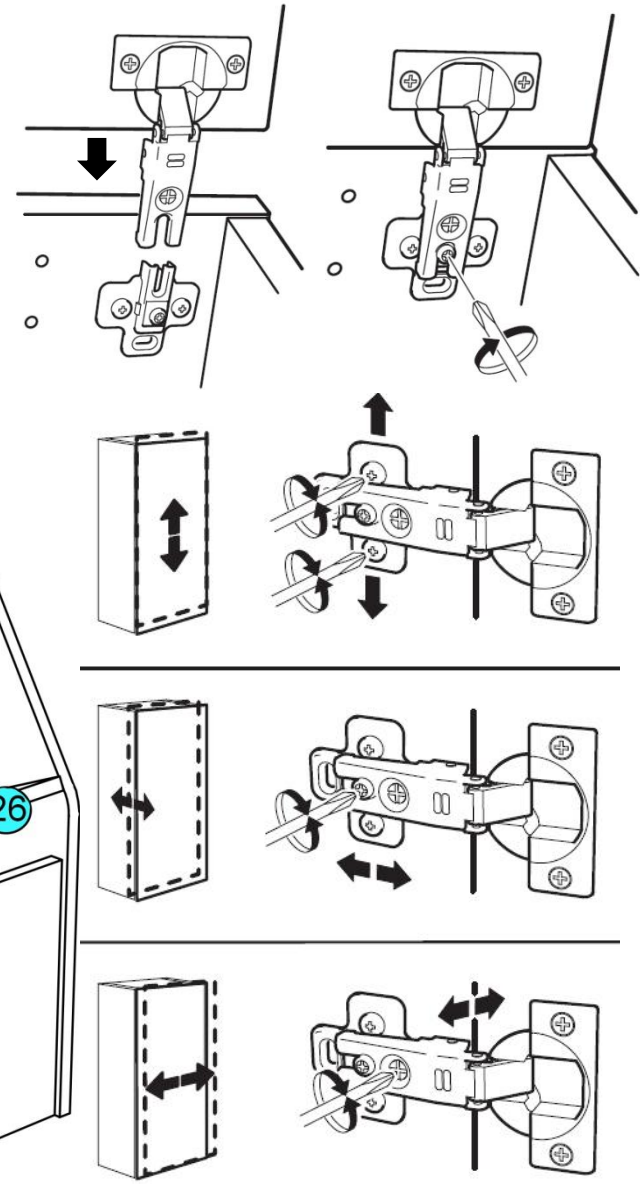
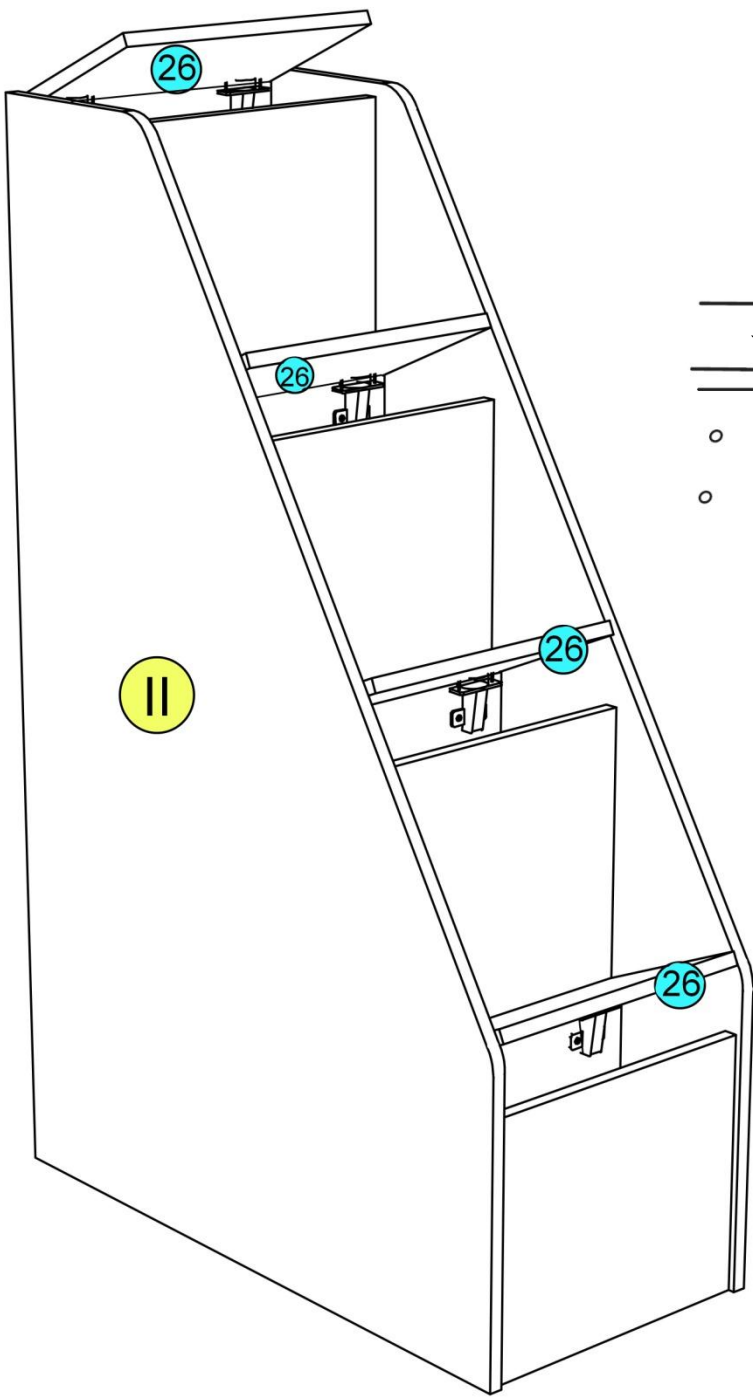
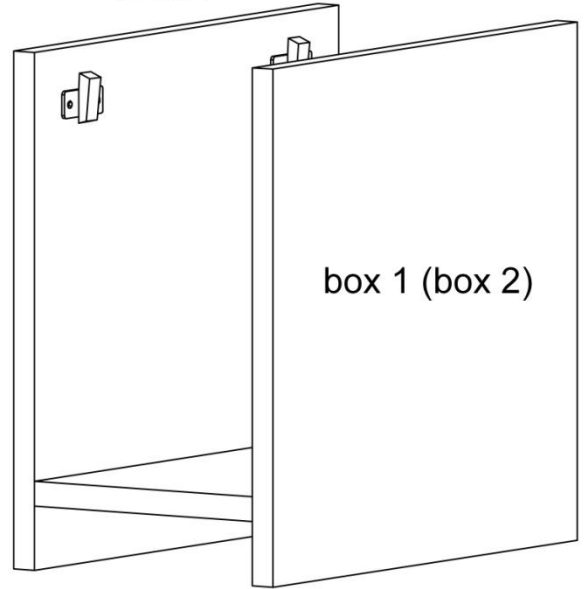
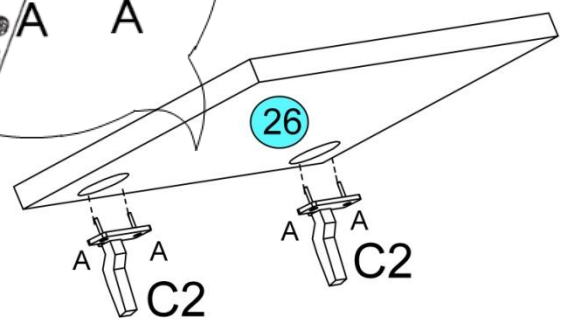
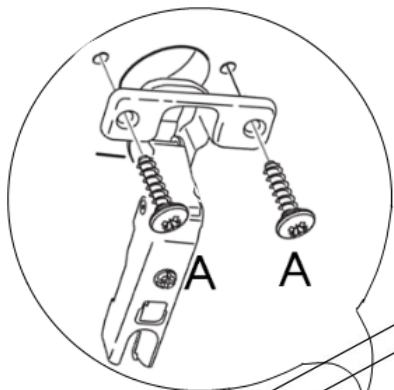
A x 16



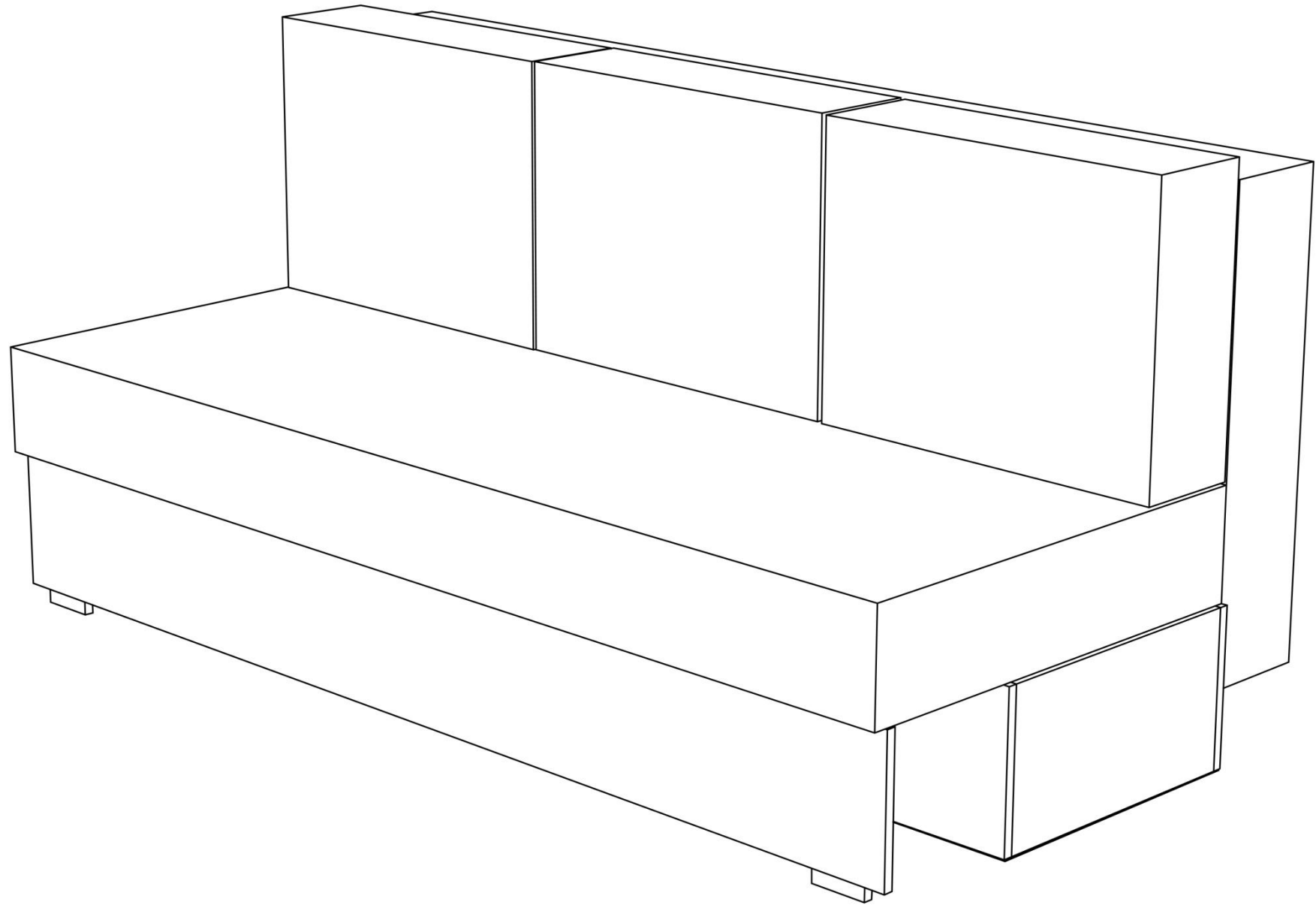
C2 x 8

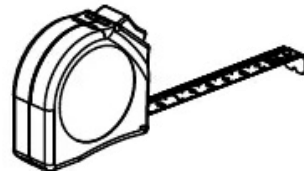


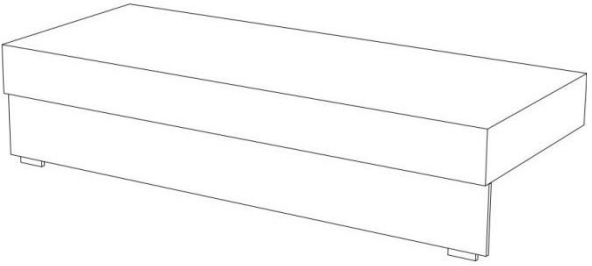
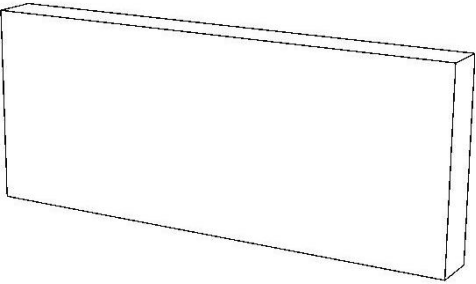
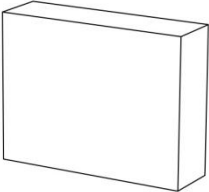
5

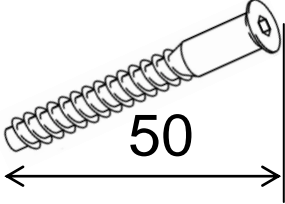



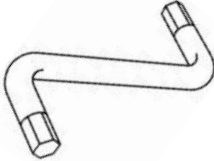
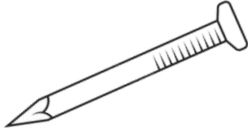

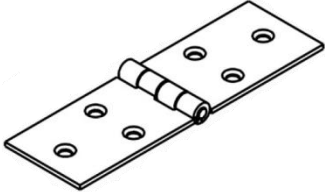


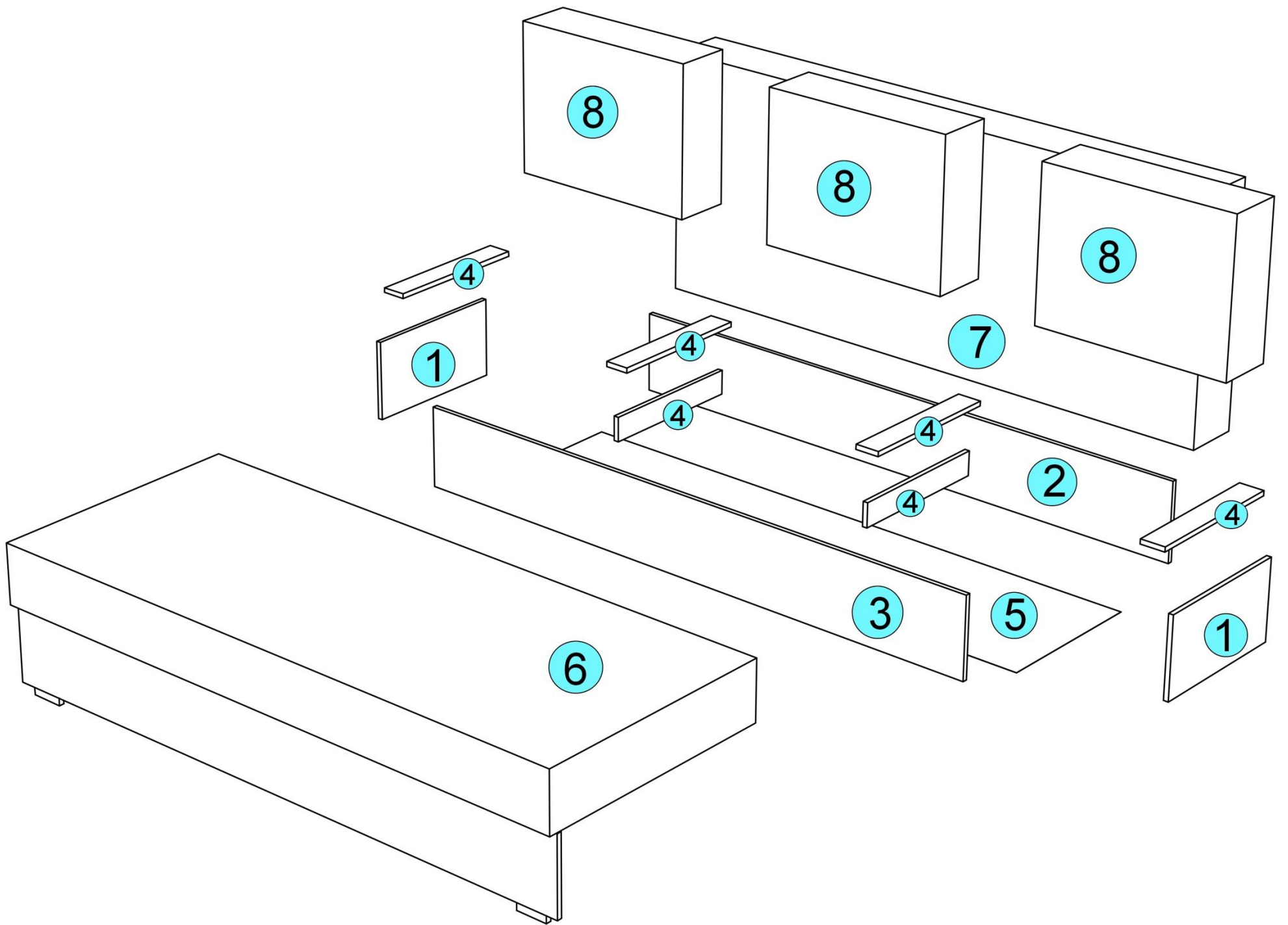
Sofa Schlafsofa

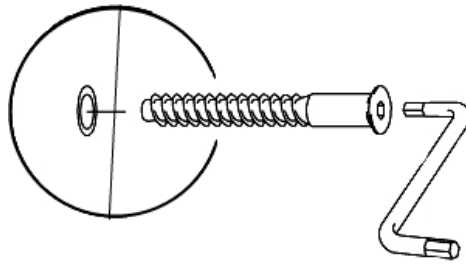
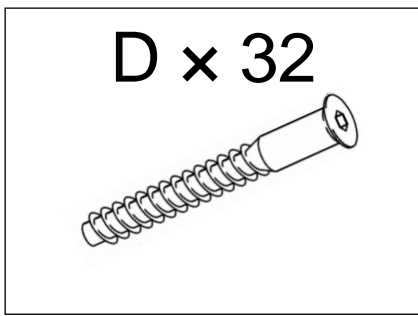
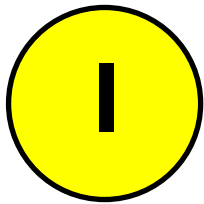




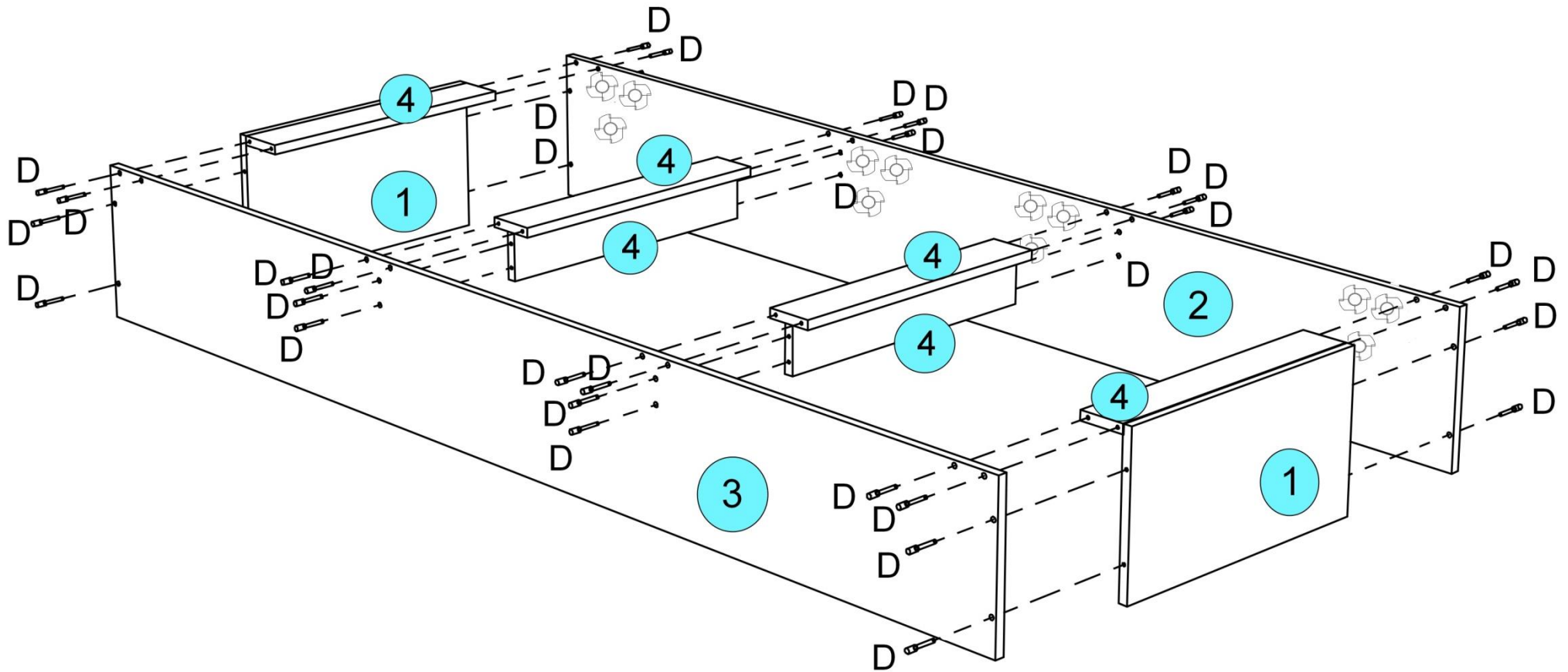
position	details		thickness	quantity
	length	width		
1	490	265	16	2
2	2006	265	16	1
3	2006	265	16	1
4	490	80	16	6
5	2003	518	3	1
6			1	
7			1	
8			3	

<p>D x 40</p> 	<p>I x 6</p> 
<p>D1 x 4</p> 	<p>N x 12</p> 
<p>L x 1</p> 	<p>P x 50</p> 
<p>R x 12</p> 	<p>S x 4</p> 



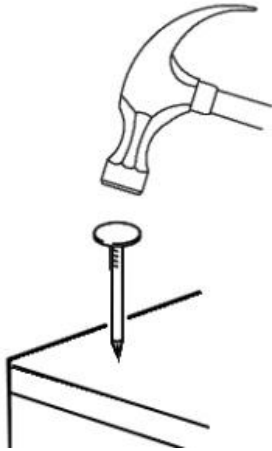
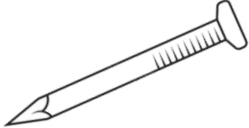


1

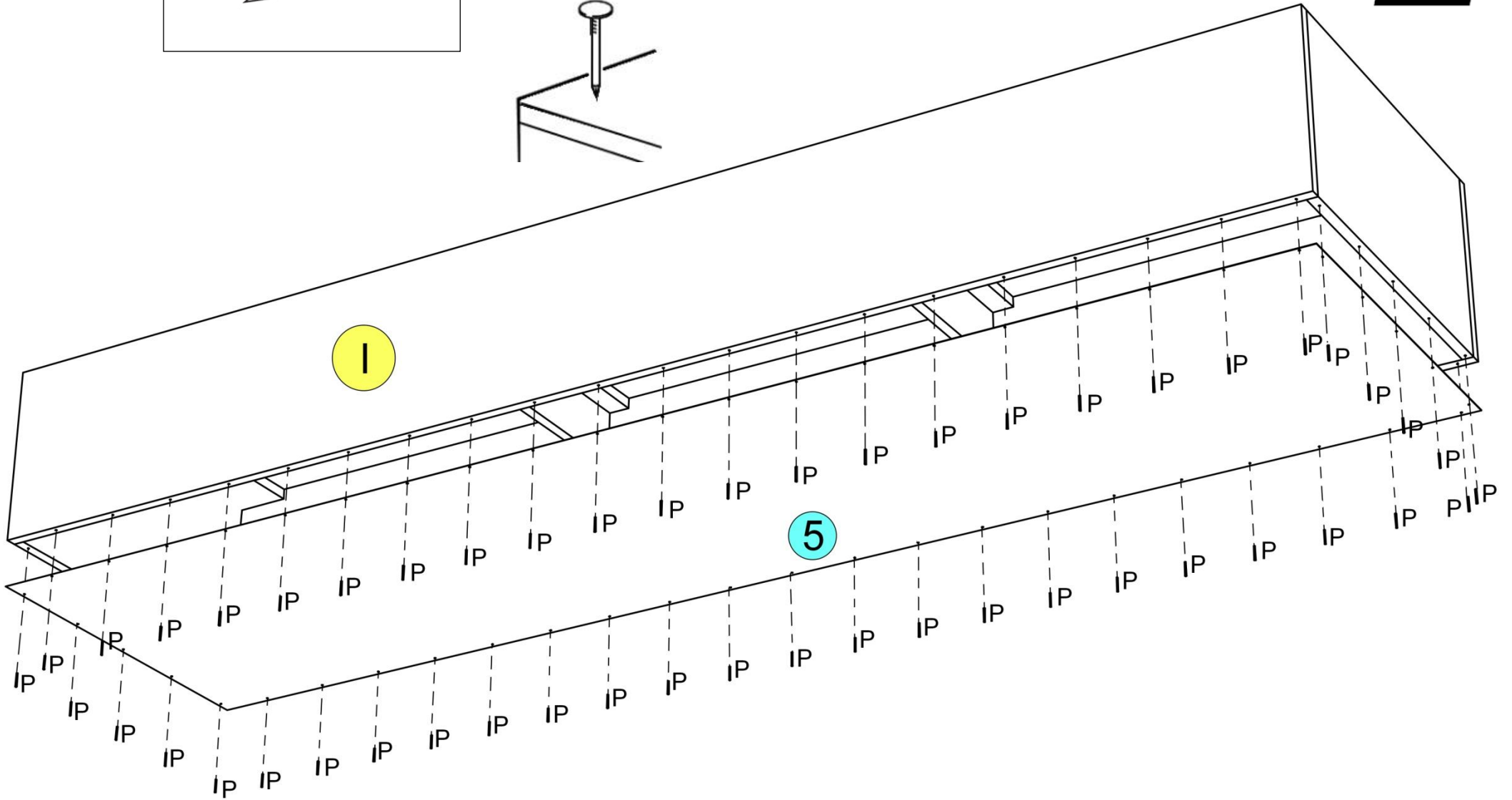


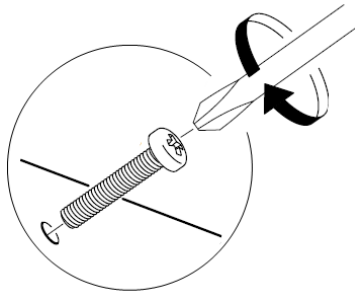
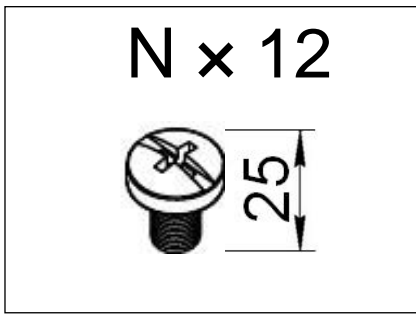
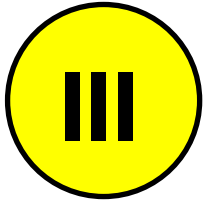
II

P x 50

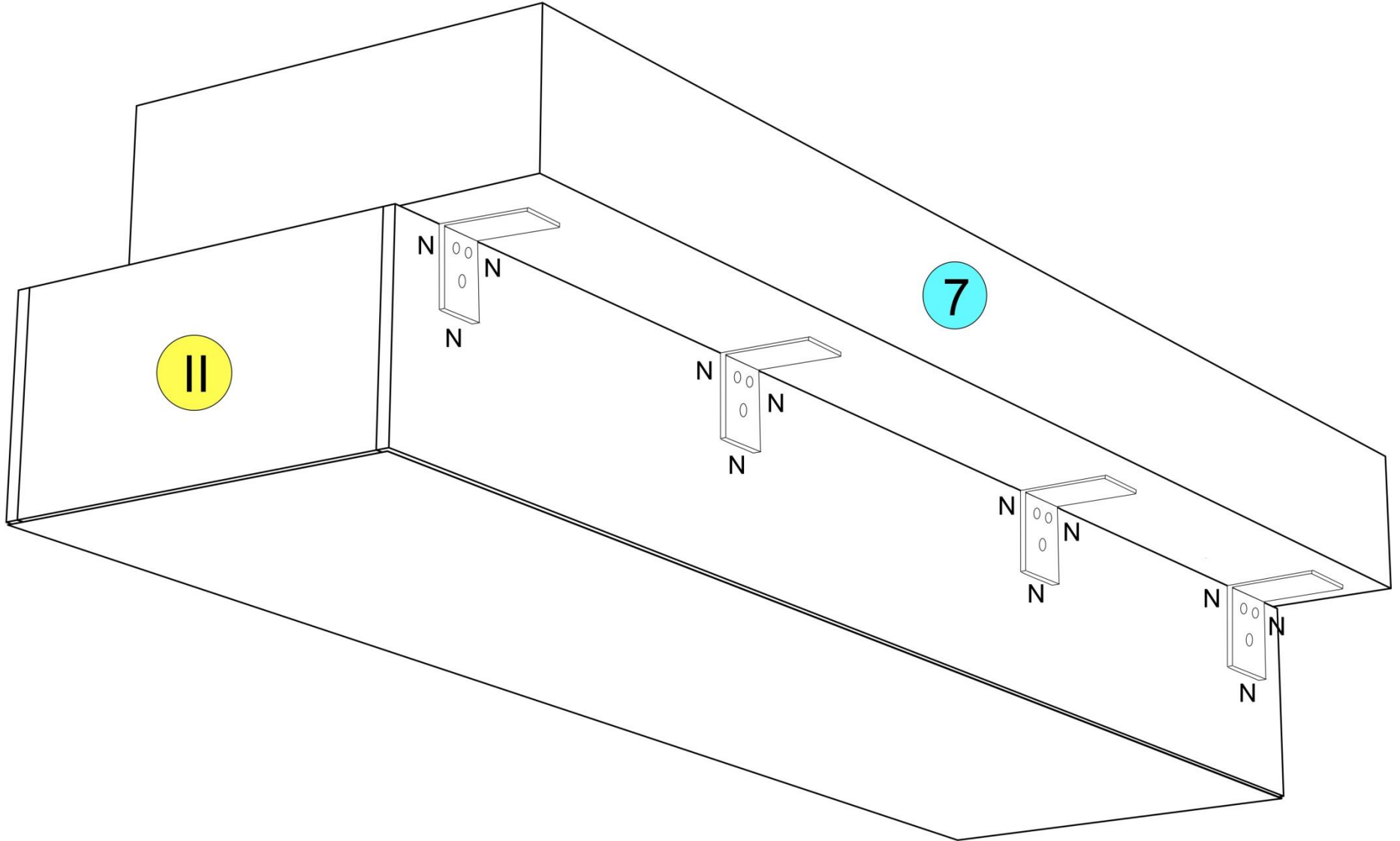


2



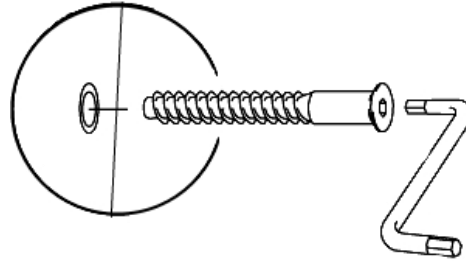
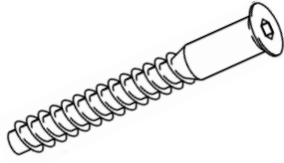


3

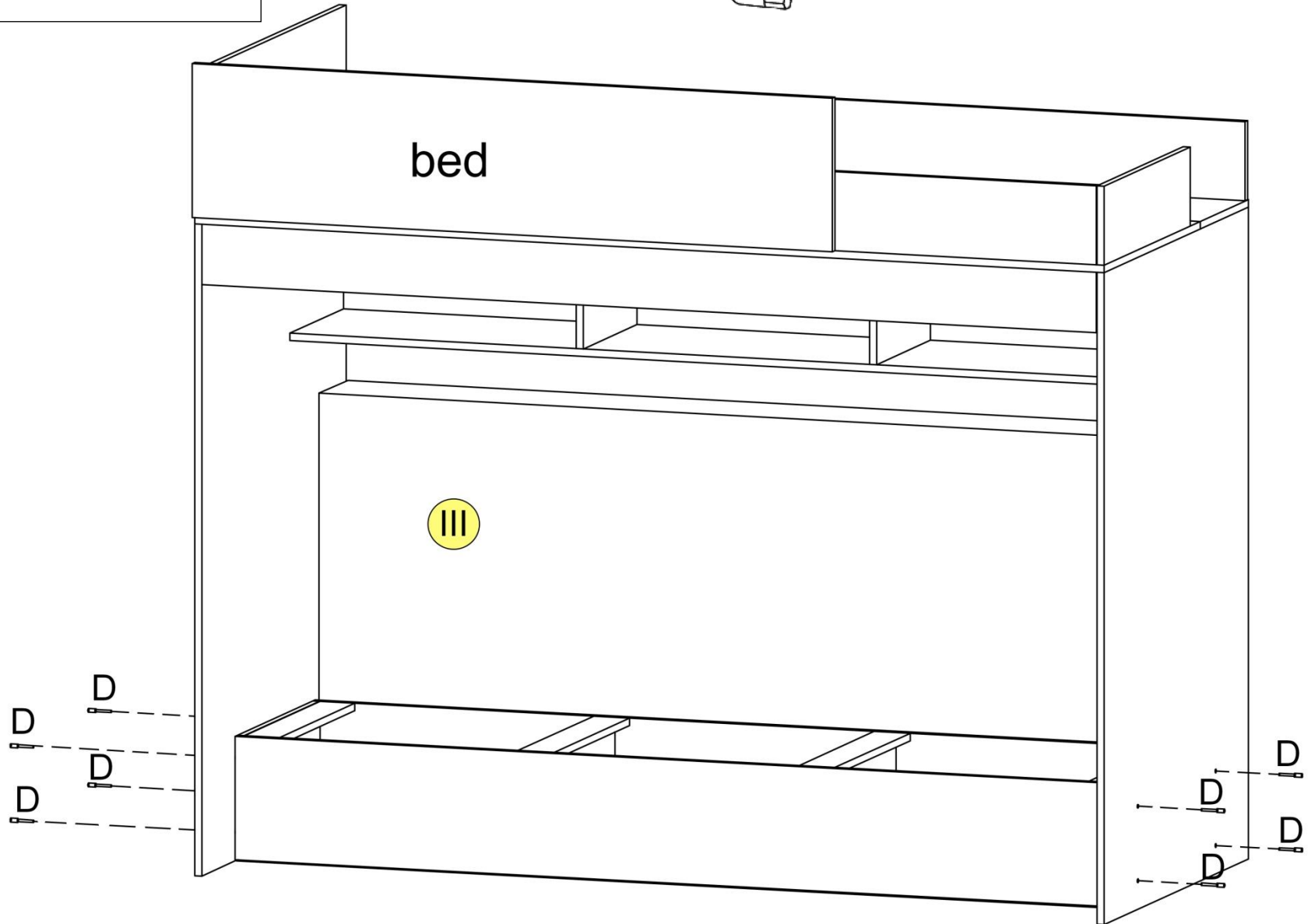


IV

D x 8



4



5

