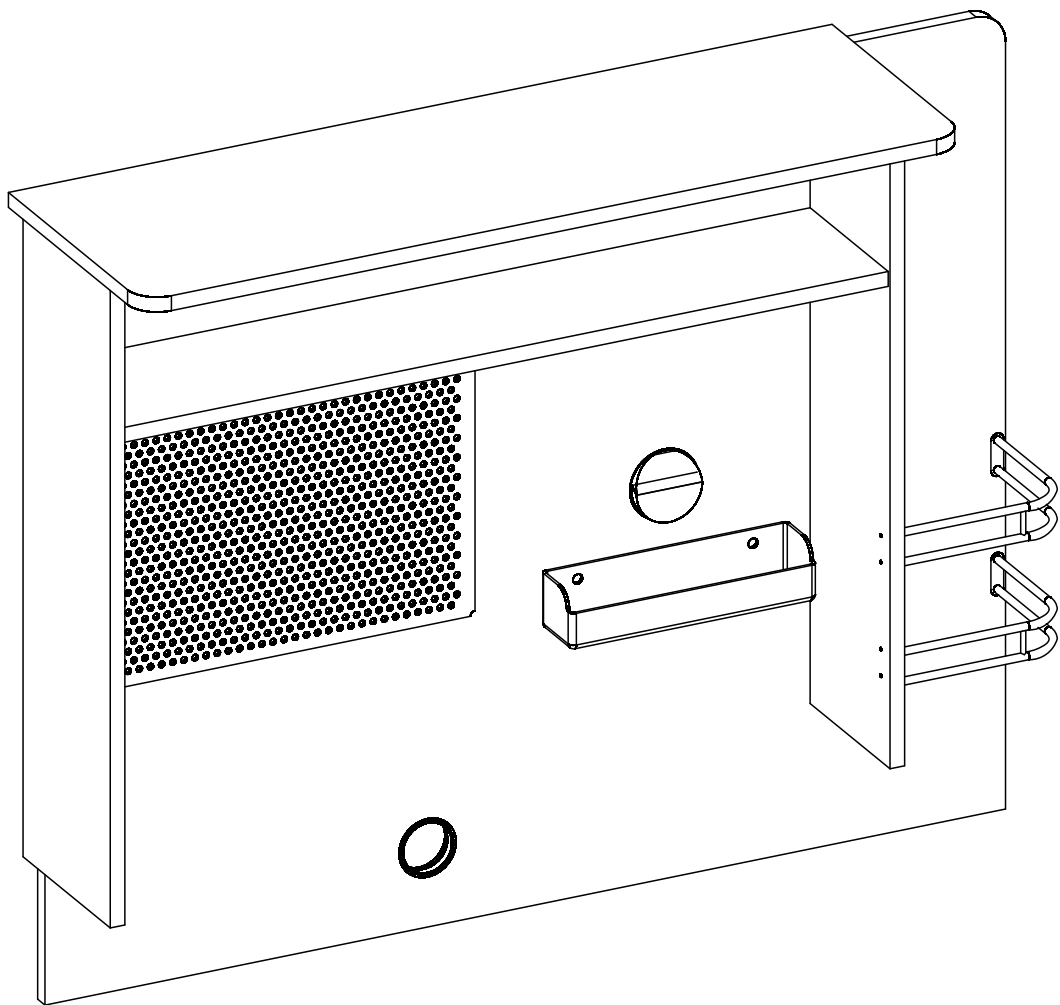
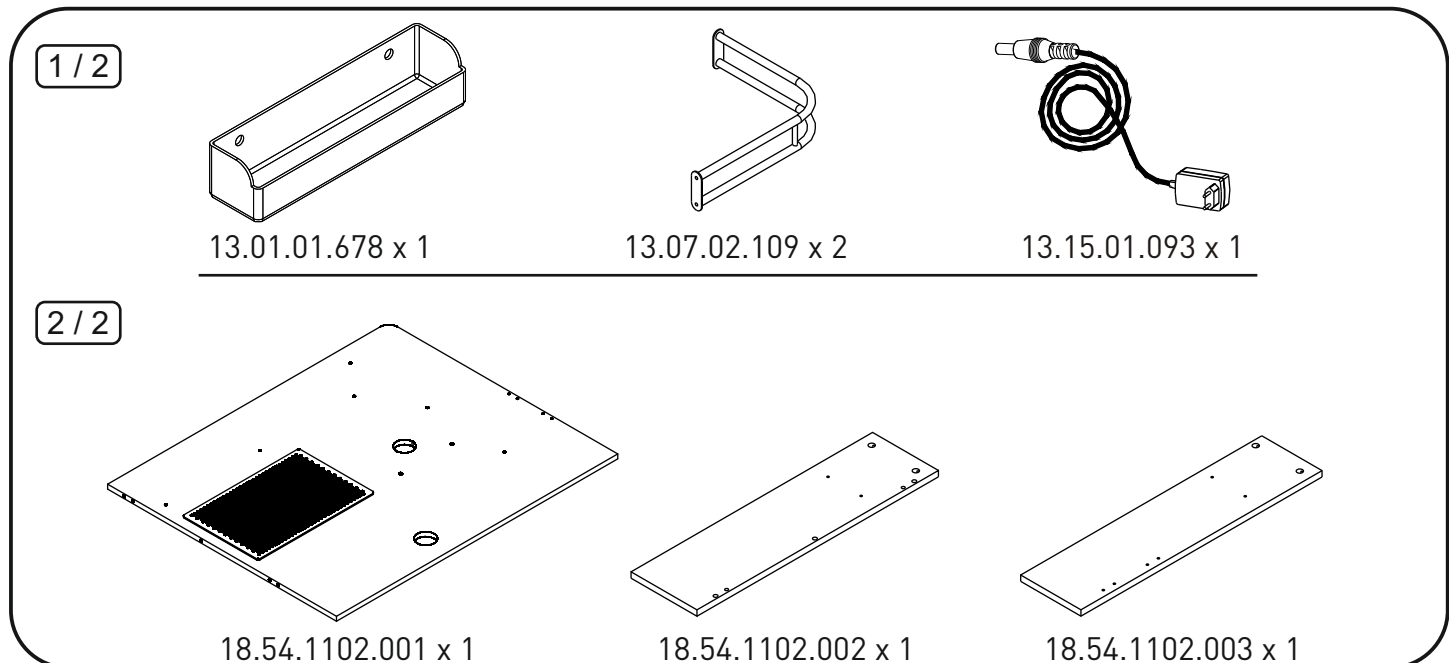
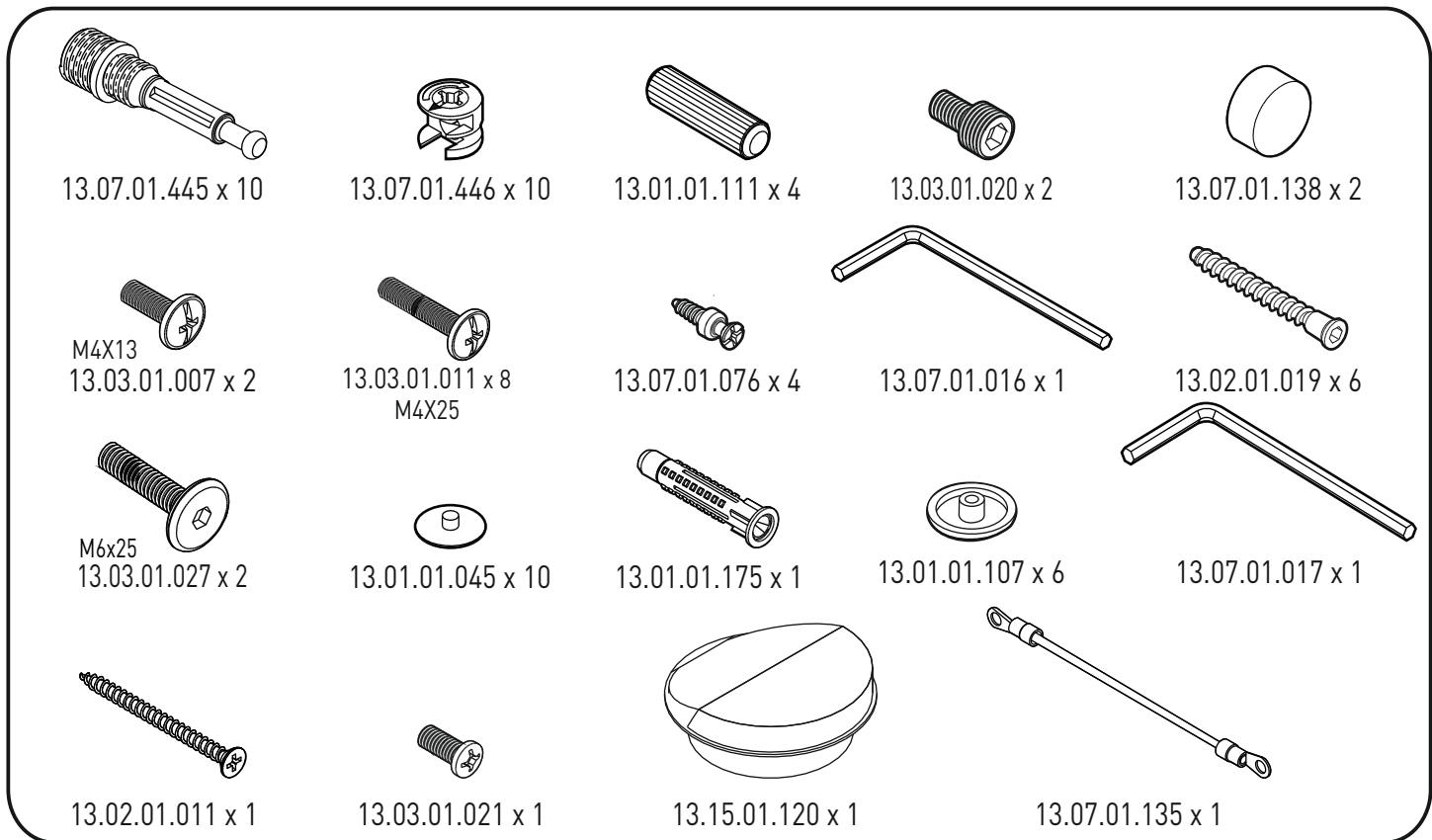
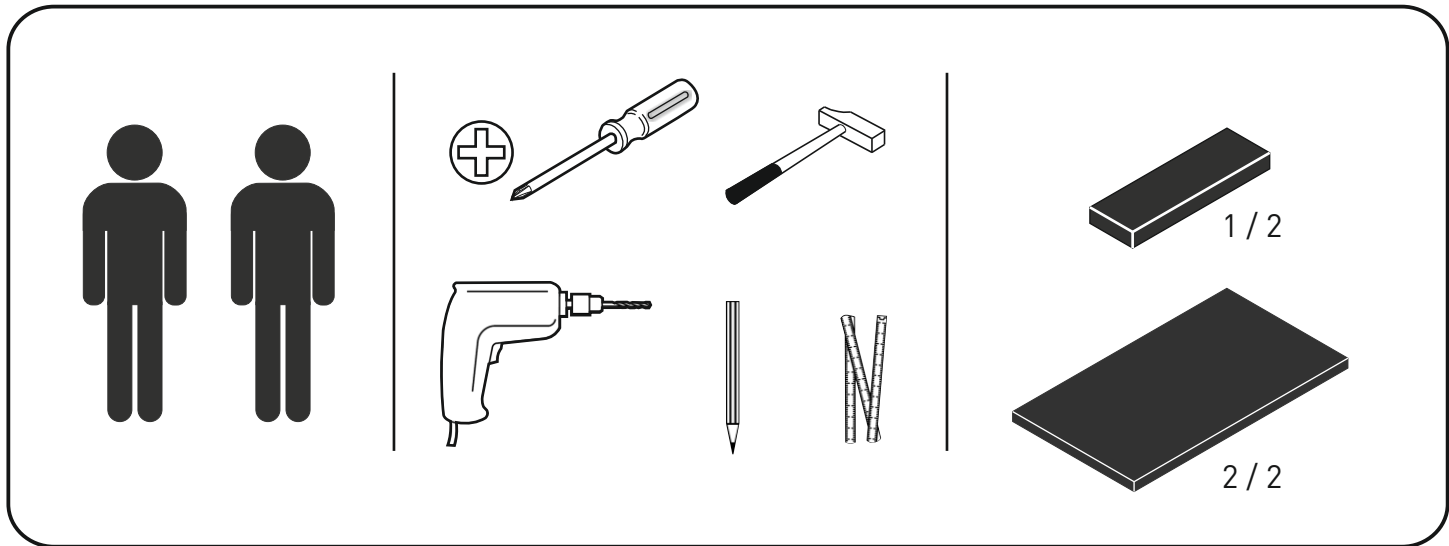
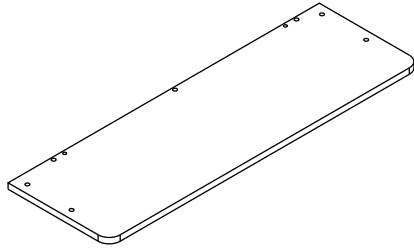


20.54.1102.00

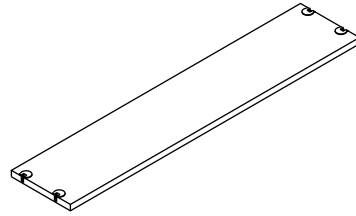




2/2

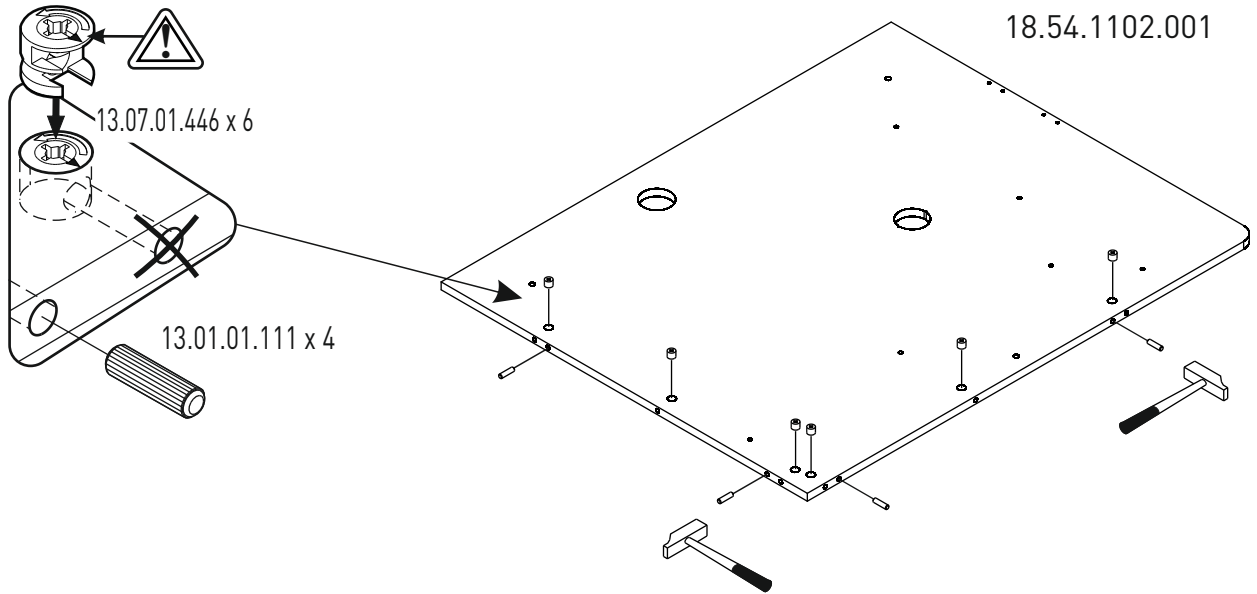


18.54.1102.004 x 1



18.54.1102.005 x 1

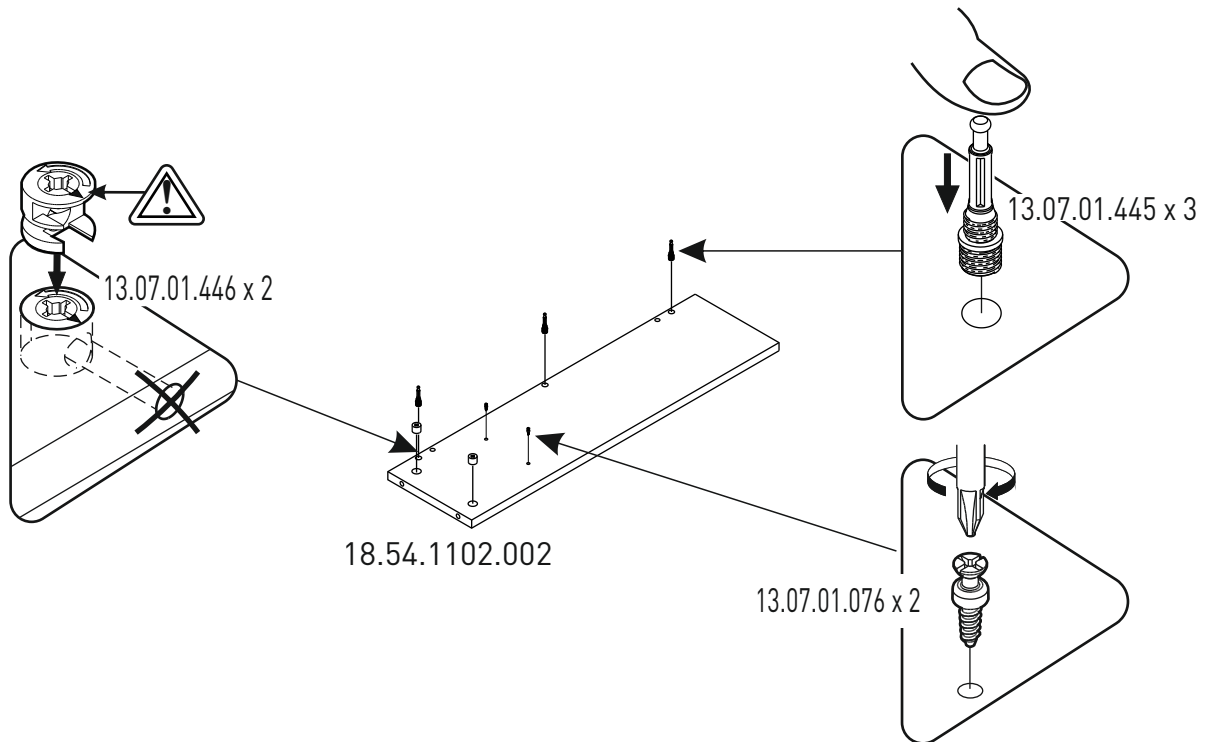
1



18.54.1102.001

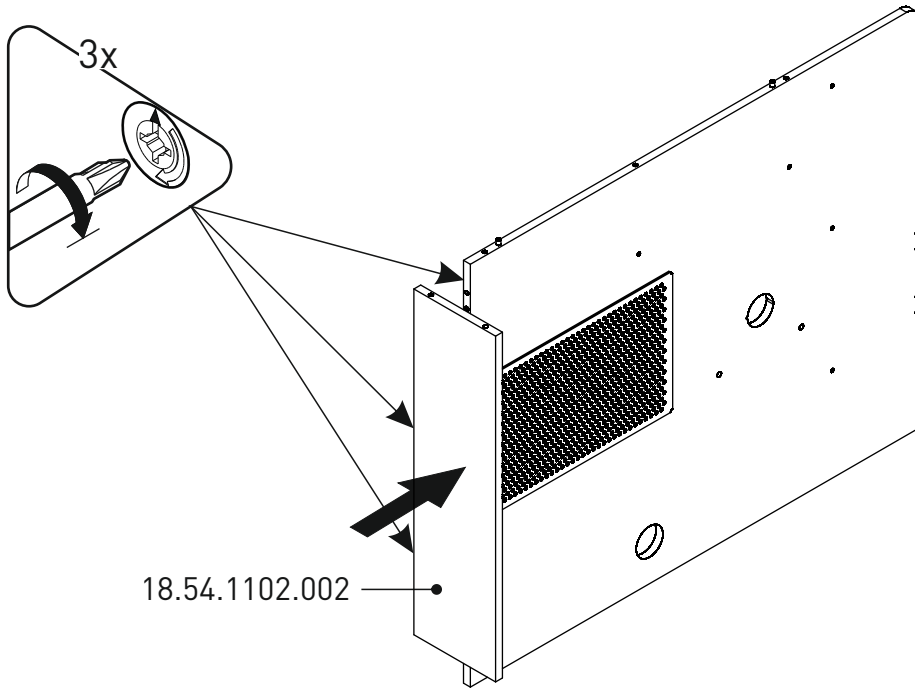


2

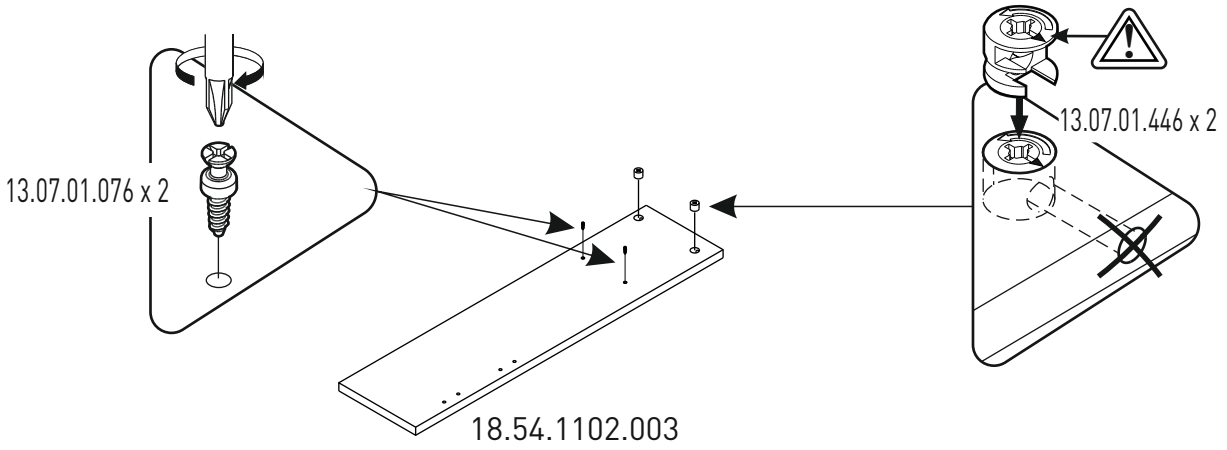


18.54.1102.002

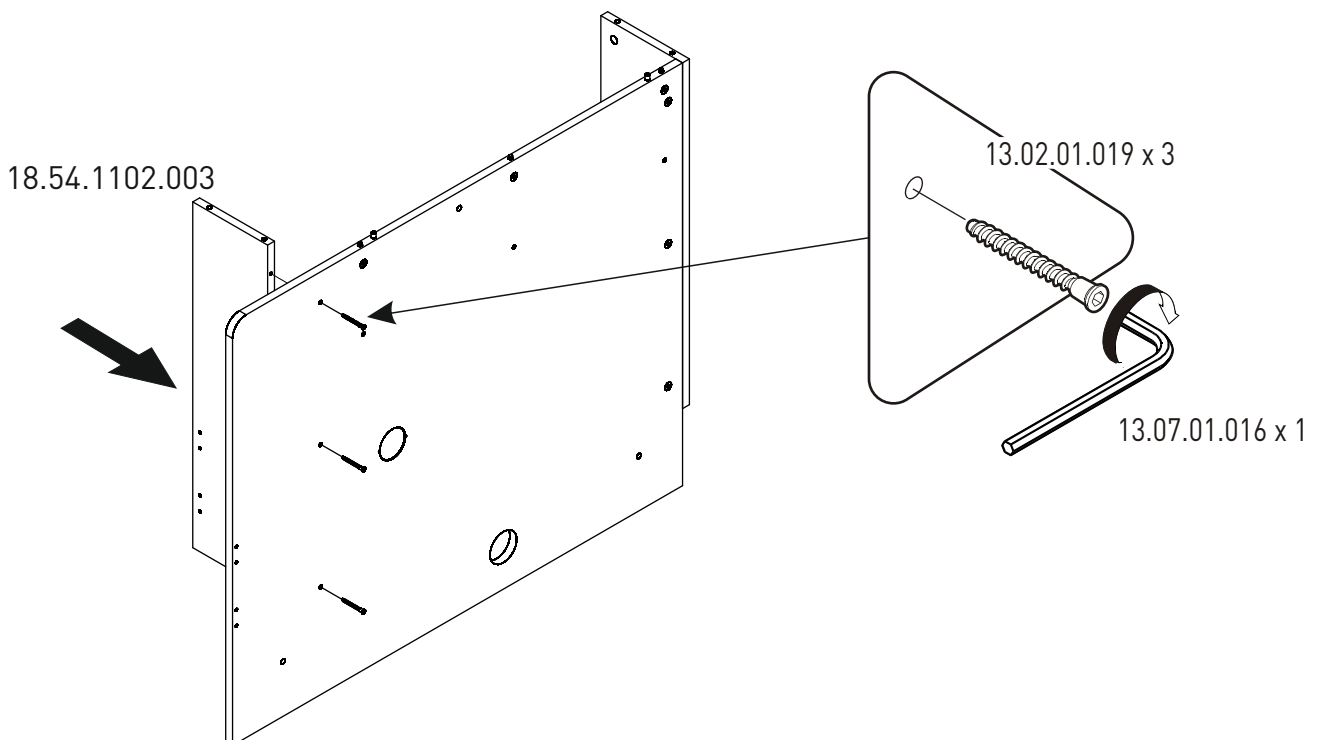
3



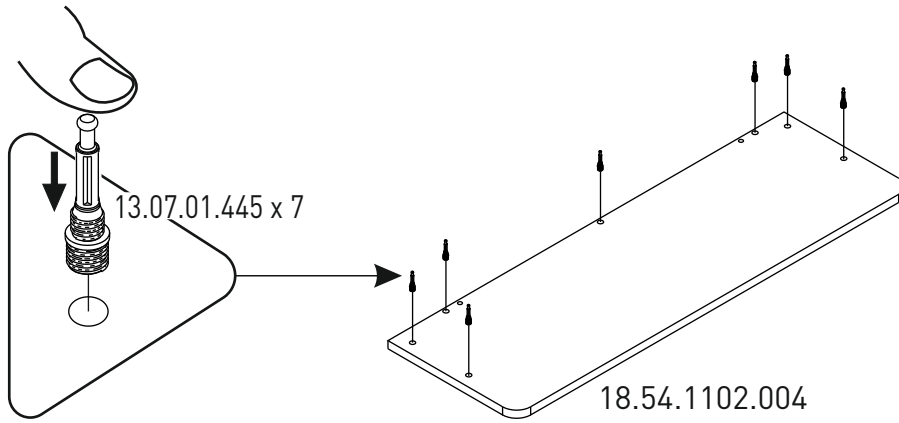
4



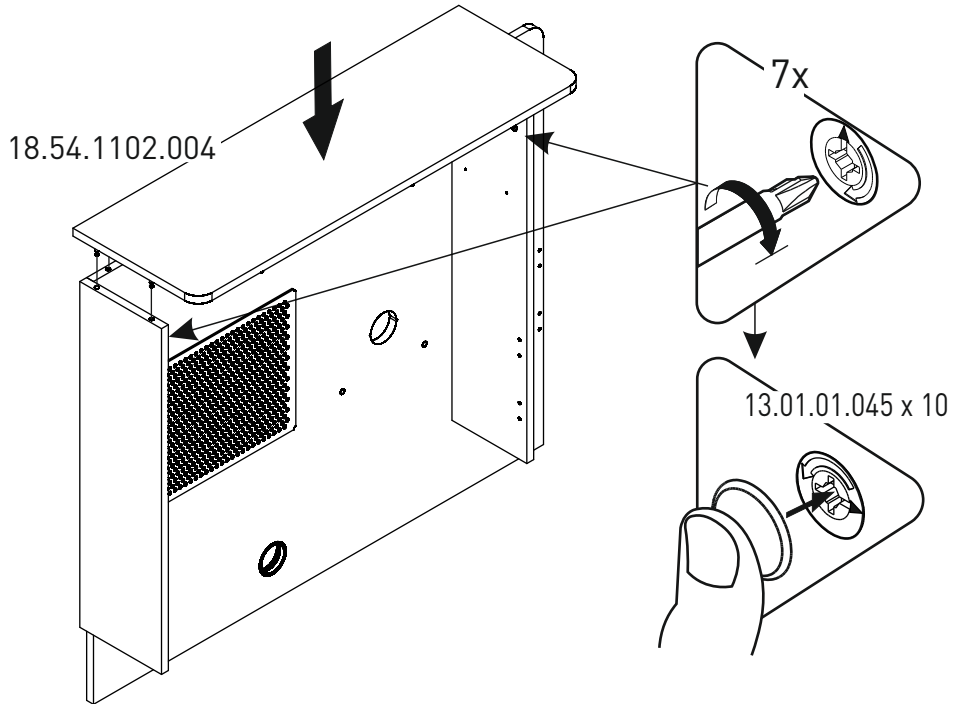
5



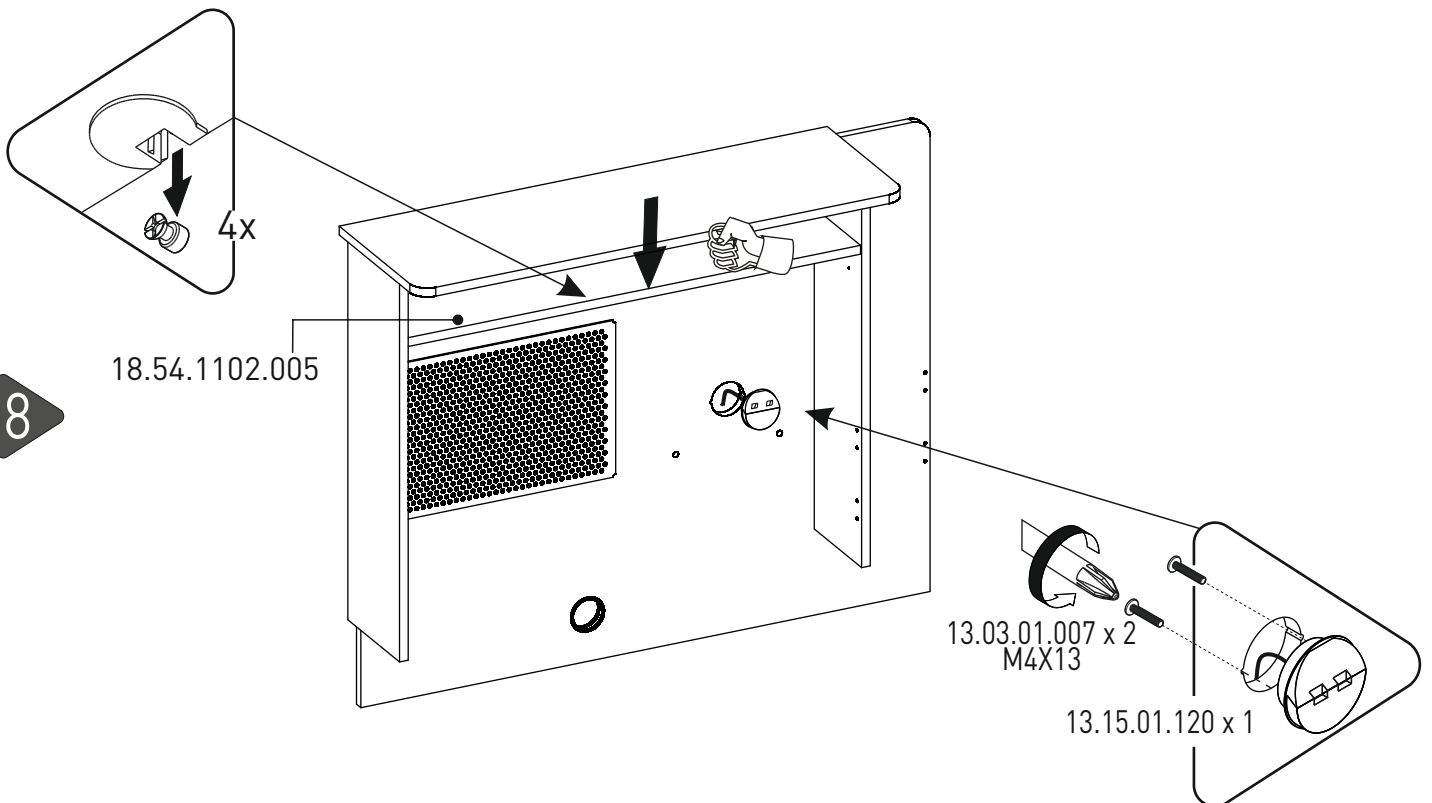
6



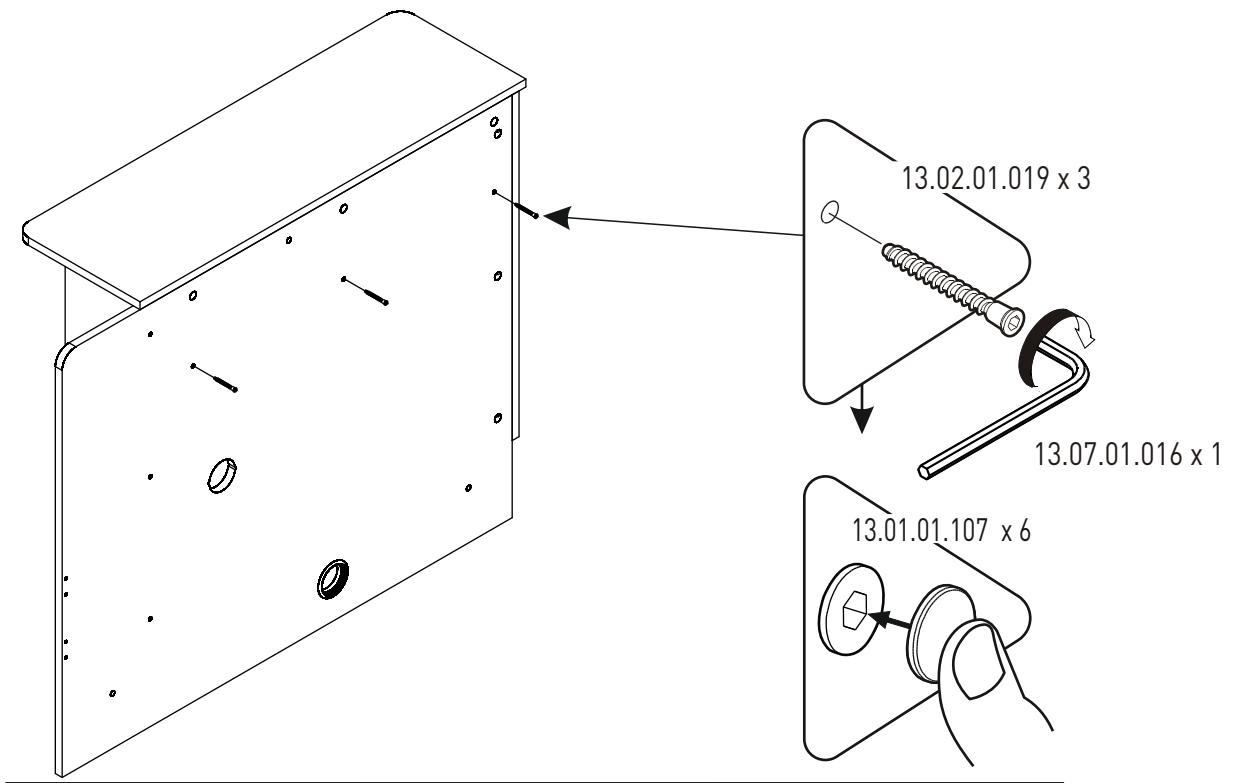
7



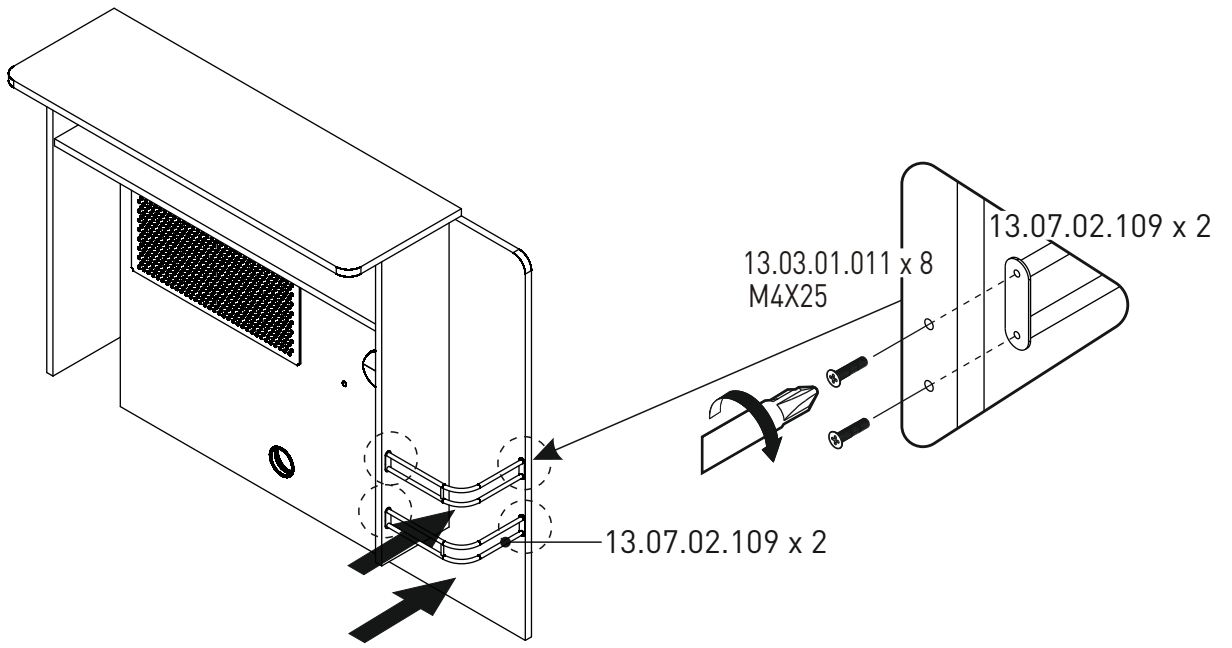
8



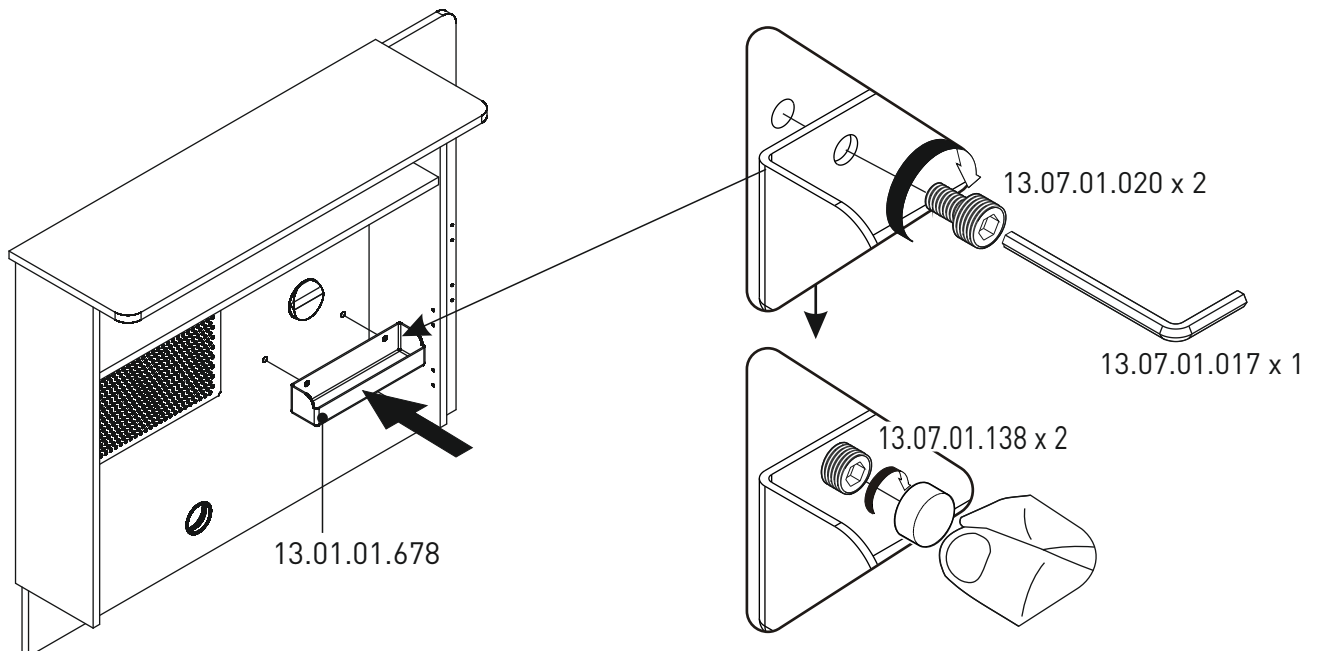
9



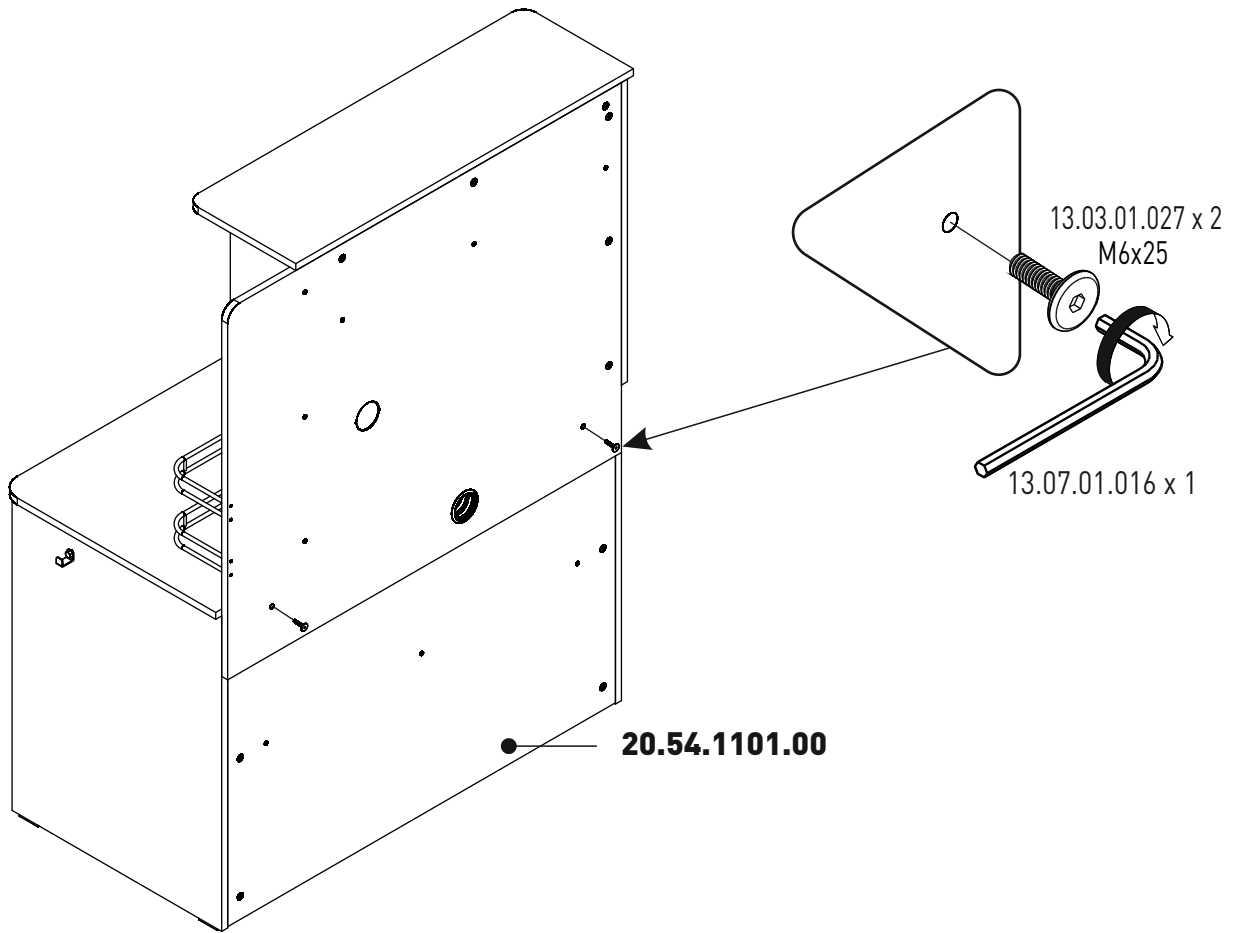
10



11



12



13

