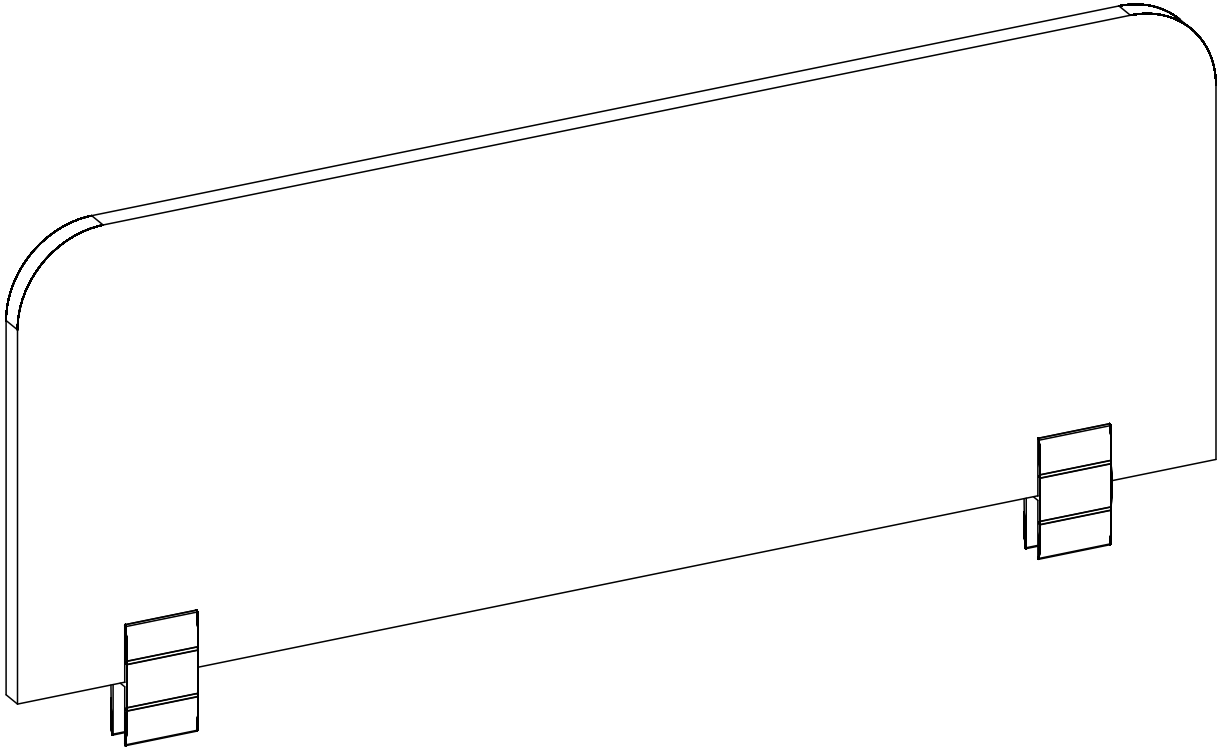
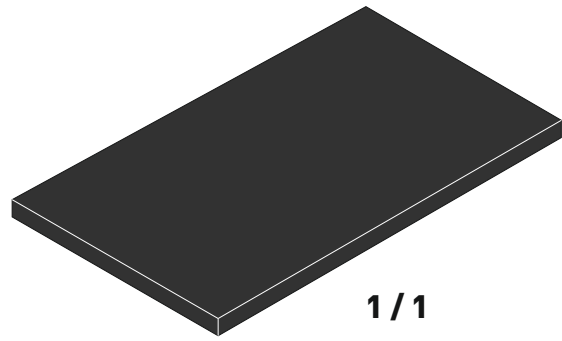
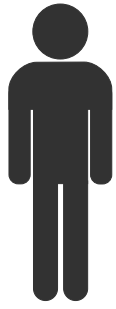


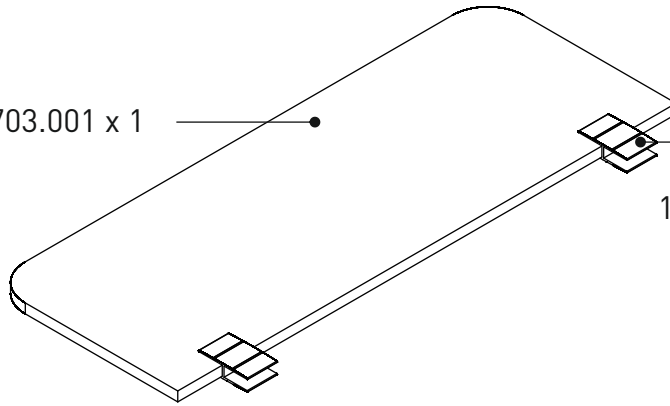
20.20.1703.00





1/1

18.20.1703.001 x 1



18.20.1703.201

18.20.1703.001 x 1

20.20.1311.00

1

