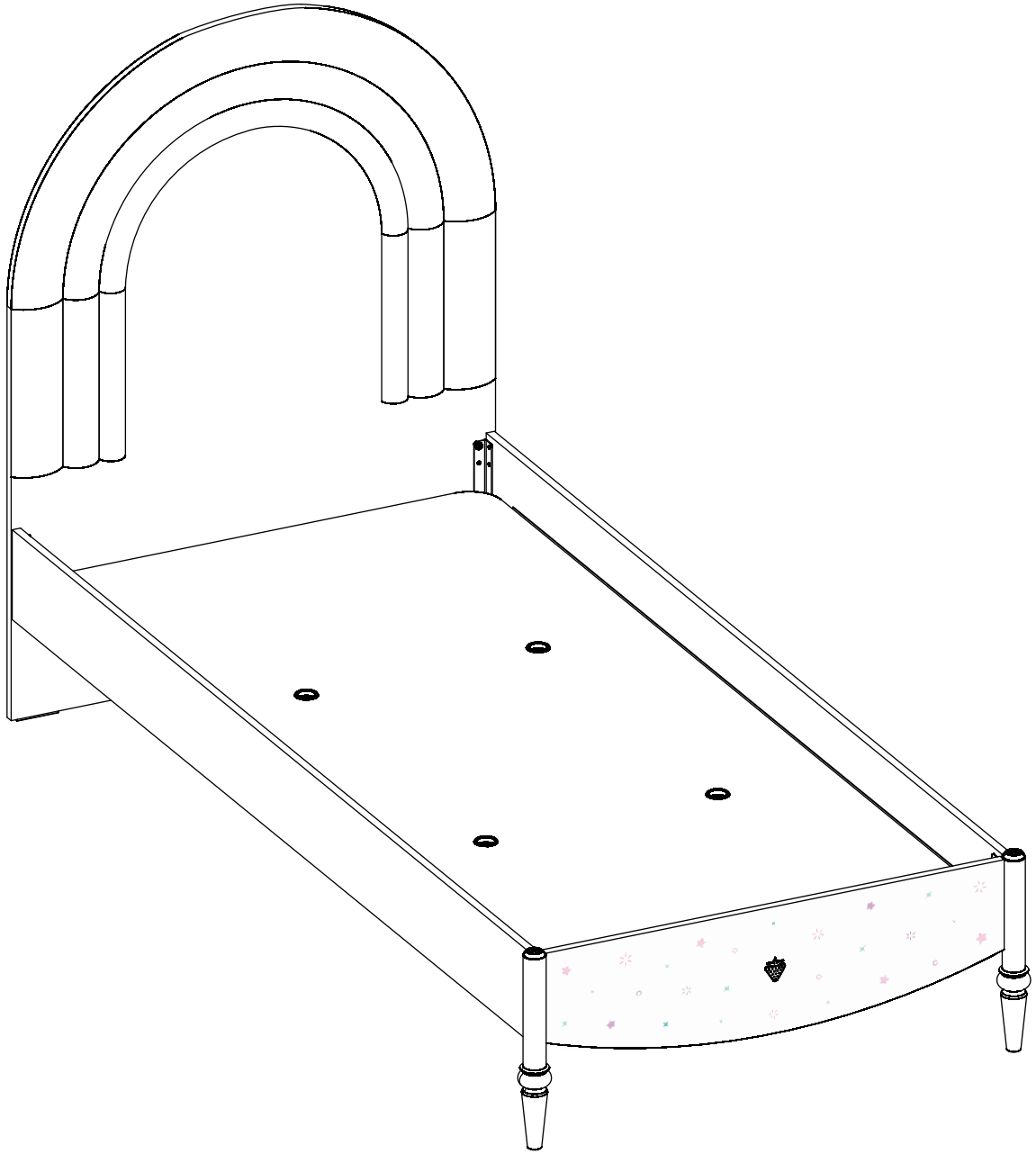
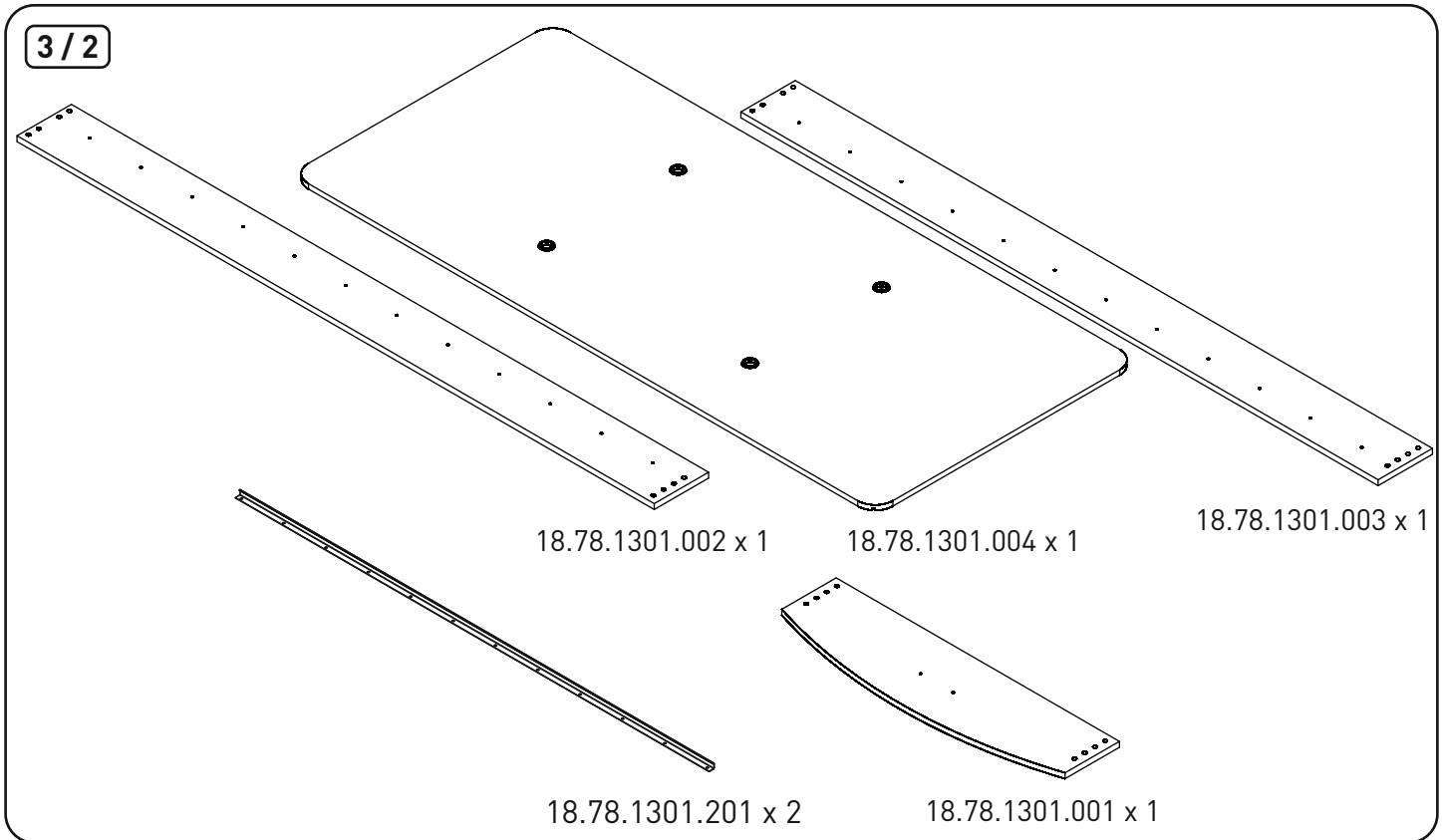
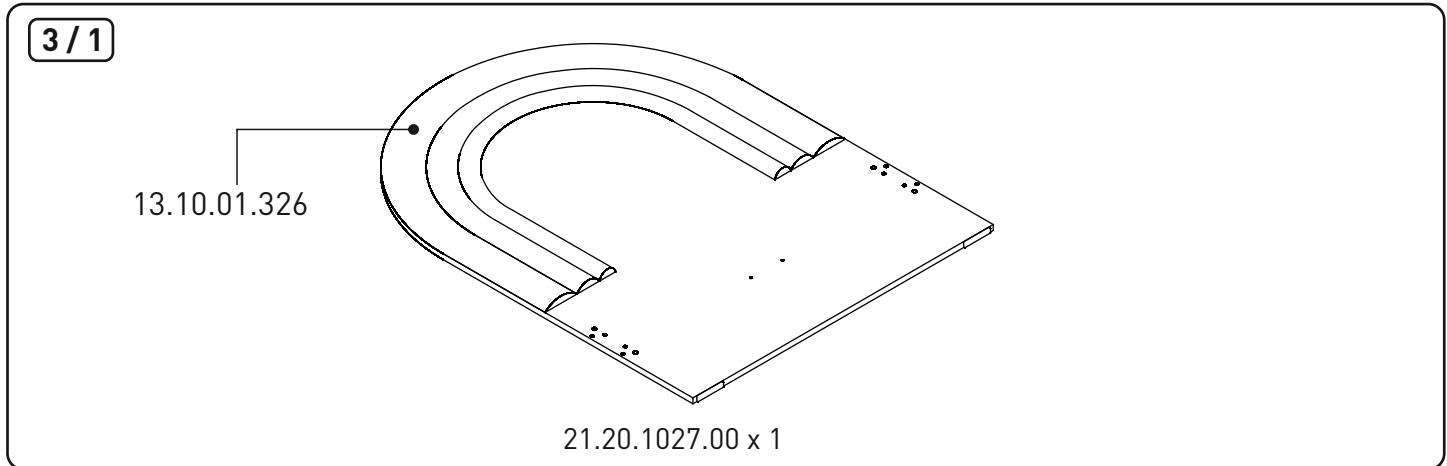
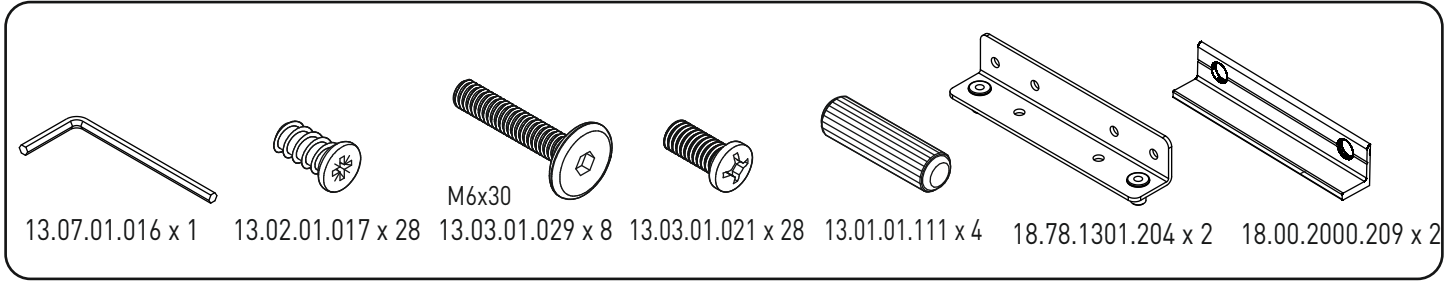
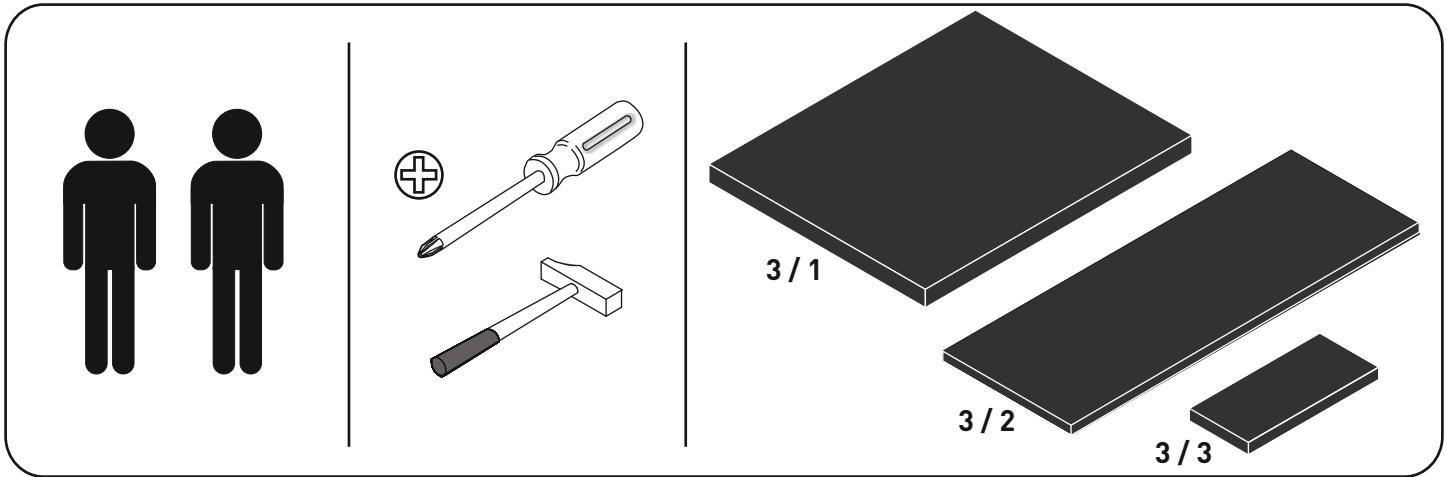
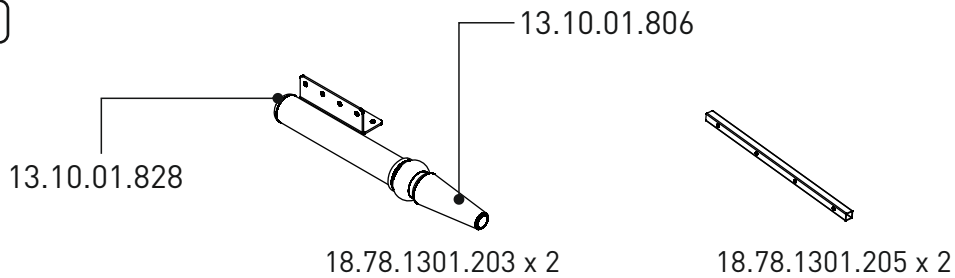


20.78.1301.00

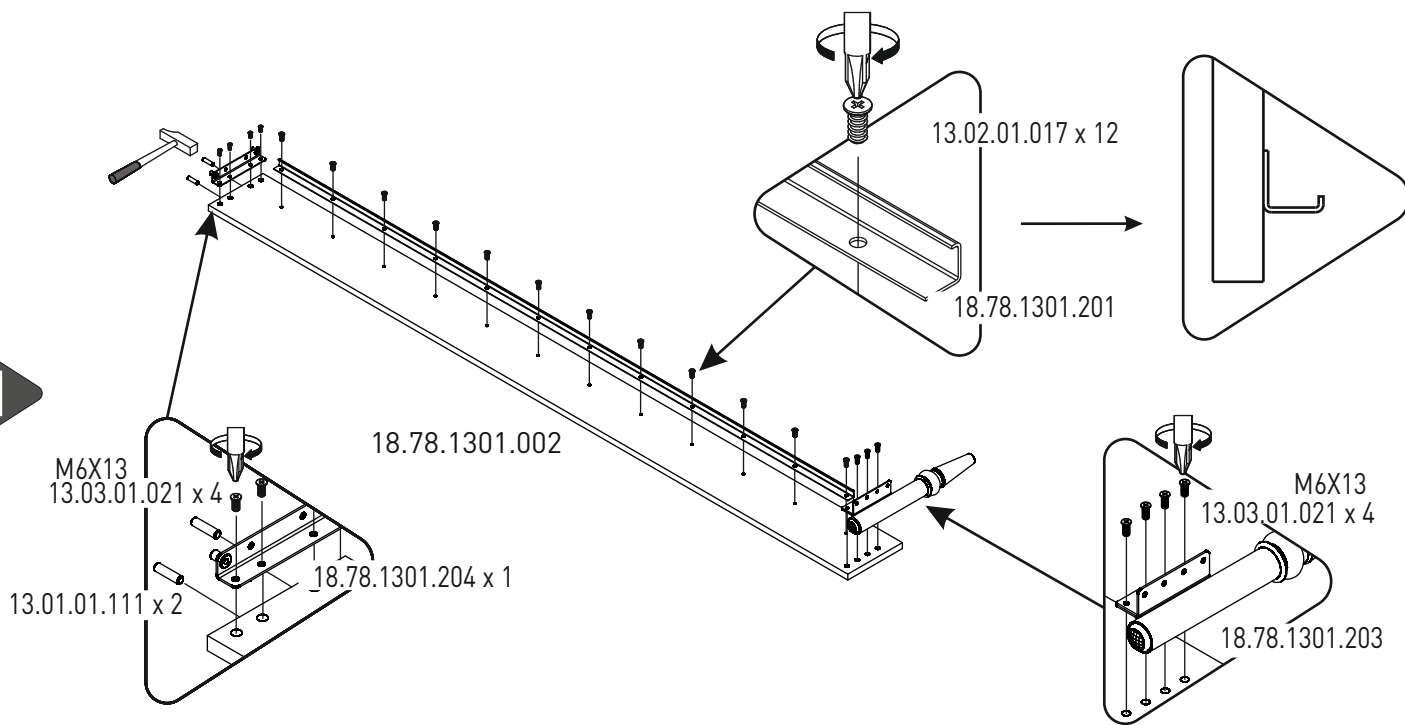




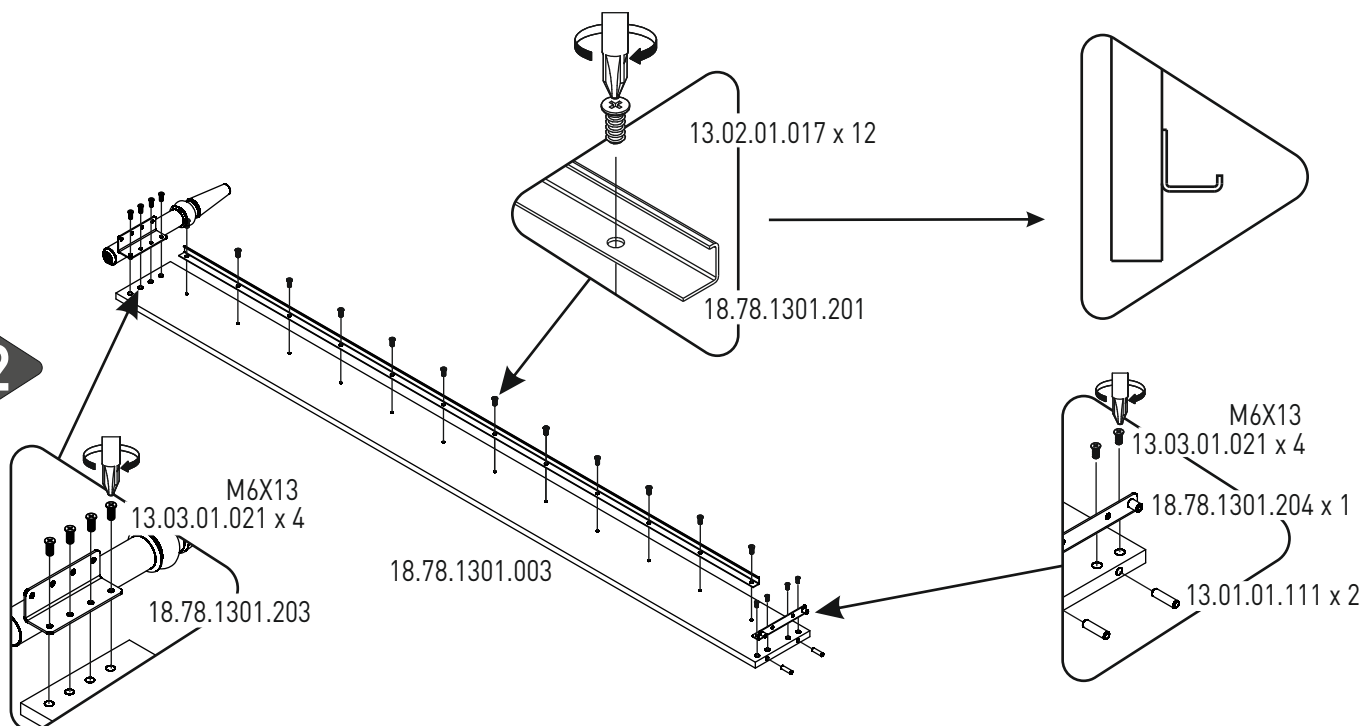
3 / 3



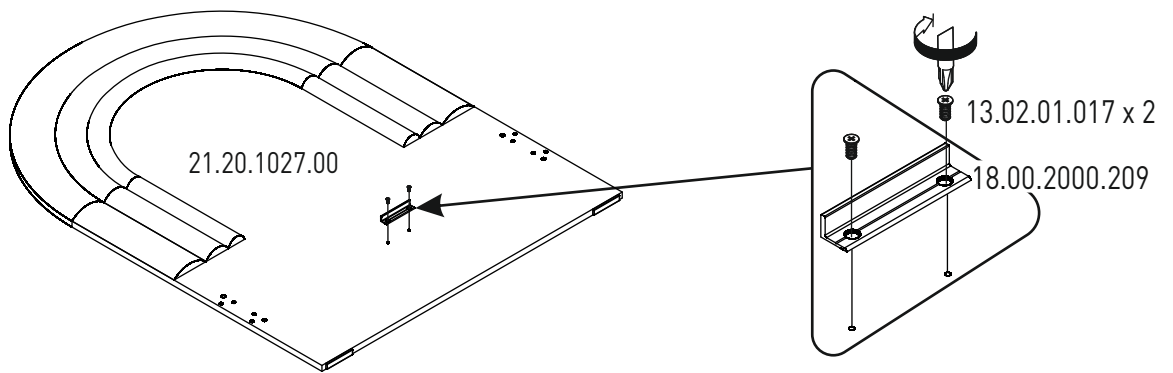
1



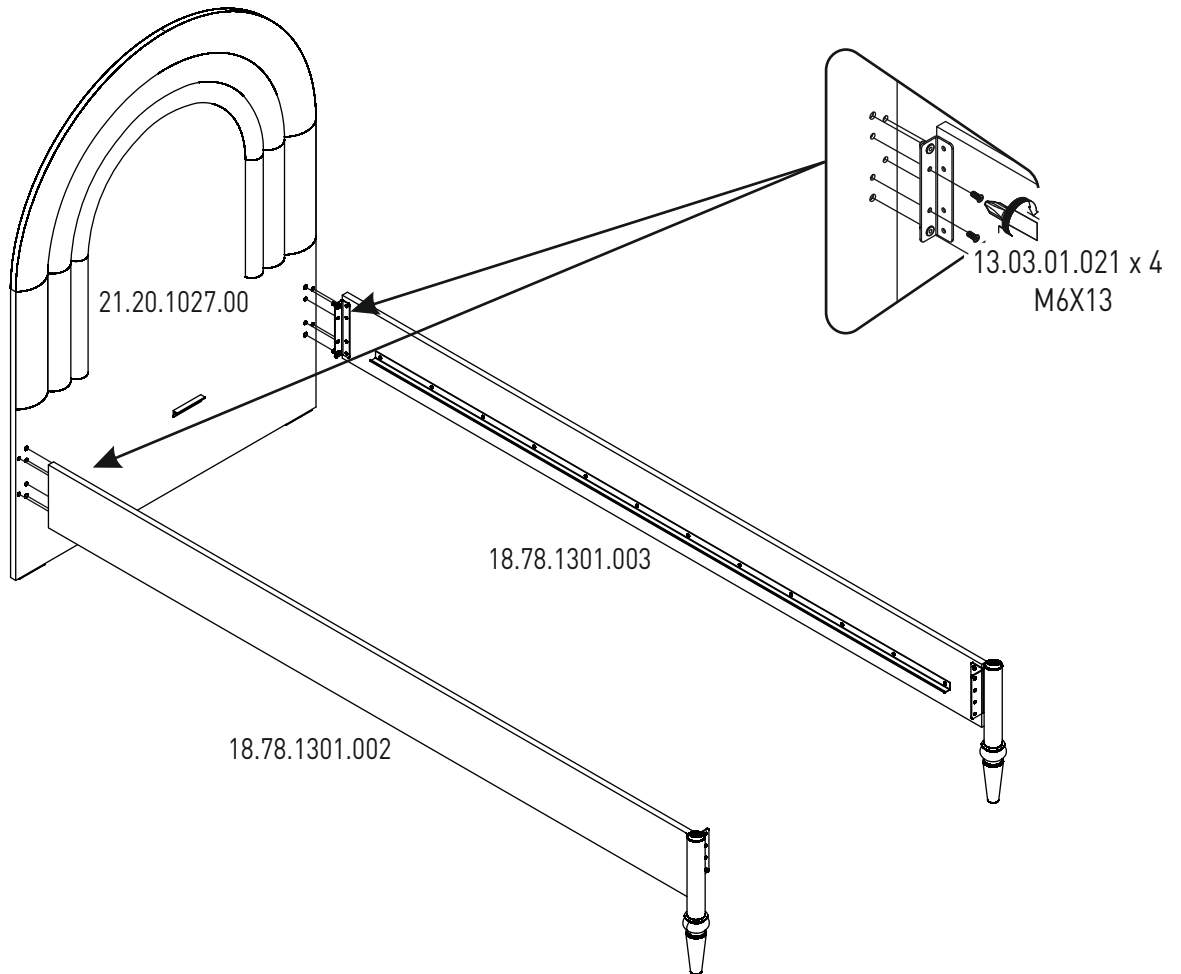
2



4



5



6

