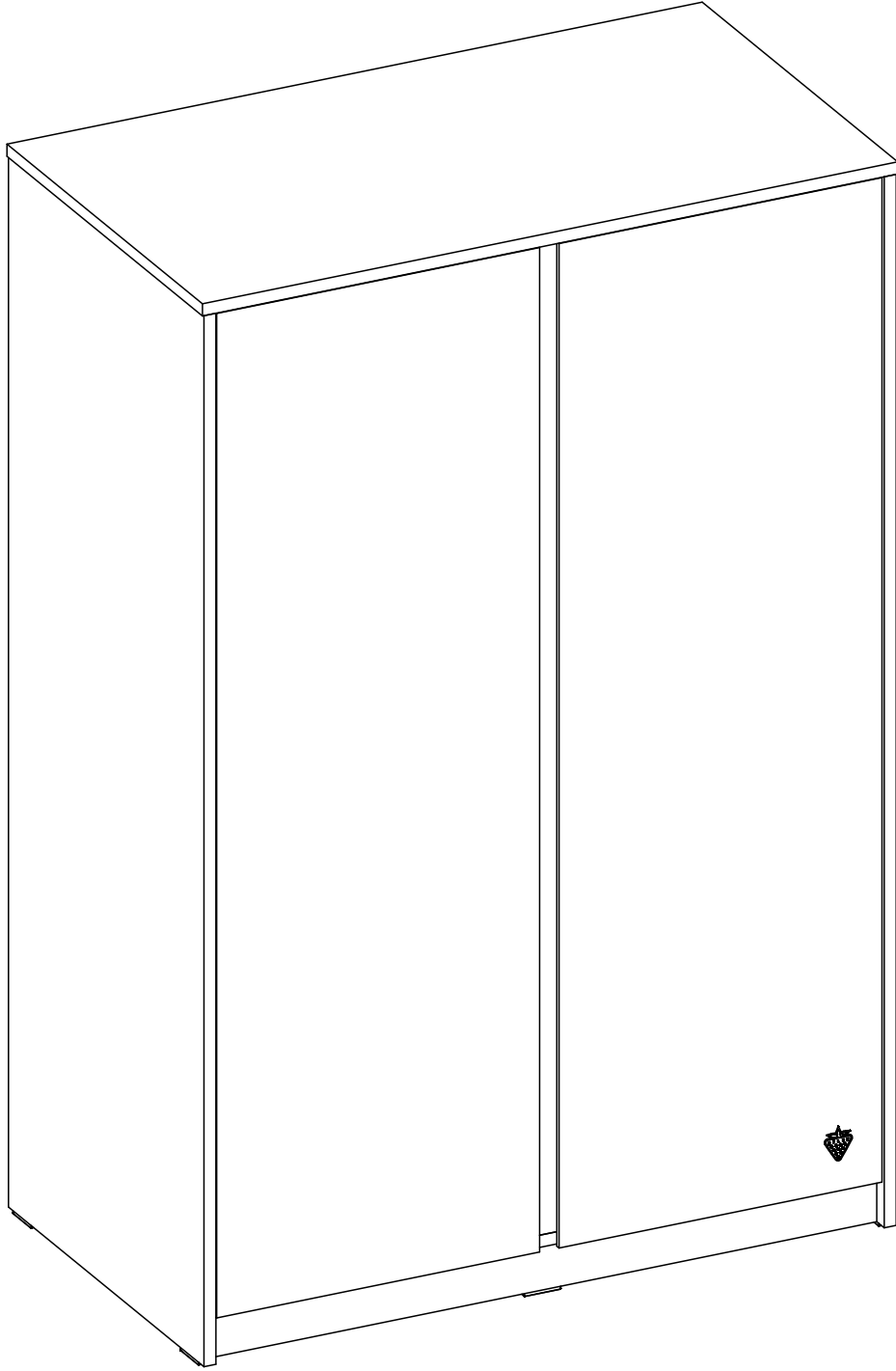
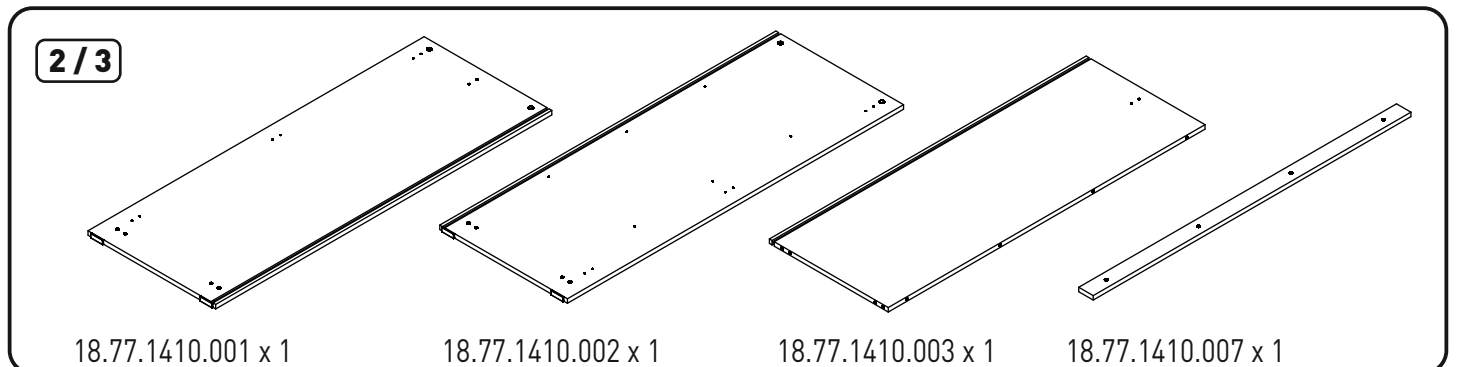
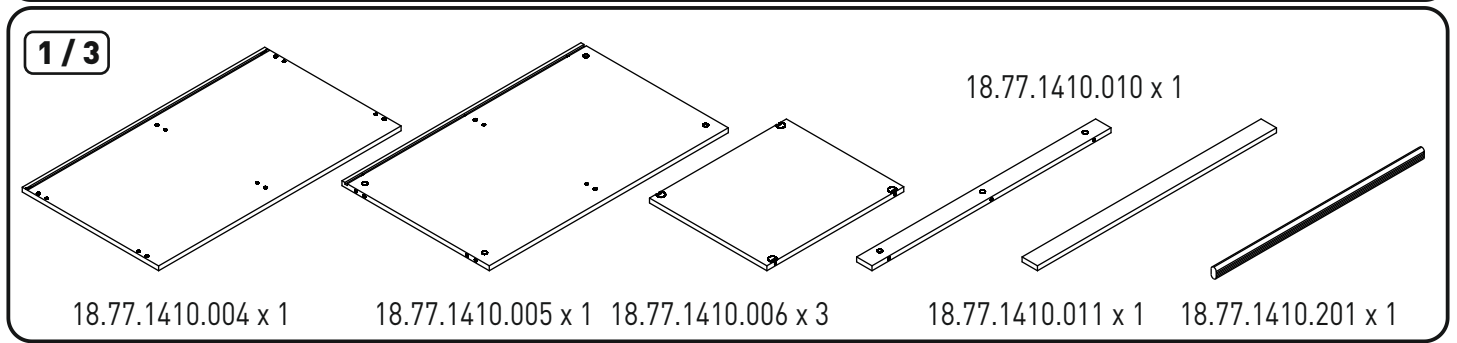
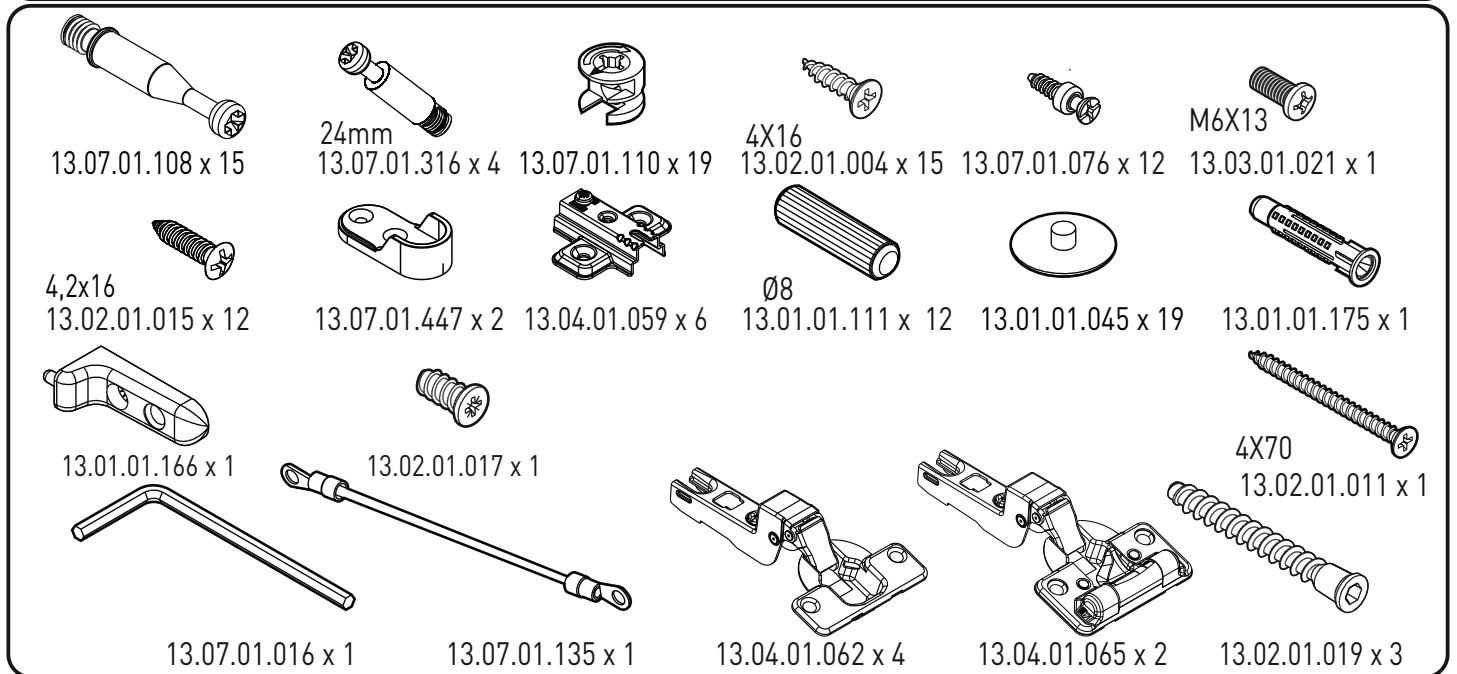
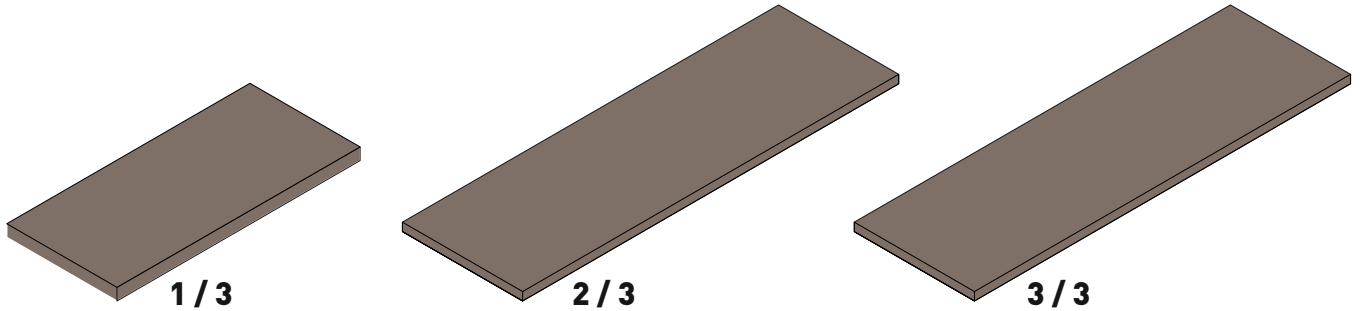
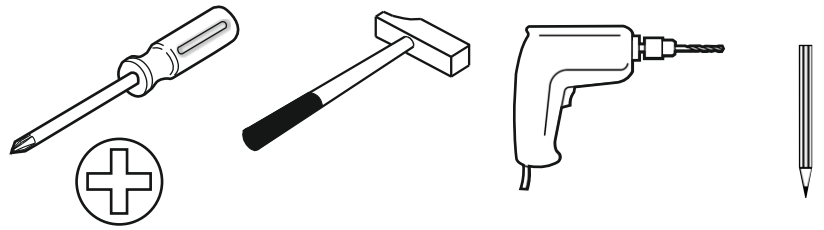
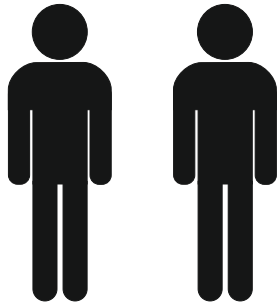
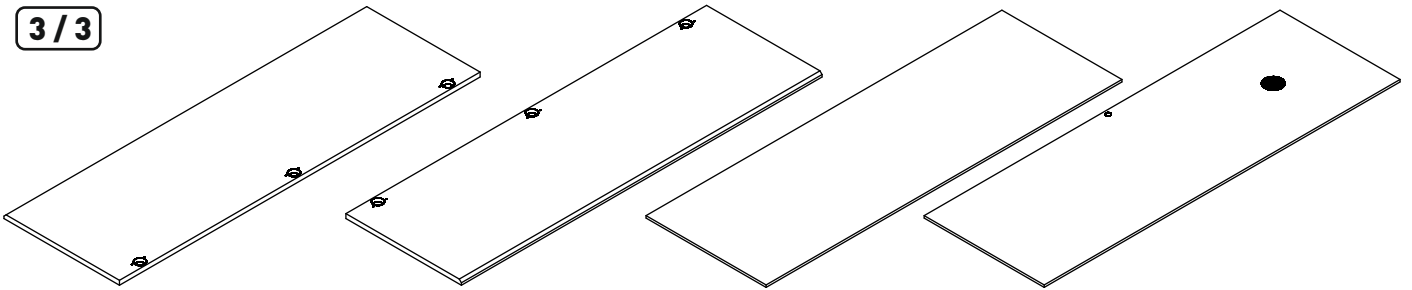


20.77.1410.00





3/3

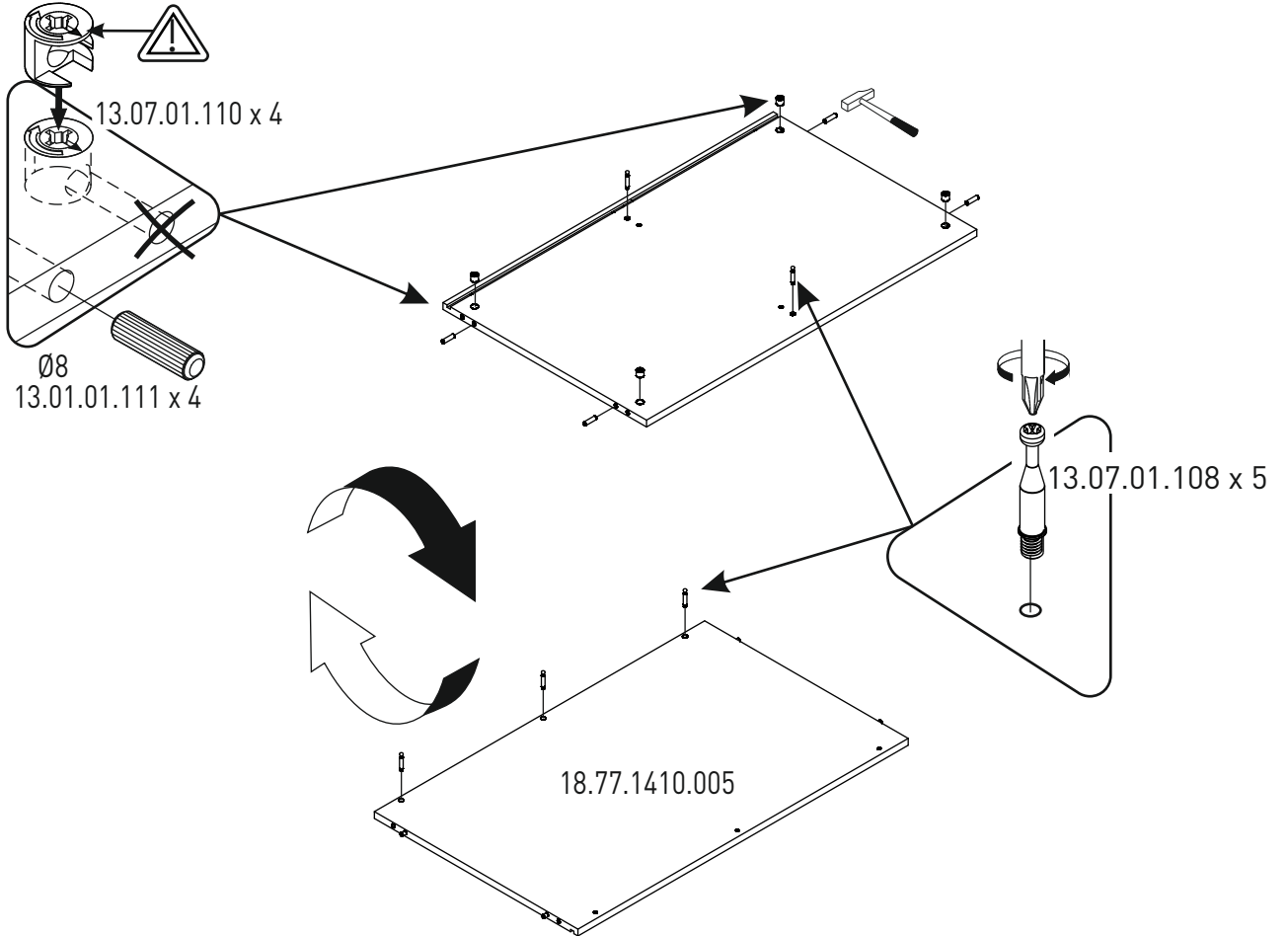


18.77.1410.008 x 1

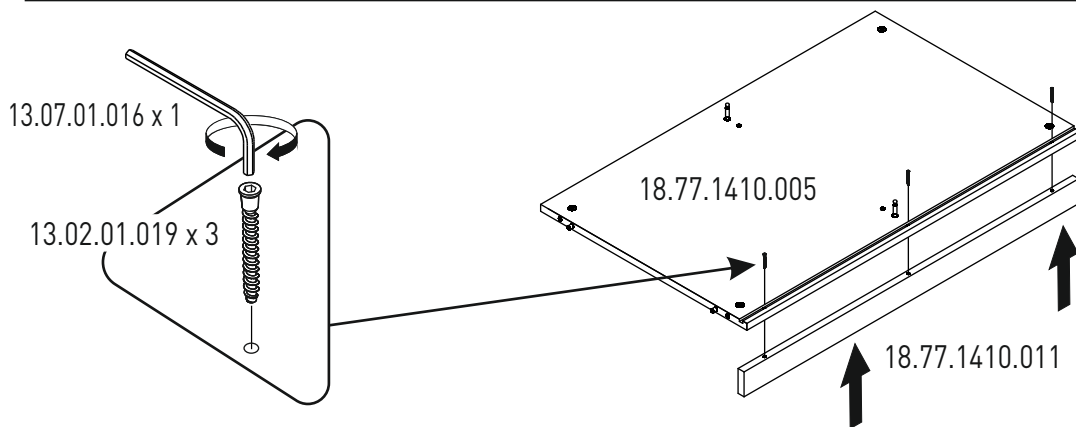
18.77.1410.009 x 1

18.77.1410.012 x 1

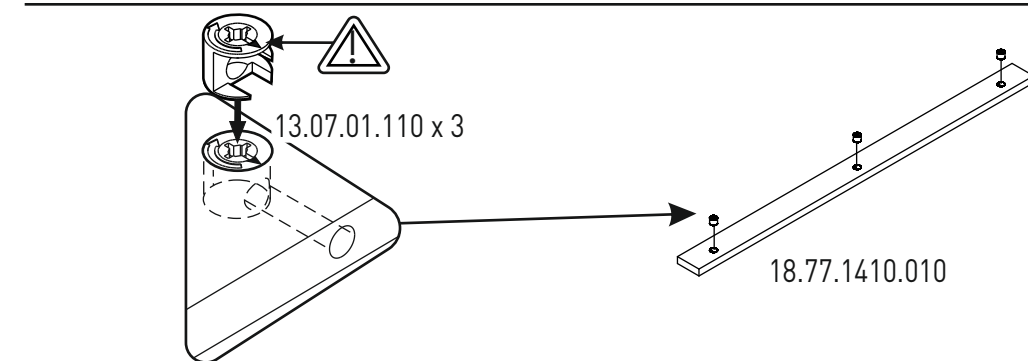
18.77.1410.013 x 1



1

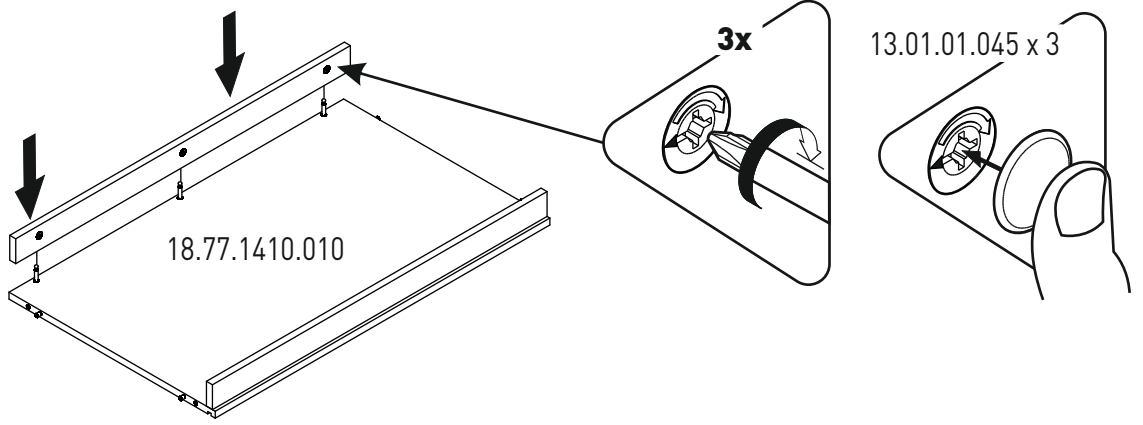


2

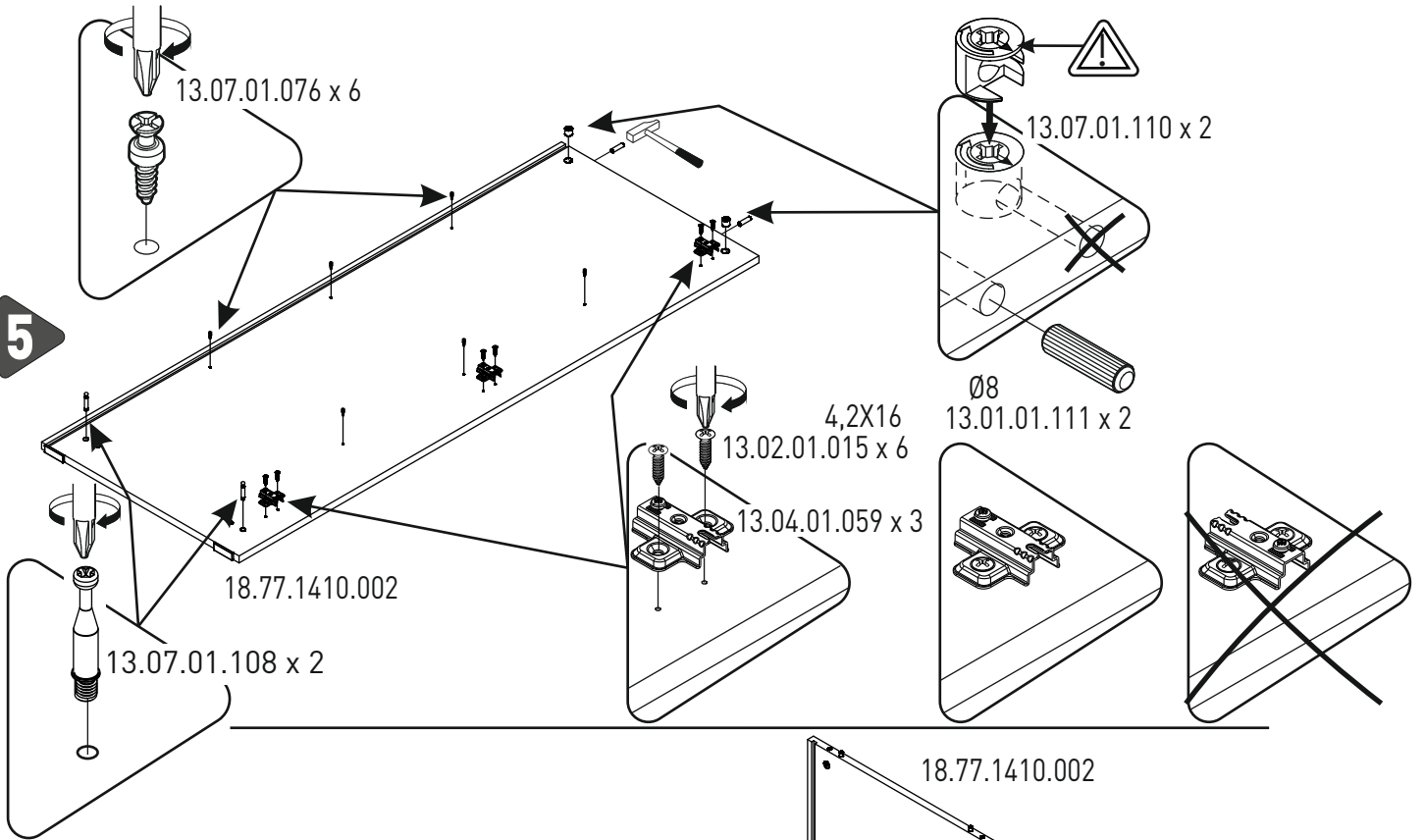


3

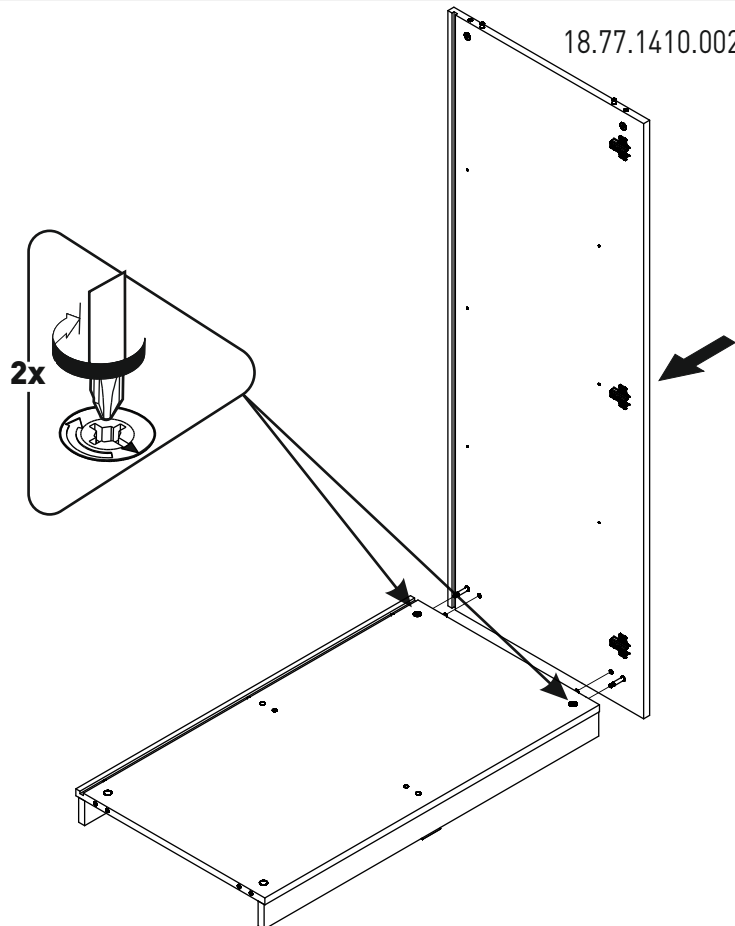
4



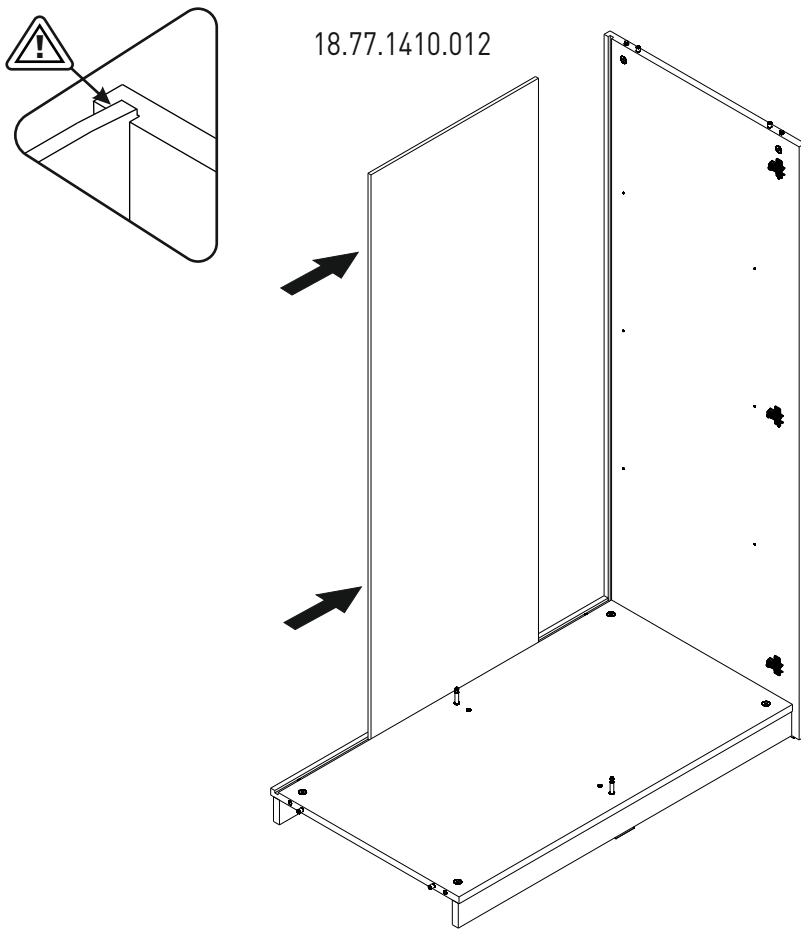
5



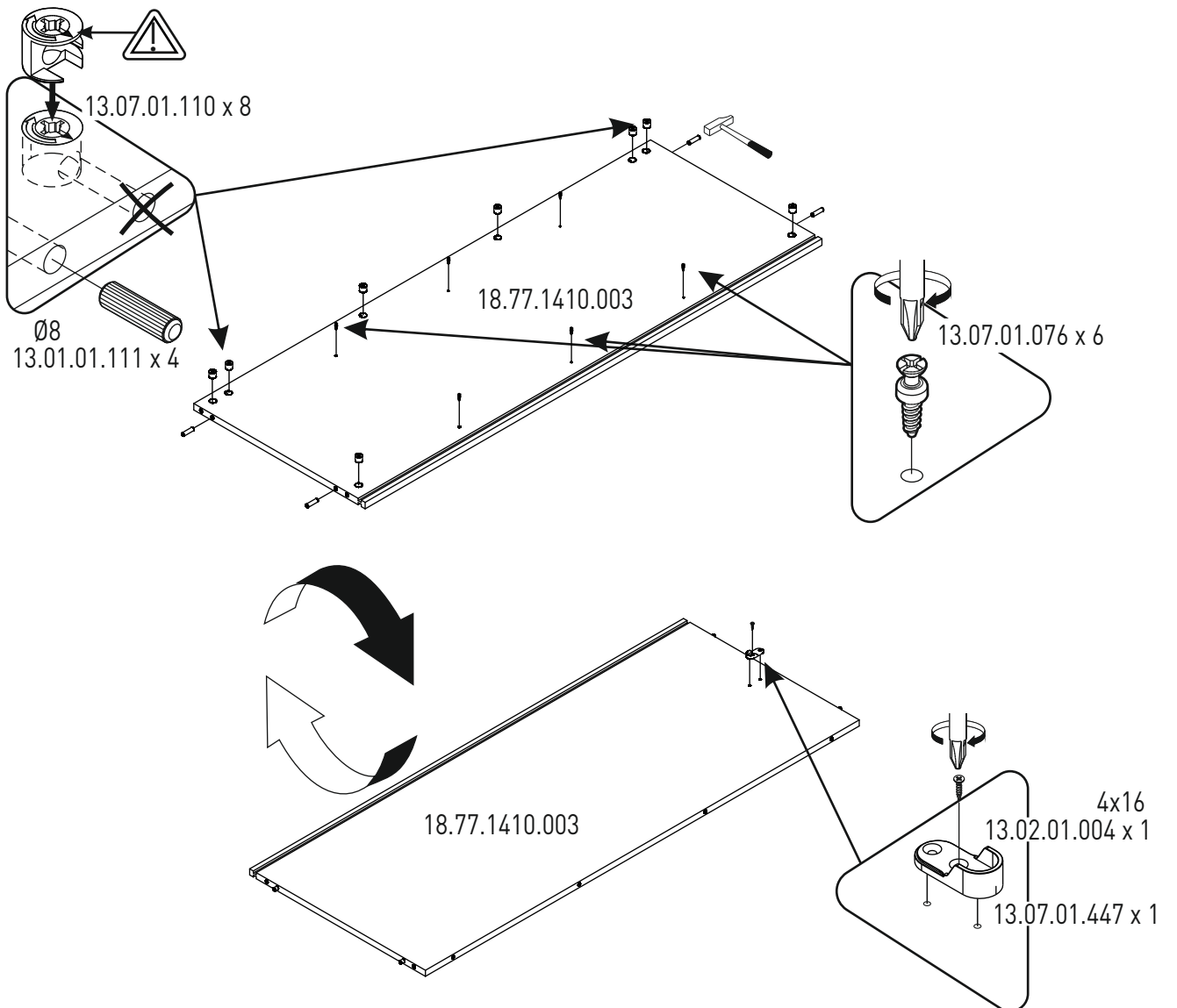
6



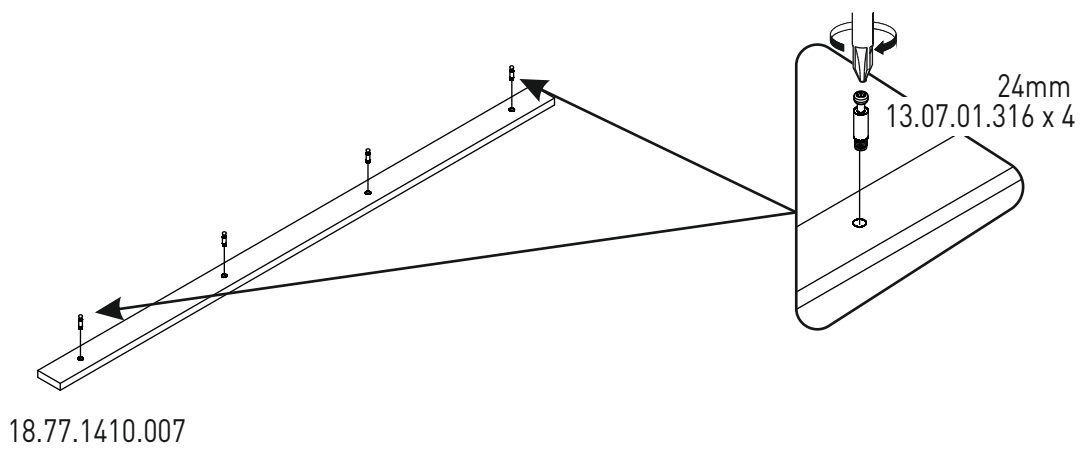
7



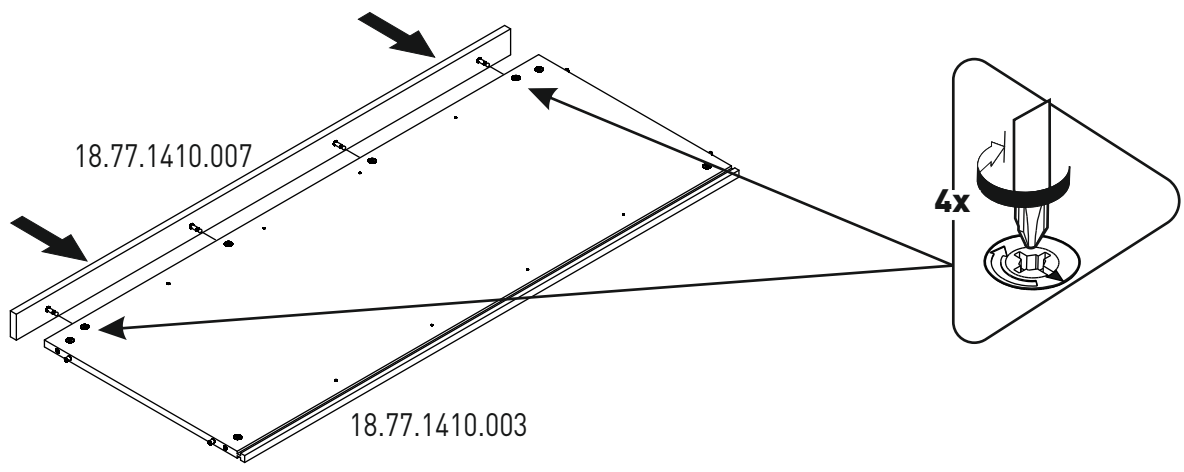
8



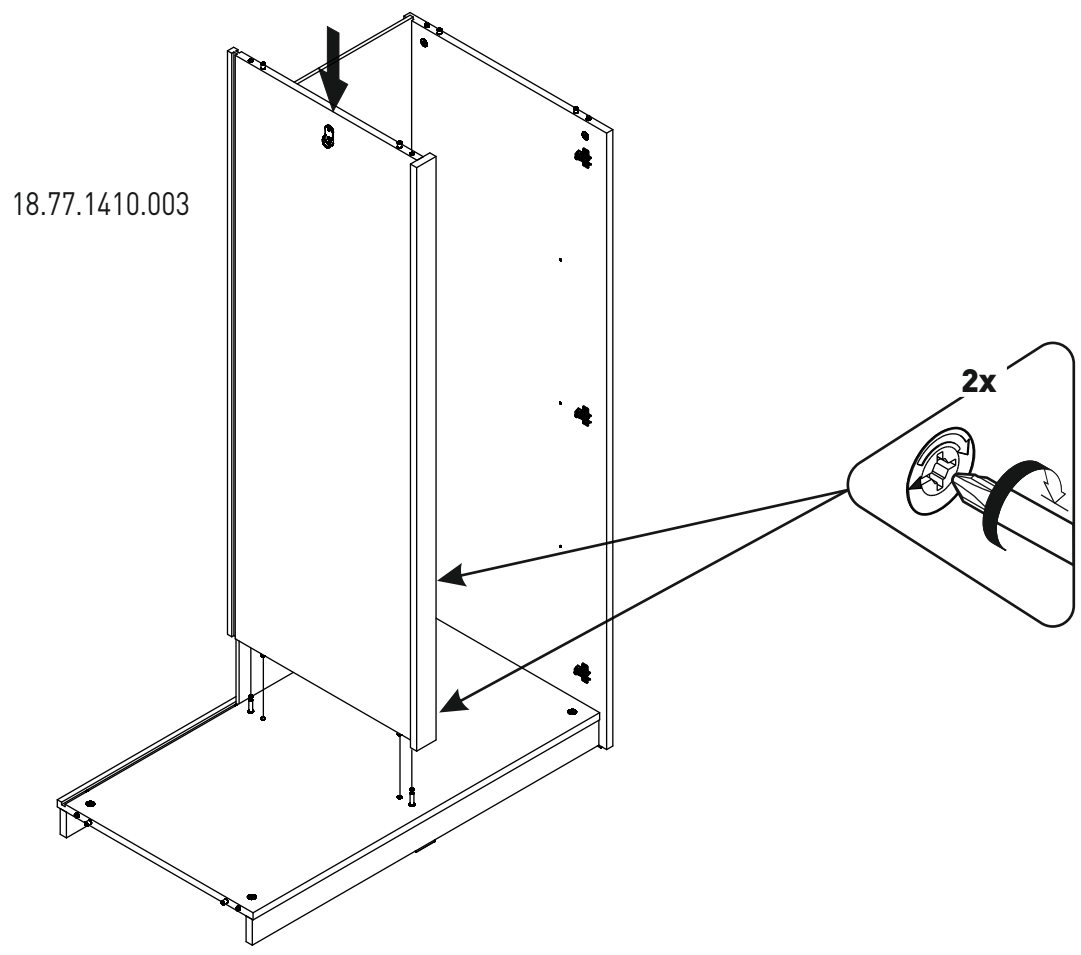
9



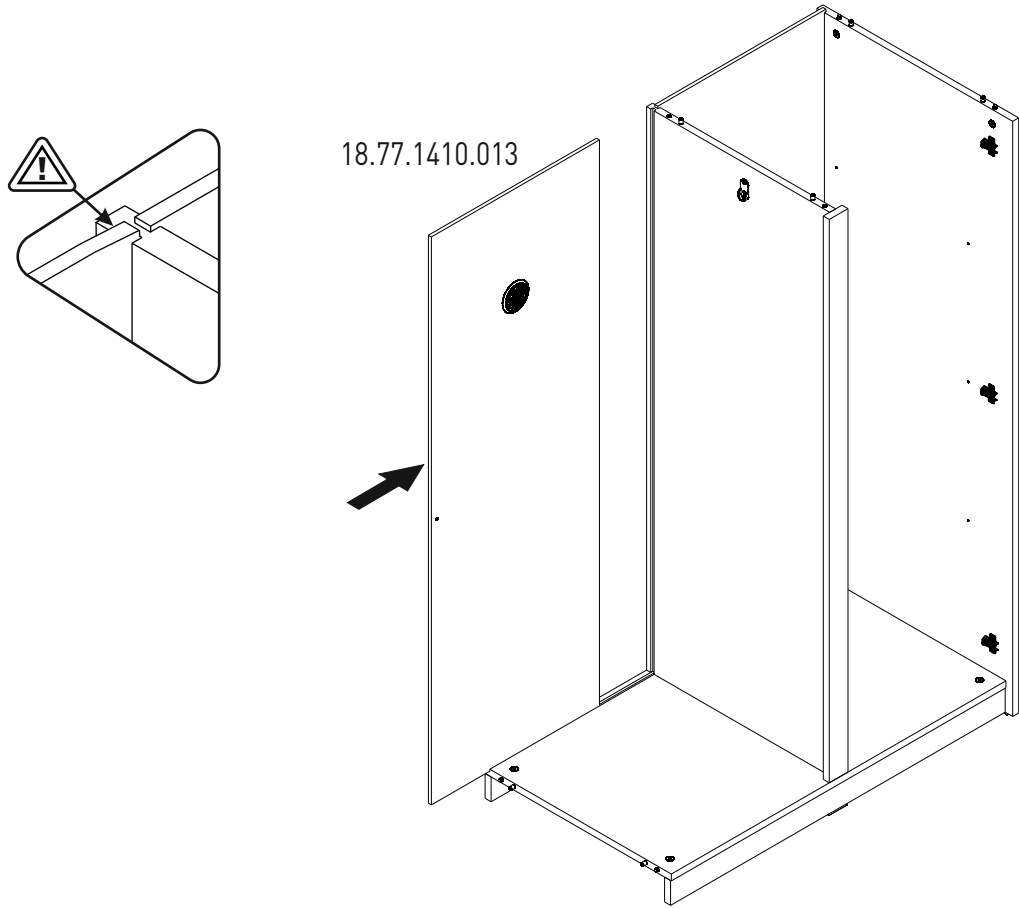
10



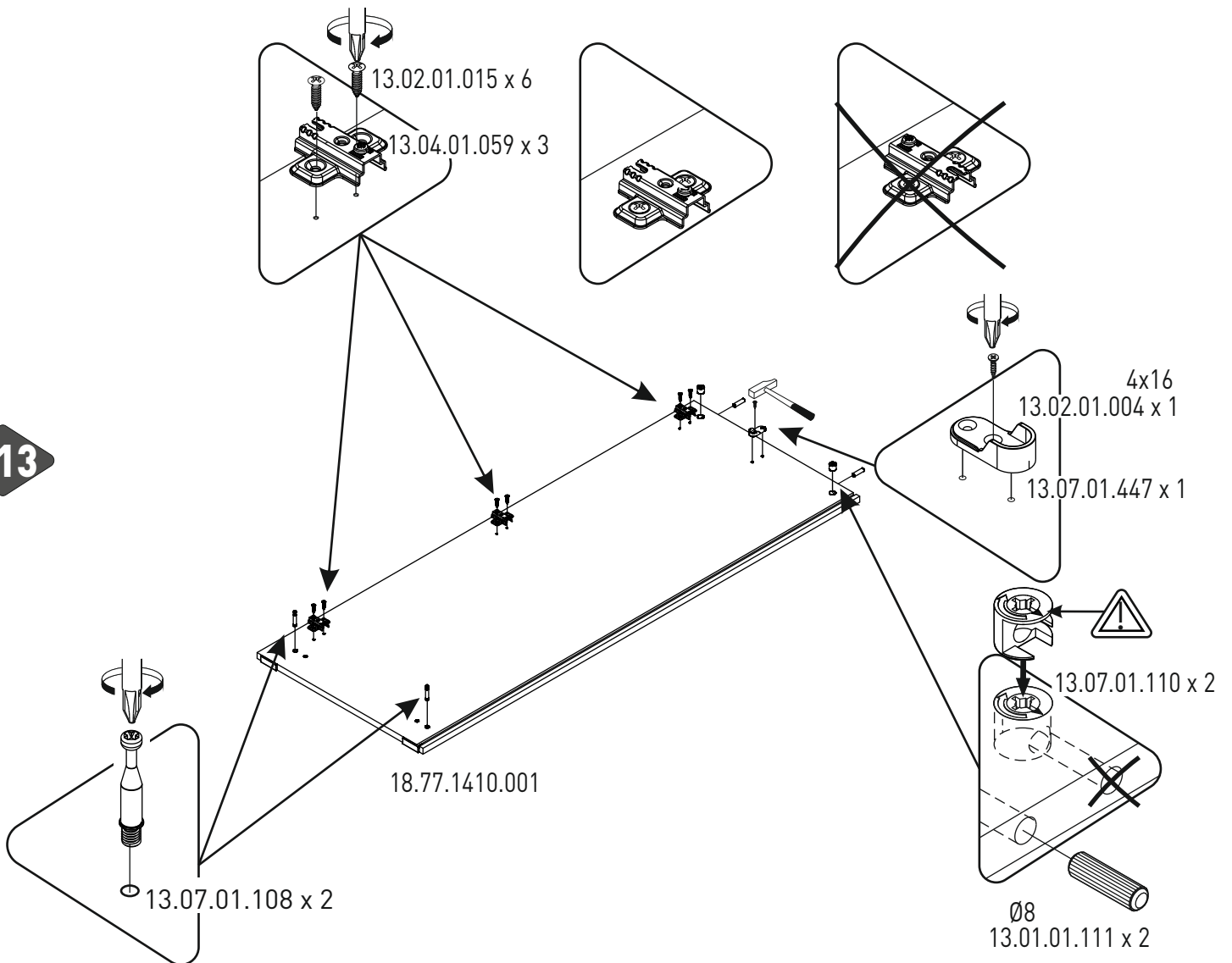
11



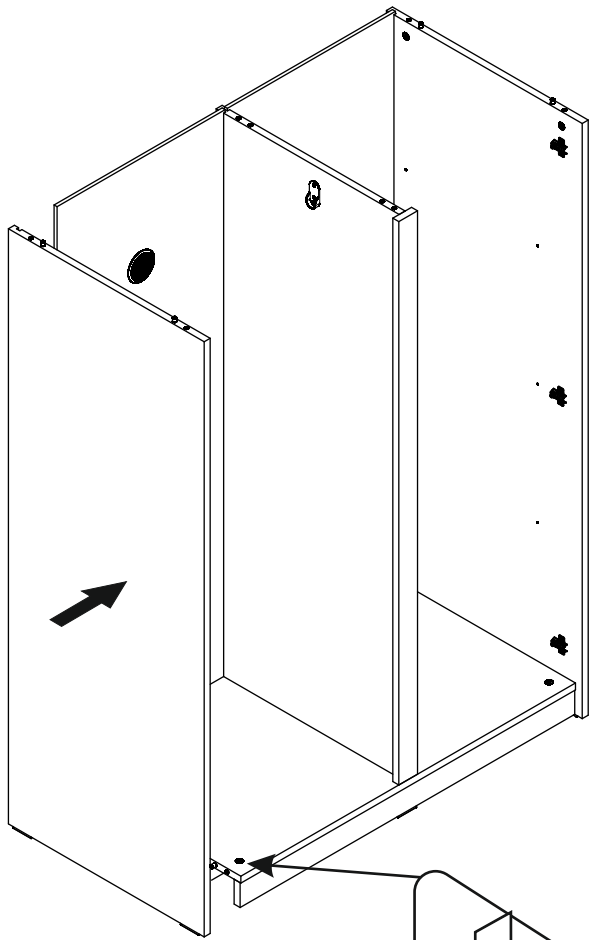
12



13



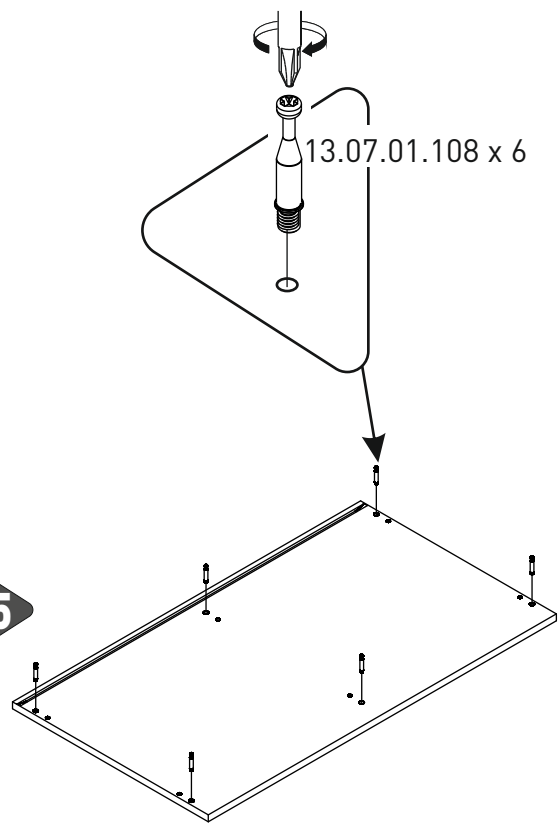
14



18.77.1410.001

2x

15

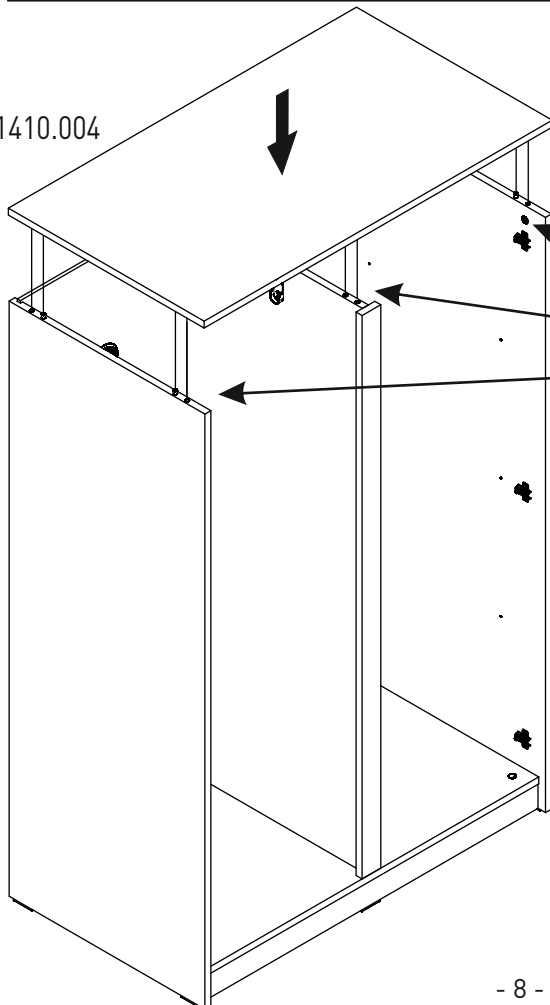


18.77.1410.004

13.07.01.108 x 6

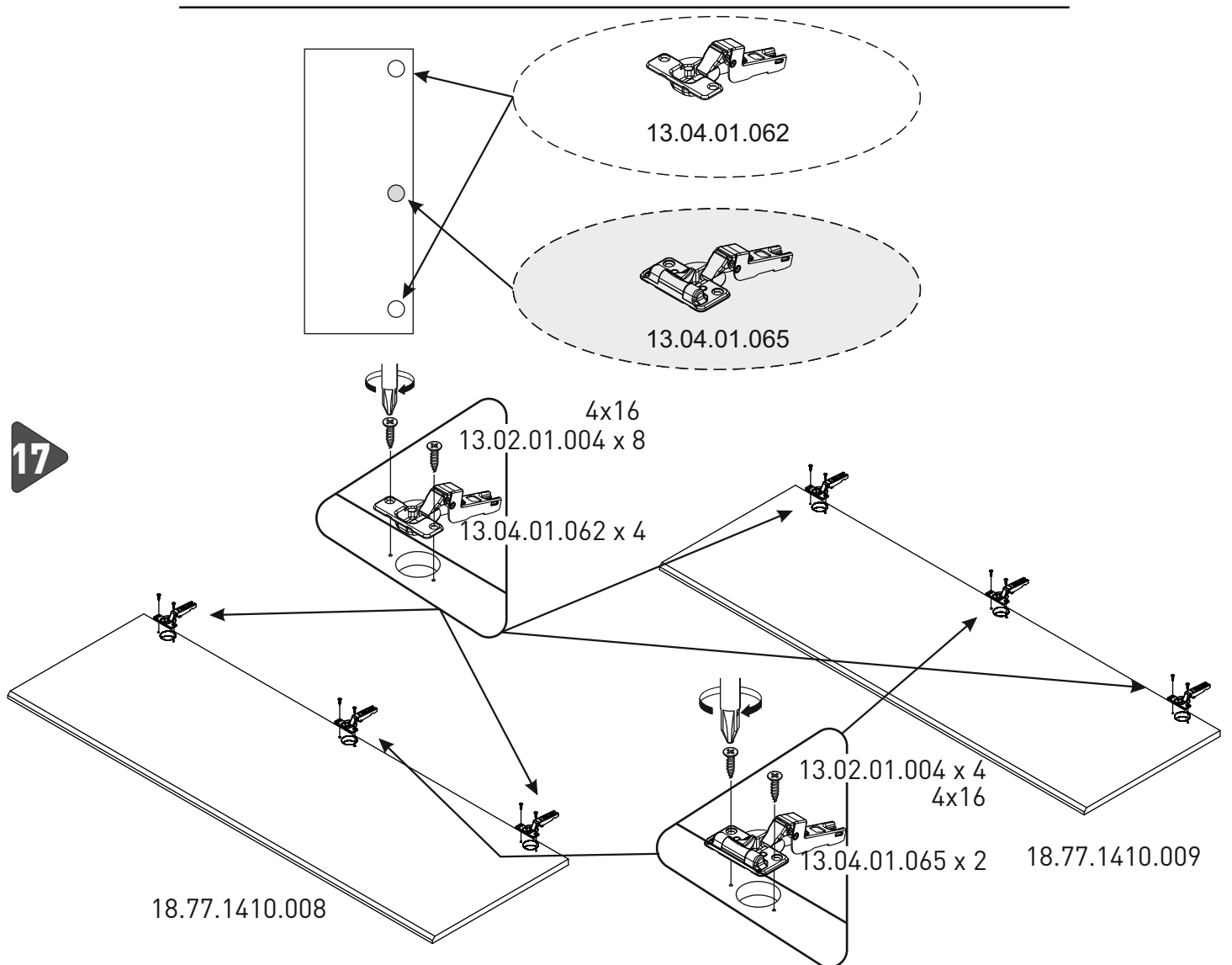
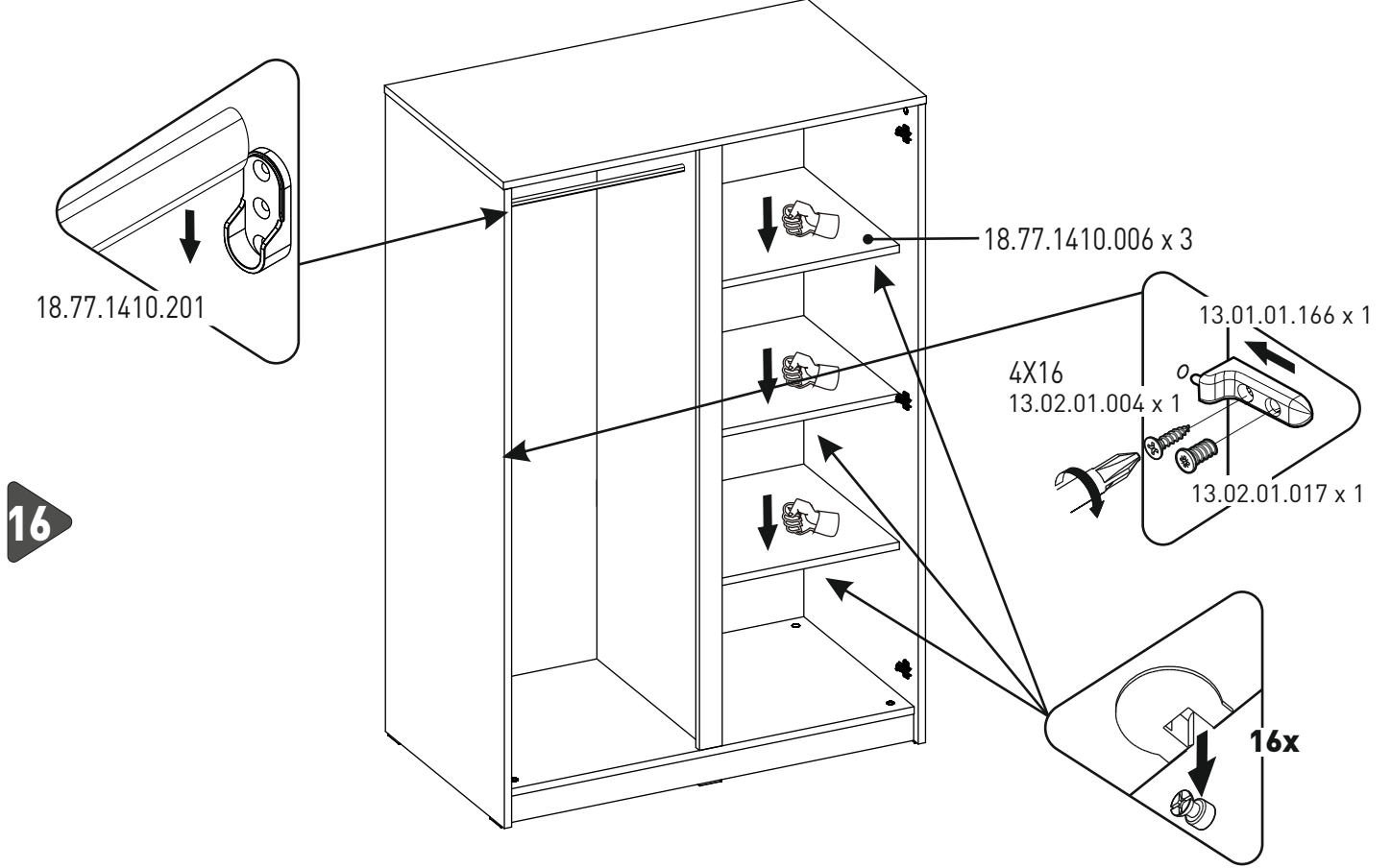
18.77.1410.004

15

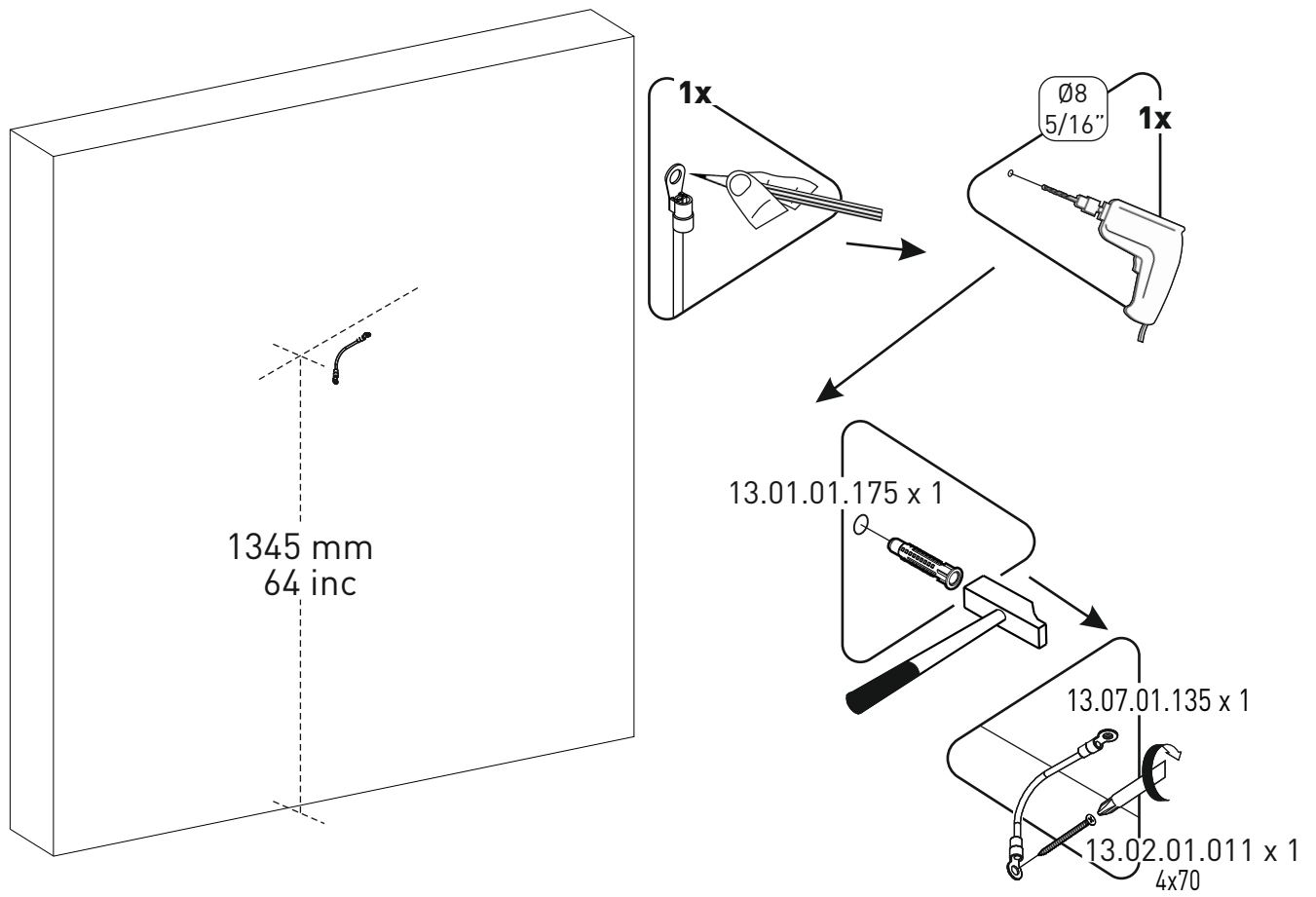


6x

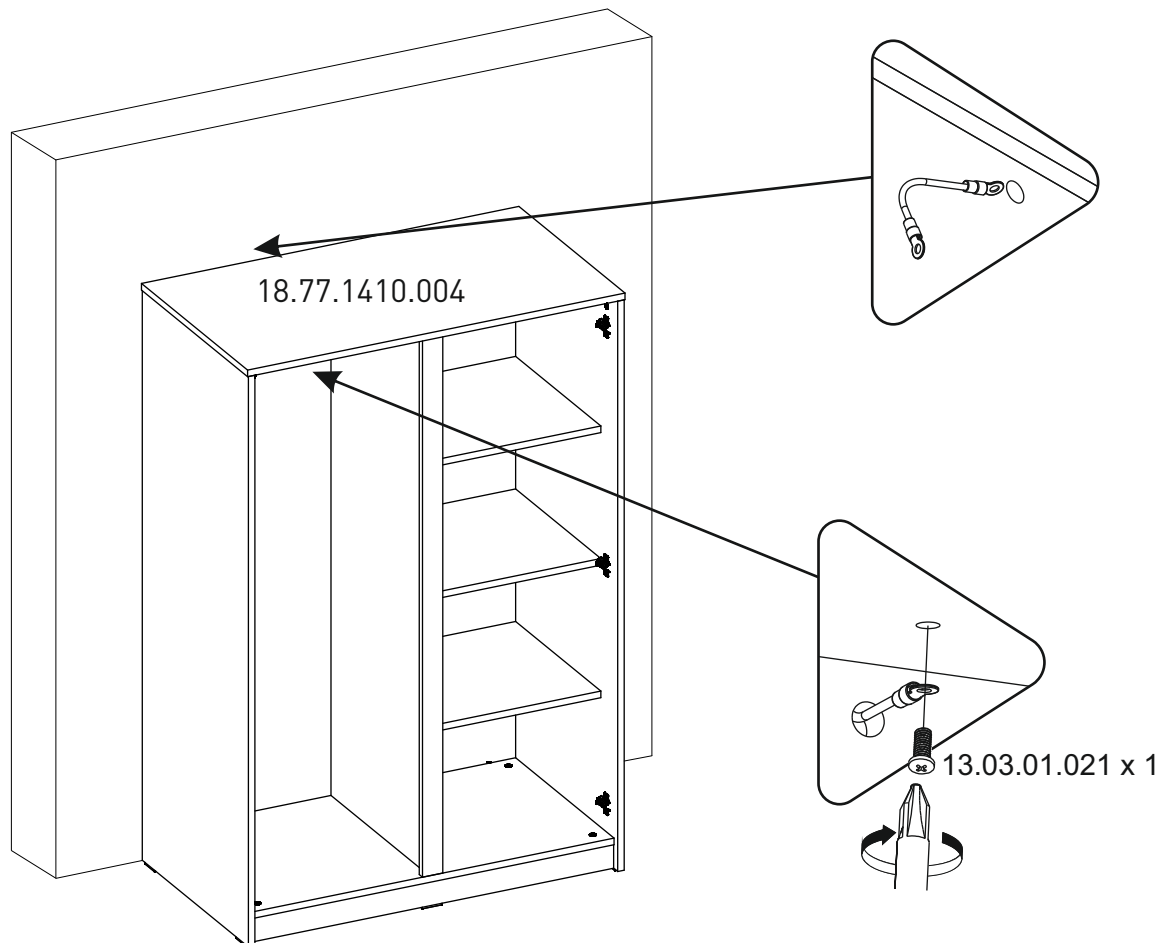
13.01.01.045 x 16



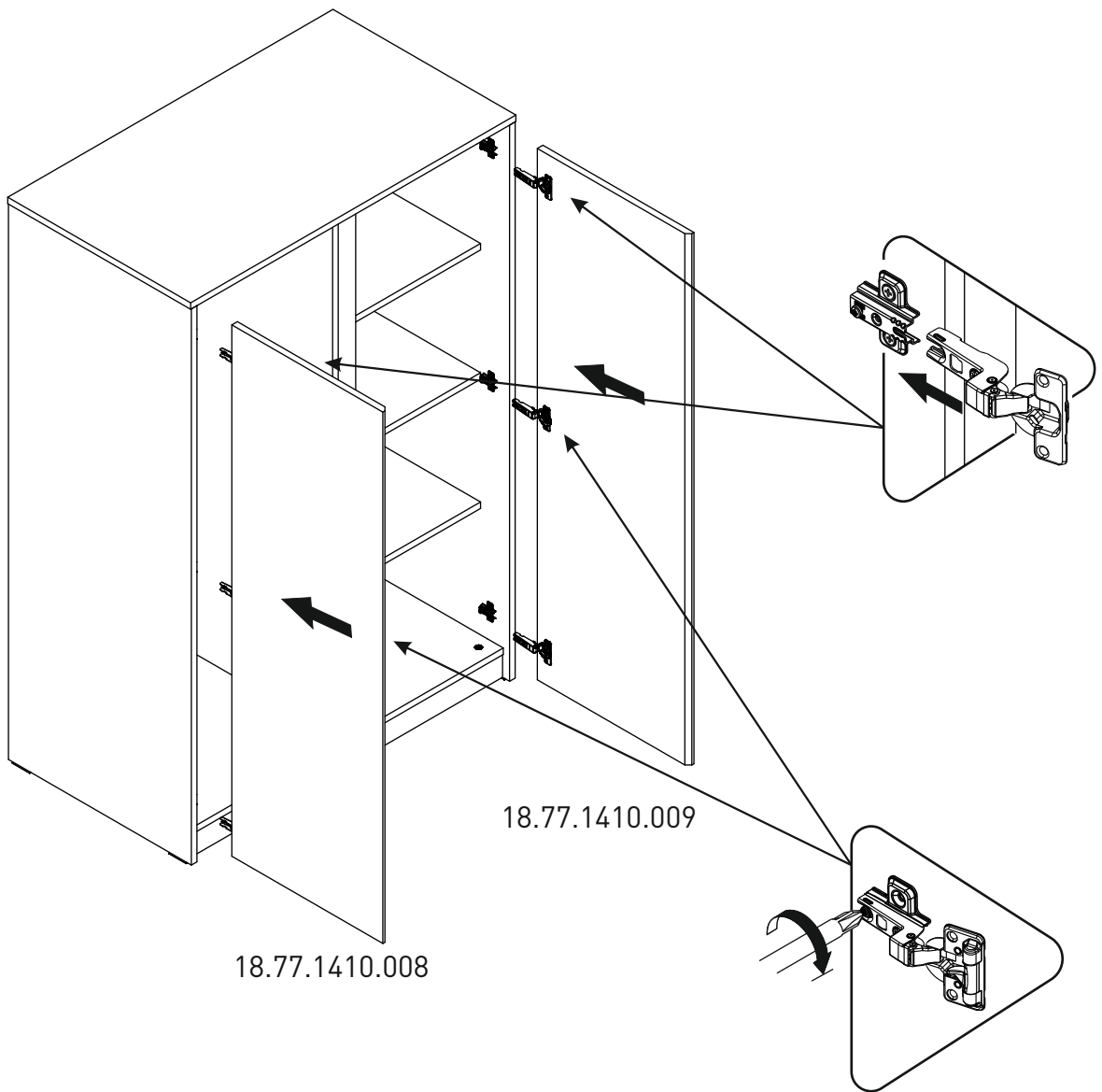
19



20



21



!

