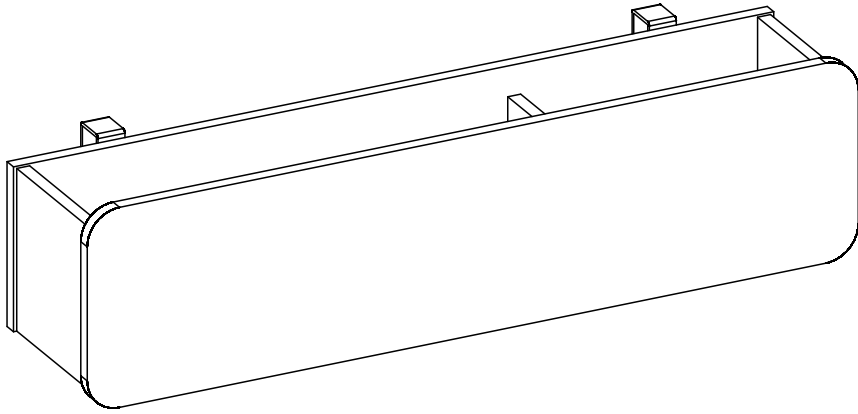
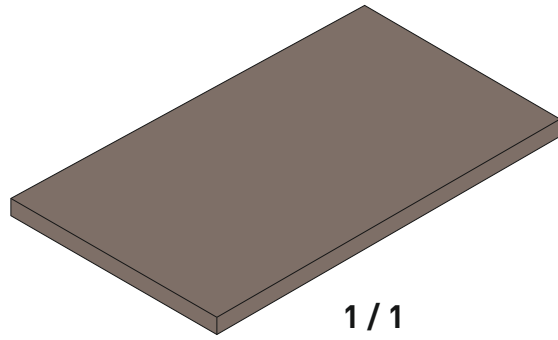
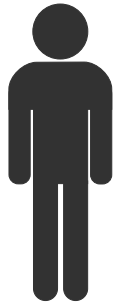


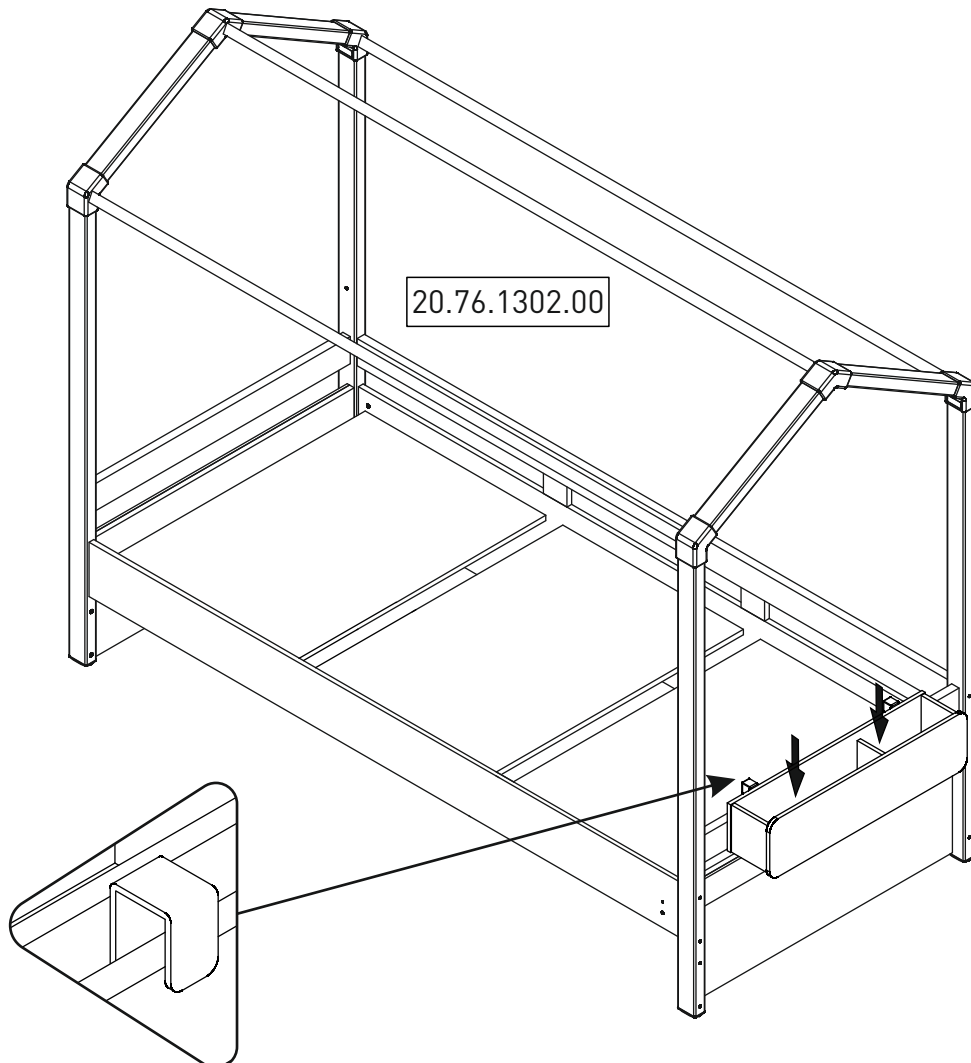
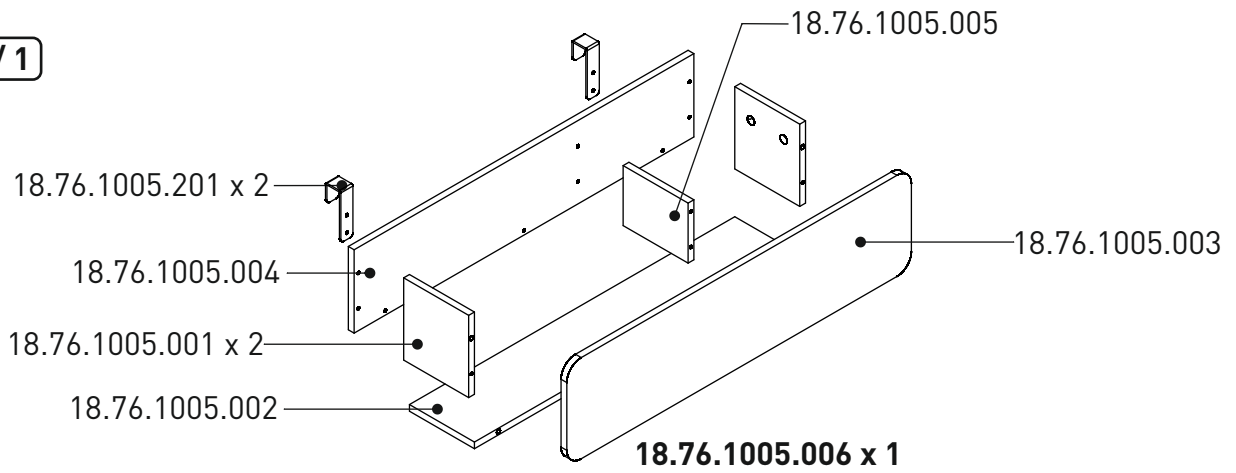
**20.76.1005.00**



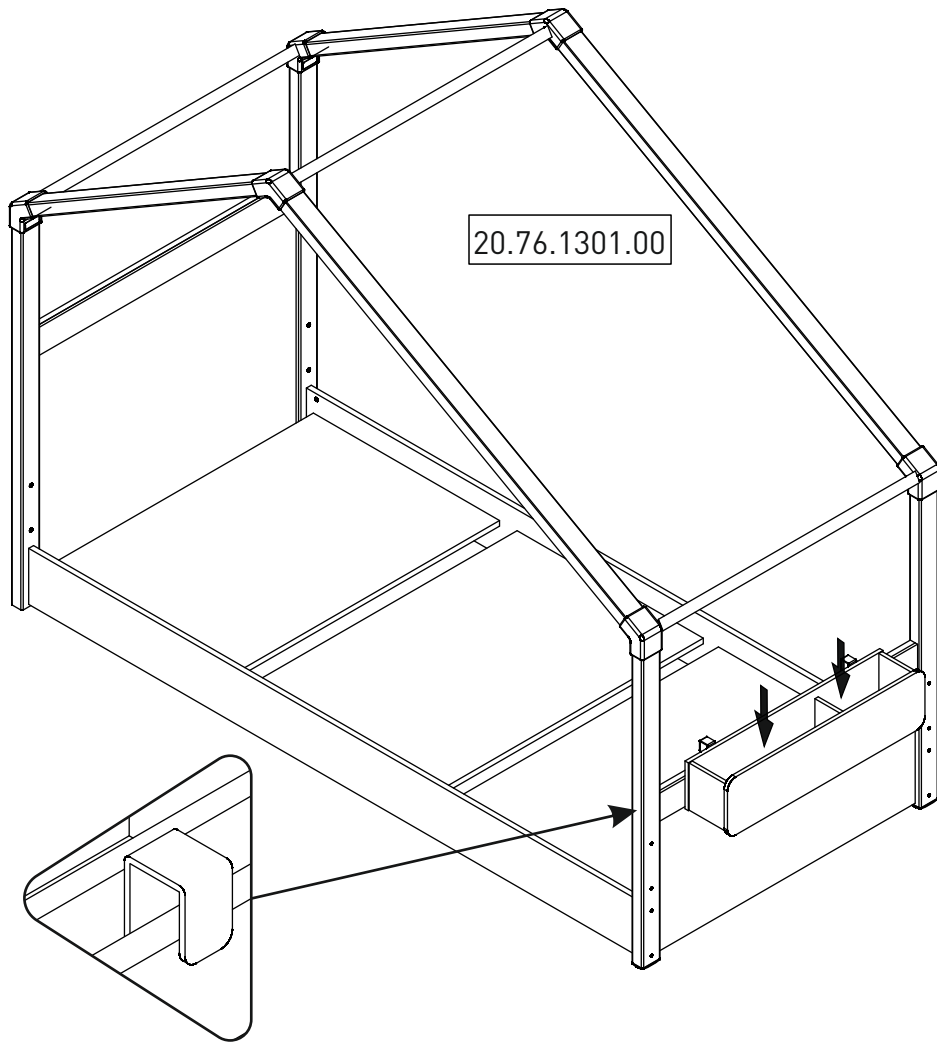


1 / 1

1 / 1



2



3

