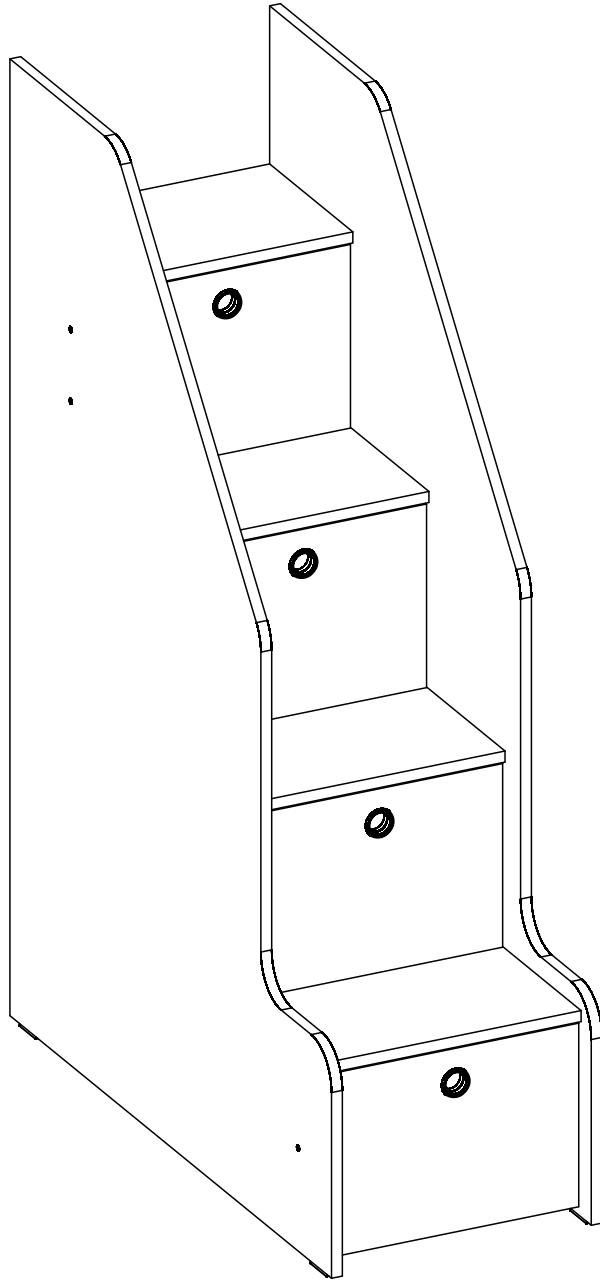
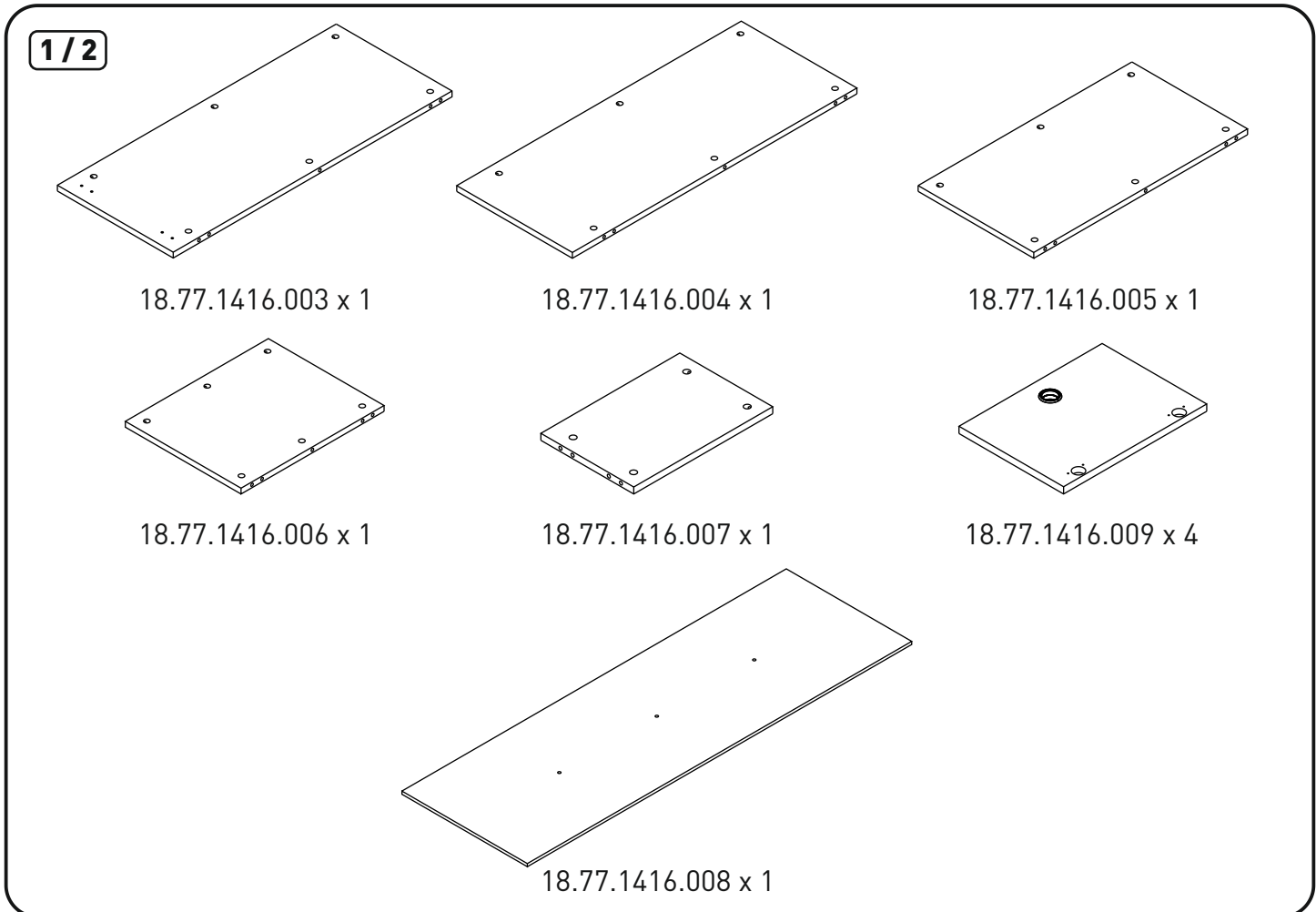
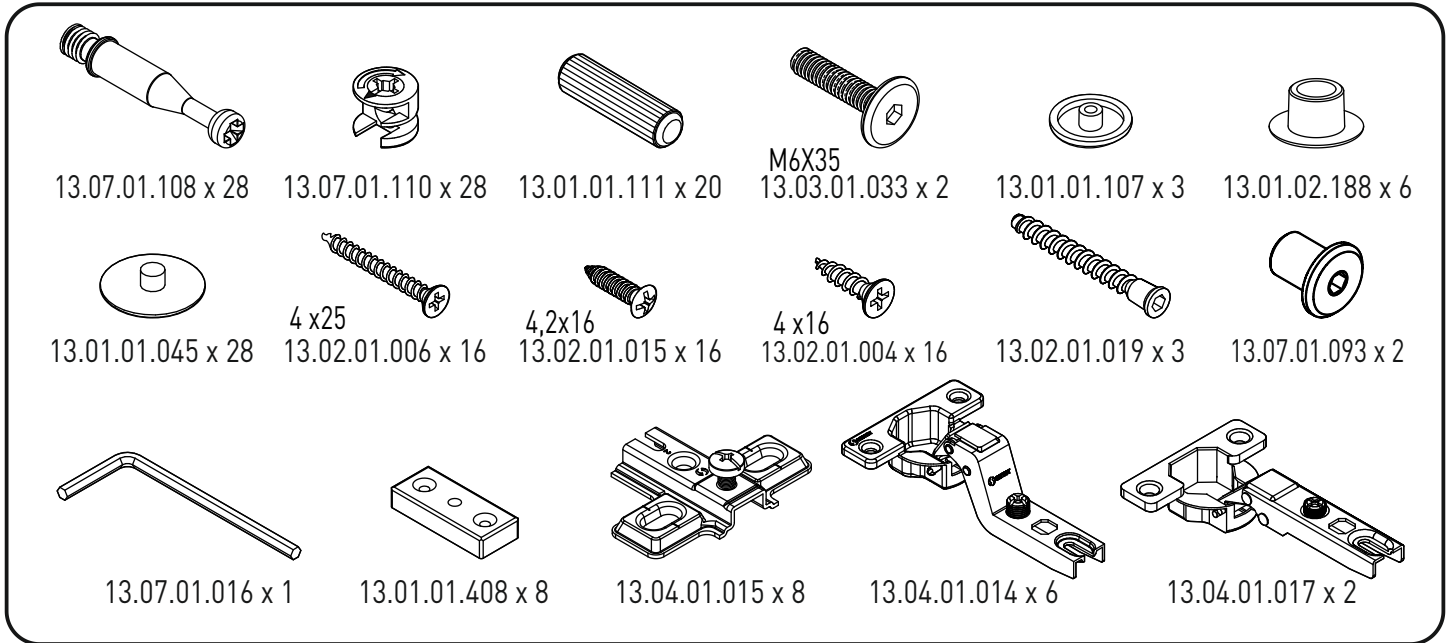
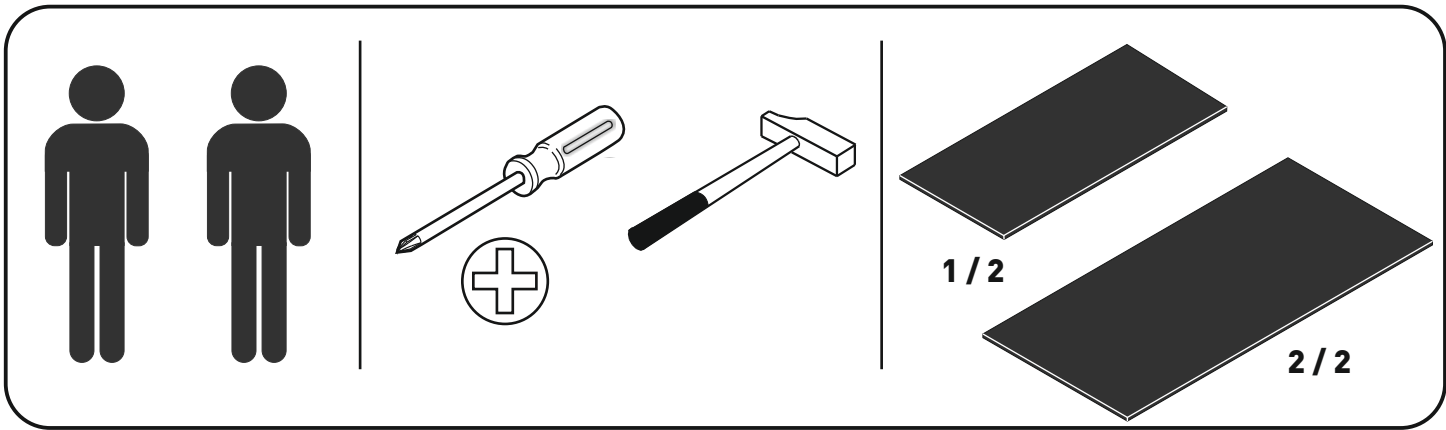


20.77.1416.00



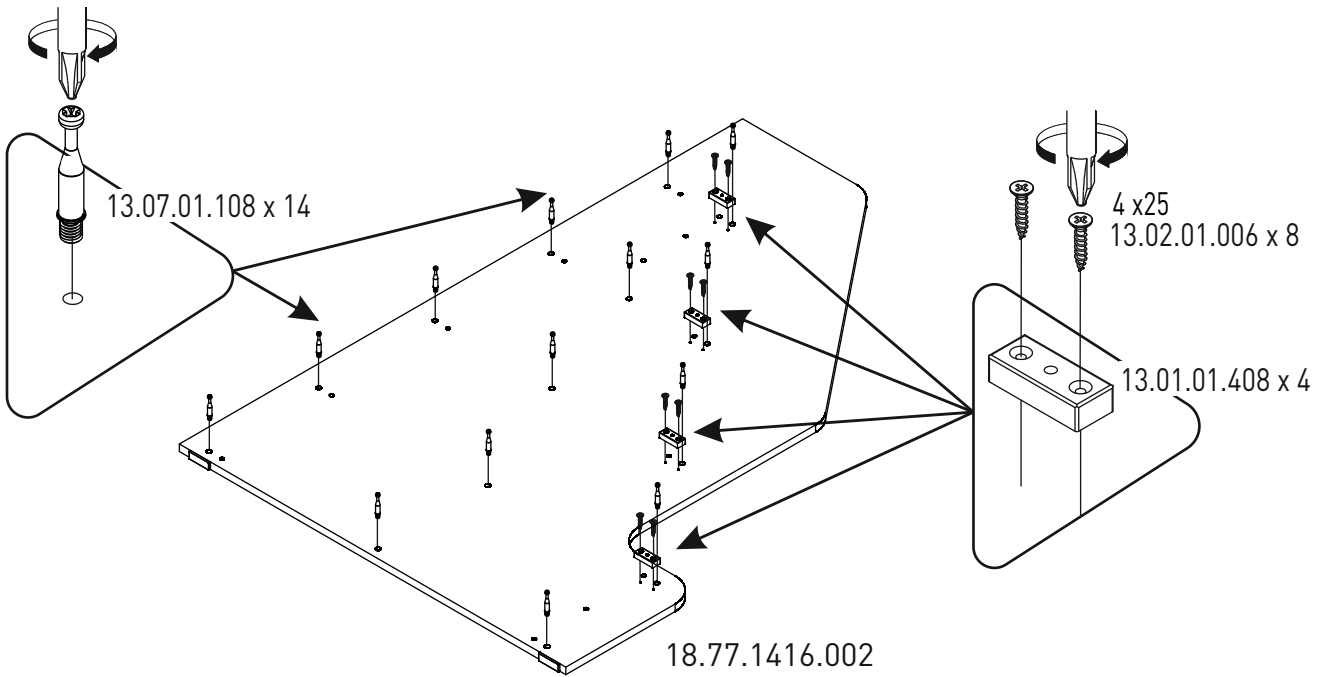


2/2

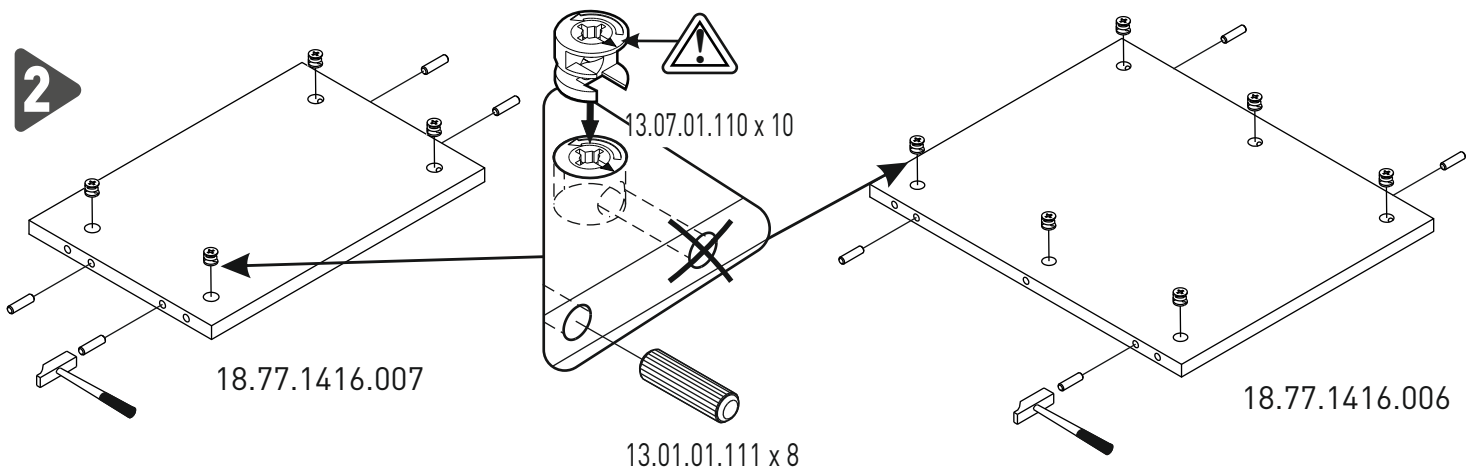
18.77.1416.001 x 1

18.77.1416.002 x 1

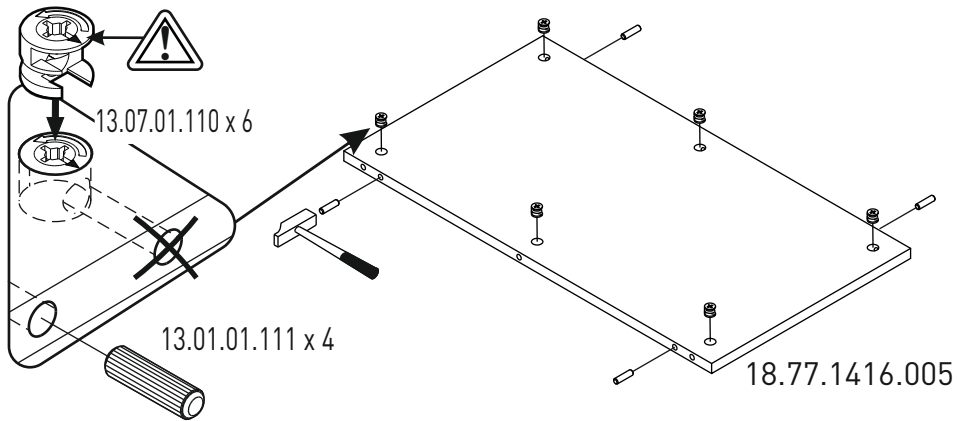
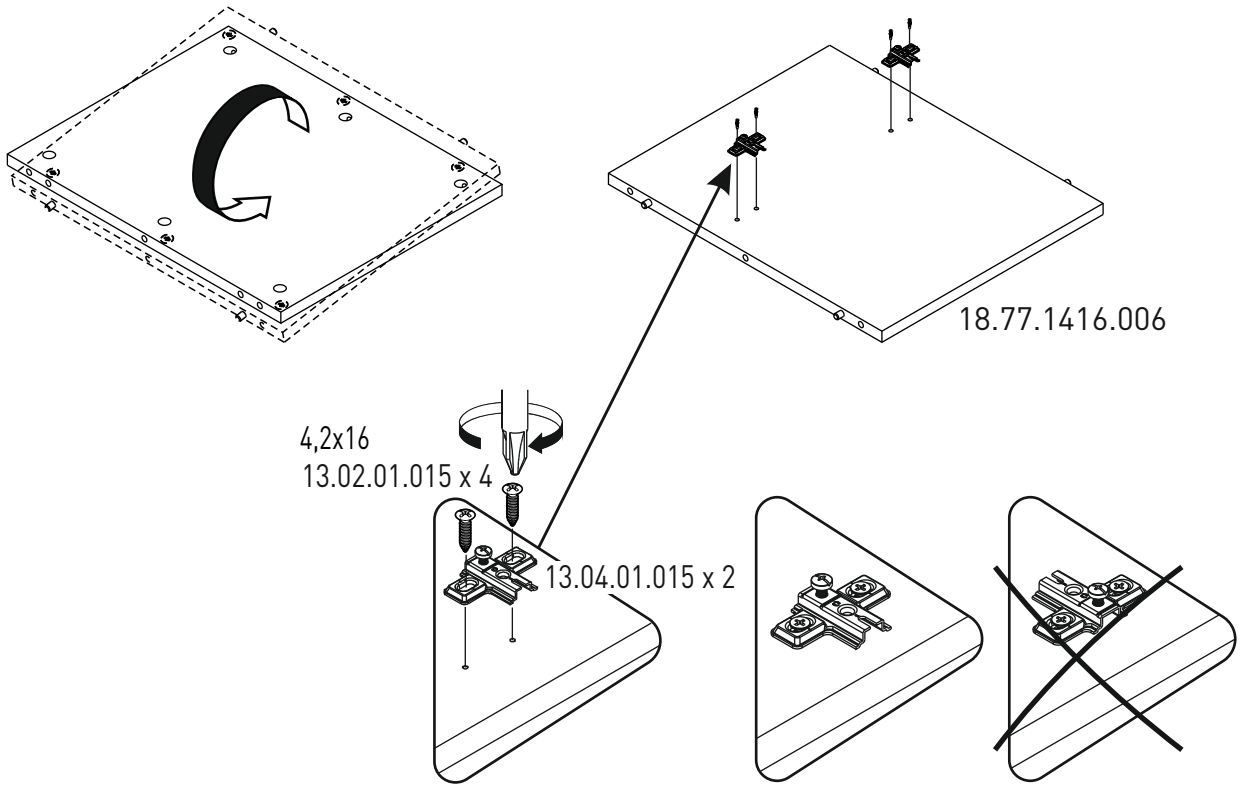
1



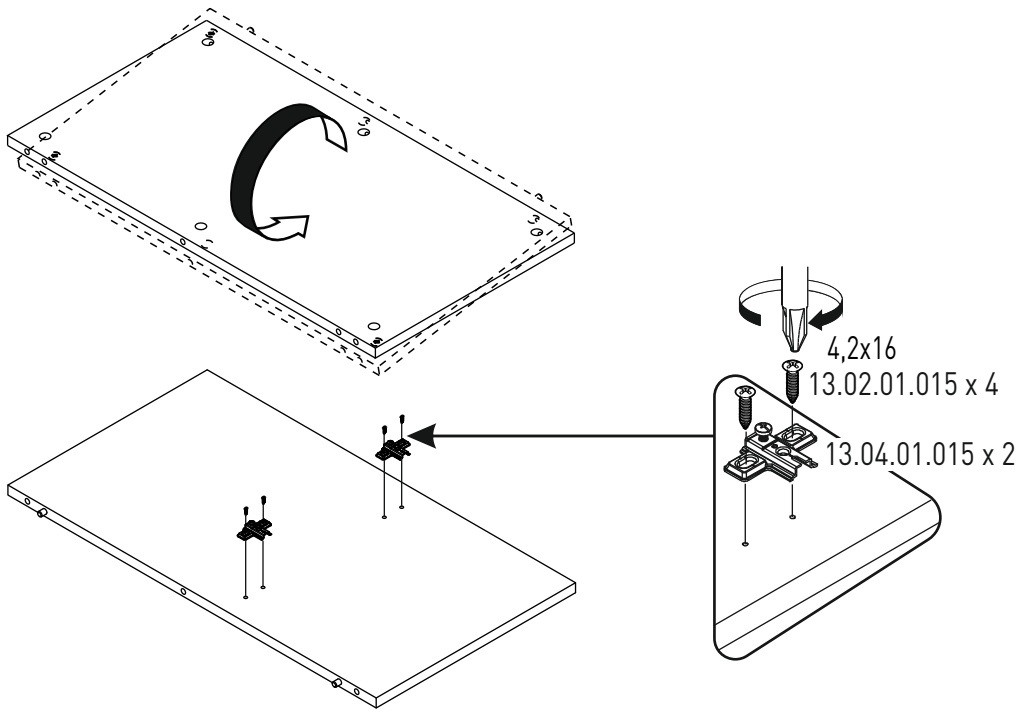
2



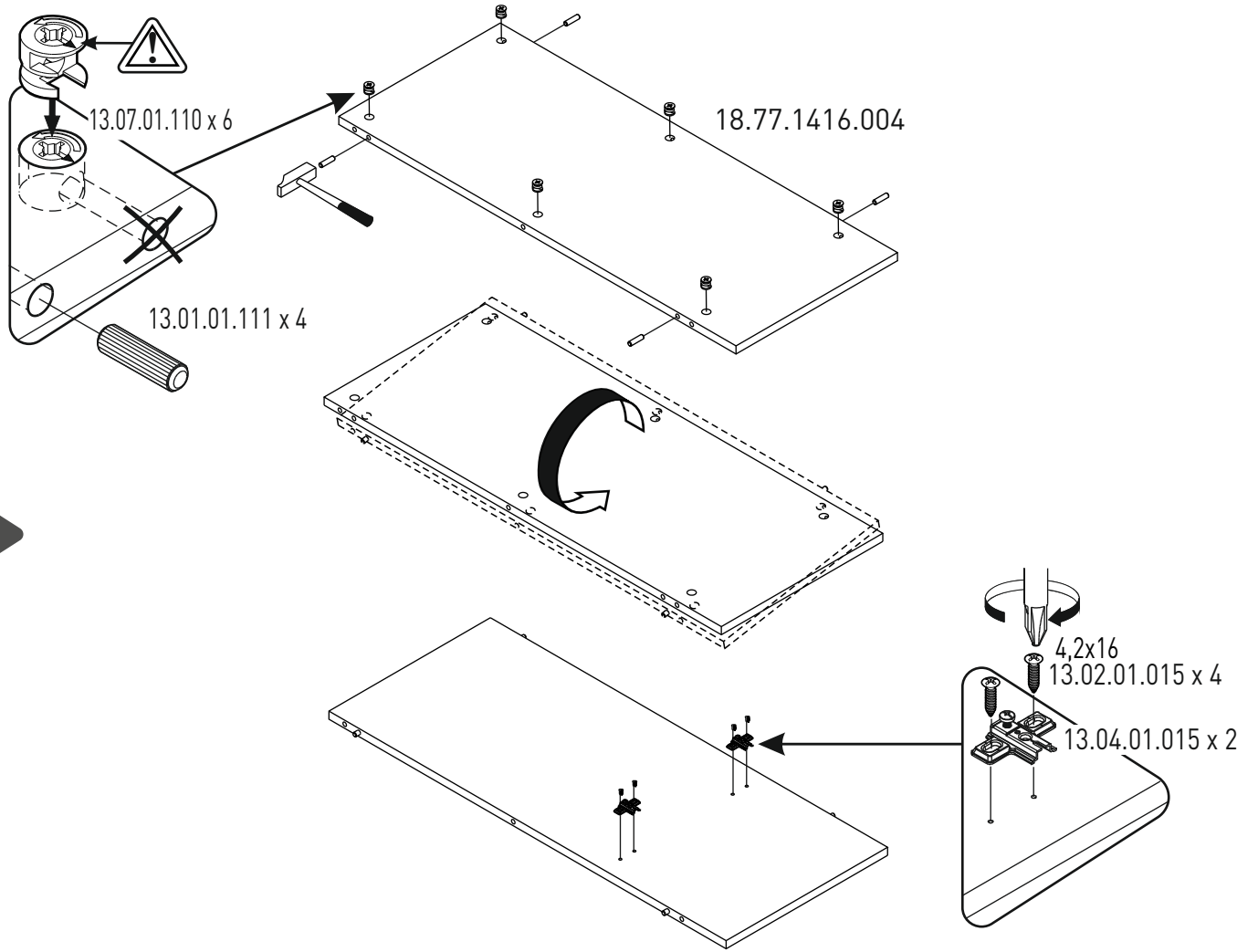
3



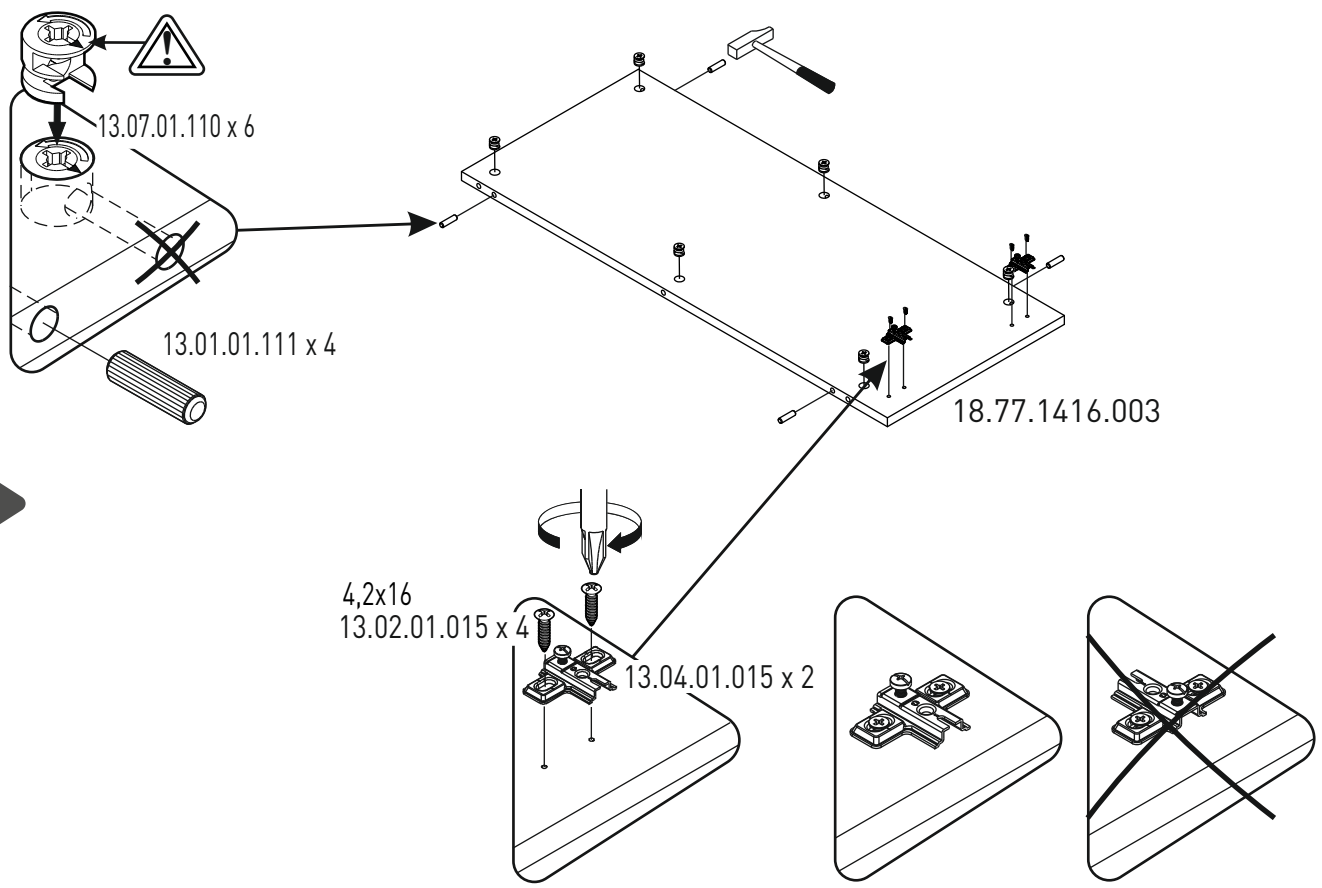
4



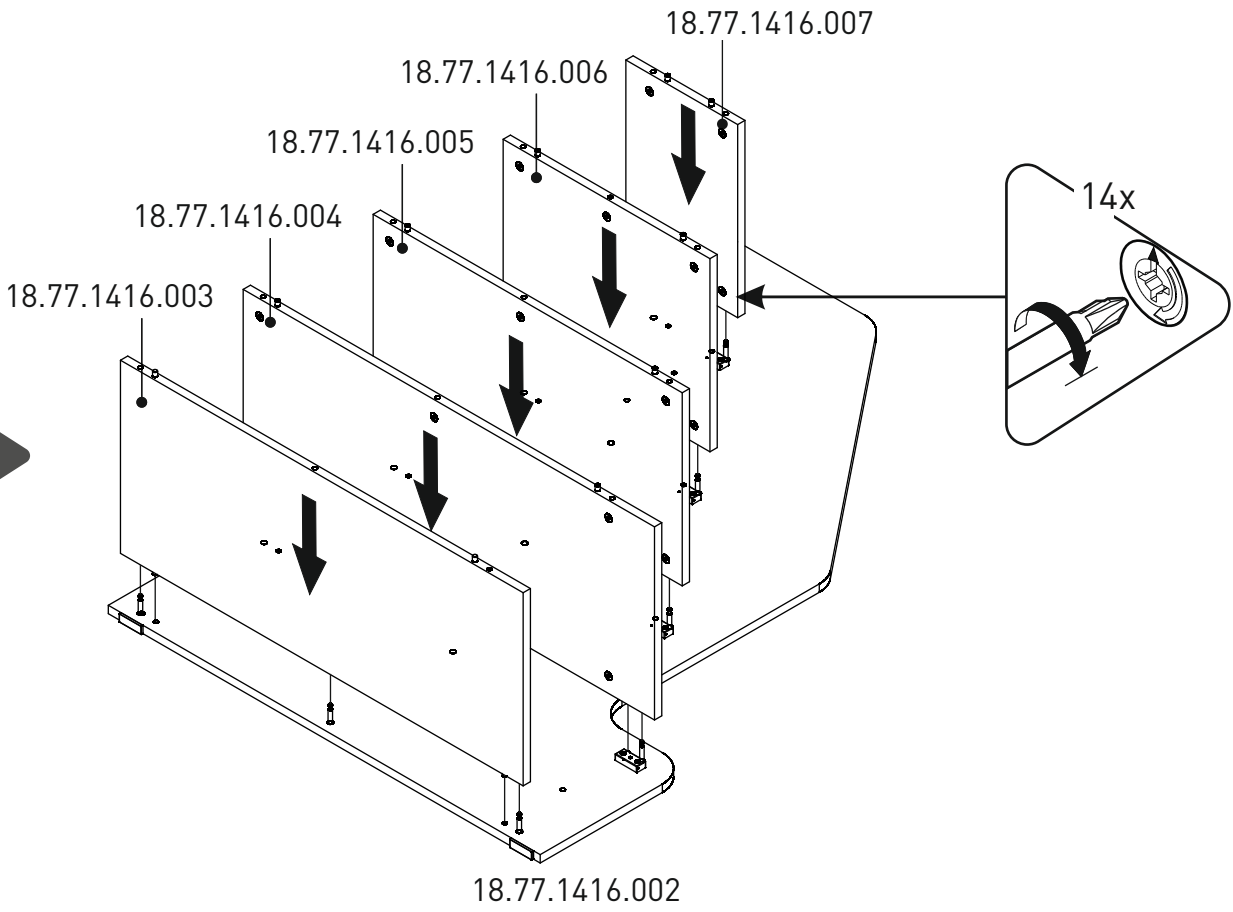
5



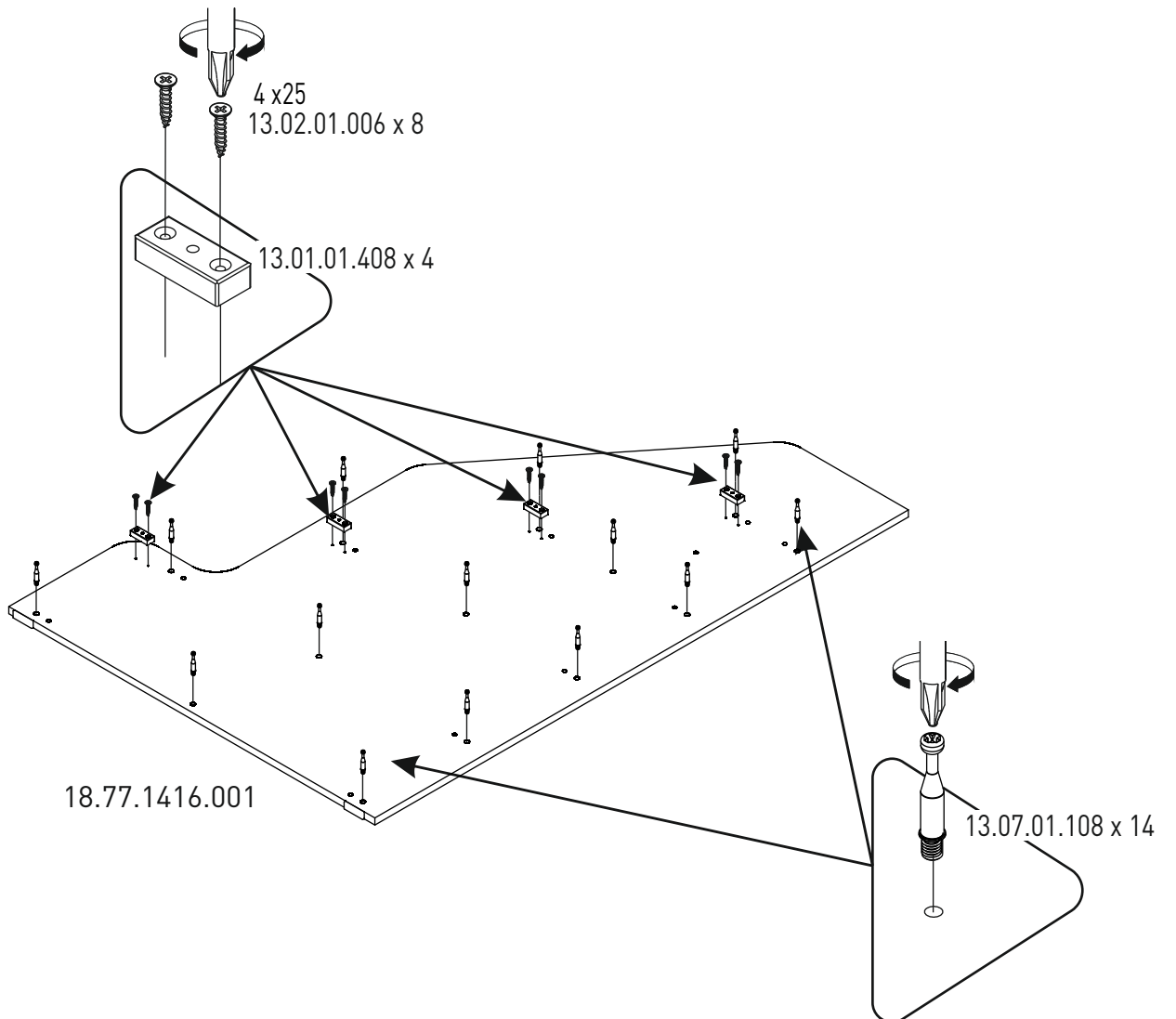
6



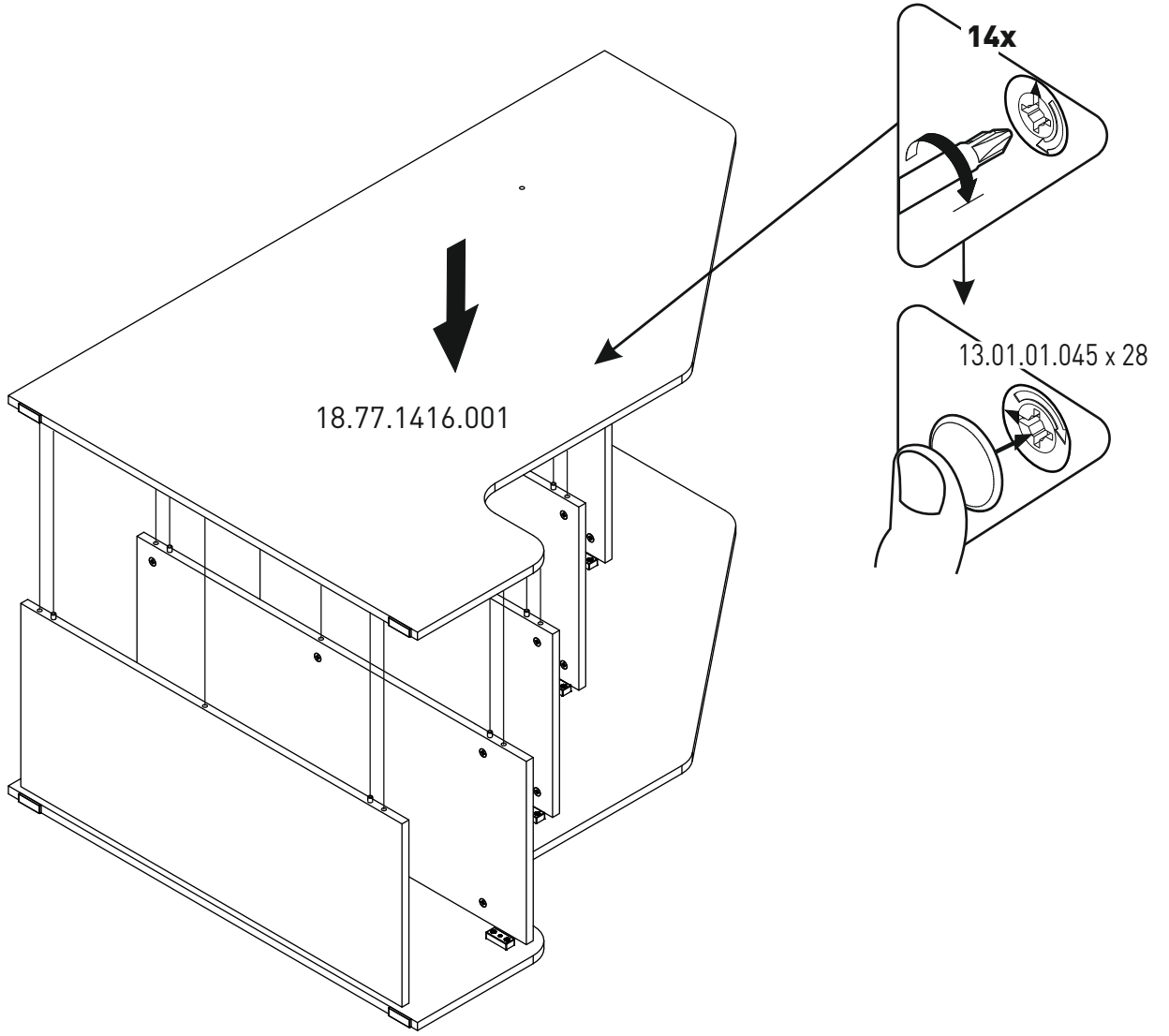
7



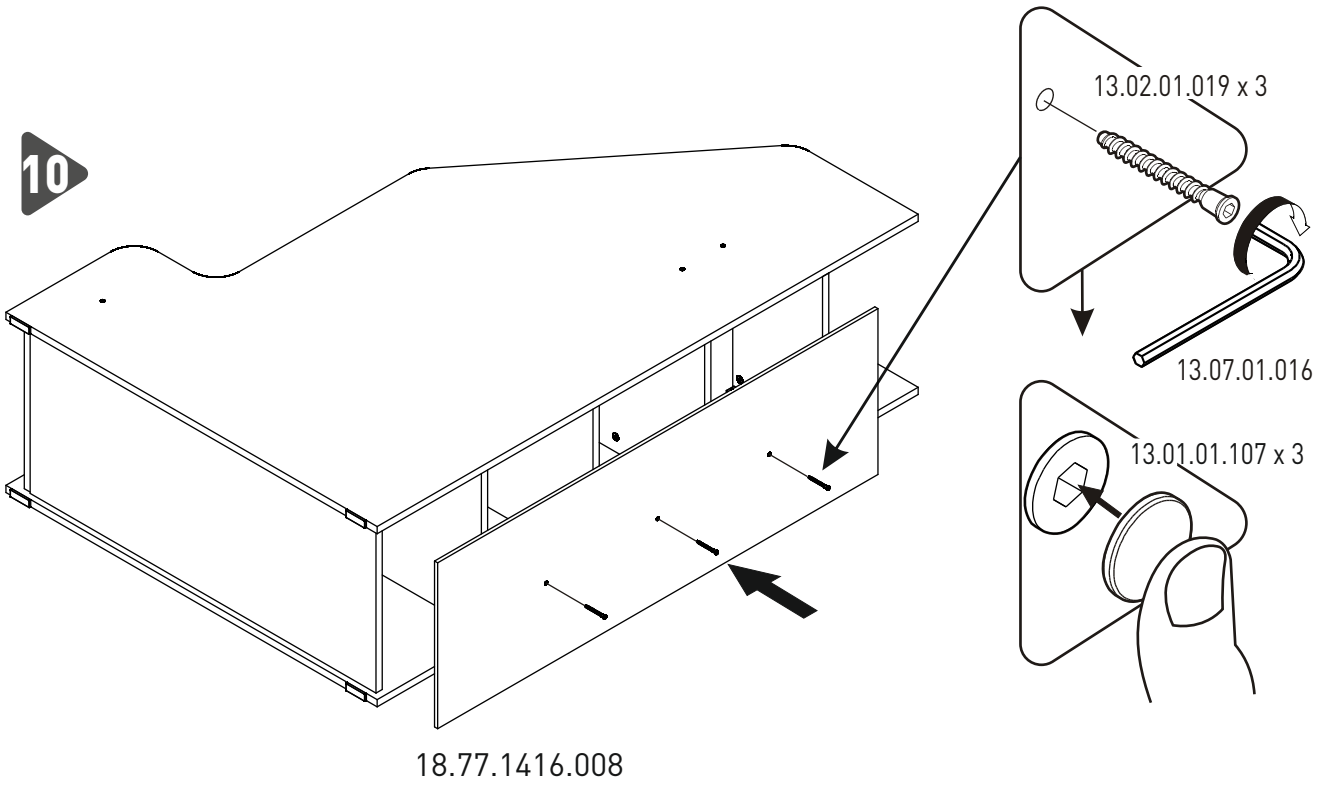
8



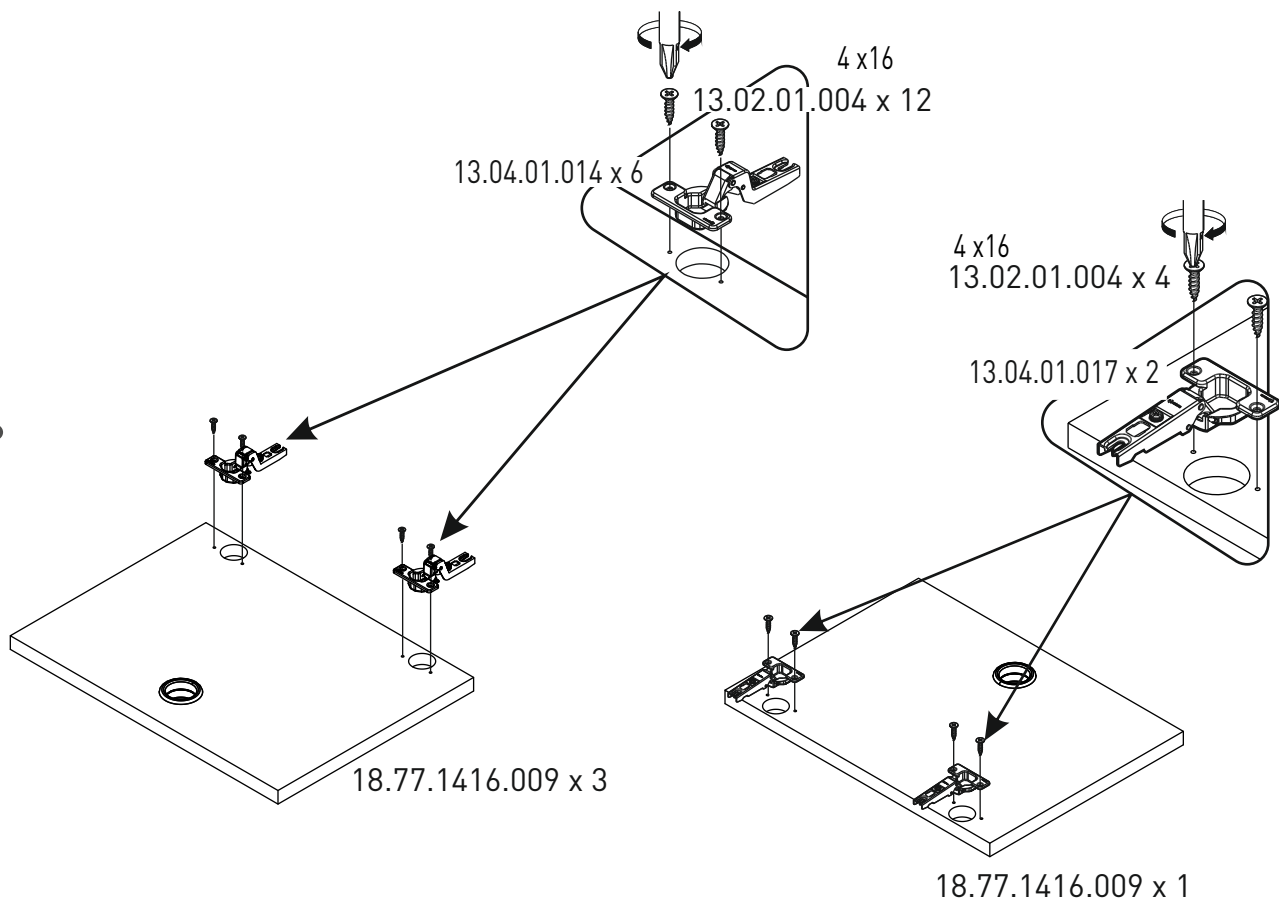
9



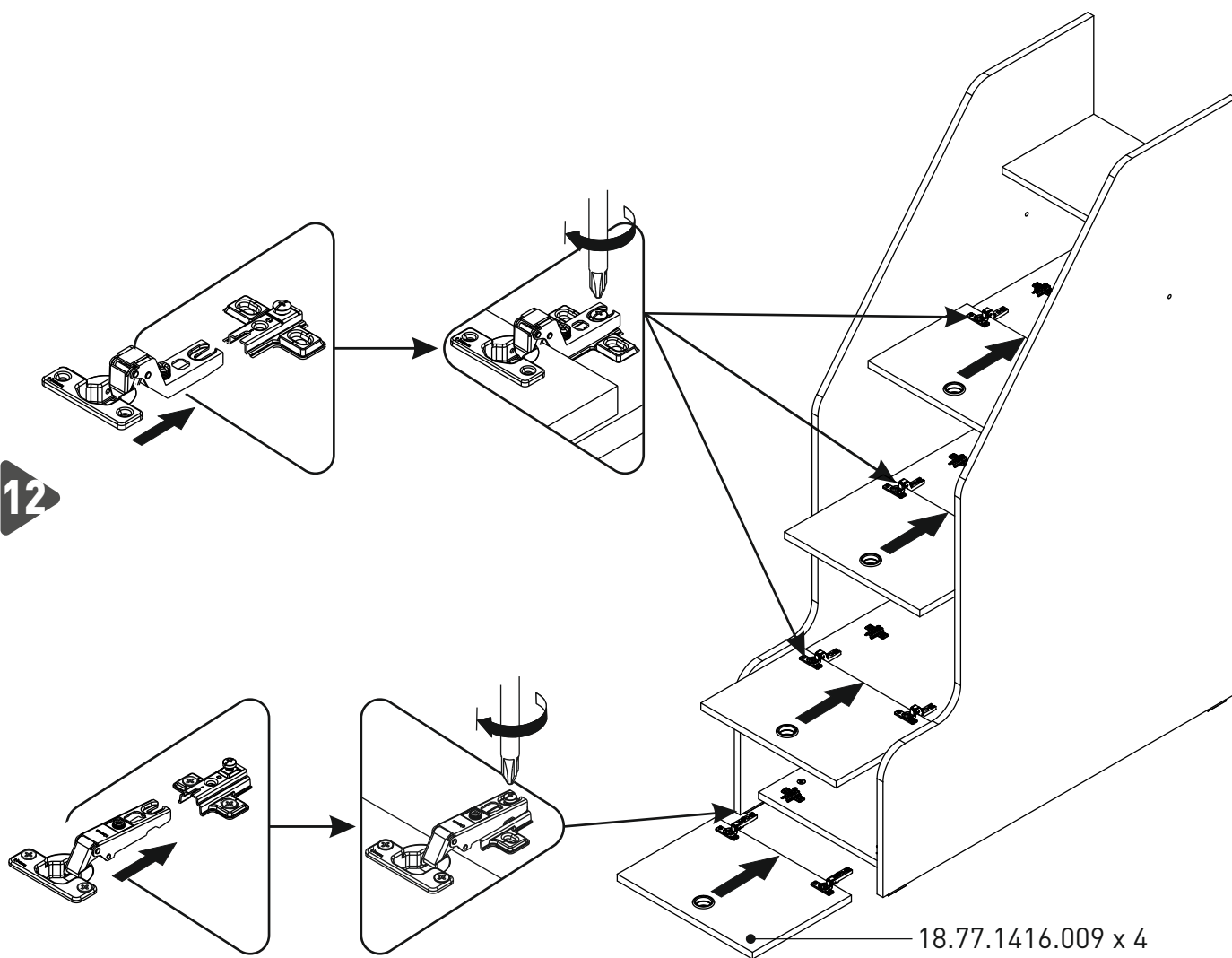
10



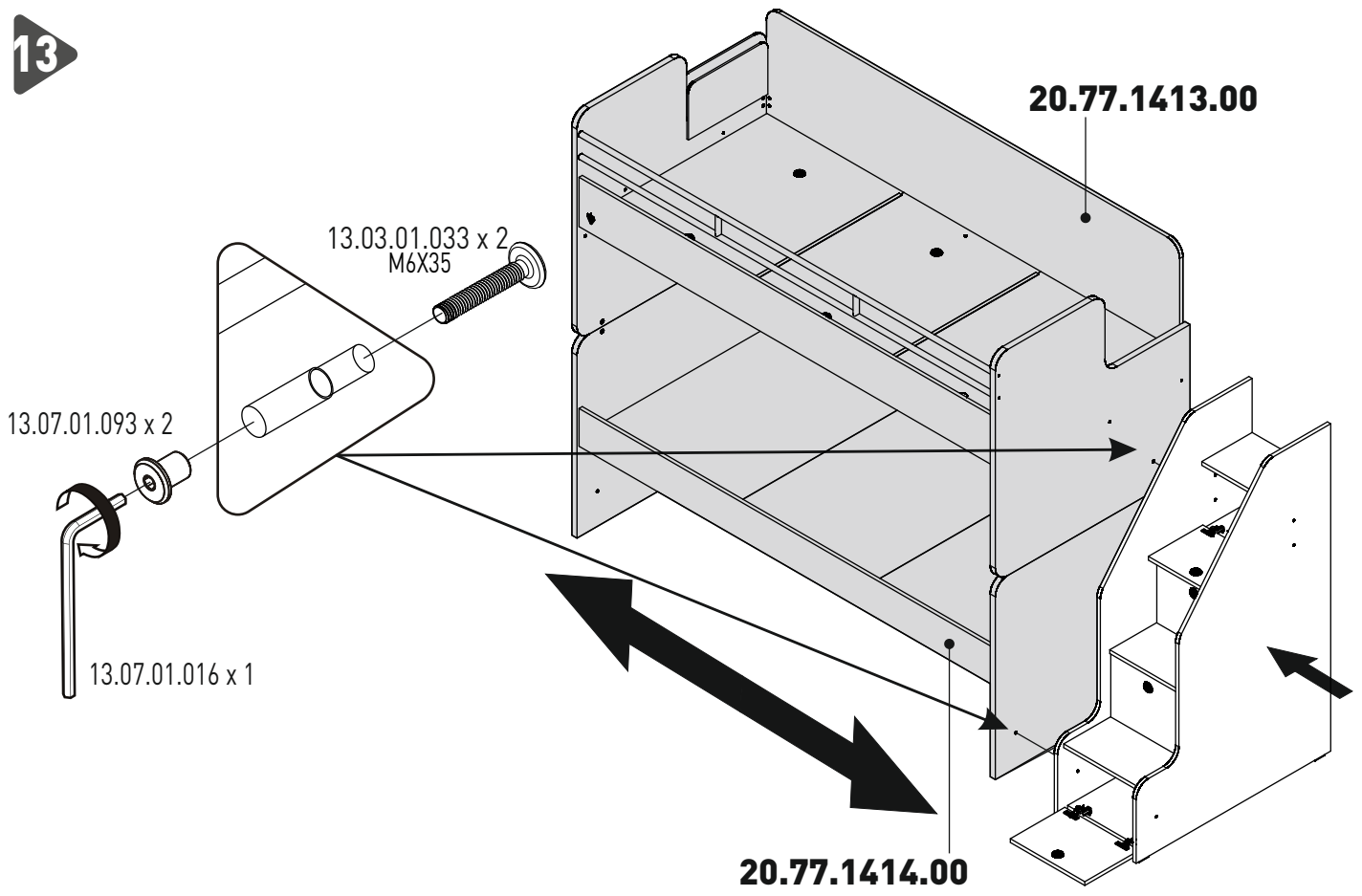
11



12



13



14

