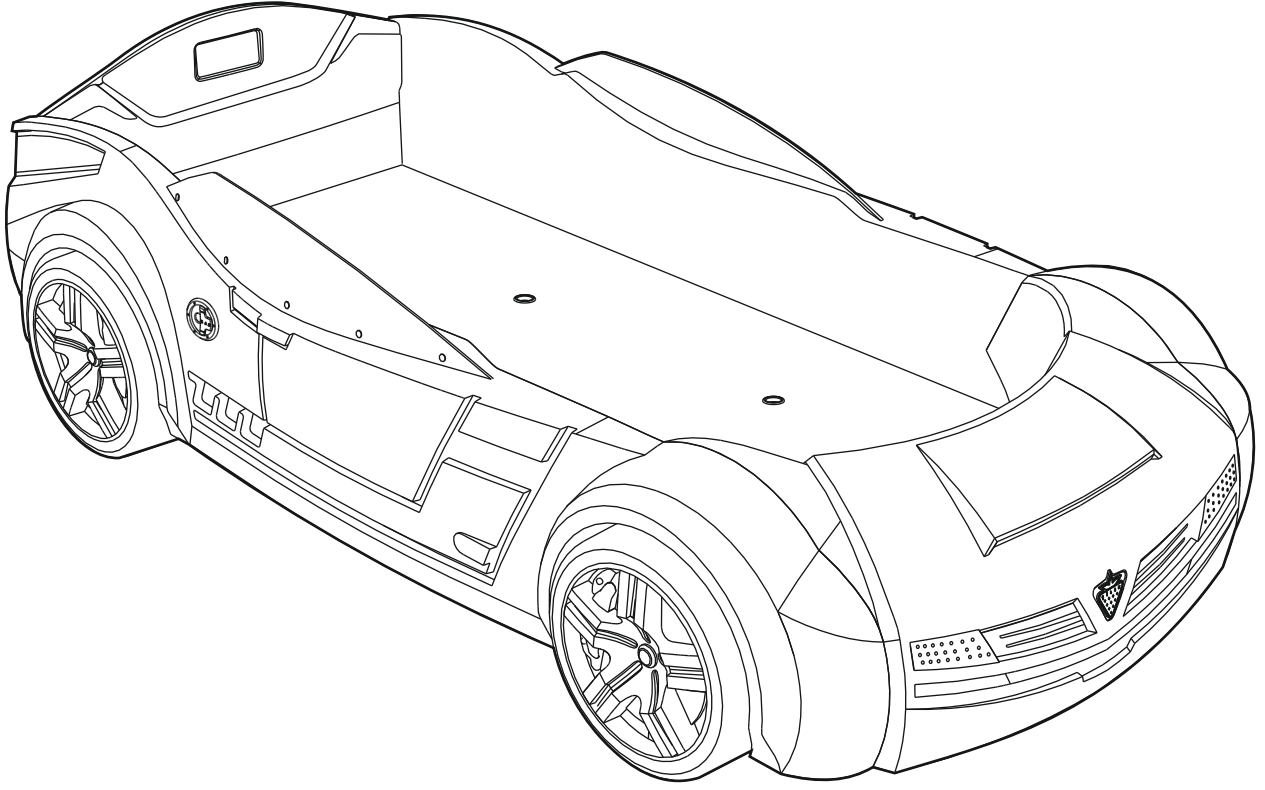


# 20.02.1334.00



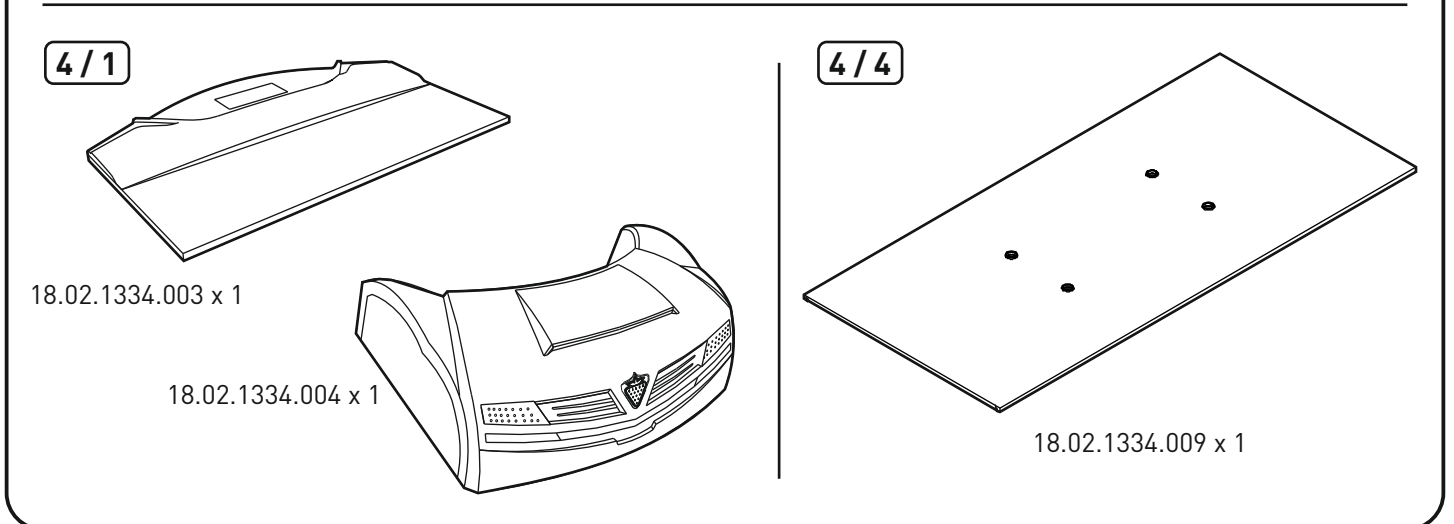
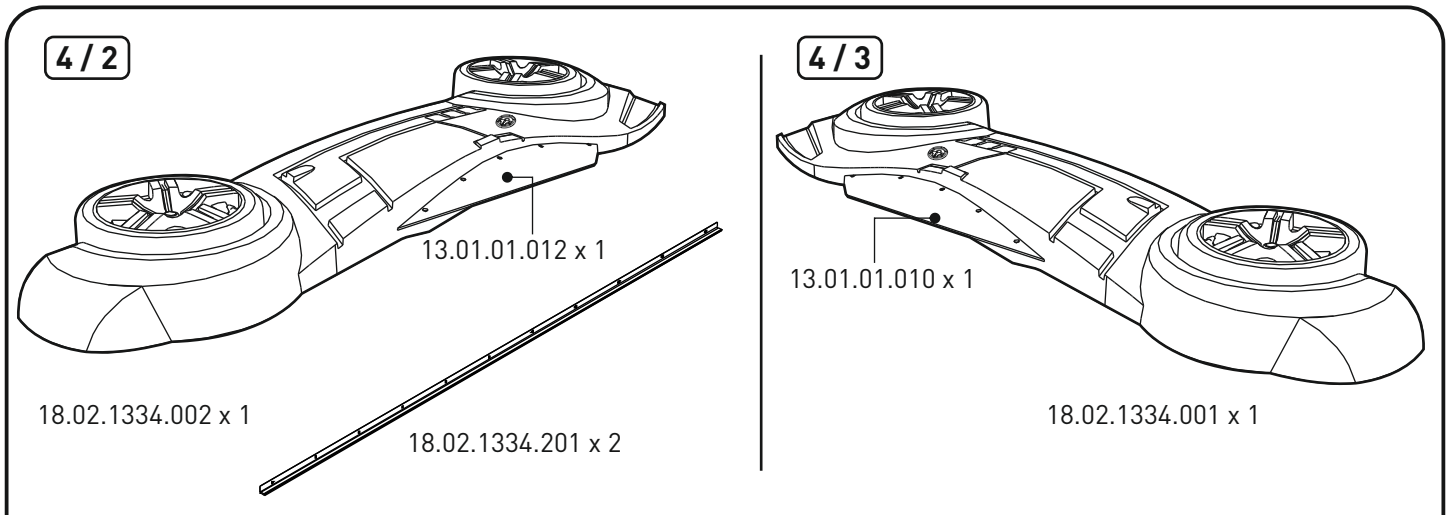
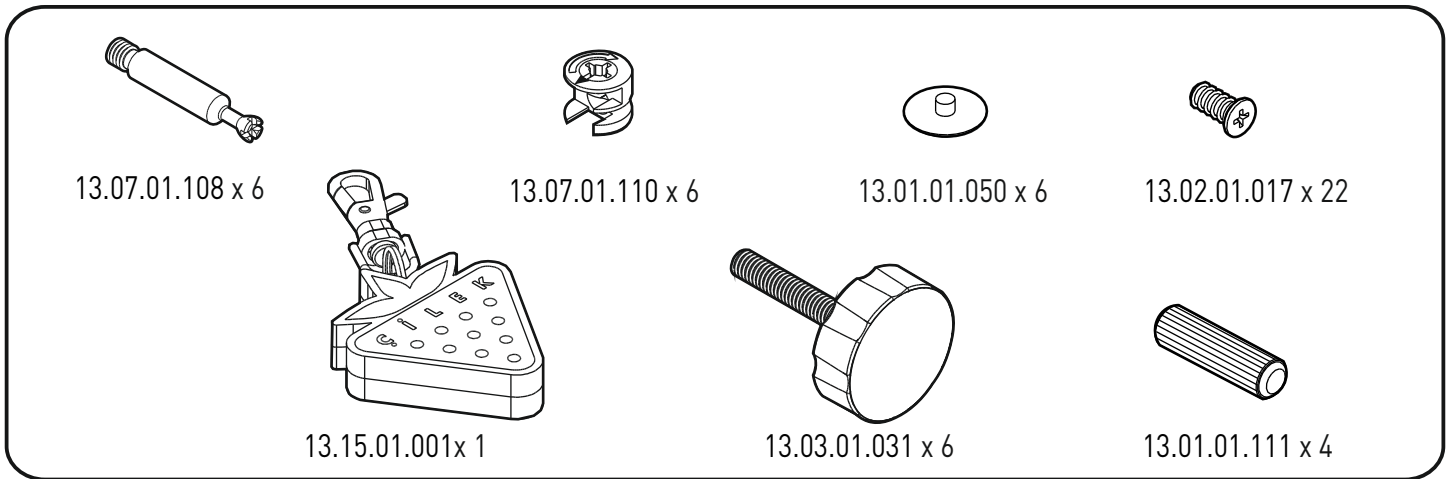
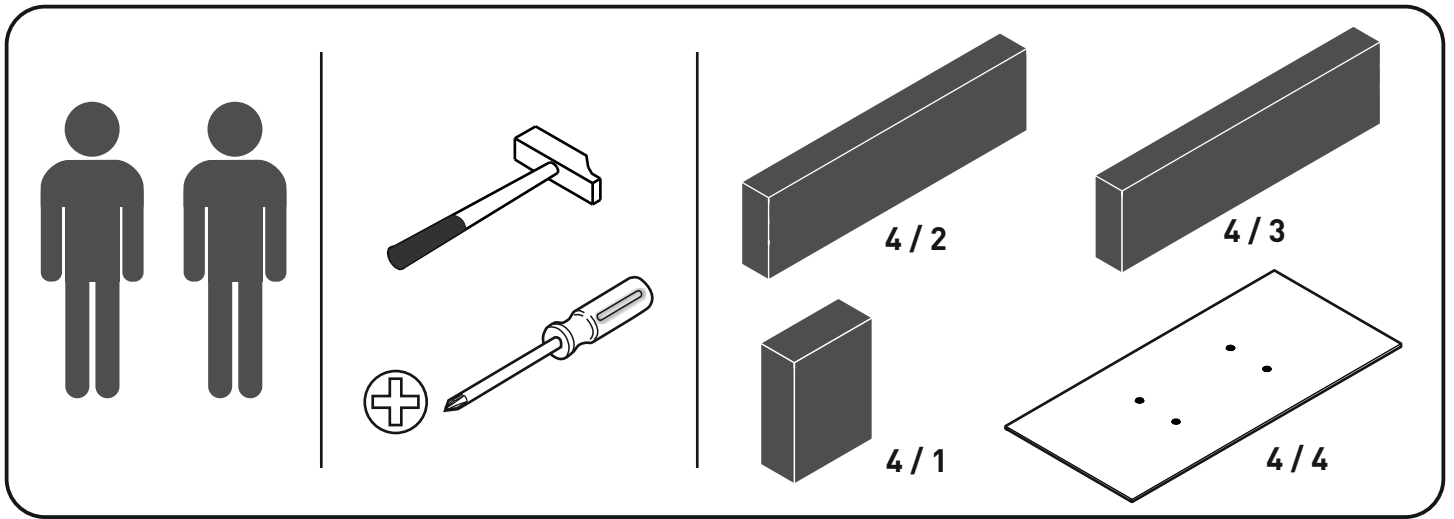
GARANTİ BELGESİ VE  
KULLANMA KILAVUZU



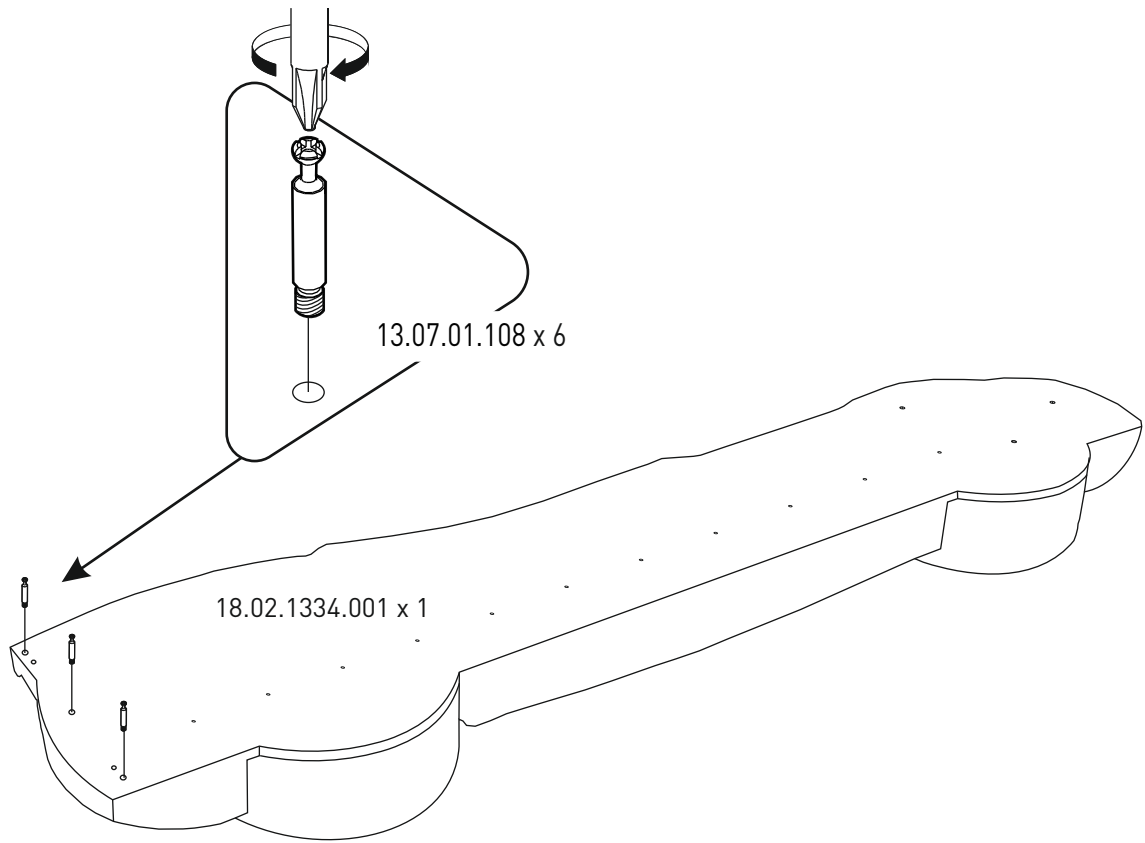
WARRANTY CERTIFICATE  
AND USER MANUAL

شهادة الضمان ودليل المستخدم

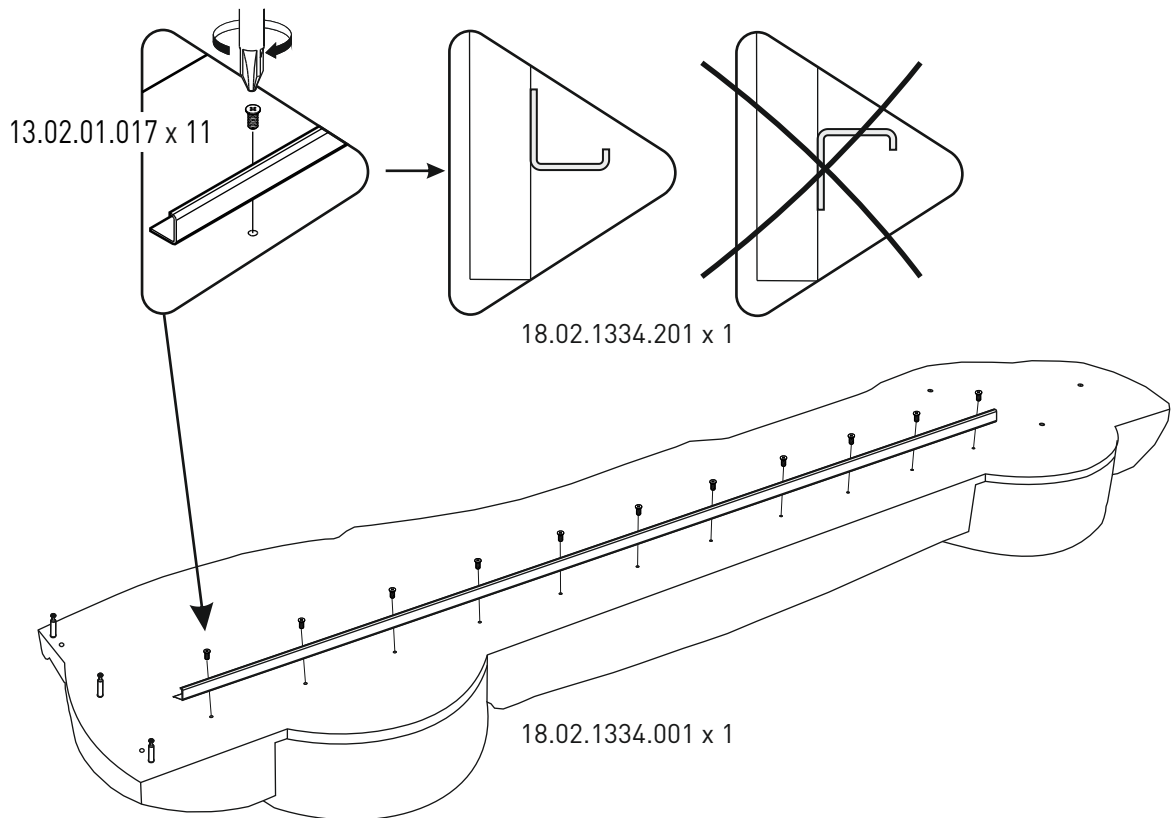




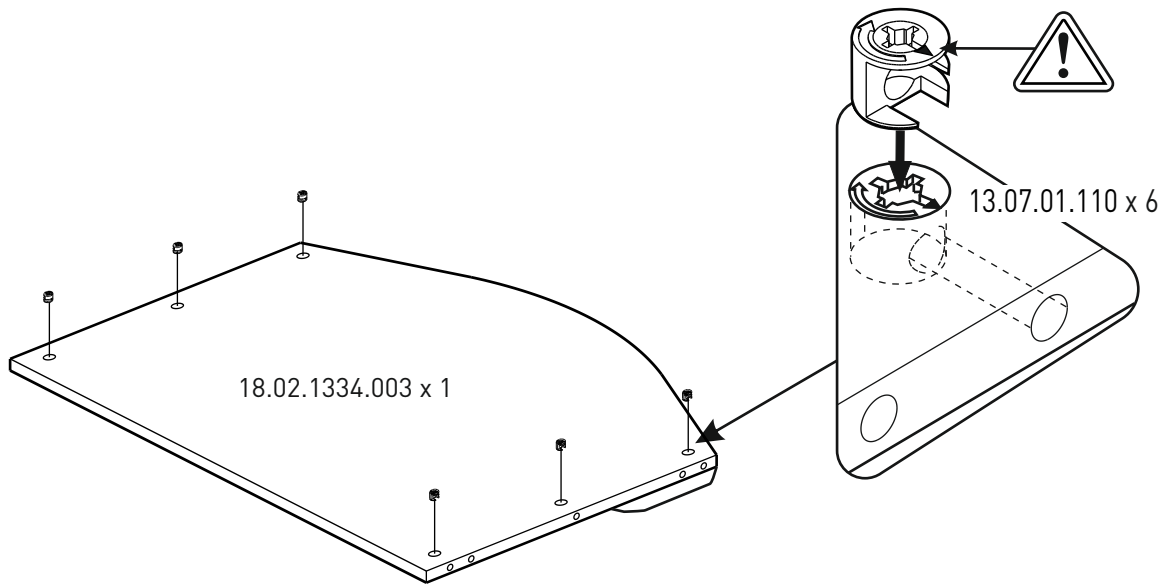
1



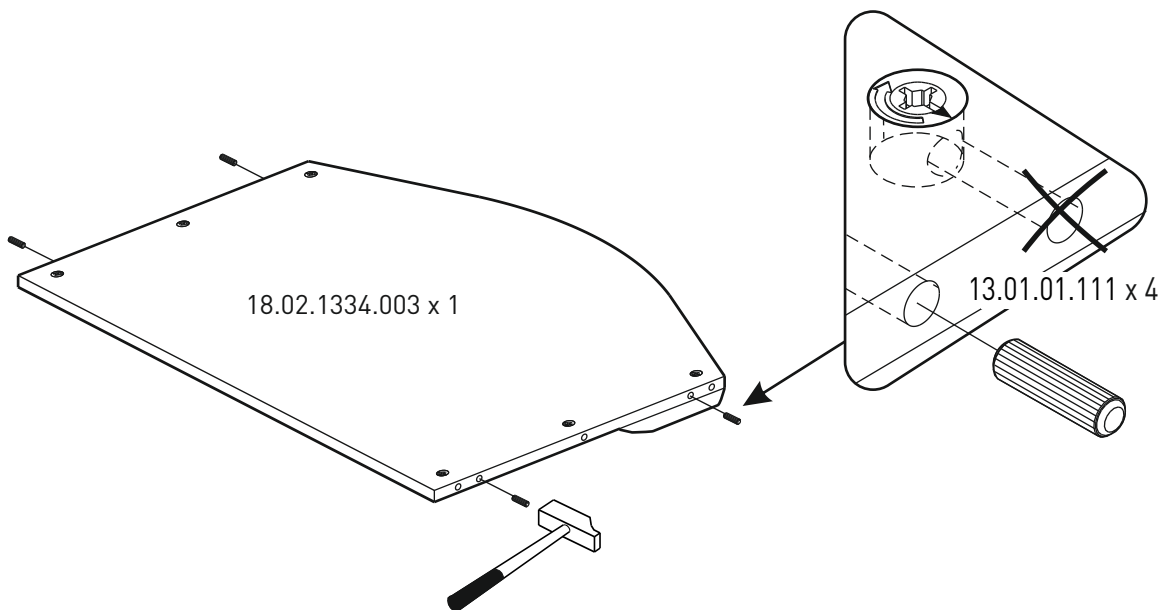
2



3



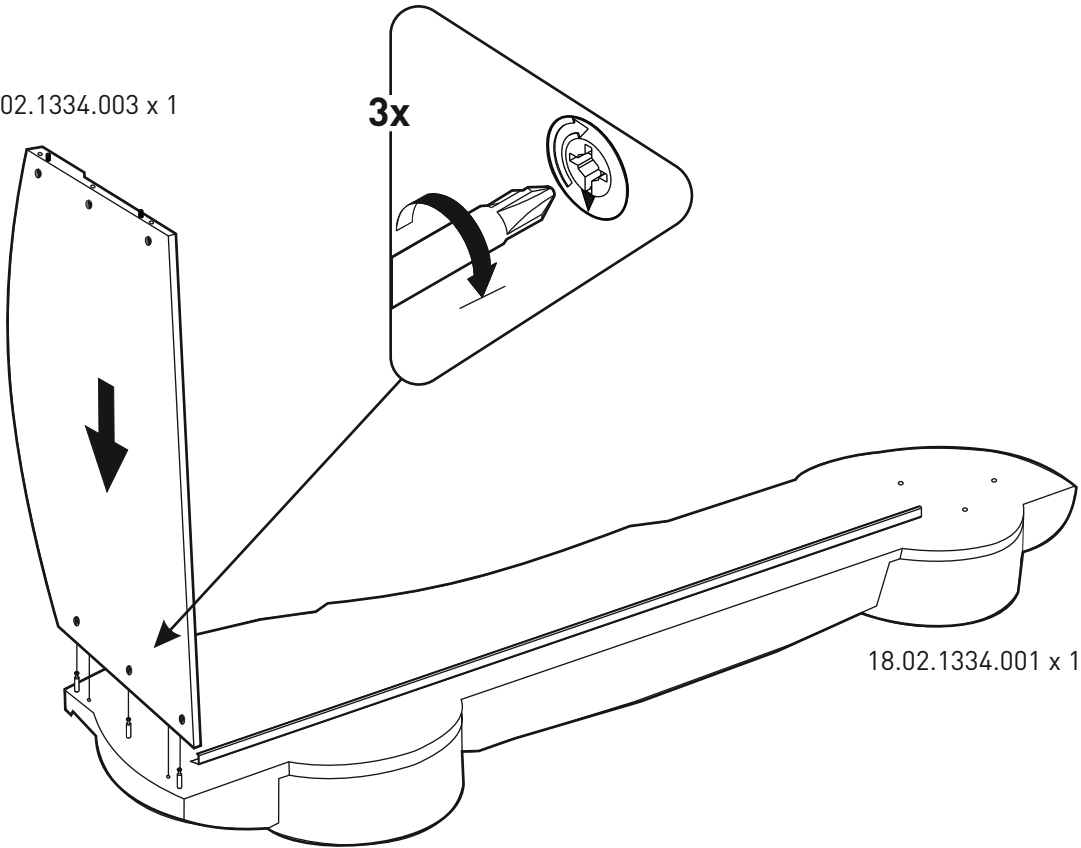
4



5

18.02.1334.003 x 1

3x



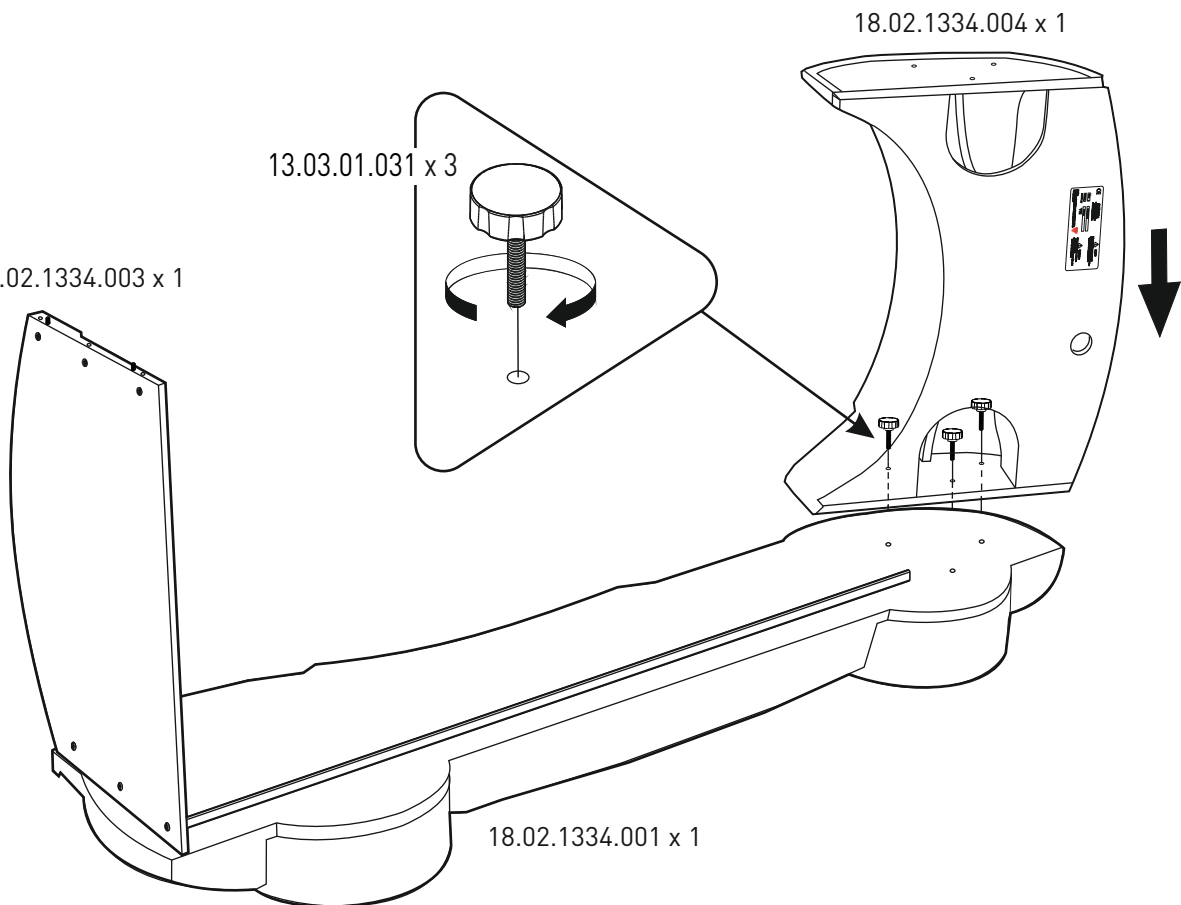
18.02.1334.001 x 1

6

18.02.1334.003 x 1

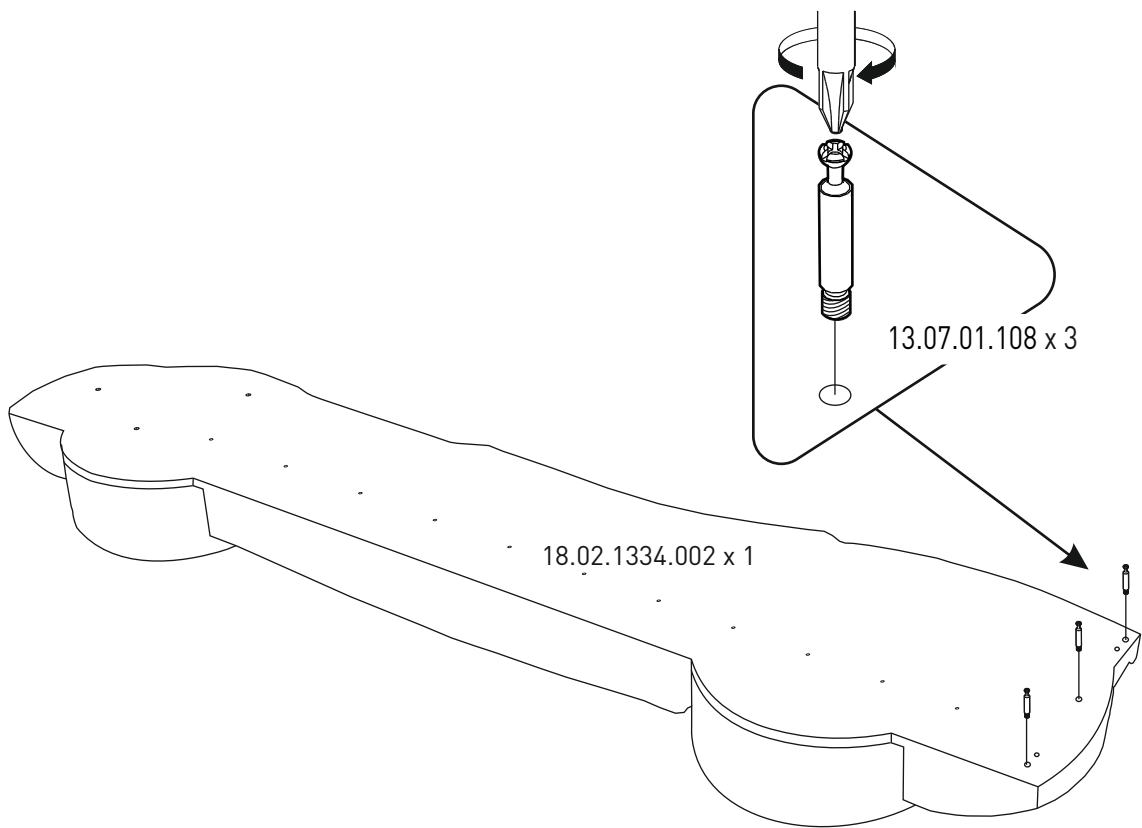
13.03.01.031 x 3

18.02.1334.004 x 1

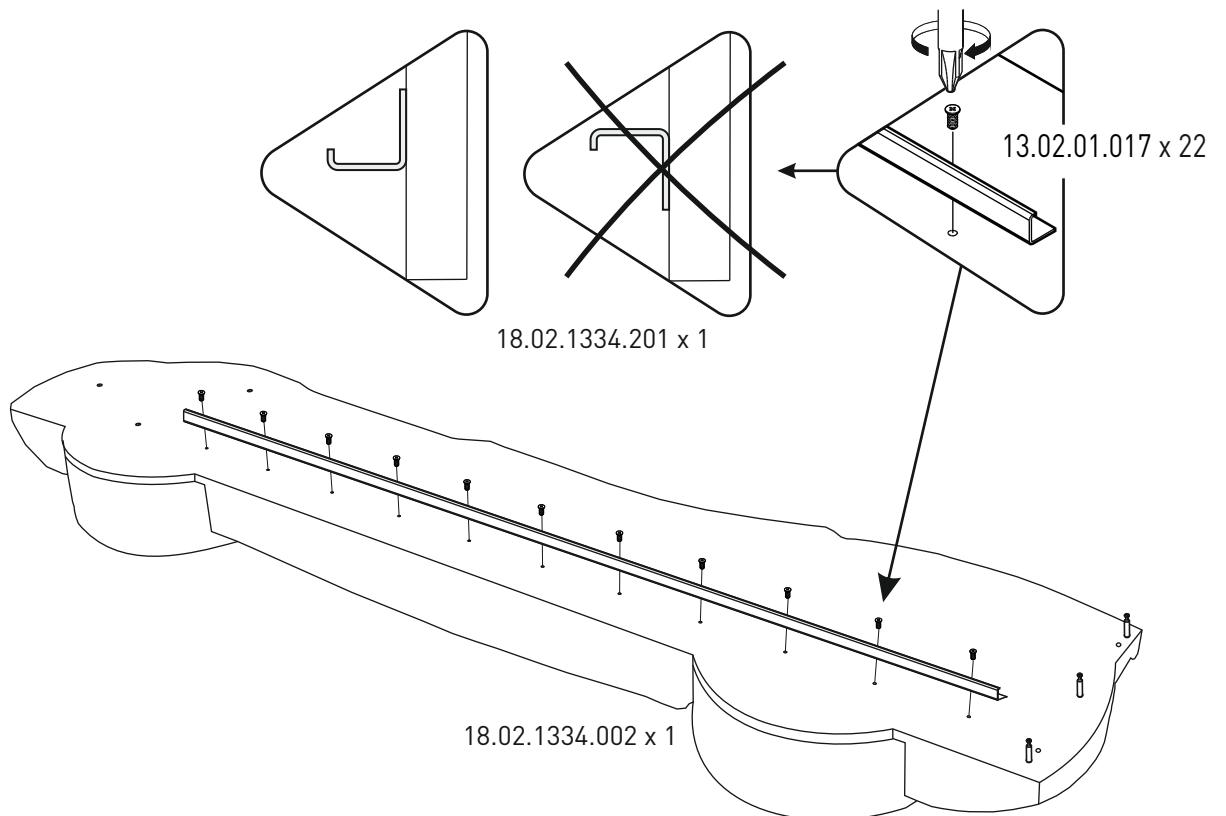


18.02.1334.001 x 1

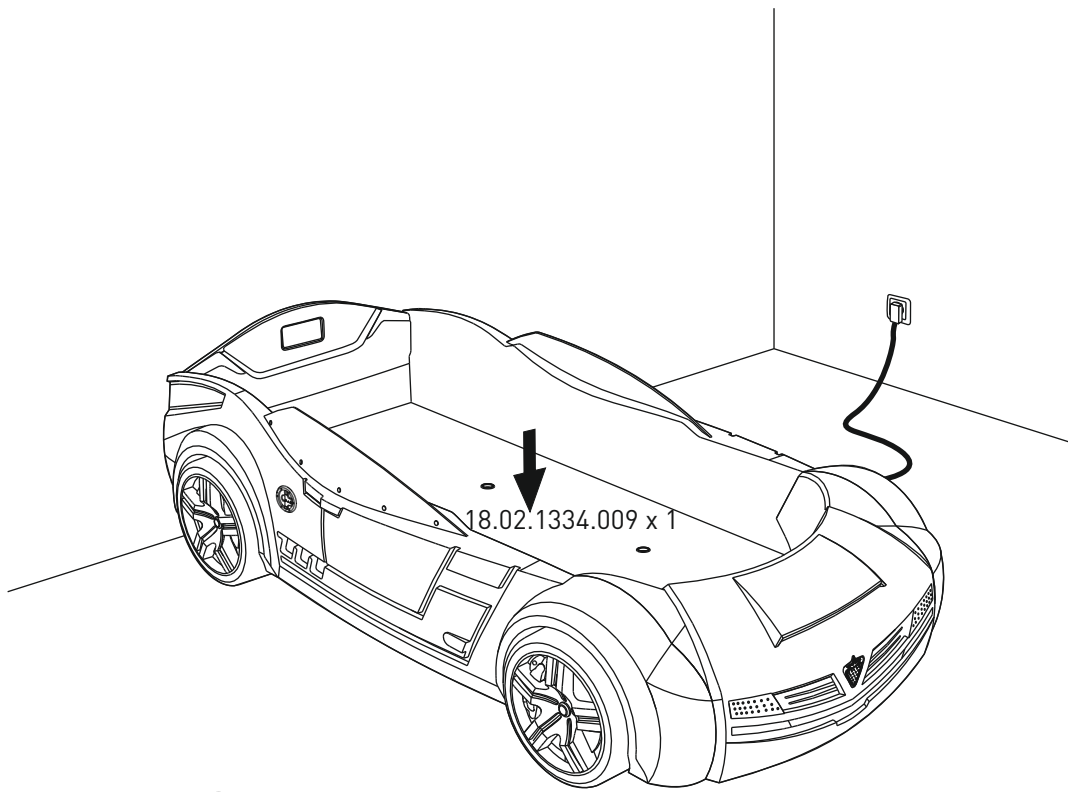
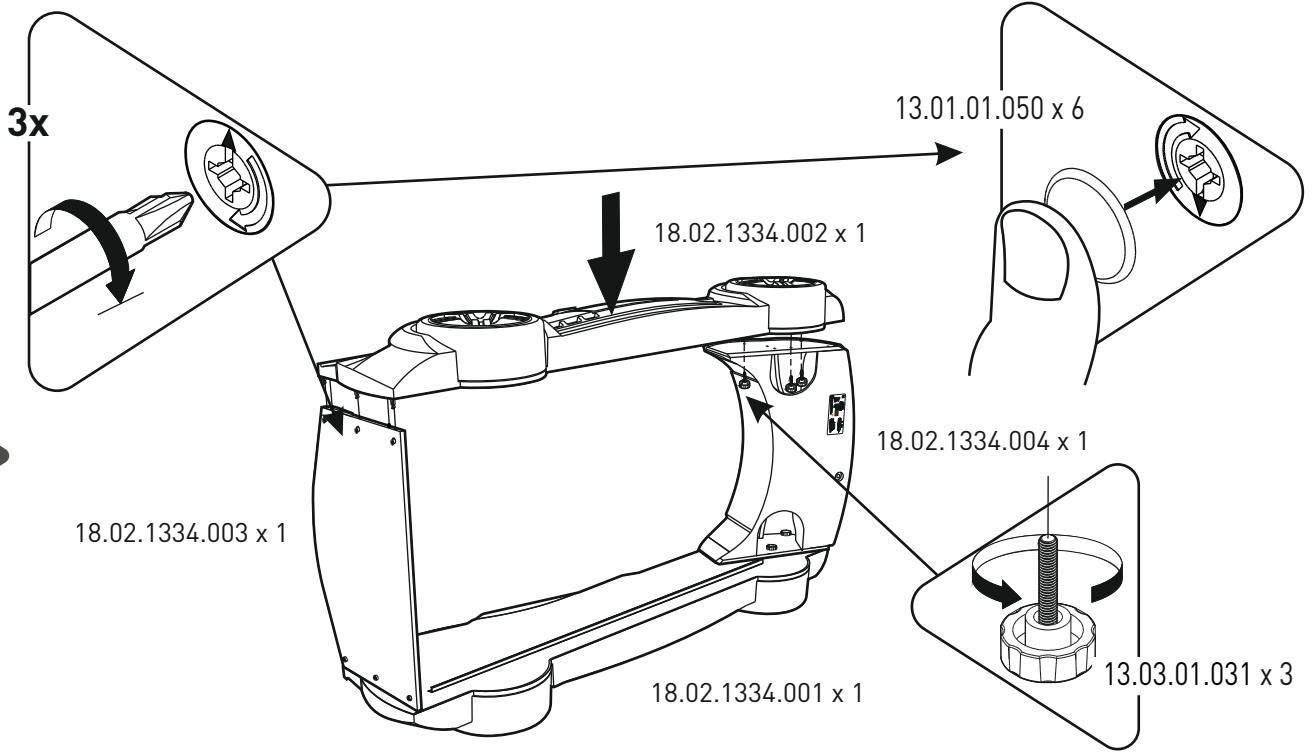
7



8

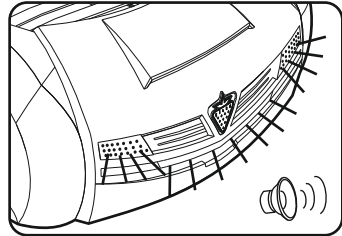
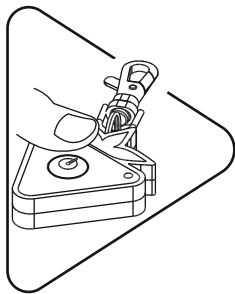


9



10

1



13.15.01.001x 1

2

