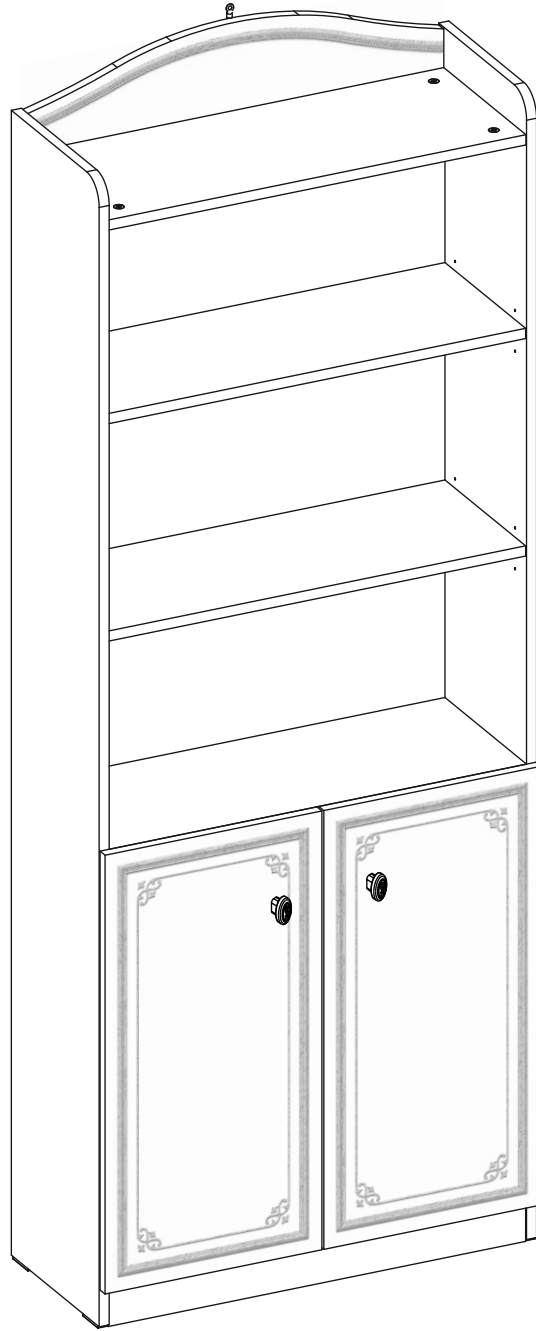
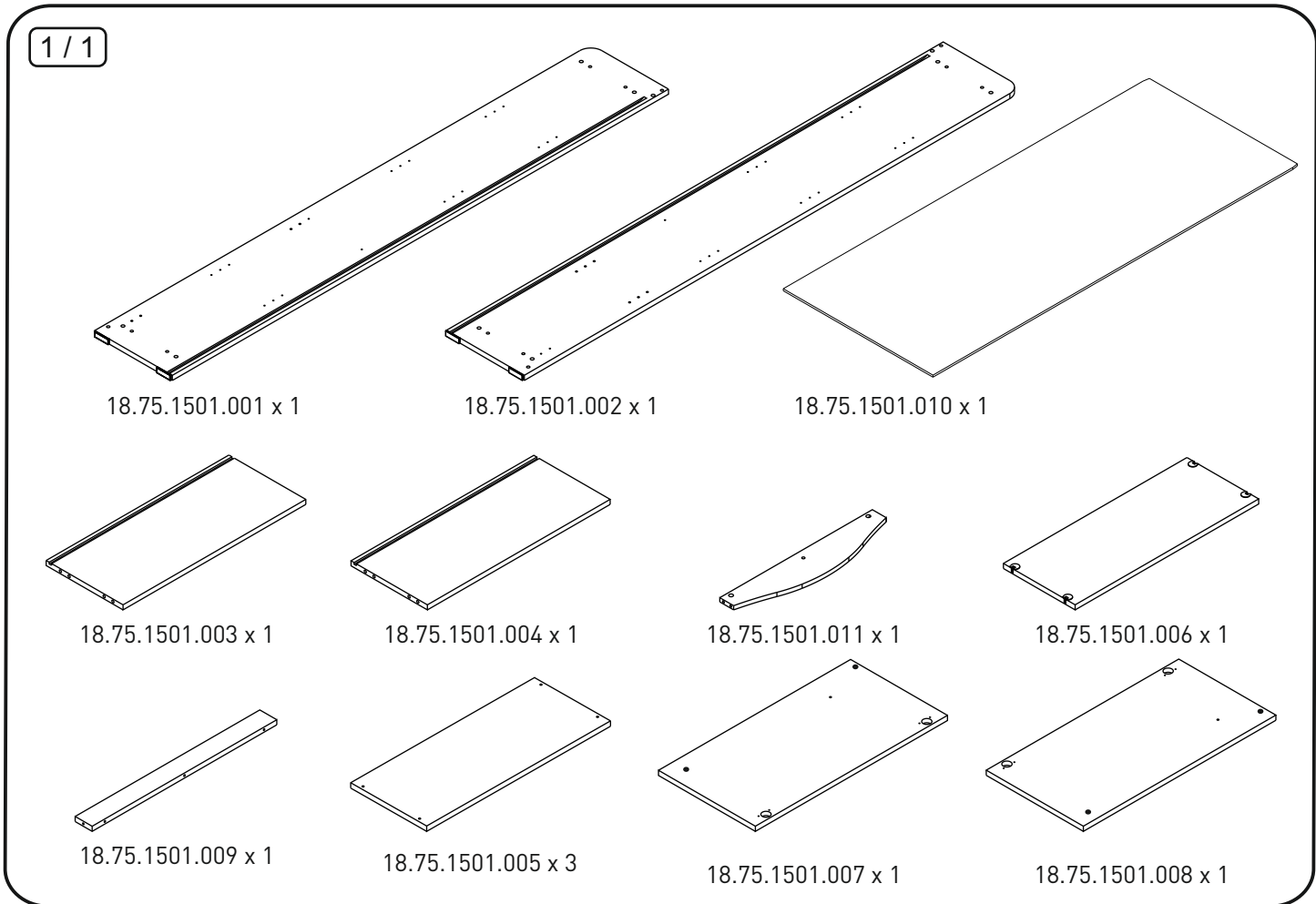
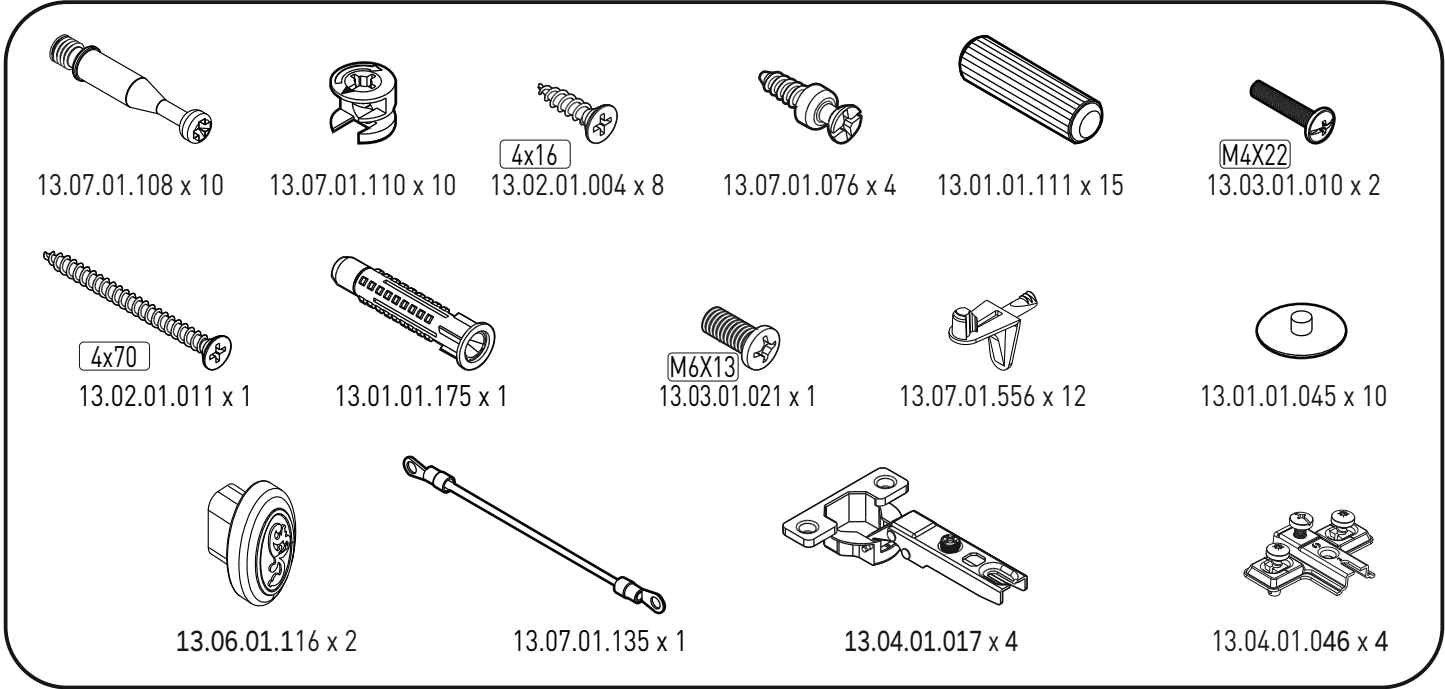
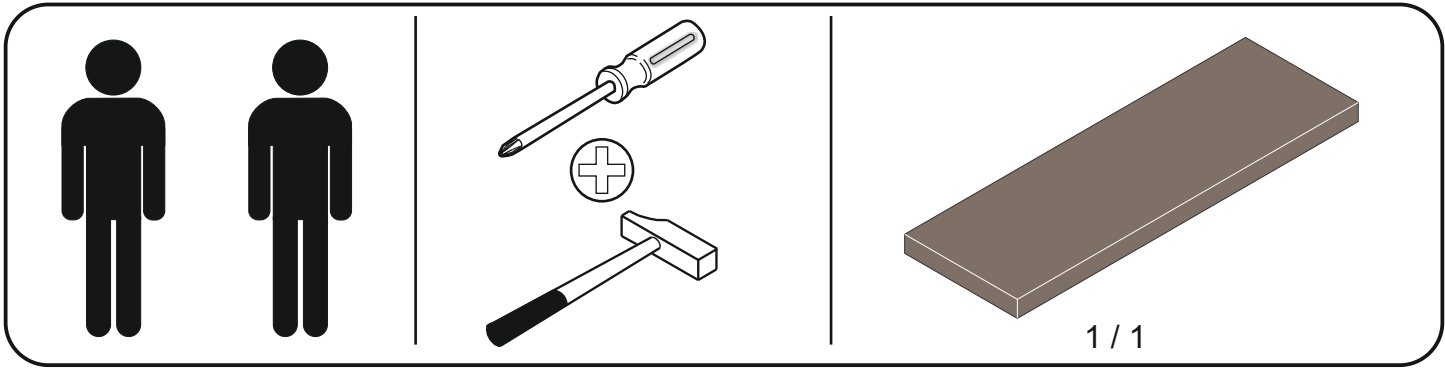
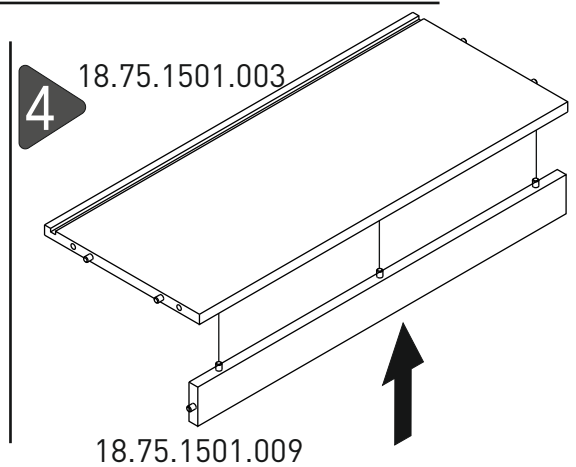
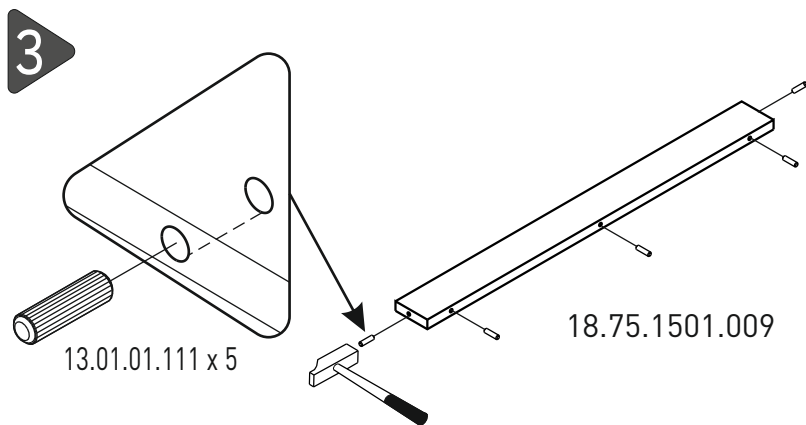
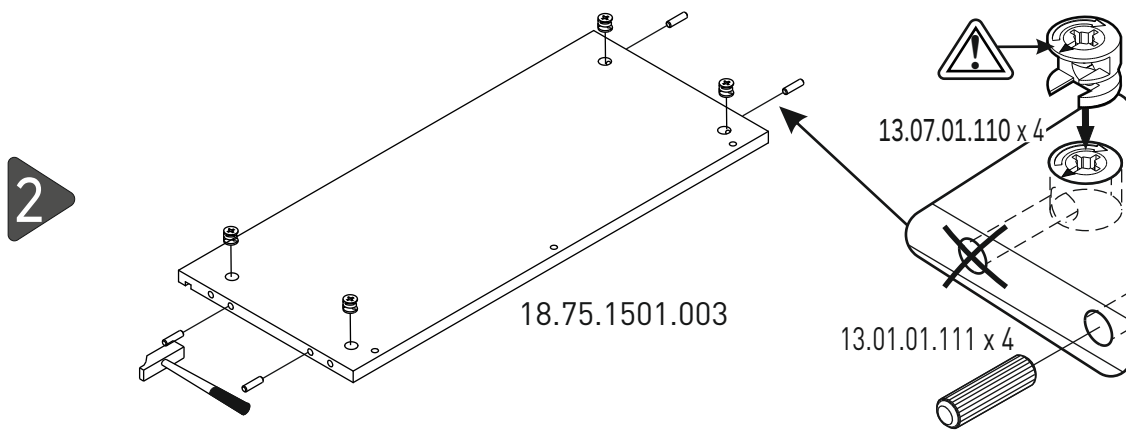
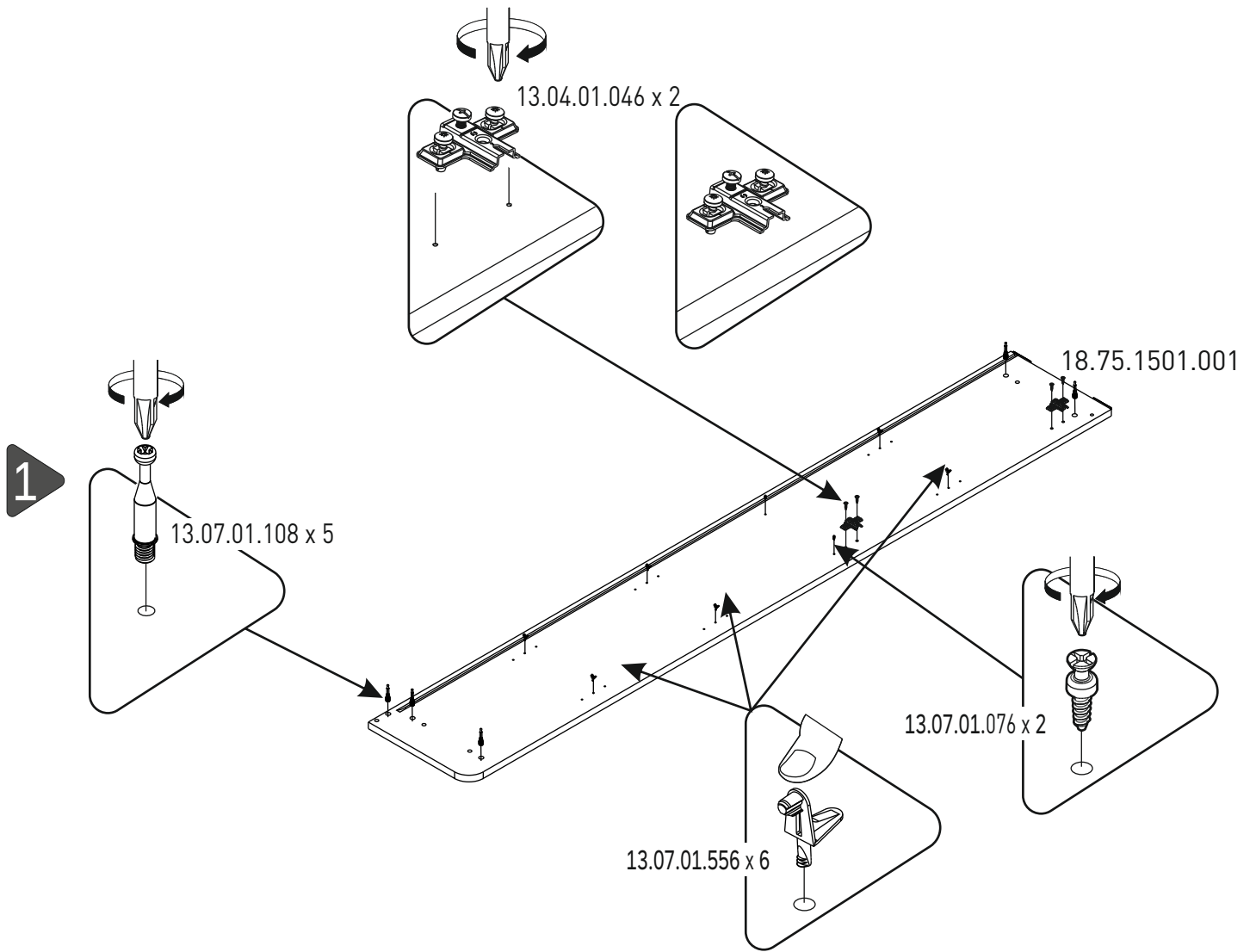


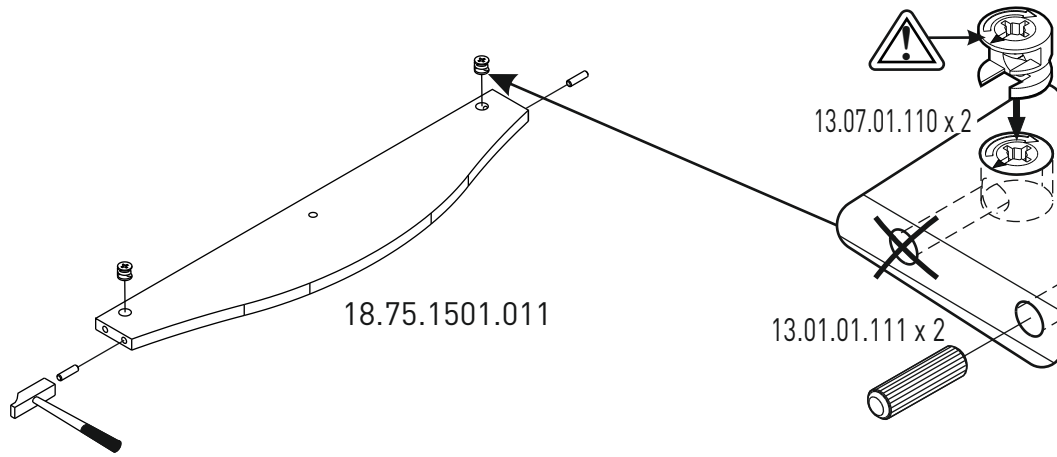
20.75.1501.00



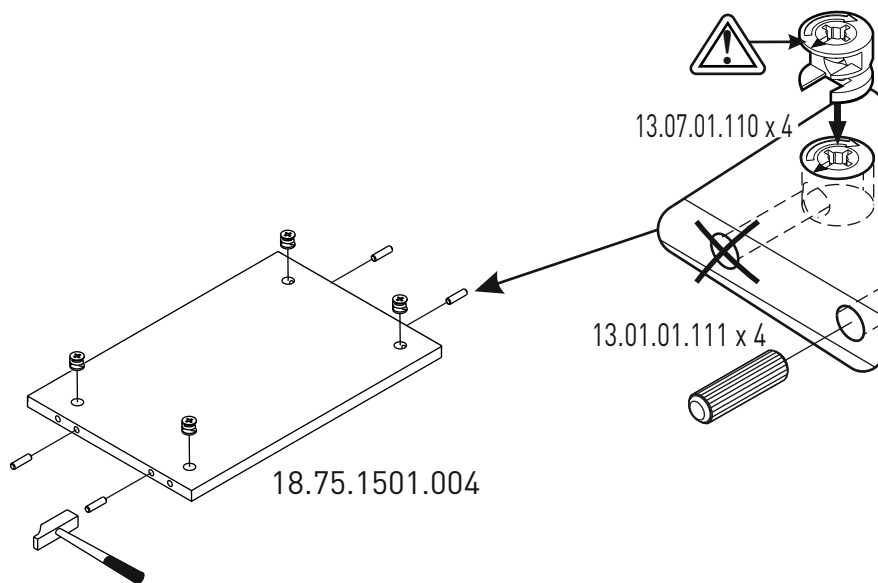




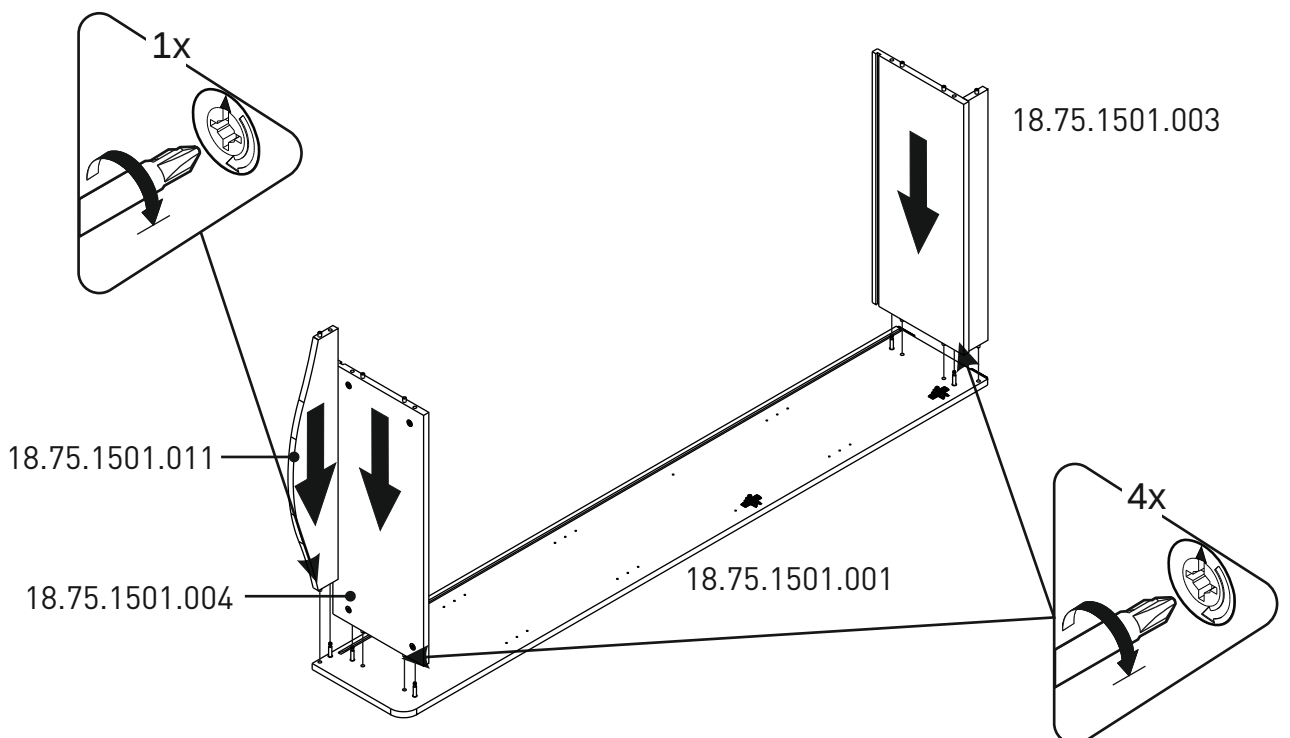
5



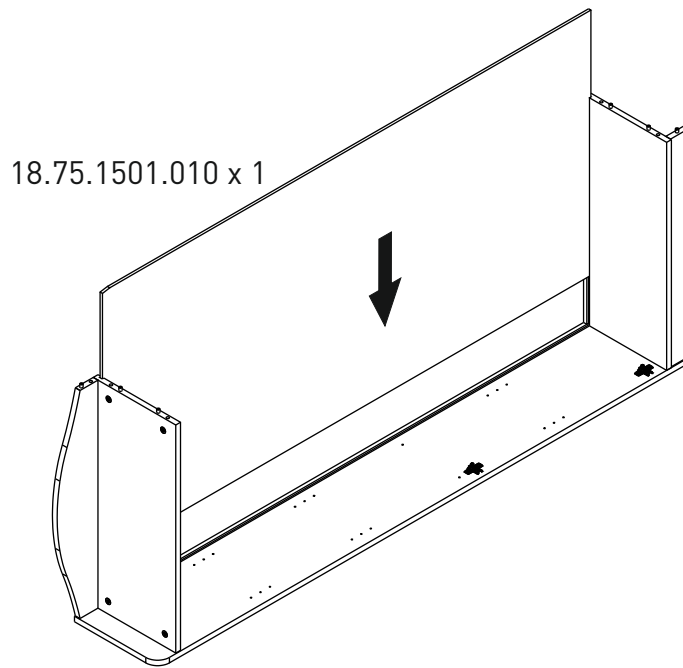
6



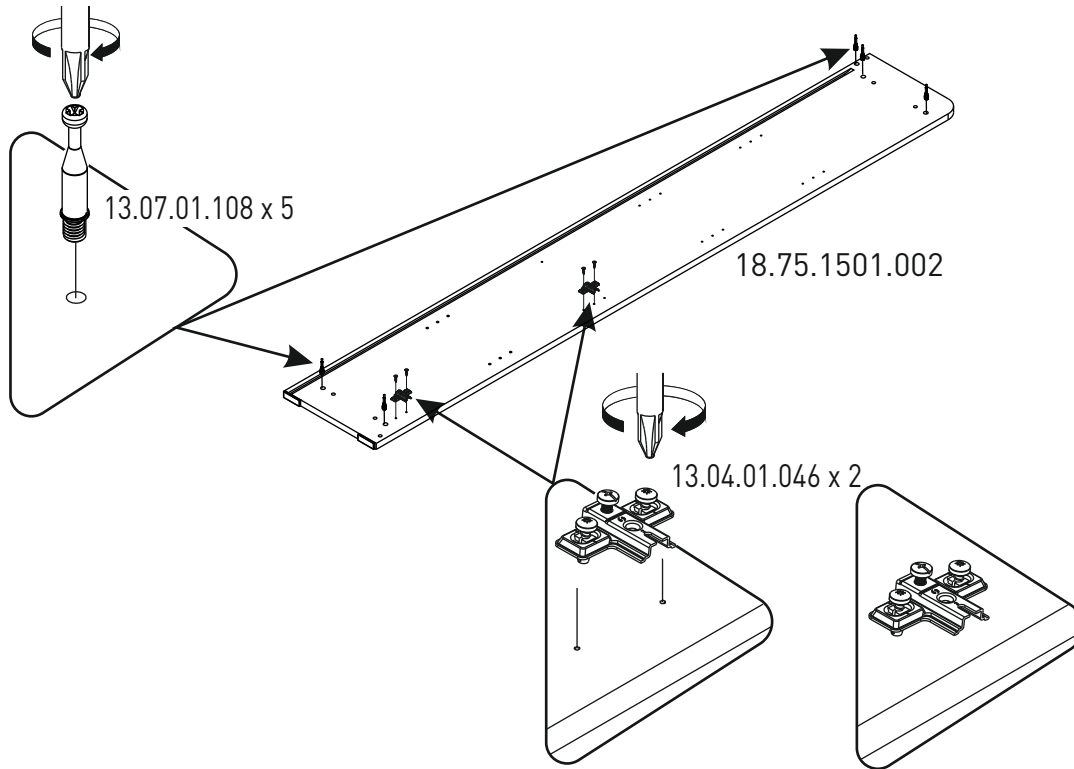
7



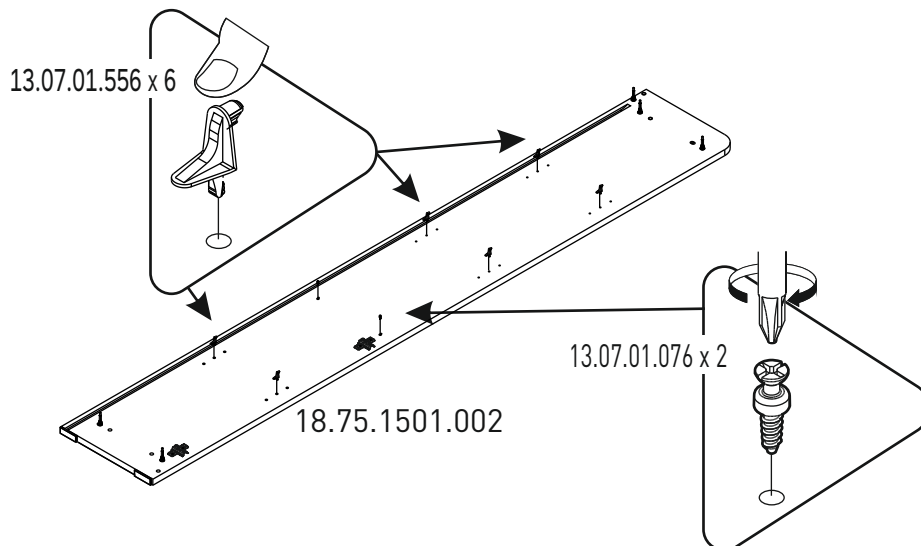
8



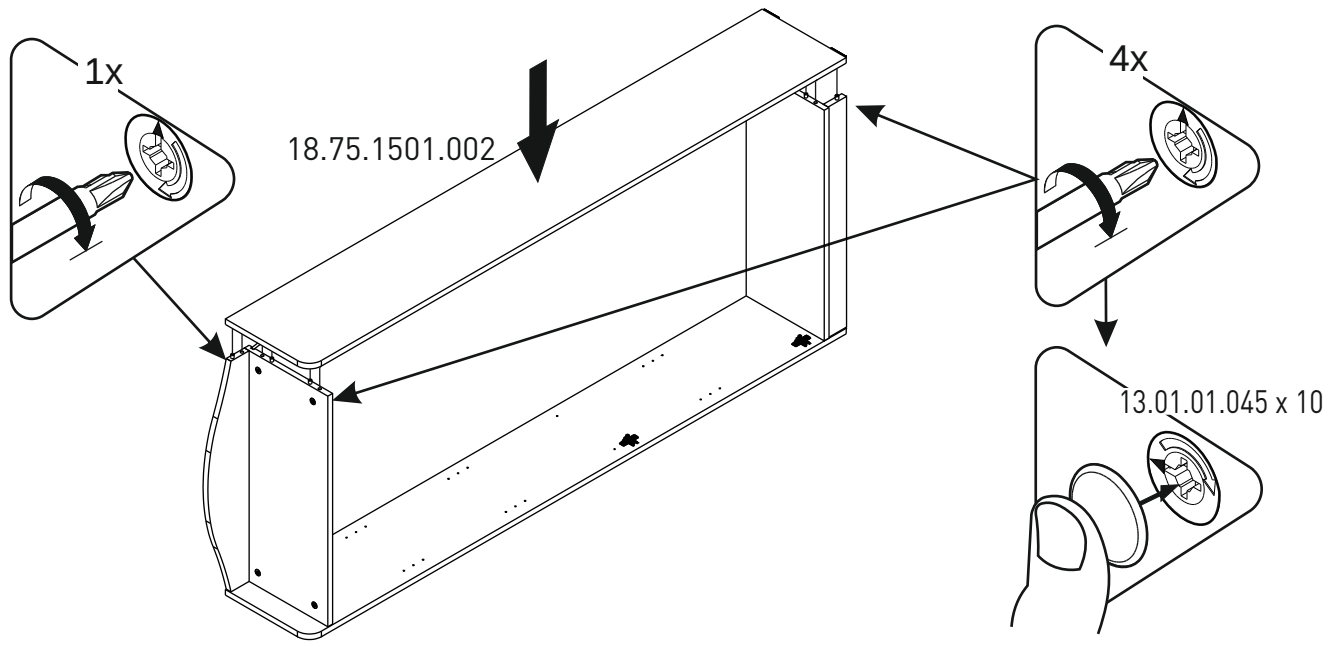
9



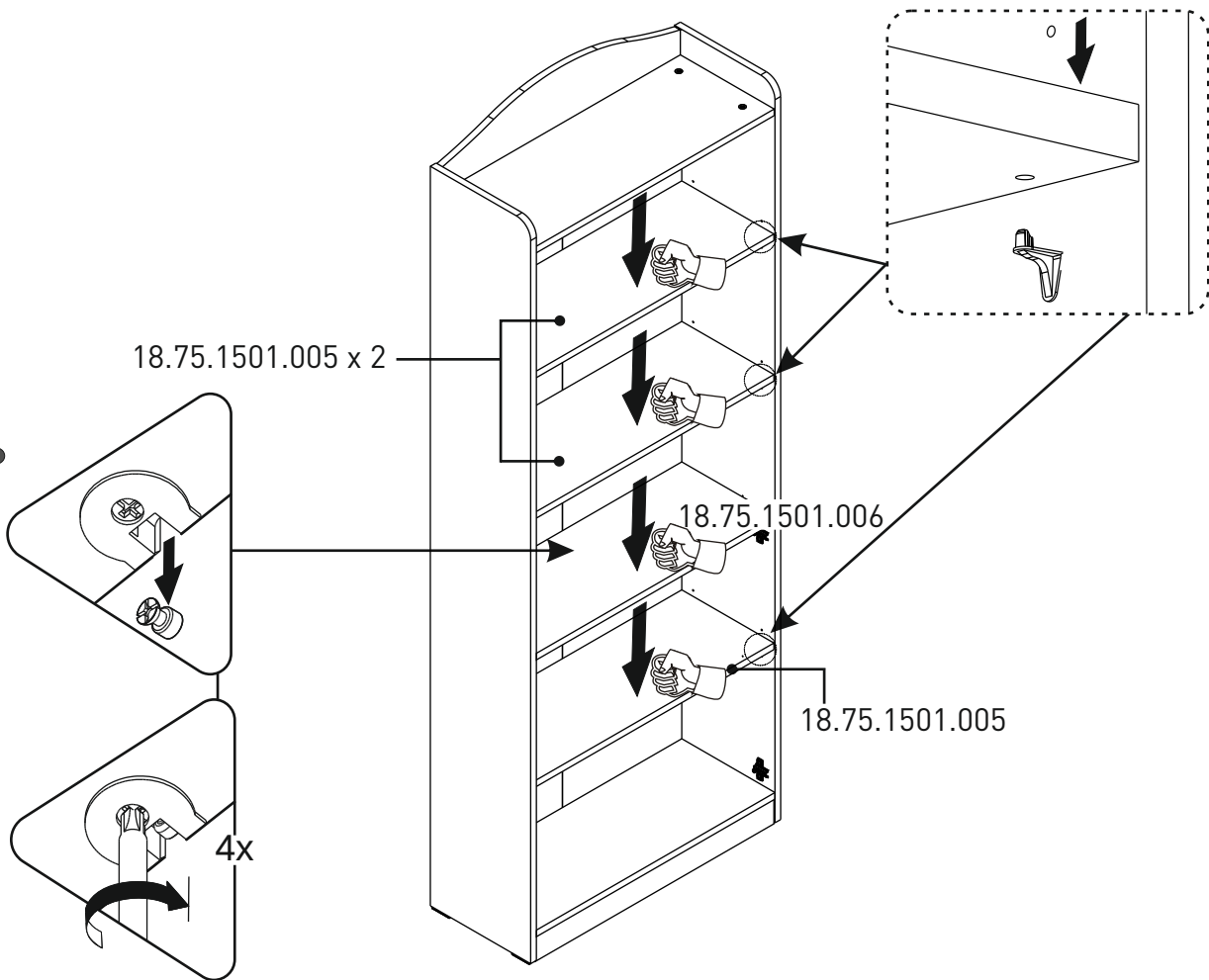
10



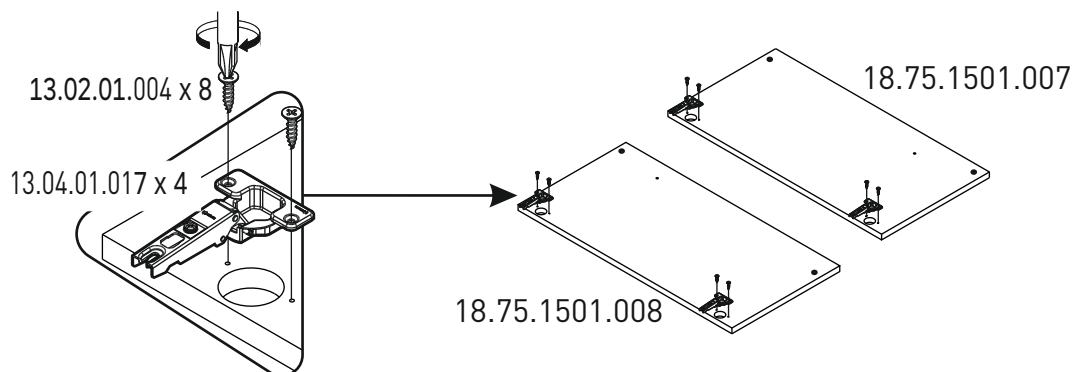
11



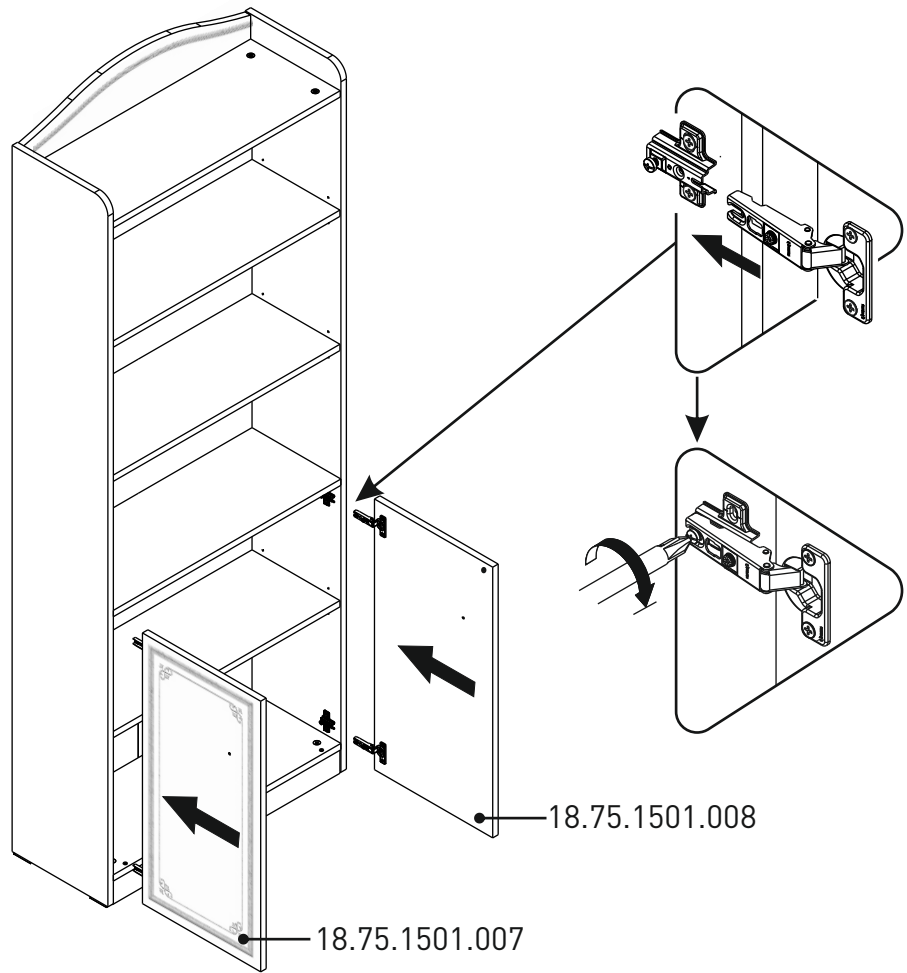
12



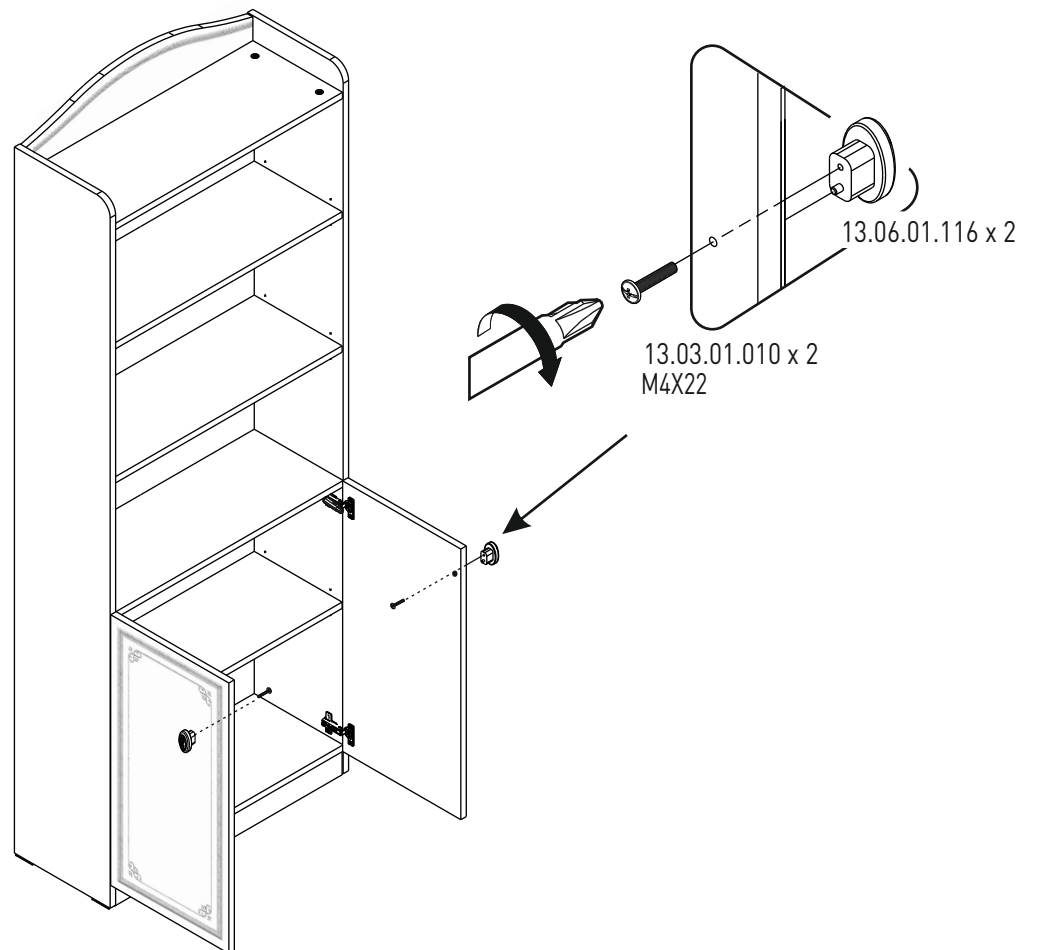
13



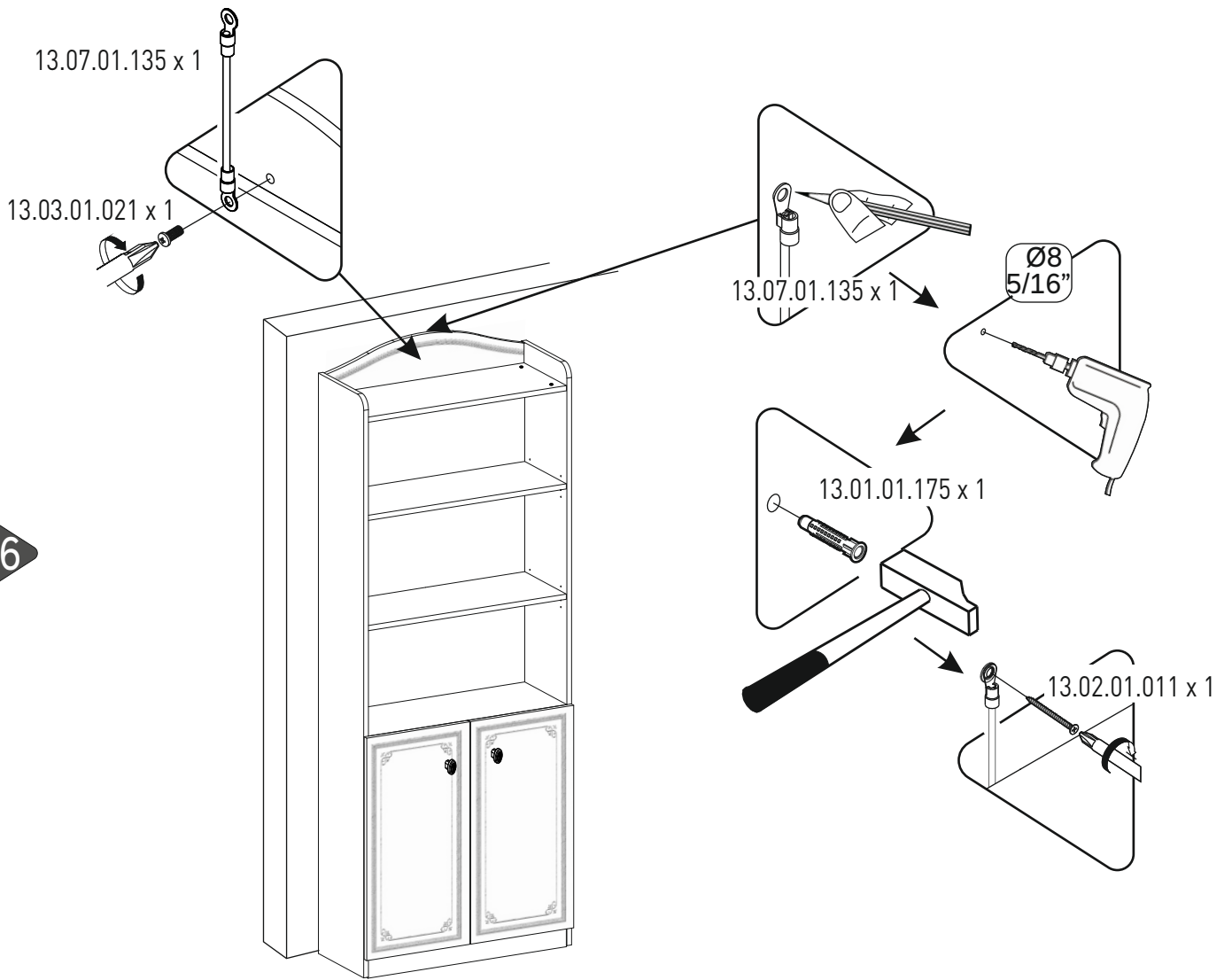
14



15



16



17

