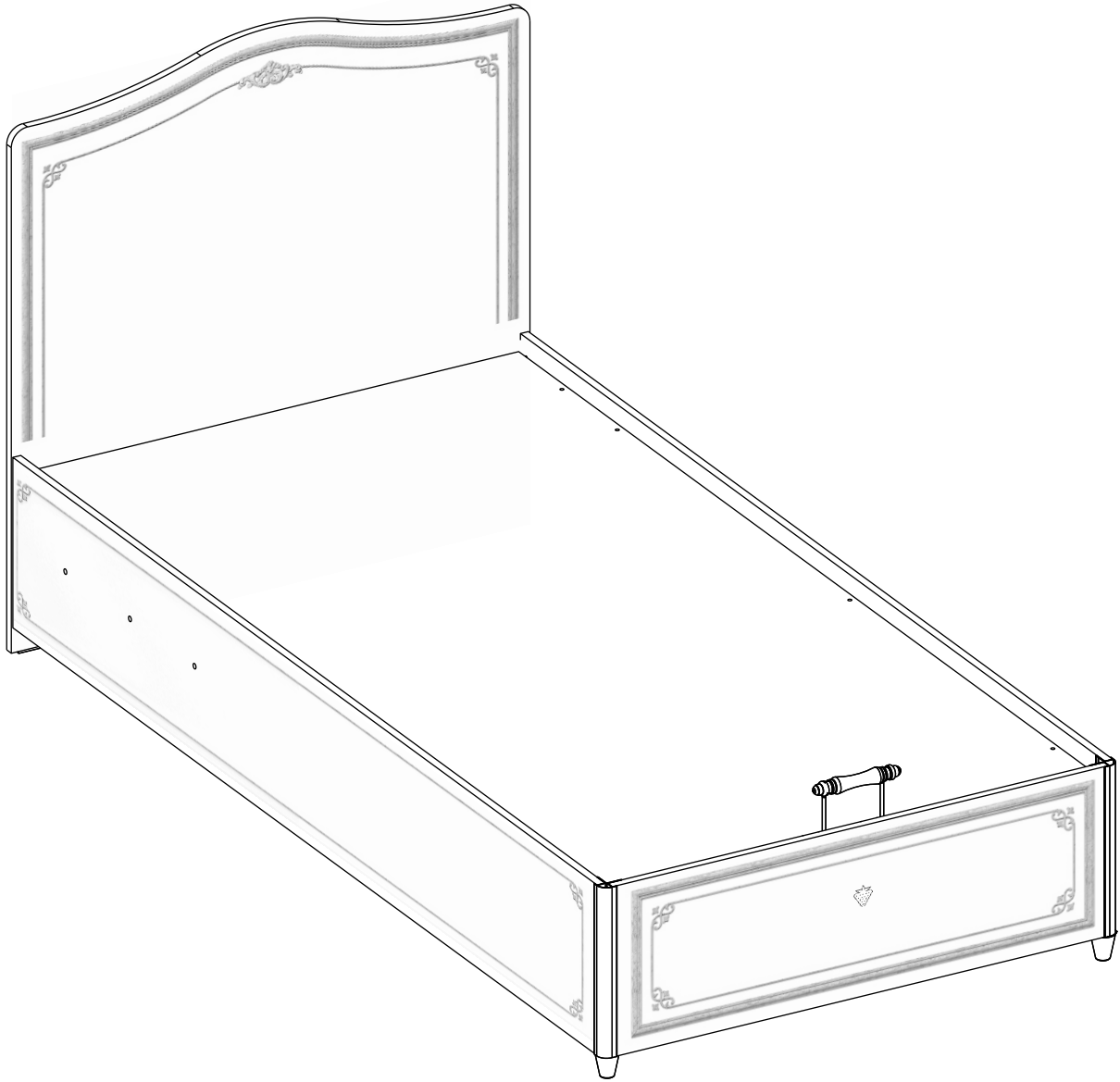
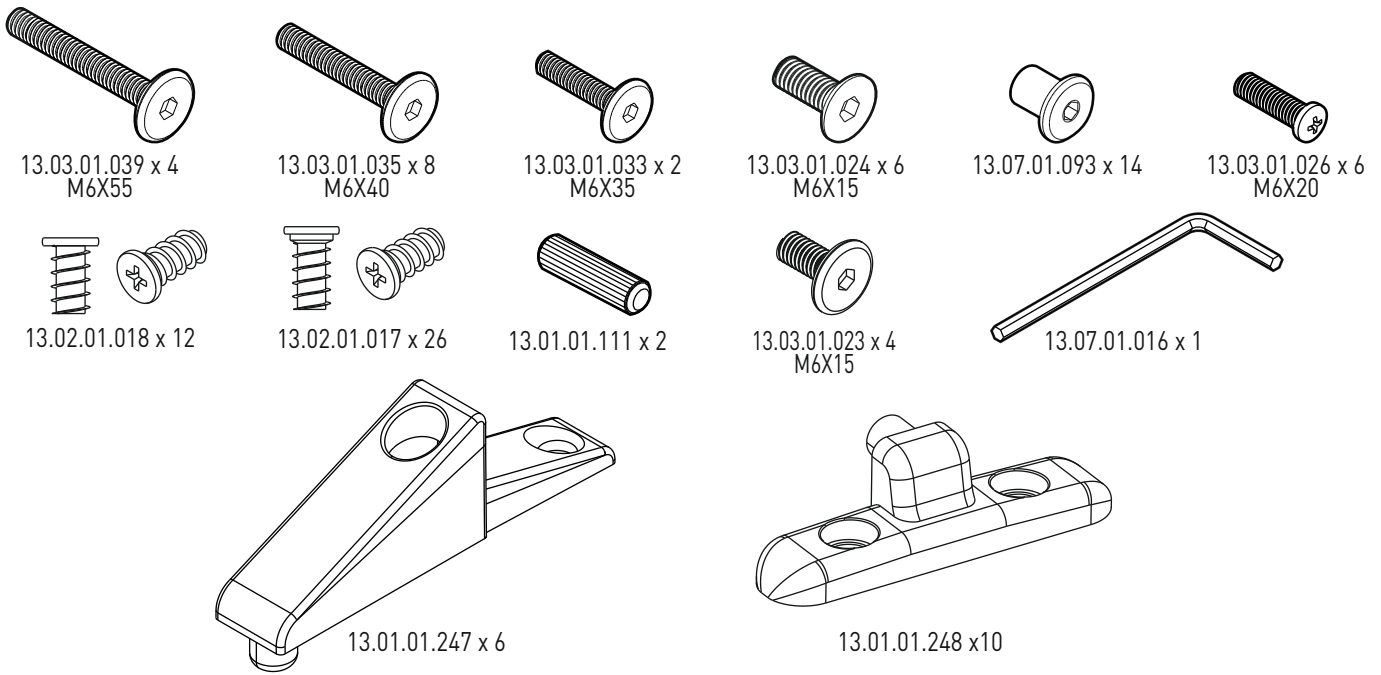
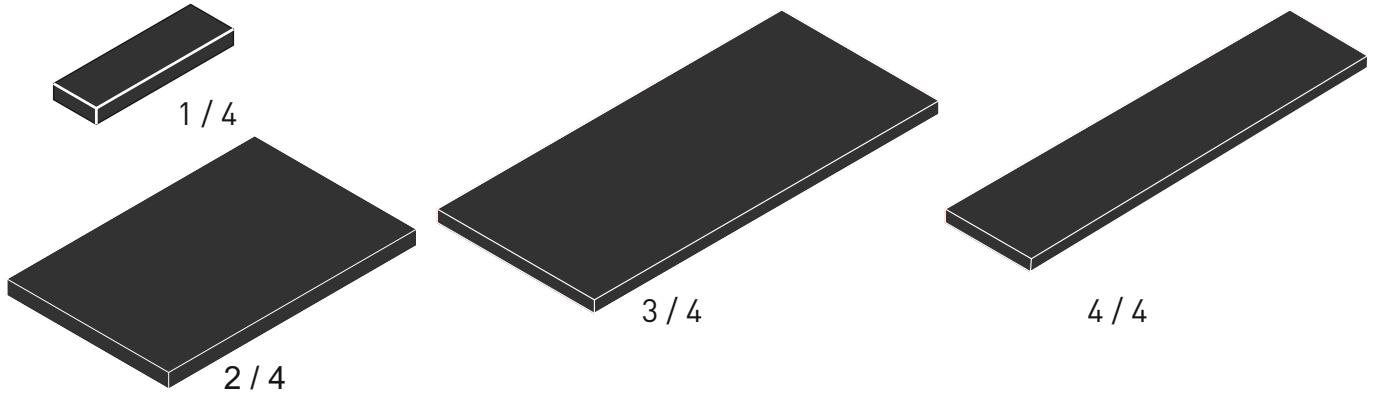
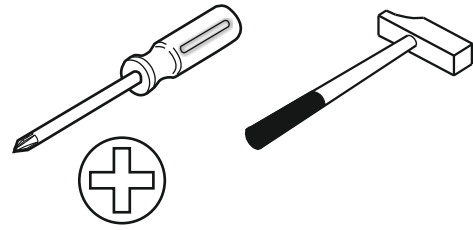
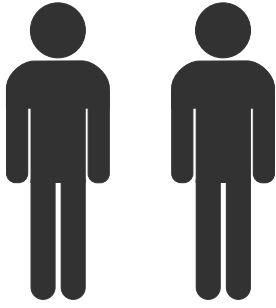
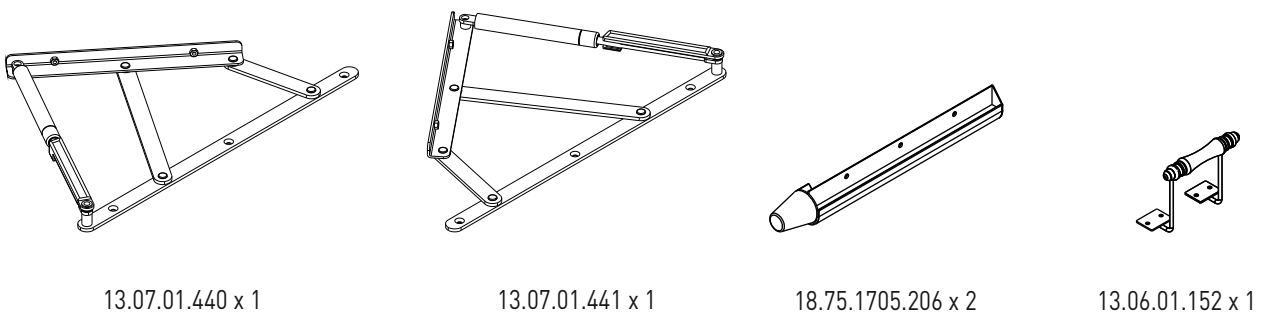


20.75.1705.00

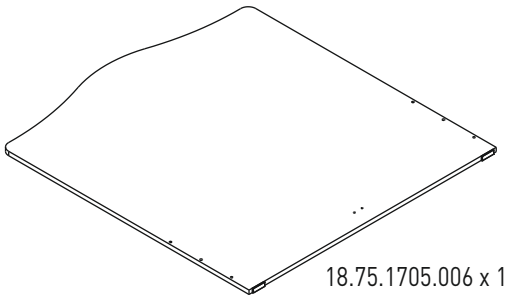




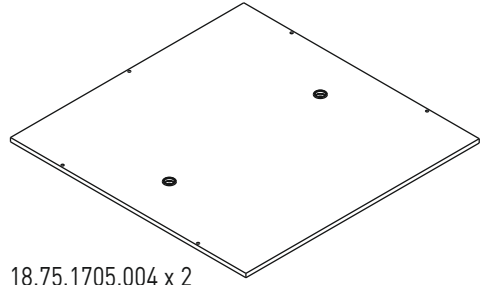
1/4



2/4

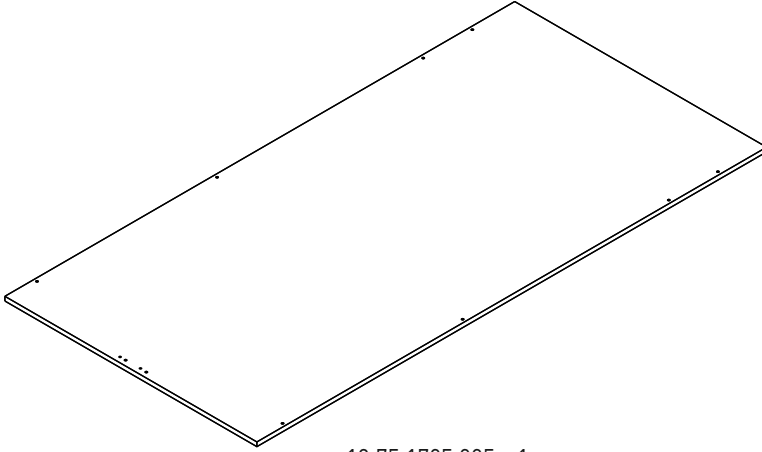


18.75.1705.006 x 1



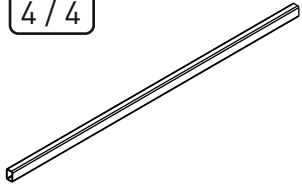
18.75.1705.004 x 2

3/3

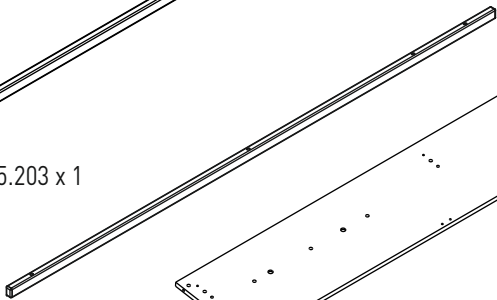


18.75.1705.005 x 1

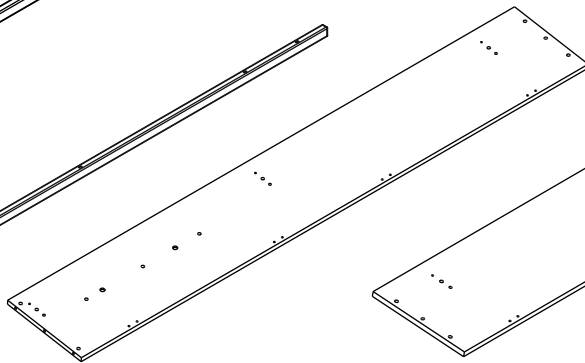
4/4



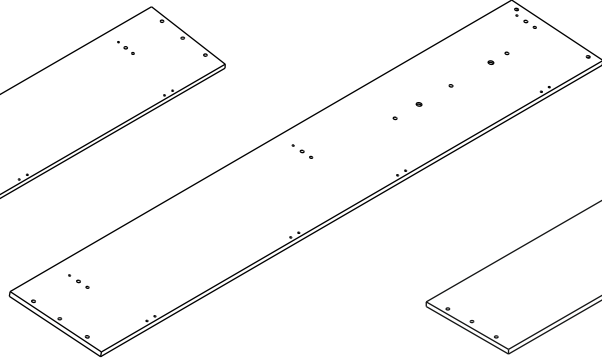
18.75.1705.203 x 1



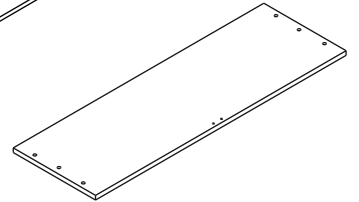
18.75.1705.202 x 2



18.75.1705.001 x 1

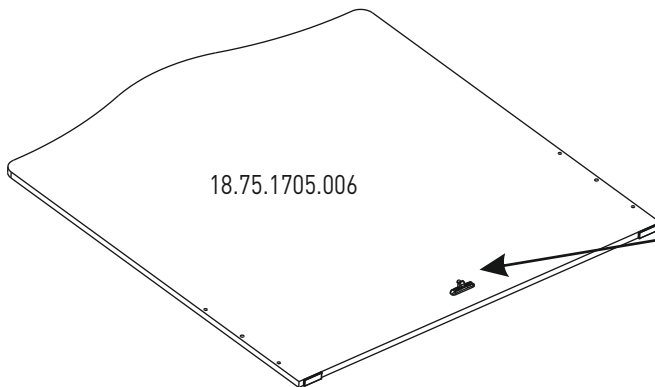


18.75.1705.002 x 1

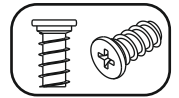
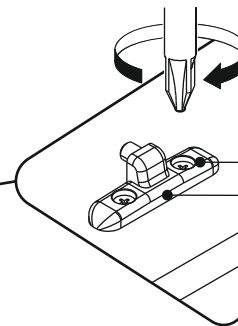


18.75.1705.003 x 1

1



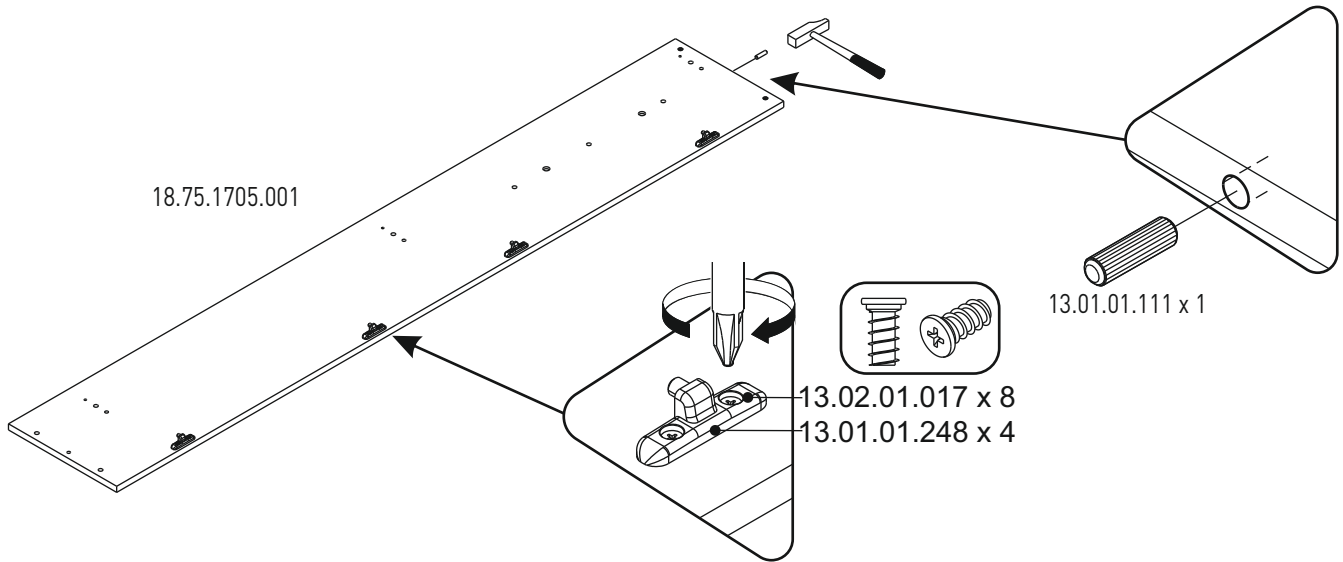
18.75.1705.006



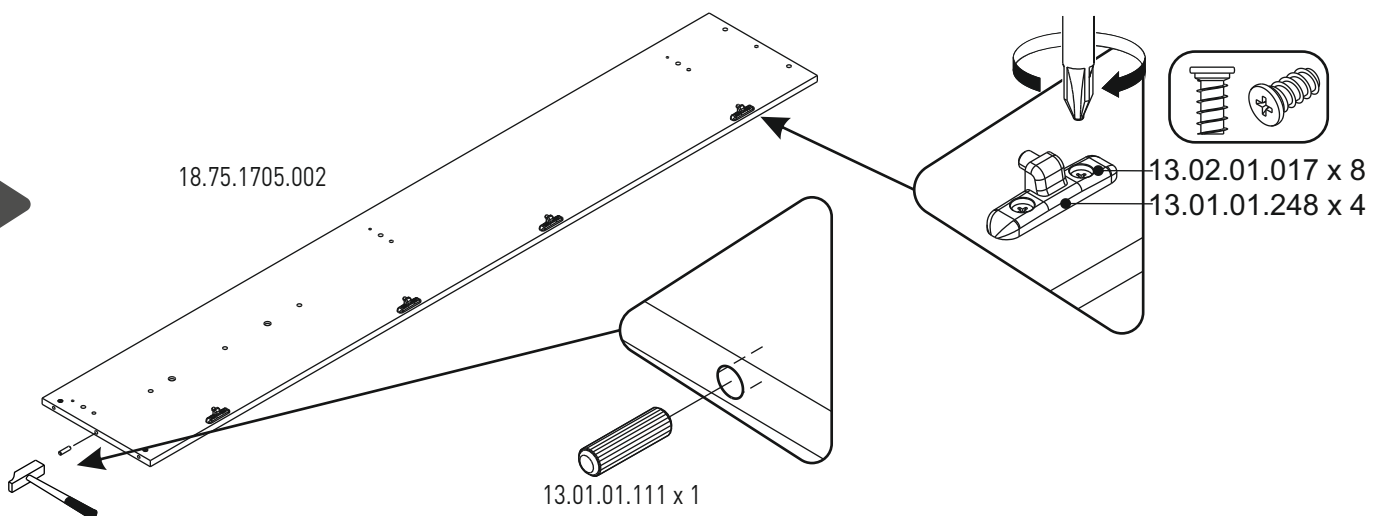
13.02.01.017 x 2

13.01.01.248 x 1

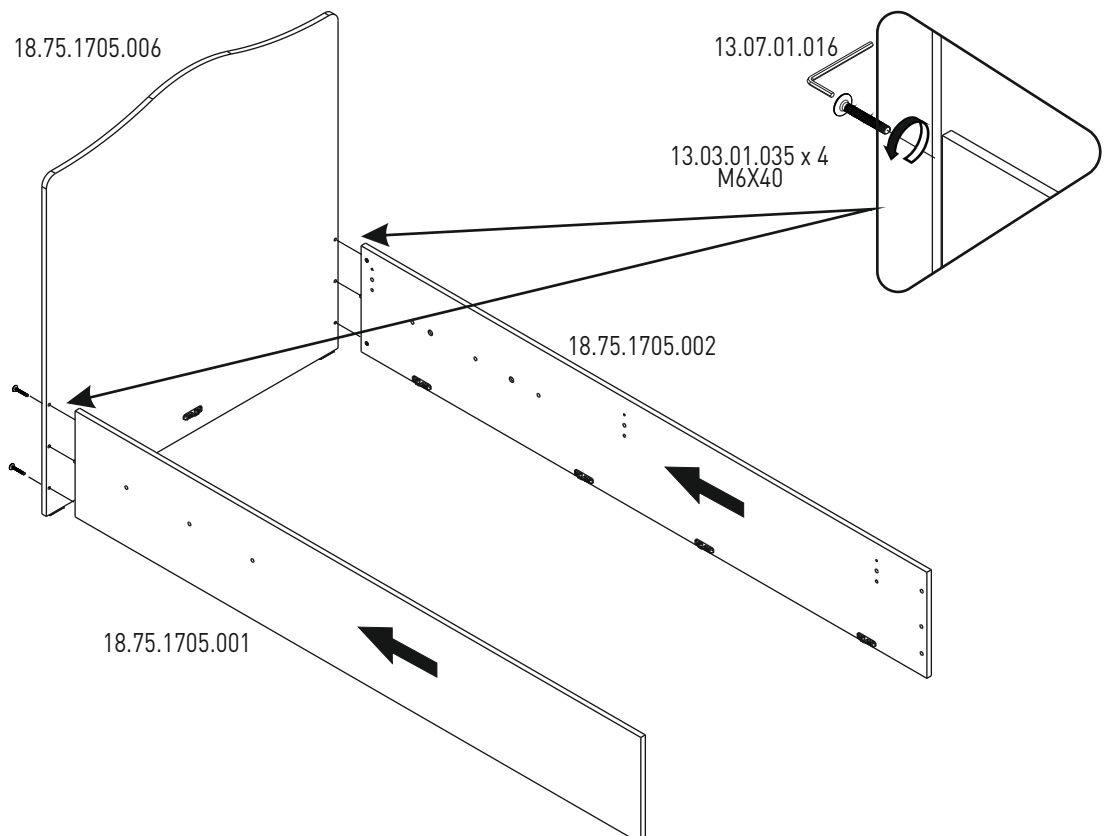
2



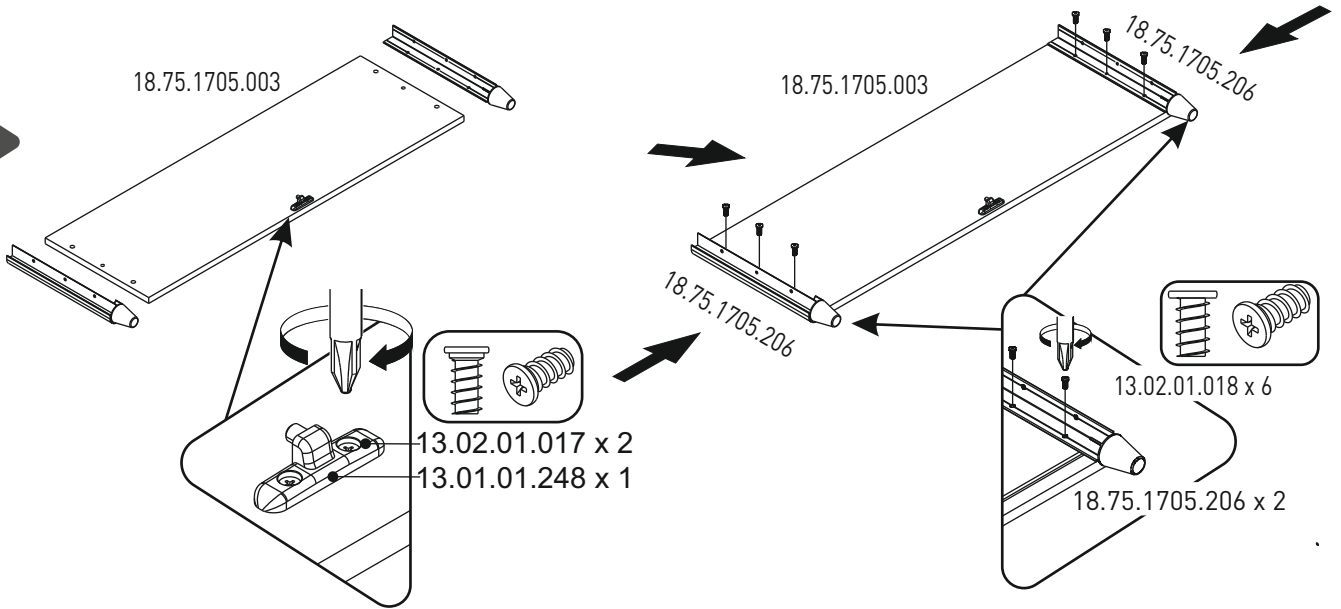
3



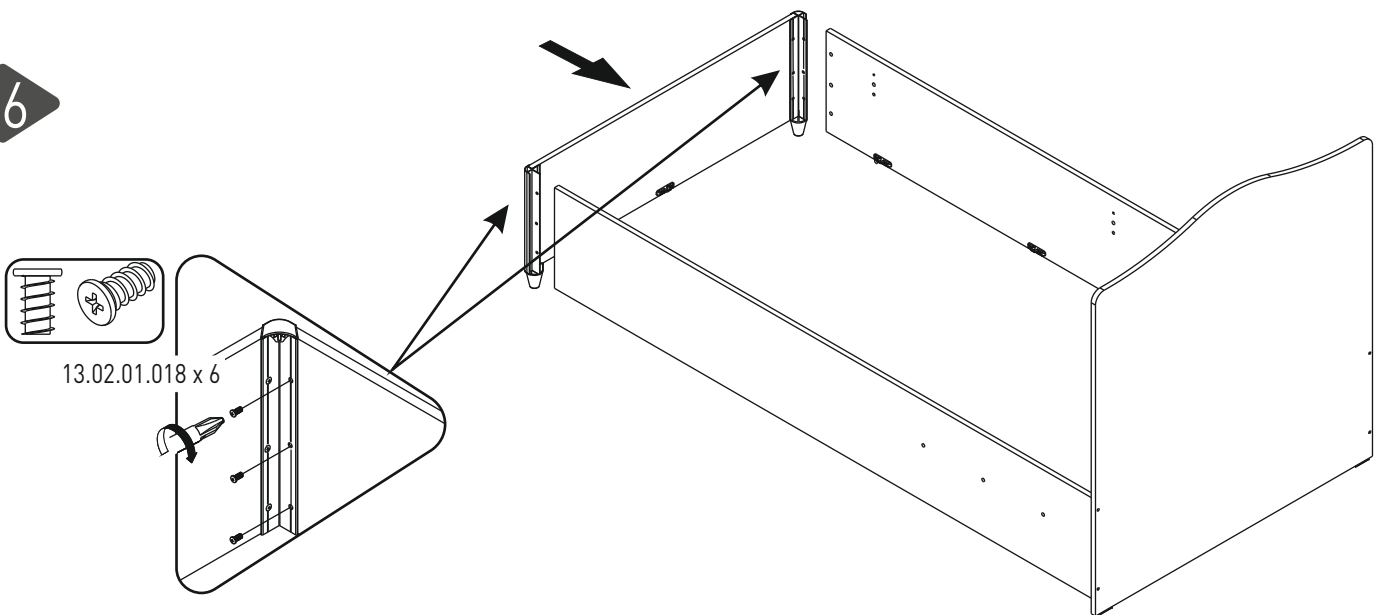
4



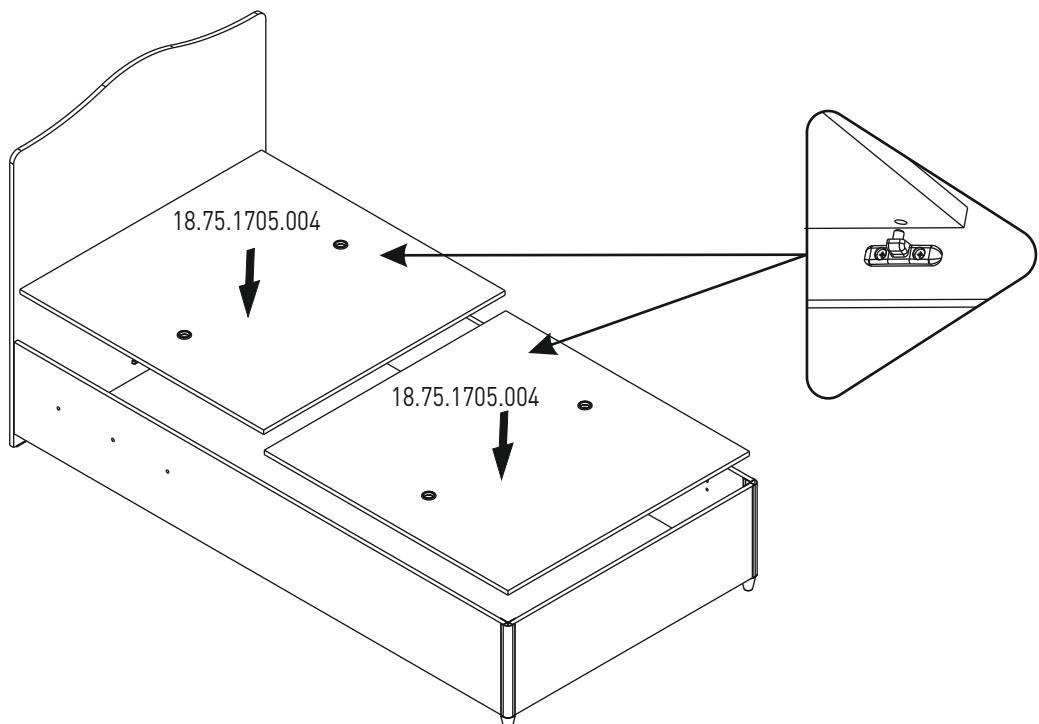
5



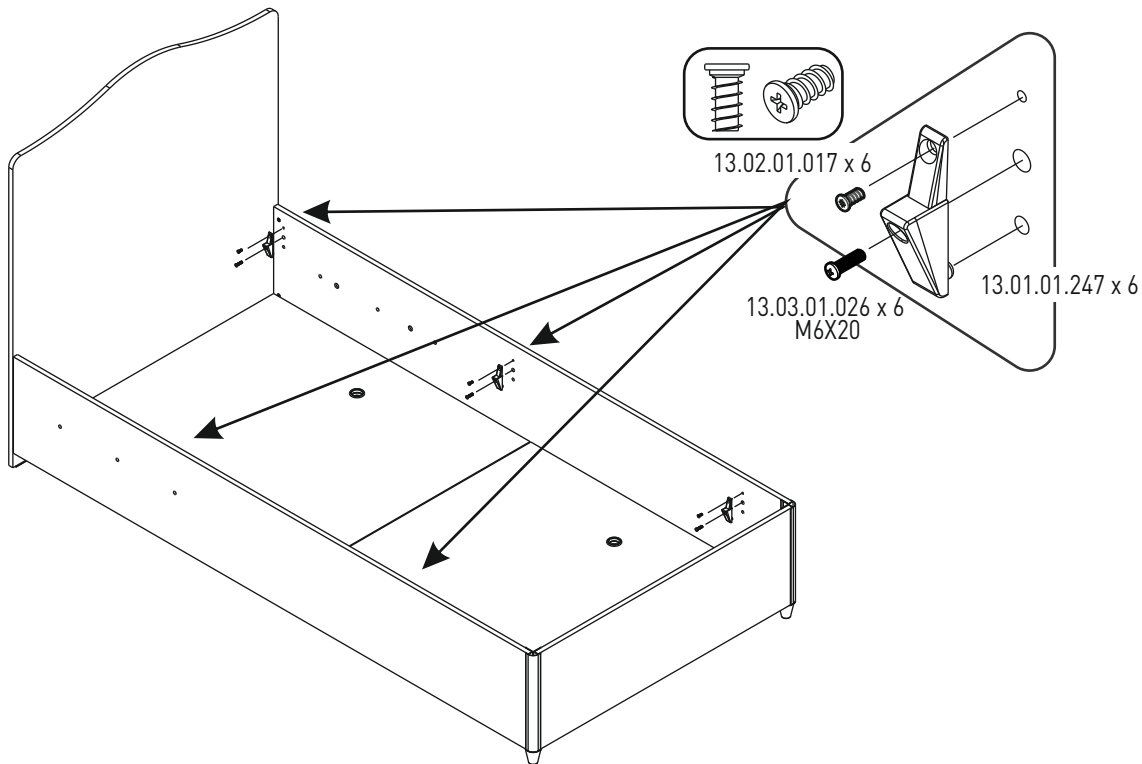
6



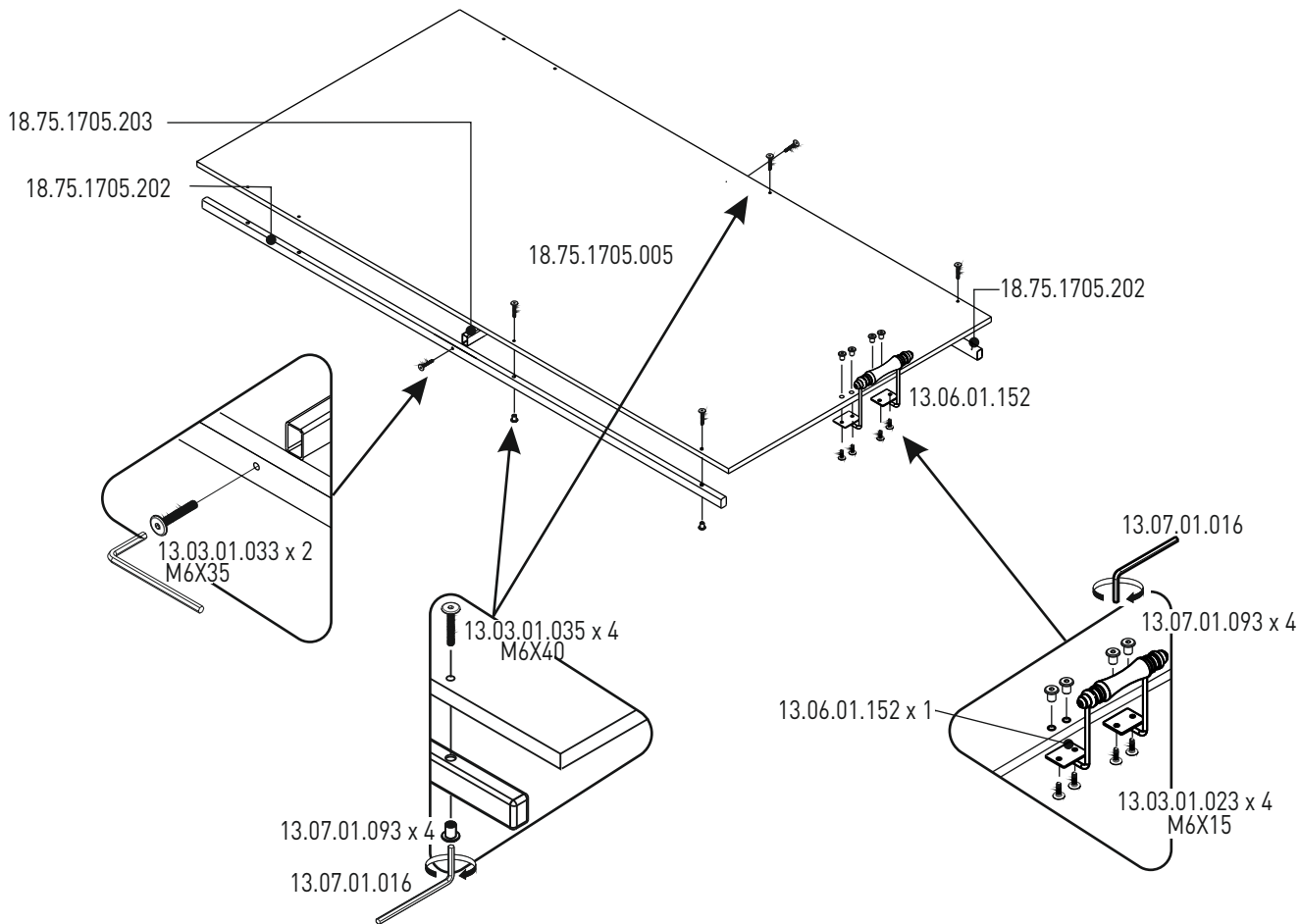
7



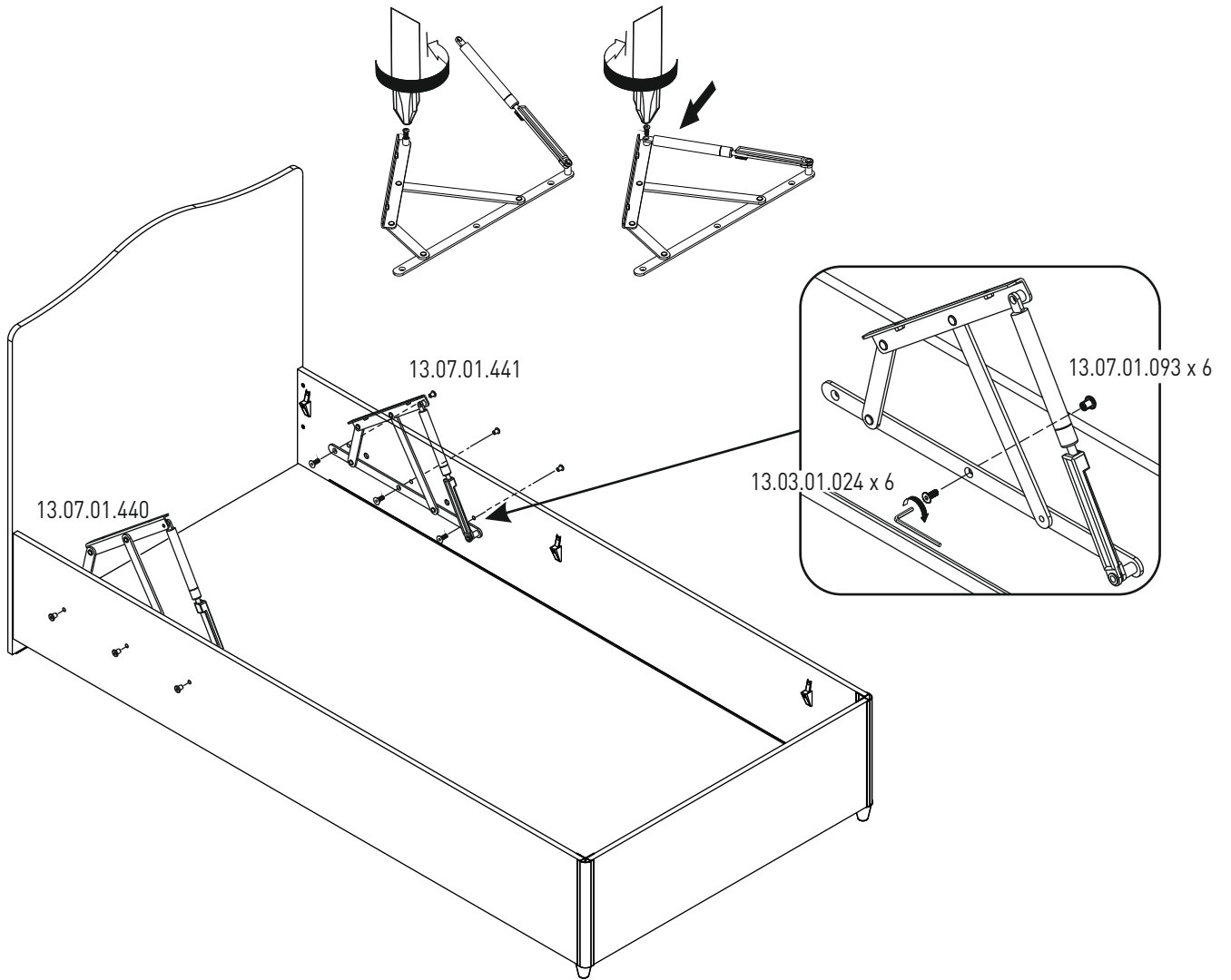
8



9



10



11

