

GENESIS



BUILT-IN GAS BARBECUE

E-360 • S-360

E-460 • S-460

Installation Guide

NG



REGISTER TODAY

We are so glad that you have joined us on the journey to barbecuing greatness. Register your barbecue and gain access to fun and engaging WEBER information, including tips, tricks and how to get the most out of your barbecuing experience.

Keep this Owner's Manual for future reference, thoroughly read through it, and if you have any questions please contact us today.

30764

041223
enAU, enNZ

Important Safety Information

DANGER, WARNING, and CAUTION statements are used throughout this Owner's Manual to emphasise critical and important information. Read and follow these statements to help ensure safety and prevent property damage. The statements are defined below.

- ⚠ **DANGER:** Indicates a hazardous situation which, if not avoided, *will result in death or serious injury.*
- ⚠ **WARNING:** Indicates a hazardous situation which, if not avoided, *could result in death or serious injury.*
- ⚠ **CAUTION:** Indicates a hazardous situation which, if not avoided, *could result in minor or moderate injury.*

⚠ DANGER

If you smell gas:

- Shut off gas to the appliance (barbecue).
- Extinguish any open flame.
- Open lid.
- If odour continues, keep away from the appliance (barbecue) and immediately call your gas supplier or the emergency fire services.

⚠ WARNING

- Do not store or use gasoline or other flammable liquids or vapours in the vicinity of this (barbecue) or any other appliance.
- An LPG cylinder not connected for use shall not be stored in the vicinity of this (barbecue) or any other appliance.

USE OUTDOORS ONLY.

READ THE INSTRUCTIONS BEFORE USING THE APPLIANCE (BARBECUE).

NOTICE TO INSTALLER: These instructions must be left with the consumer.

NOTICE TO CONSUMER: Retain these instructions for future reference.

Installation and Assembly

- ⚠ **DANGER:** This barbecue is not intended to be installed in or on recreational vehicles or boats.
- ⚠ **WARNING:** Do not use this barbecue unless all parts are in place and the barbecue was properly assembled according to the assembly instructions.
- ⚠ **WARNING:** Do not modify this appliance. LP gas is not natural gas. The conversion or attempted use of natural gas in a LP gas unit or LP gas in a natural gas unit is unsafe and will void your warranty.
- ⚠ **WARNING:** Do not route the ten-foot hose under a deck. The hose must be visible.
- **WE RECOMMEND THAT THE INSTALLATION OF THIS NATURAL GAS BARBECUE BE PERFORMED BY A PROFESSIONAL.**
- Confirm that the branch supply line from the house to the barbecue is properly installed before using the barbecue.
- The installation of the barbecue must conform with the requirements of AS/NZS 5601 and the local authority – gas or electricity, etc.
- Do not install in, or connect to the consumer piping or gas supply of a boat or caravan.
- Any parts sealed by the manufacturer must not be altered by the user.

Operation

- ⚠ **DANGER:** Only use the barbecue outdoors in a well-ventilated area. Do not use in a garage, building, breezeway, tent, any other enclosed area, or beneath overhead combustible construction.
- ⚠ **DANGER:** Do not use the barbecue in any vehicle or in any storage or cargo area of any vehicle. This includes, but is not limited to, cars, trucks, station wagons, mini-vans, sport utility vehicles, recreational vehicles, and boats.
- ⚠ **DANGER:** Do not use the barbecue within 61 cm (24 inches) of combustible materials. This includes the top, bottom, back and sides of the barbecue.
- ⚠ **DANGER:** Keep the cooking area clear of flammable vapours and liquids such as petrol, alcohol, etc., and combustible materials.
- ⚠ **DANGER:** This appliance must be kept away from flammable materials during use. Do not use or store flammable materials in or near this appliance. Do not spray aerosols in the vicinity of this appliance while it is in operation.
- ⚠ **DANGER:** Do not put a barbecue cover or anything flammable on, or in the storage area under the barbecue while it is in operation or is hot.
- ⚠ **DANGER:** Should a grease fire occur, turn off all burners and leave lid closed until fire is out.
- ⚠ **WARNING:** Accessible parts may be very hot. Keep young children away.
- ⚠ **WARNING:** The use of alcohol, prescription drugs, non-prescription drugs, or illegal drugs may impair the consumer's ability to properly and safely assemble, move, store, or operate the barbecue.
- ⚠ **WARNING:** Never leave the barbecue unattended during pre-heating or use. Exercise caution when using this barbecue. The entire cookbox gets hot when in use.
- ⚠ **WARNING:** Do not move the appliance during use.
- ⚠ **WARNING:** Keep any electrical supply cord and the fuel supply hose away from any heated surfaces.
- ⚠ **WARNING:** Do not place articles on or against this appliance.
- ⚠ **CAUTION:** This product has been safety-tested and is only certified for use in a specific country. Refer to country designation located on outside of box.
 - Do not use charcoal, briquettes or lava rock in the barbecue.
 - This natural gas barbecue is factory built to operate using natural gas only. Never attempt to operate your barbecue on gases other than the type specified on the barbecue rating plates.

Storage and/or Nonuse

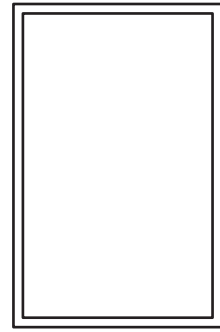
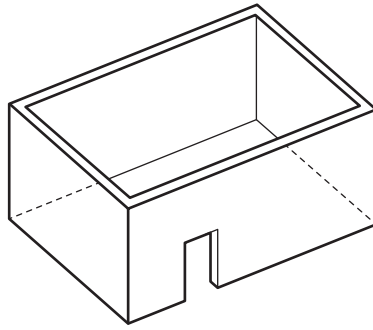
- ⚠ **WARNING:** After a period of storage and/or nonuse, the barbecue should be checked for gas leaks and burner obstructions before use.
- Storage of the barbecue indoors is permissible only if the grill is disconnected from the gas supply.

Considerations for Locating your Barbecue

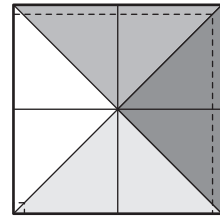
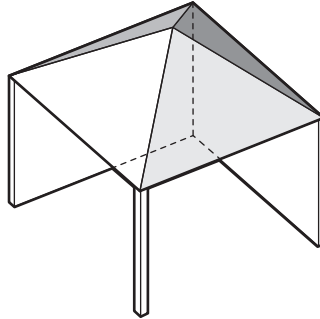
Any enclosure in which the appliance is used shall comply with one of the following:

- An enclosure with walls on all sides, but at least one permanent opening at ground level and no overhead cover (A).
- Within a partial enclosure that includes an overhead cover and no more than two walls (B).
- Within a partial enclosure that includes an overhead cover and more than two walls, the following shall apply (C):
 - (i) at least 25% of the total wall area is completely open; and
 - (ii) at least 30% of the remaining wall area is open and unrestricted.
- In the case of balconies, at least 20% of the total of the side, back and front wall areas shall be and remain open and unrestricted.

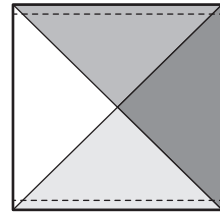
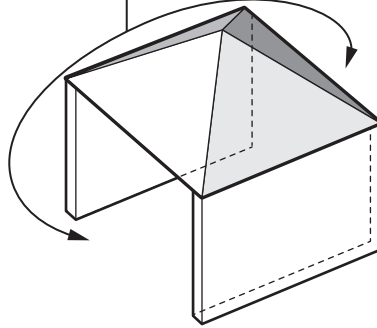
A



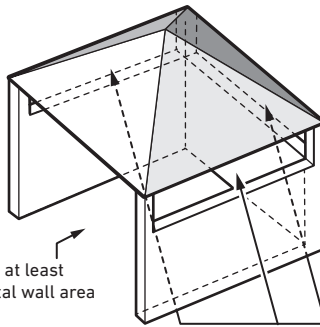
B



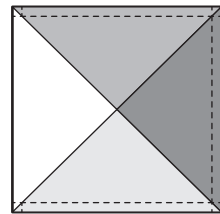
Both ends open



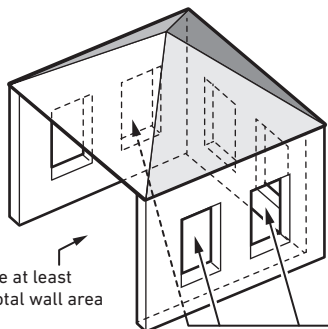
C



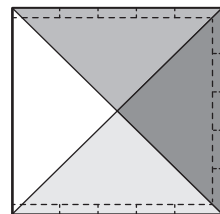
Open side at least 25% of total wall area



30% or more in total of the remaining wall area is open and unrestricted



Open side at least 25% of total wall area



30% or more in total of the remaining wall area is open and unrestricted

⚠ IMPORTANT: This appliance shall only be used in an above ground open-air situation with natural ventilation, without stagnant areas, where gas leakage and products of combustion are rapidly dispersed by wind and natural convection.

Configuration Options

Recommended Gas Supply Locations

There are several configuration options for the grill and gas supply access of your Island structure.

The 3 common options (A, B, C) are illustrated in the 'Island' Structure Configuration Options table.

If there are local codes that apply to "built-in" gas barbecues, you will have to conform to them. Installation must conform with local codes or, in the absence of local codes, with the National Code as applicable.

When using a gas supply system in an enclosure, ventilation must be provided. Gas vapour is highly explosive and can cause serious bodily injury or damage to property if allowed to accumulate in a confined space and ignited.

Recommended Construction Materials

We recommend that the construction and installation of this barbecue is in a masonry structure and carried out by a professional tradesperson. Masonry such as stone or brick, and noncombustible countertops such as marble or granite, is preferred. Other noncombustible material along with metal studs may also be used.

IMPORTANT: Wood or other combustible material are not acceptable for the construction of the barbecue structure.

NOTE: Contact your local municipality for building codes regulating outdoor gas barbecue installations.

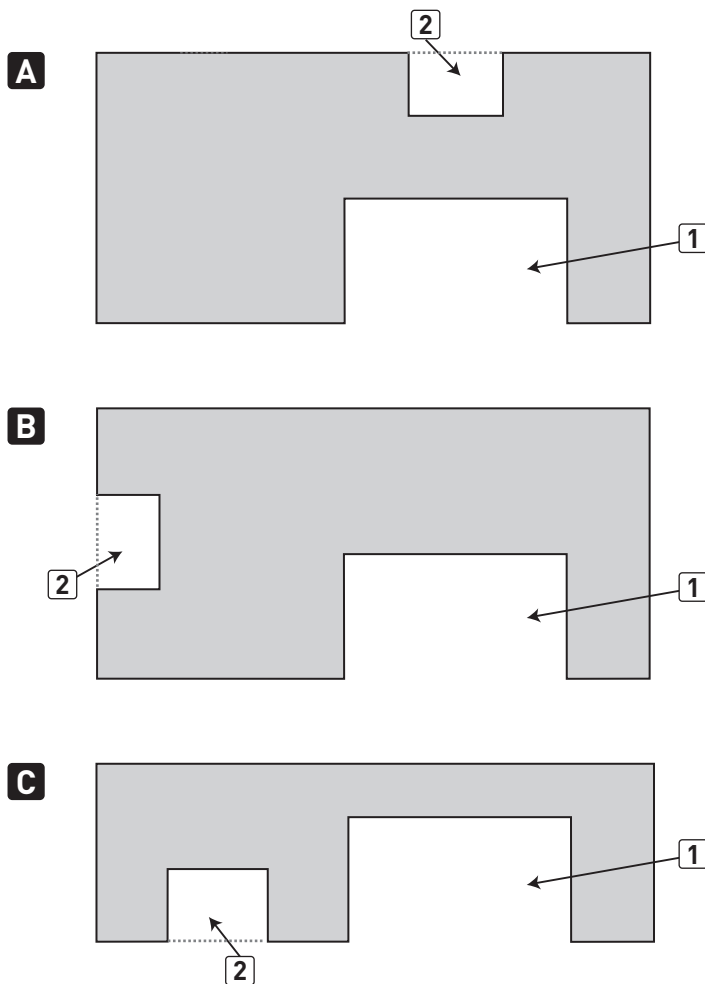
Ventilation

Ventilation holes can be located in a low visibility area and should be protected by screening material to prevent rodents and insects from entering the structure. Air holes will also help dry moisture.

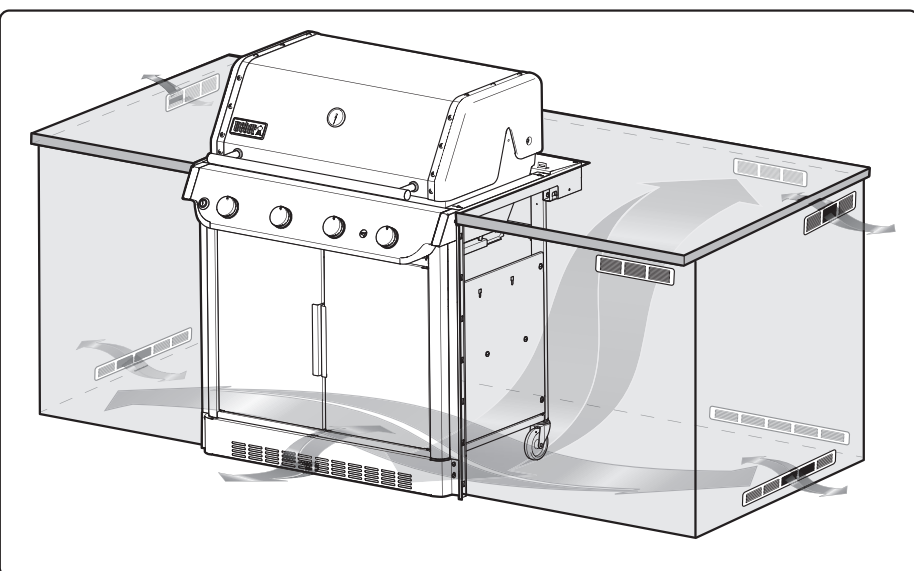
NOTE: These drawings are only a reference.

- Cross ventilation must be incorporated in the supporting structure. We recommend a minimum of 100 square inches (254 square cm) of venting per side.
- Vents should be on two sides of the structure.
- The drawings are for reference only.
- Position the vents at both the bottom of the structure and at the top of the structure.
- The bottom vents should be as close to ground level as possible. Make sure the vent area is not blocked by interior supports of the structure.
- We recommend vents with screens.
- Access doors to the structure are not considered vents.
- Clean the vents periodically.

"ISLAND" STRUCTURE CONFIGURATION OPTIONS



| | |
|---|---------------|
| 1 | GENESIS grill |
| 2 | Gas supply |



⚠ DANGER: Failure to follow recommended minimum ventilation instructions can cause gas to collect in the structure in the event of a gas leak. This may result in a fire or an explosion which can cause serious bodily injury or death, and damage to property.

⚠ WARNING: Ventilation openings must be provided in the structure, with at least one mounted high and at least one mounted low, to provide cross ventilation in the event of a gas leak.

⚠ WARNING: Keep the ventilation openings of the enclosure free and clear of debris.

General Construction

The GENESIS Built-In unit should be on site before construction begins.

For ease of installation, the barbecue will be pushed on its casters into the built-in structure.

The installation of this barbecue requires a level floor pad surface (1) and countertop surface. The floor pad surface must be constructed from solid materials and must be level and smooth. Proper subgrade materials must be used under the floor pad to prevent materials from settling and heaving.

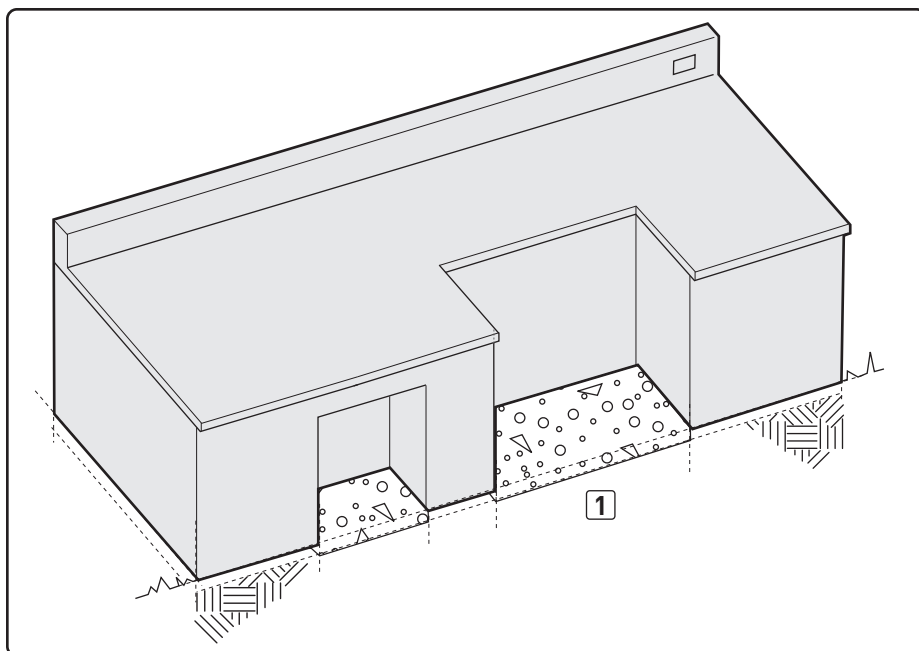
Rotisserie Outlet

If the supporting structure is going to have an electrical outlet for a rotisserie (sold separately), it should be on the right side of the structure.

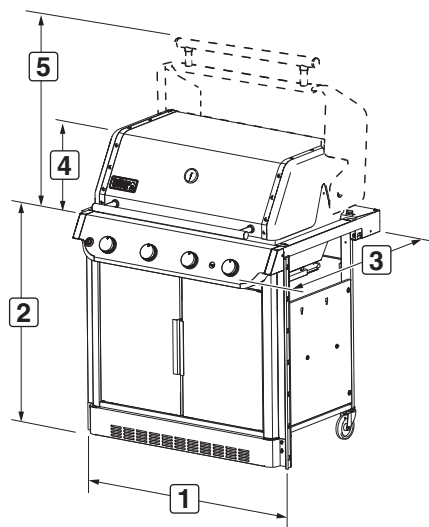
Built-In Structure Cutout Dimensions

All dimensions are to finished surfaces.

All countertop finished surfaces must be constructed of a noncombustible material.

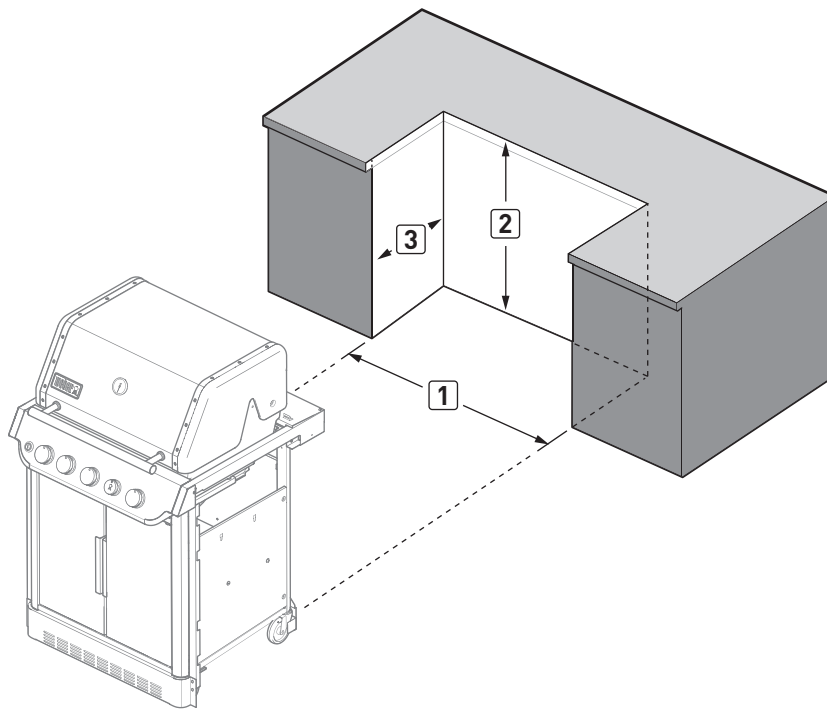


BARBECUE DIMENSIONS



| | 360 | 460 |
|---|------------------|------------------|
| 1 | 31 3/4" (806 mm) | 38 3/4" (984 mm) |
| 2 | 36 1/4" (921 mm) | 36 1/4" (921 mm) |
| 3 | 31" (787 mm) | 31" (787 mm) |
| 4 | 12 3/4" (324 mm) | 12 3/4" (324 mm) |
| 5 | 26 1/2" (673 mm) | 26 1/2" (673 mm) |

BUILT-IN CUTOUT GENERAL DIMENSIONS



| | 360 | 460 | TOLERANCES |
|---|------------------|------------------|--------------|
| 1 | 32" (813 mm) | 39" (991 mm) | ±1/4" (6 mm) |
| 2 | 36" (914 mm) | 36" (914 mm) | max |
| 3 | 26 1/4" (667 mm) | 26 1/4" (667 mm) | ±1/8" (3 mm) |

Positioning Your Barbecue

When determining a suitable location for your barbecue installation, give thought to concerns such as exposure to wind, proximity to traffic paths, and keeping any gas supply lines as short as possible. Never locate the barbecue in a garage, breezeway, or shed, under an unprotected overhang, or in any other enclosed area. The barbecue must not be installed under overhead combustible construction. Position the barbecue and structure so there is enough room to safely evacuate the area in case of a fire.

Clearance From Combustible Materials

Clearance dimensions indicate the minimum allowable distance from the edge of the barbecue to any combustible materials.

The cut-out structure, countertops, and adjacent work areas for the Built-In barbecue installation must be built from noncombustible materials only.

NOTE: If the cut-out is constructed from non-combustibles then combustible material could be closer, according to AS/NZS 5263 and AS/NZS 5601.

NOTE: If you have questions on which materials are considered noncombustible, contact your local building materials supplier or fire department.

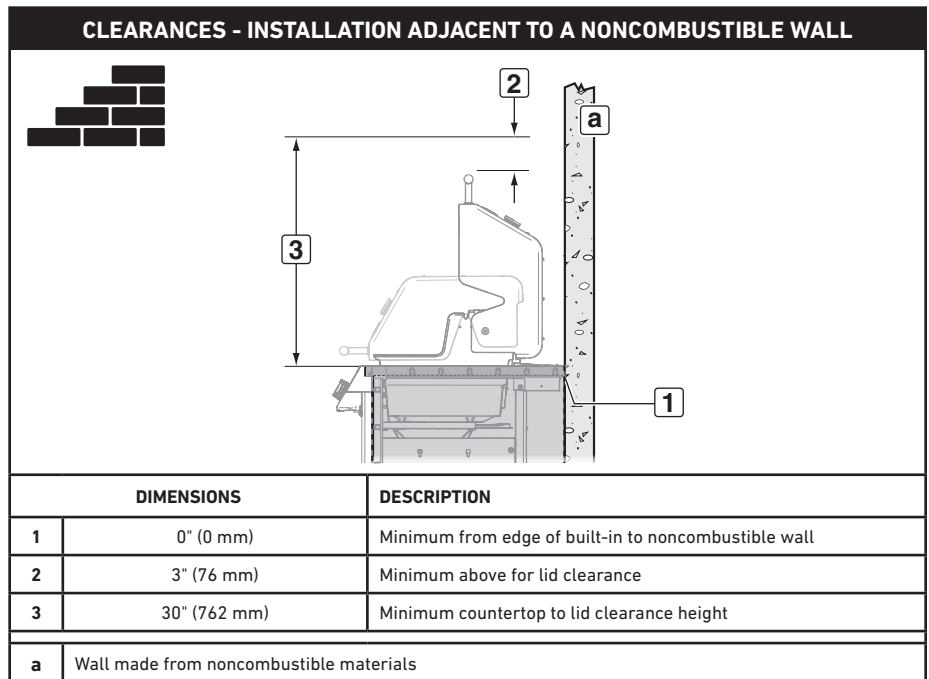
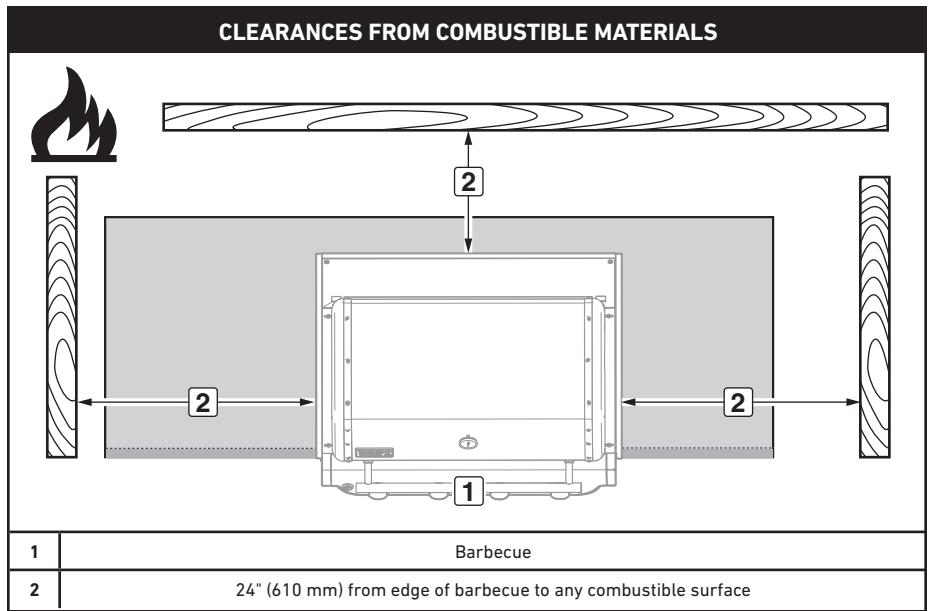
Clearance From Noncombustible Materials

If your installation is to be adjacent to noncombustible materials, you must consider these dimensions for minimum lid clearances.

The cut-out structure, countertops, and adjacent work areas for the built-in barbecue installation must be constructed from noncombustible materials only.

NOTE: If the cut-out is constructed from non-combustibles then combustible material could be closer, according to AS/NZS 5263 and AS/NZS 5601.

NOTE: If you have questions on which materials are considered noncombustible, contact your local building materials supplier or fire department.



GENESIS NG Burner Valve Orifice Sizes & Consumption Data

| Gas Category | BURNER VALVE ORIFICE SIZES | |
|--------------|----------------------------|----------------------|
| | 360 Models | 460 Models |
| 1.0 kPa | Main Burners 1.75 mm | Main Burners 1.62 mm |
| | Sear Burner 1.64 mm | Sear Burner 1.62 mm |
| | TOTAL CONSUMPTION DATA | |
| | 360 Models | 460 Models |
| | 57.5 Mj/h | 63.5 Mj/h |

⚠ WARNING: The structure, countertops, and adjacent work areas for the built-in barbecue installation must be constructed from noncombustible materials only.

Planning the Gas Supply Location

Built-In Gas Line Location

A 58 inch (147 cm) main corrugated gas line is connected to the manifold of the barbecue. Build an opening for the corrugated gas line to pass through to the gas supply enclosure, where connections to the bulkhead, hose and regulator will be made.

NOTE: Leave an access in the "island" structure for gas supply and regulator service that is outside the barbecue cabinet.

The female bayonet fitting must be installed in an easily accessible location. If this compartment is located directly adjacent to the barbecue unit, it must be properly vented.

Never locate the access for the bayonet fitting and regulator service where it will be obstructed after installation is complete.

WEBER recommends that a manual shutoff valve also be installed in an easily accessible location.

The gas supply enclosure shall house the included hose and regulator assembly. The hose and regulator are required parts of the built-in gas barbecue.

A properly constructed enclosure meets the requirements for venting and separation from a heat source.

NOTE: Contact your local municipality for building codes regulating outdoor gas barbecue installations. You must conform to the latest edition of the local and national code as applicable.

Gas Supply Access

The area should be kept clear of sharp, jagged or extremely abrasive surfaces to avoid possible damage to gas supply lines. Exercise caution when pulling gas lines through built-in structure.

NOTE: Gas supply enclosure door not included.

General Specifications for Piping

THIS INSTALLATION MUST BE PERFORMED BY A LICENSED GAS FITTER.

NOTE: Contact your local municipality for building codes regulating outdoor gas barbecue installations. You must conform to the latest edition of the local and national code as applicable.

Following are some general requirements taken from the code(s).

- The female bayonet fitting must be installed outdoors.
- An additional manual shutoff valve should be installed in the branch fuel line, in an accessible location near the supply line.
- The female bayonet fitting can be installed horizontally or pointing downward, but never pointing upward. Installing it with the open end pointing upward can result in water and debris collecting in the fitting.
- The female bayonet fitting must be firmly attached to a rigid, permanent construction.
- The dust cover (plastic plug supplied with your gas supply hose and the male bayonet fitting) helps keep the open end of the male bayonet fitting clean while disconnected.

⚠ **DANGER:** Use of any other hose and regulator assembly could be dangerous, and may not provide adequate gas supply to the gas barbecue, and could result in a fire or an explosion causing serious bodily injury or death and damage to property.

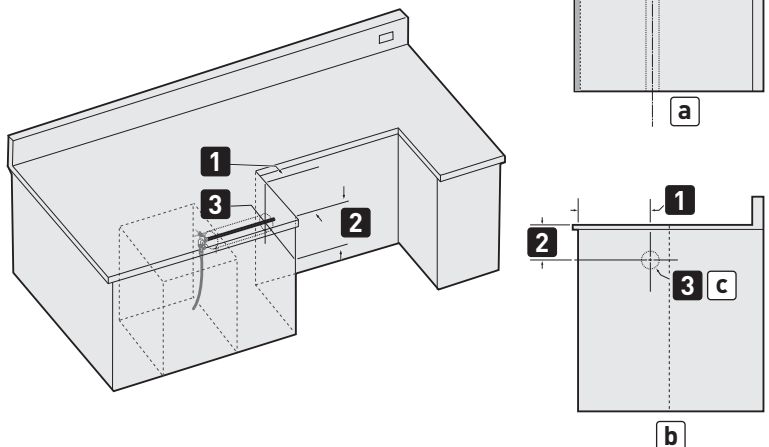
⚠ **DANGER:** Do not use a flame to check for gas leaks. Be sure there are no sparks or open flames in the area while you check for leaks.

⚠ **DANGER:** Leaking gas may cause a fire or explosion.

⚠ **DANGER:** Do not operate the barbecue if there is a gas leak present.

⚠ **CAUTION:** If young children are in the area, a locking valve should be considered.

BUILT-IN GAS LINE LOCATION



| | 360 | 460 | TOLERANCES |
|----------|-----------------|--------------|-------------|
| 1 | 12" (305 mm) | 12" (305 mm) | ±½" (12 mm) |
| 2 | 8" (203 mm) | 8" (203 mm) | ±½" (12 mm) |
| 3 | 2 ½" (64 mm) | 2 ½" (64 mm) | ±¼" (6 mm) |
| a | Plan view right | | |
| b | Side view | | |
| c | Gas inlet | | |

- When making connections, only use pipe compound that does not react to the properties of natural gas.
- For the correct size and length of gas line piping, refer to AS/NZS 5601.1 gas installations for piping and hose requirements.
- Gas piping in contact with earth, or any other material which may corrode the piping, must be protected against corrosion in an approved manner.

Pressure Testing the Gas Supply

Maxitrol regulators

This barbecue is designed to operate at 1.0 kPa.

To set nominal test point pressure to 1.0 kPa:

- On 360 models fitted with a Maxitrol regulator turn three main burners on high. Adjust the regulator outlet pressure to 1.0 kPa
- On 460 models fitted with a Maxitrol regulator turn four main burners on high. Adjust the regulator outlet pressure to 1.0 kPa

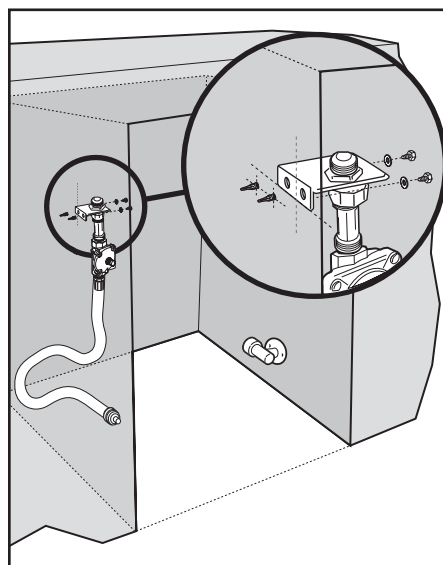
This WEBER built-in gas barbecue is not intended for commercial use.

Use only AGA approved hose assemblies.

NOTE: The information provided is general for typical installations. Not all installation techniques are covered. We recommend to contact your municipality for local and national building codes before installation and local fire department for installation verification.

Connection Testing

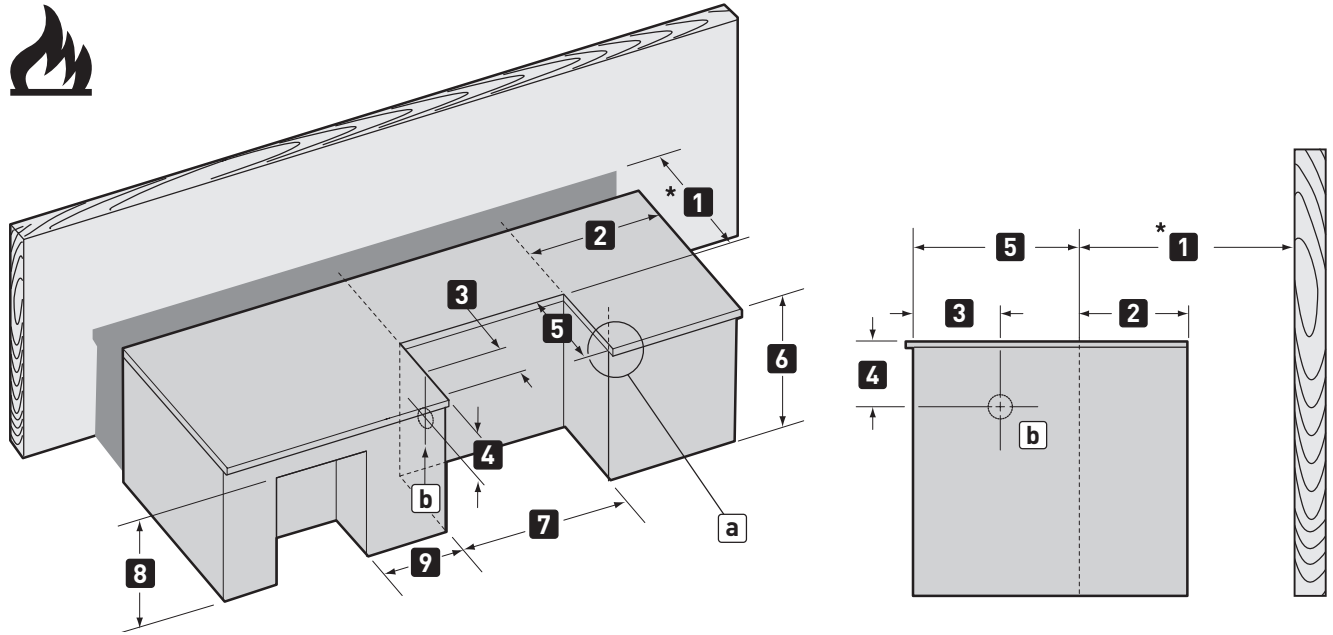
All connections and joints should be thoroughly tested for leaks in accordance with local codes. Follow the leak test procedures in your Owner's Manual.



Mounting the Bulkhead

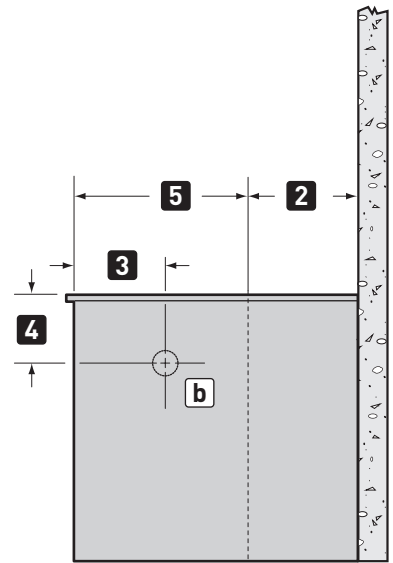
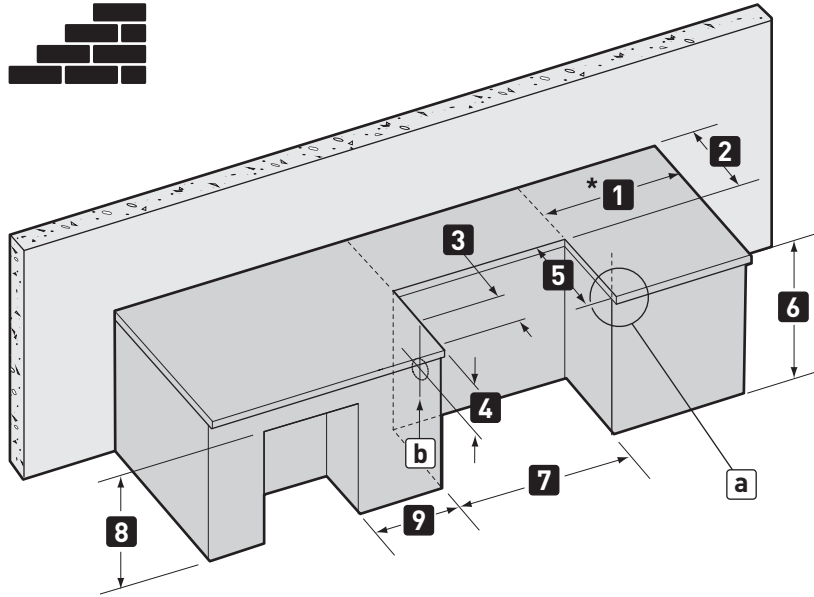
Securely mount the bulkhead bracket to the side of the built-in gas supply enclosure using non-corrosive hardware. **MOUNTING HARDWARE NOT INCLUDED.**

BUILT-IN CUTOUT DETAILED DIMENSIONS - LOCATING THE STRUCTURE NEAR A COMBUSTIBLE WALL



| | | 360 | 460 |
|---|-----------|--|--|
| DIMENSIONS | *1 | 24" (610 mm) minimum* Minimum from cutout edge to combustible construction. | 24" (610 mm) minimum* Minimum from cutout edge to combustible construction. |
| | 2 | 0" (0 mm) minimum** | 0" (0 mm) minimum** |
| | 3 | 12" (305 mm) | 12" (305 mm) |
| | 4 | 8" (203 mm) | 8" (203 mm) |
| | 5 | 26 ¼" (667 mm) | 26 ¼" (667 mm) |
| | 6 | 36" (914 mm) maximum | 36" (914 mm) maximum |
| | 7 | 32" (813 mm) built-in frame | 39" (991 mm) built-in frame |
| | 8 | 27" (686 mm) minimum for 10 kg LPG cylinder | 27" (686 mm) minimum for 10 kg LPG cylinder |
| | 9 | ¾" (19 mm) minimum** | ¾" (19 mm) minimum** |
| | a | For a countertop treatment: recommended ¾" (19 mm) overhang | |
| | b | Gas inlet | |
| <p>*Clearance from any combustible surface or structure is at least 24" (610 mm) from the back and sides of the barbecue.</p> <p>** If the cut-out is constructed from non-combustibles according to AS/NZS 5263 and AS/NZS 5601.</p> | | | |

BUILT-IN CUTOUT DETAILED DIMENSIONS - LOCATING THE STRUCTURE NEAR A NONCOMBUSTIBLE WALL



| | | 360 | 460 |
|--|-----------|--|--|
| DIMENSIONS | *1 | 24" (610 mm) minimum* Minimum from cutout edge to combustible construction. | 24" (610 mm) minimum* Minimum from cutout edge to combustible construction. |
| | 2 | 0" (0 mm) minimum | 0" (0 mm) minimum |
| | 3 | 12" (305 mm) | 12" (305 mm) |
| | 4 | 8" (203 mm) | 8" (203 mm) |
| | 5 | 26 1/4" (667 mm) | 26 1/4" (667 mm) |
| | 6 | 36" (914 mm) maximum | 36" (914 mm) maximum |
| | 7 | 32" (813 mm) built-in frame | 39" (991 mm) built-in frame |
| | 8 | 27" (686 mm) minimum for 10 kg LPG cylinder | 27" (686 mm) minimum for 10 kg LPG cylinder |
| | 9 | 3/4" (19 mm) minimum | 3/4" (19 mm) minimum |
| | a | For a countertop treatment: recommended 3/4" (19 mm) overhang | |
| | b | Gas inlet | |
| <p>*Clearance from any combustible surface or structure is at least 24" (610 mm) from the back and sides of the grill.</p> <p>** If the cut-out is constructed from non-combustibles according to AS/NZS 5263 and AS/NZS 5601.</p> | | | |