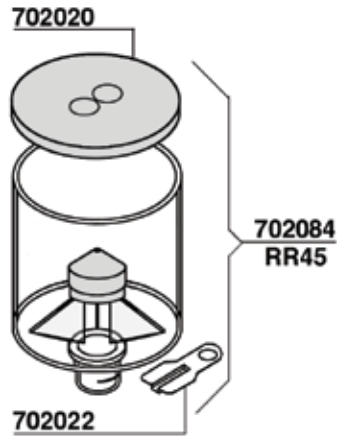
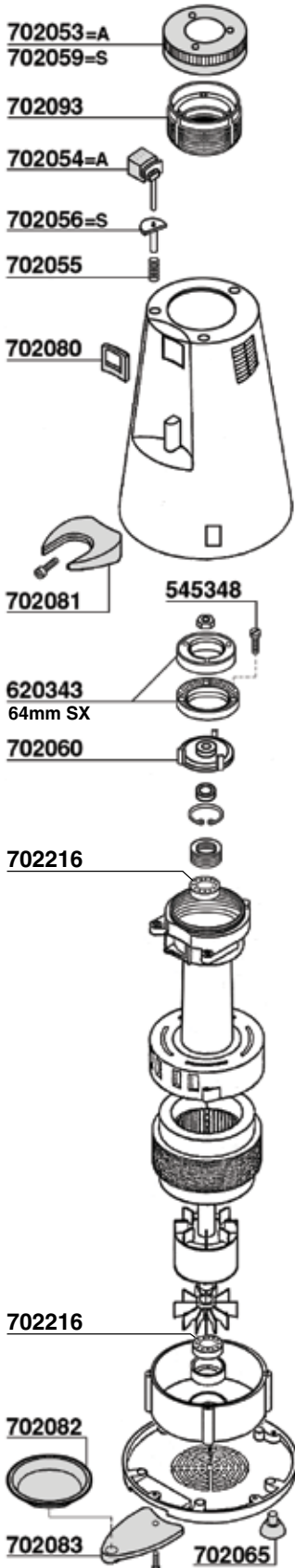


RR45 - CC45

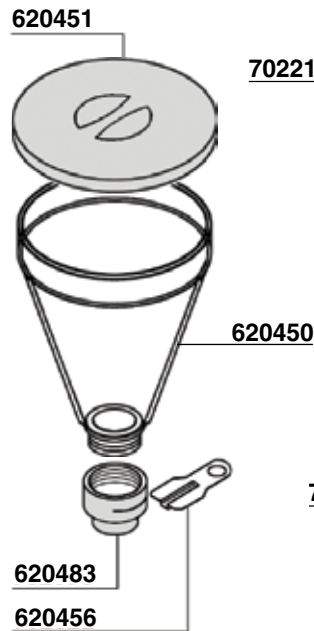
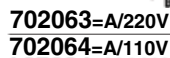
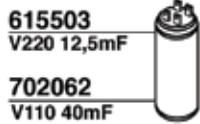
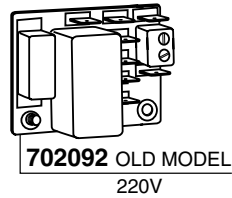
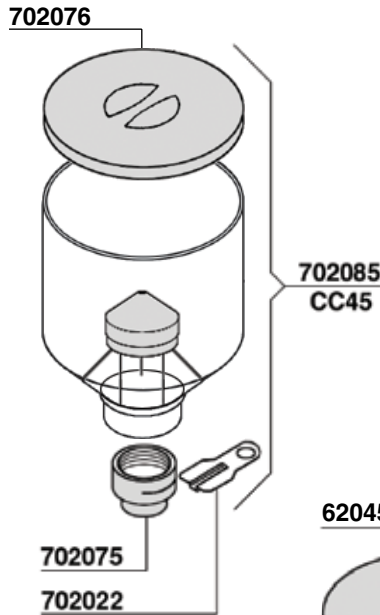
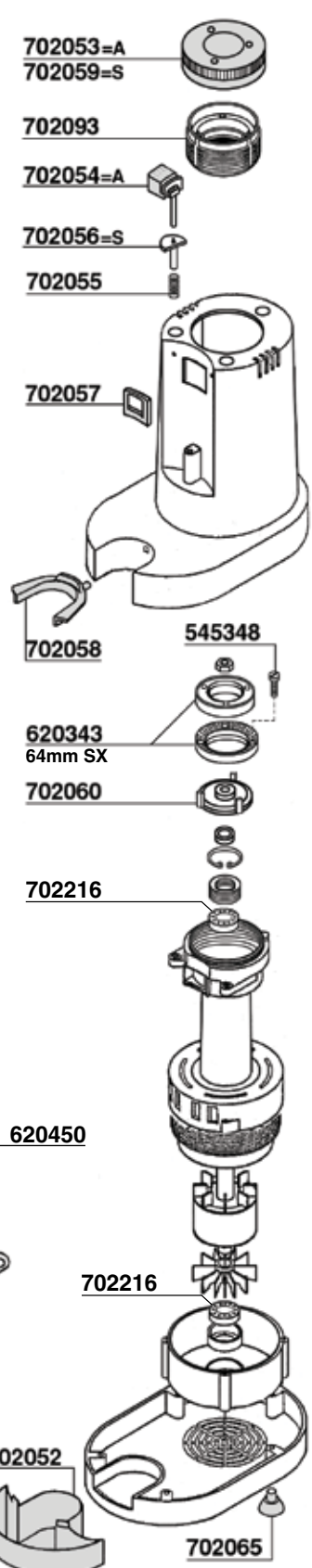
S=MODEL MANUAL

A=MODEL AUTOMATIC

MODEL CC45



MODEL RR45



RR45 - CC45

S=MODEL MANUAL

A=MODEL AUTOMATIC

