



PRODUCT CONFIGURATION

PRODUCT IDENTIFIER **1**

RT14 = Oval Gear Meter

ELECTRICAL ACCESS **2**

1 = M20 x 1.5 mm female threaded conduit entry ports

2 = ½ inch NPT female threaded conduit entry ports

FLOW INPUT TYPE **3**

D = Digital (pulse or frequency)

POWER SUPPLY **4**

0 = Self-powered (battery) or regulated 12-30V (dc)

HOUSING TYPE **5**

FM = Universal mount (field or panel) – GRN housing

MM = Integral meter mount – GRN housing*

* Only order MM when retro fitting an instrument to OM series pulse meters

ELECTRICAL OPTIONS **6**

-I = Intrinsically safe IECEx/ATEX (EXia IIB T4)

RT14 FLOW RATE TOTALIZER

The RT14 is a fully programmable self-powered flow rate totaliser specifically designed for computing and displaying flow rates and totals from flow meters with pulse, sine wave or frequency outputs. The instrument displays resettable (batch) total, accumulated total and instantaneous flow rates in engineering units as programmed by the user. Flow meter inputs: suitable use with most pulse/frequency output meters such as reed switch, coil, voltage pulse (Wiegand), NPN and PNP.

CONTROL OUTPUTS

Scaled and unscaled pulse outputs allow transmission of accumulated flow data to remote control systems. Flow alarms are available to protect flow systems from flow rates that are 'high', 'low', or both, and an analogue 4-20mA signal offers flow rate monitoring and control by accurately transmitting flow rate readings from the flowmeter to your PLC or PID control system.

FEATURES / BENEFITS

- Battery, external DC, or loop powered
- Easy to read backlit LCD display
- Robust IP66/67-NEMA4X universal mount glass reinforced nylon enclosure with rubberized buttons and polycarbonate lens
- Large selection of engineering units for flow rate and total
- Ten point linearisation
- 4-20mA analogue output according to flow rate
- Flow alarm for high, low or high/low
- Scaled pulse output according to accumulated total
- Simple flow chart touch key programming
- Non volatile memory, long battery life
- Flowmeter and pipe mount kits available
- Broad operating temperature range

PROGRAMMING

Simple PIN protected flow chart programming with English prompts guide you through the programming routine greatly reducing the need to refer to the instruction manual.

--->>>> **1** **2** **3** **4** **5** **6**
RT14 1 D 0 FM -I

SPECIFICATIONS

LCD Display	8 digit alpha-numeric LCD display with 12 mm characters with backlight*
Instantaneous Flow Rate	8 digit to 3 decimal points
Engineering Units Displayed	Liter, mL, Gallon, Quart, Cubic Meter, Pounds, Kilograms or Nil
Input Types	Reed, NPN/PNP, mV sinewave (Turbine flowmeters), Weigand Sensors (voltage pulse)
Input Frequency	1.2 kHz (NPN/PNP), 2 kHz (Coil inputs), 120 kHz (Reed)
Input Scaling Range	0.0001 ~ 9999999.9999 with 4 floating points
Linearisation	10 point correction
Pulse Outputs	One selectable digital output for scaled pulse, unscaled pulse, high, low or high/low alarms
Analogue Output	12 bit 4-20mA ($\pm 0.05\%$ FS at 25°C)
Operating Temperature	-22°F - +176°F (-30°C - +80°C)
Power Sources	AA 3.6V Lithium Thionyl Chloride Battery, external DC powered or loop powered (12 - 30V (dc))
Enclosures	High impact glass reinforced Nylon (PA6) with a Polycarbonate lens, Nitrile O-Ring seals and Polyurethane gaskets, providing an IP rating of IP66/67^
Mounting	Meter & stem mount, wall, pipe or panel mount^
Approvals	Intrinsically Safe - IECEx / ATEX (optional) Ex ia IIB T4 Gb (-30°C <Ta <+70°C)

* Backlight possible when connected to external power

^ Panel mount seal kit required to maintain IP66/67 rating when separating front and rear housing for mounting

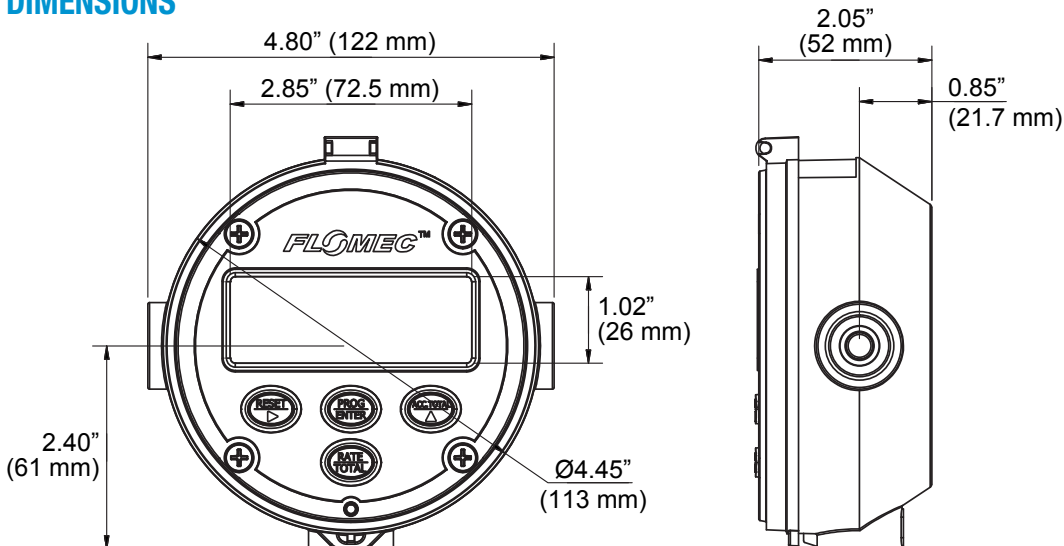
ACCESSORIES

1522001	Wall Mount Kit
1522002	2" Pipe Mount Kit
1504003	Panel Mount Seal Kit

APPROVALS



DIMENSIONS



Service & Warranty: For technical assistance, warranty replacement or repair contact your FLOMEC® or GPI® distributor: In North or South America: 888-996-3837 / FLOMEC.net
Outside North or South America: +61 2 9540 4433 / FLOMEC.net

Wichita · Sydney

GREAT PLAINS INDUSTRIES

