

07					
06					
05					
04					
03					
02					
01	/ /				
REV:	DATE:	REVISION:	DRAWN:	CHECKED:	APPROVED:

Note:  
 > Designed and approved to AS1940 / AS1692 / AS1657  
 > All welding to AS1554.1



Material:  
 Weight: 1477.29KG

DRAWN:      SAVING DATE: 2016/11/15  
 CHECKED:    DATE:  
 CLIENT:      DATE:  
 APPROVED:   DATE:

TITLE:  
 5500L CEA Store

DRAWING NO. :

PURCHASE ORDER NO. :

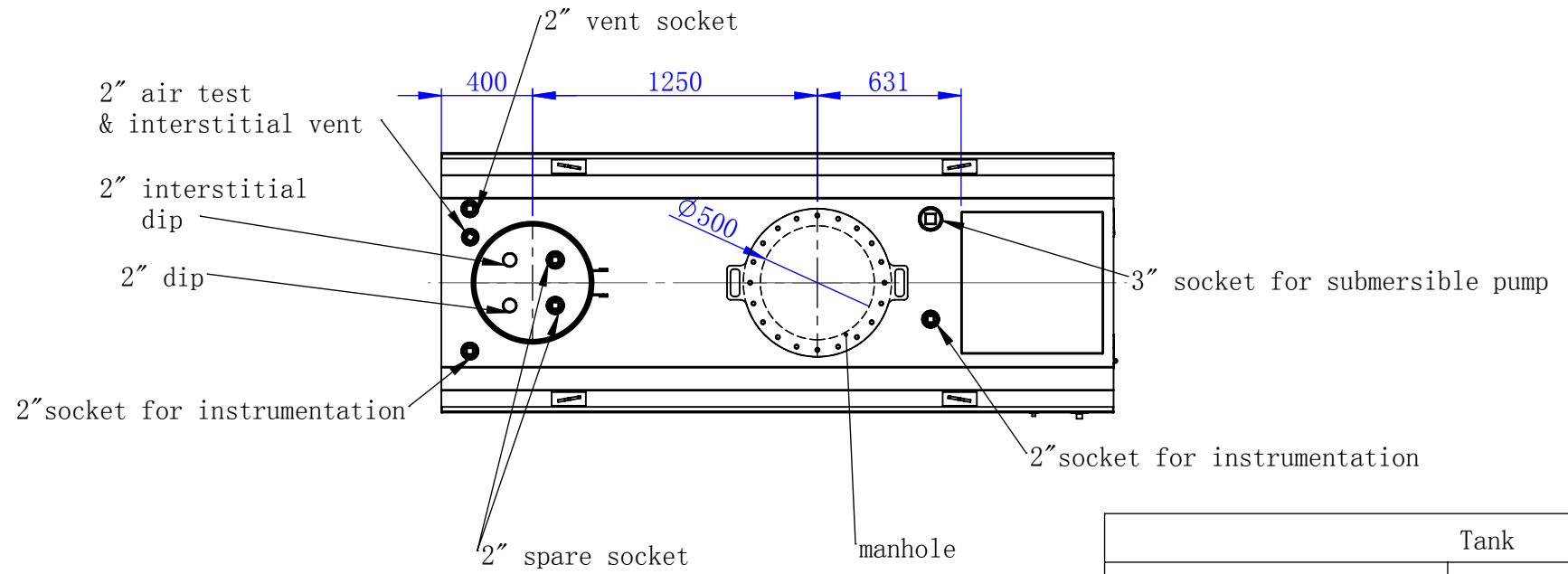
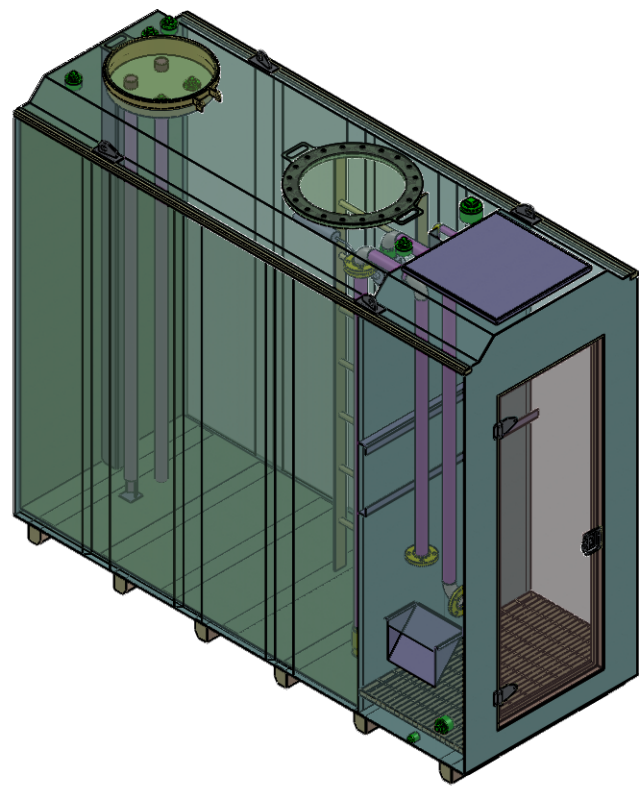
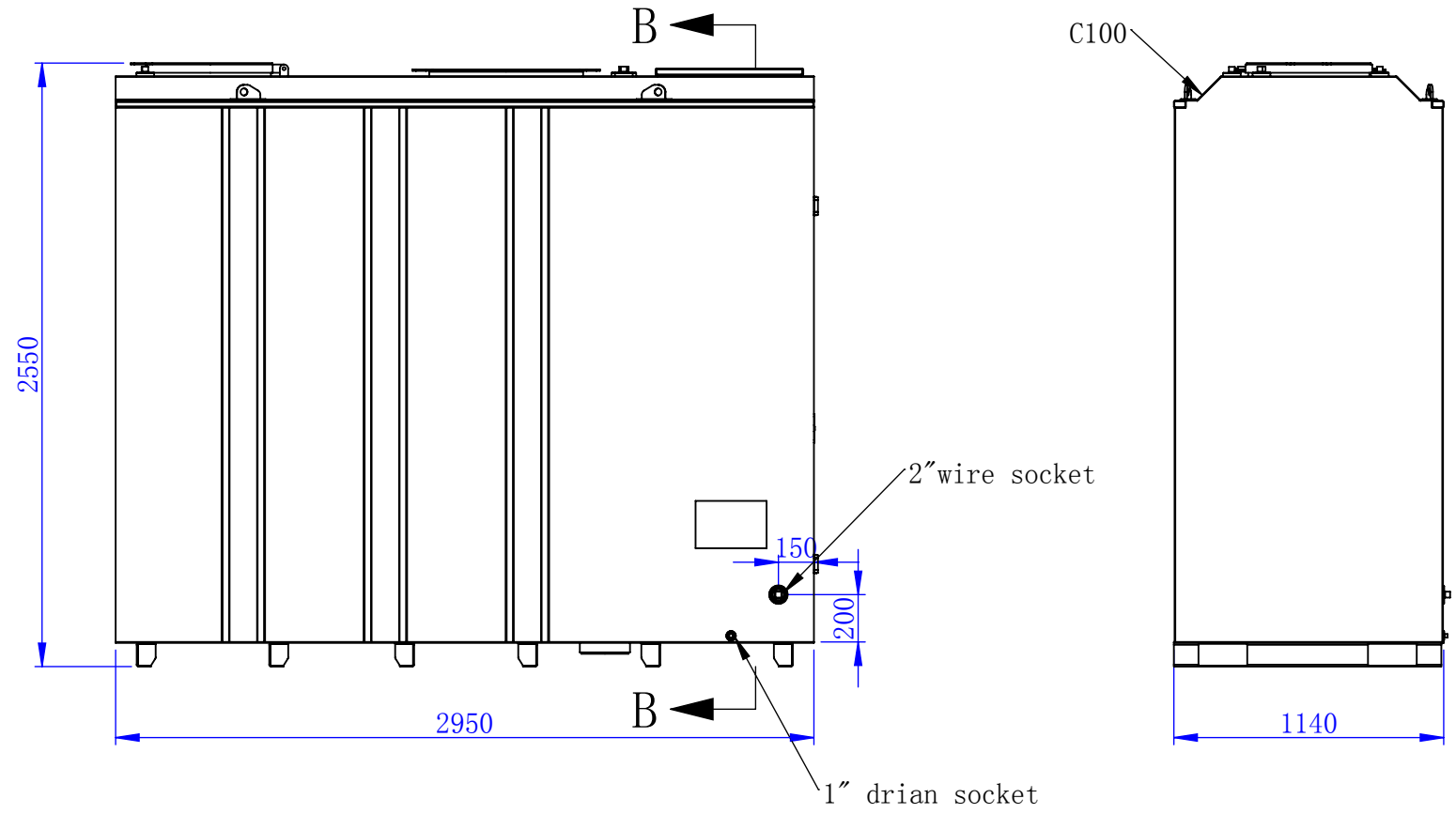
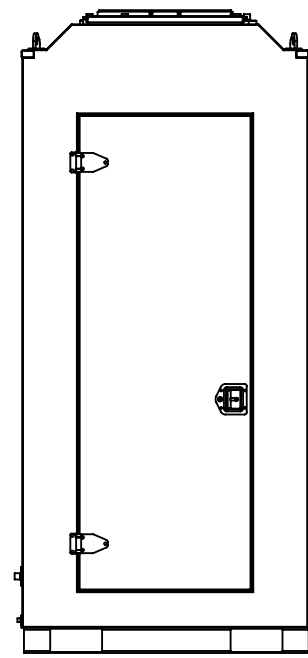
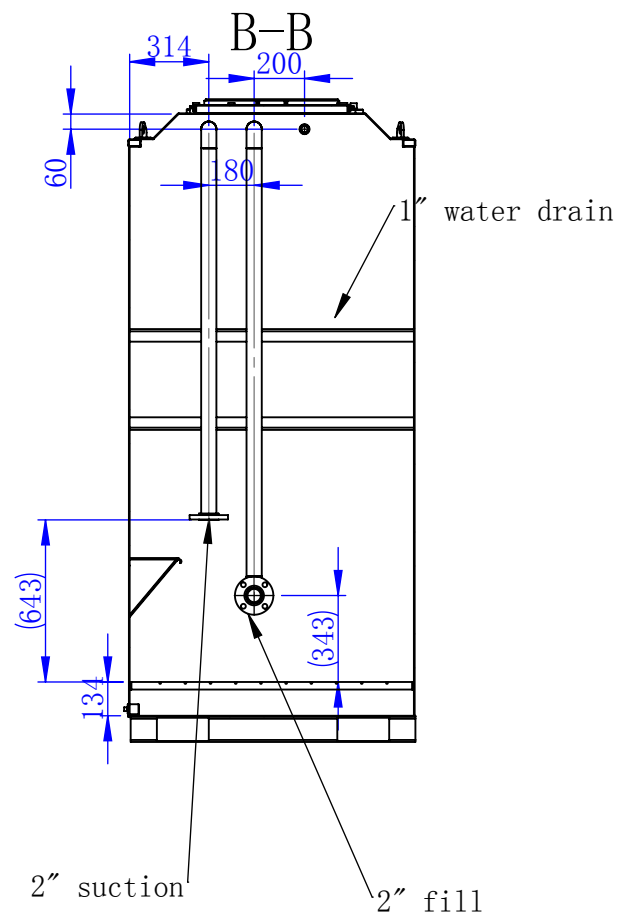
REV:

SHEET:  
 1 of 4

Scale:  
 No scale

A3





Tank	
Content	Diesel
External size	LWH 2950x1140x2550mm
Internal size	LWH 2238x2384x1062mm
Total volume	5500L
Safe volume	5000L

07					
06					
05					
04					
03					
02					
01					
REV:	DATE:	REVISION:	DRAWN:	CHECKED:	APPROVED:



Material:  
Weight: 1477.29KG

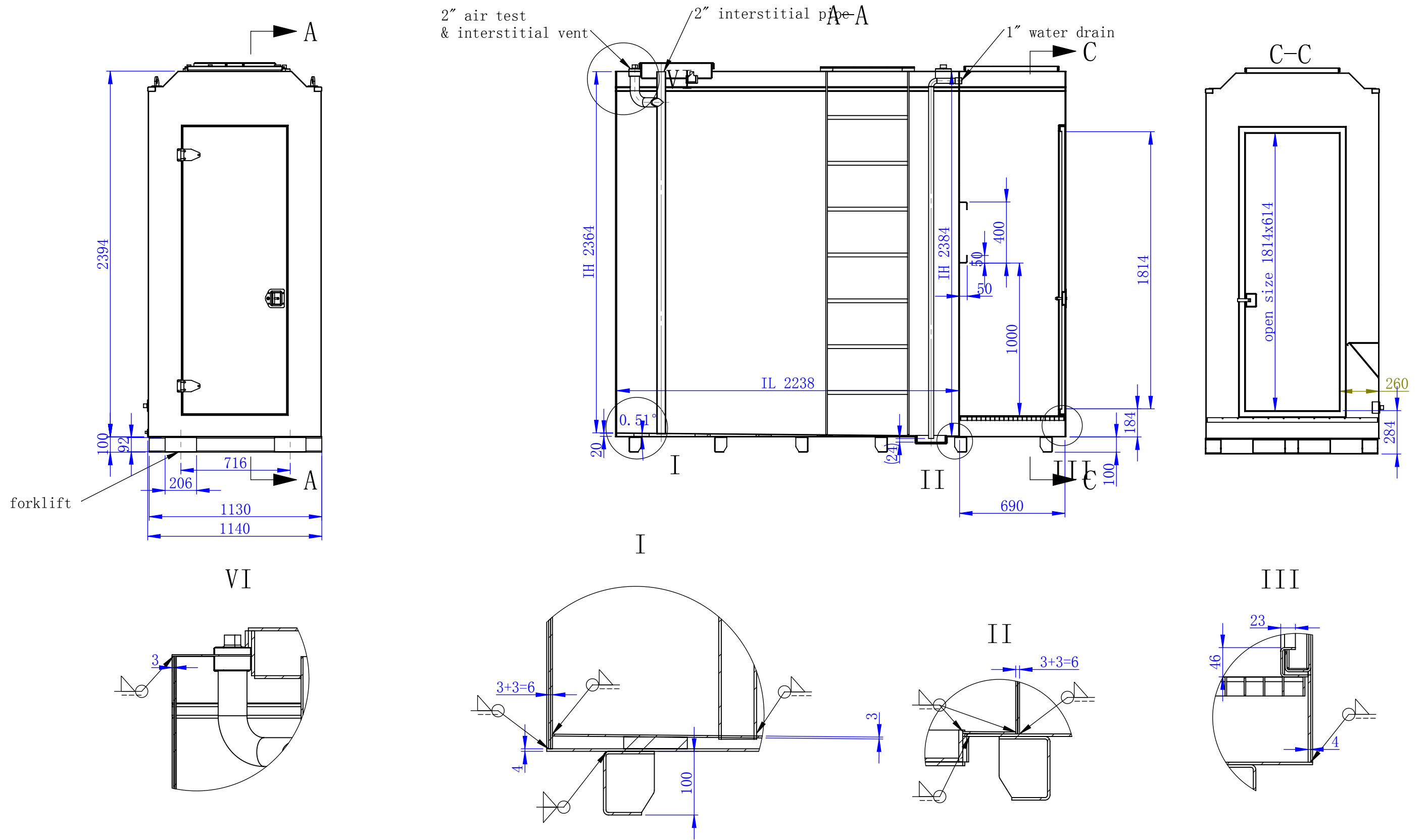
DRAWN: SAVING DATE: 2016/11/15  
 CHECKED: DATE:  
 CLIENT: DATE:  
 APPROVED: DATE:

TITLE: 5500L CEA Store  
 DRAWING NO. :  
 PURCHASE ORDER NO. :

REV:  
 SHEET: 2 of 4  
 Scale: No scale

A3





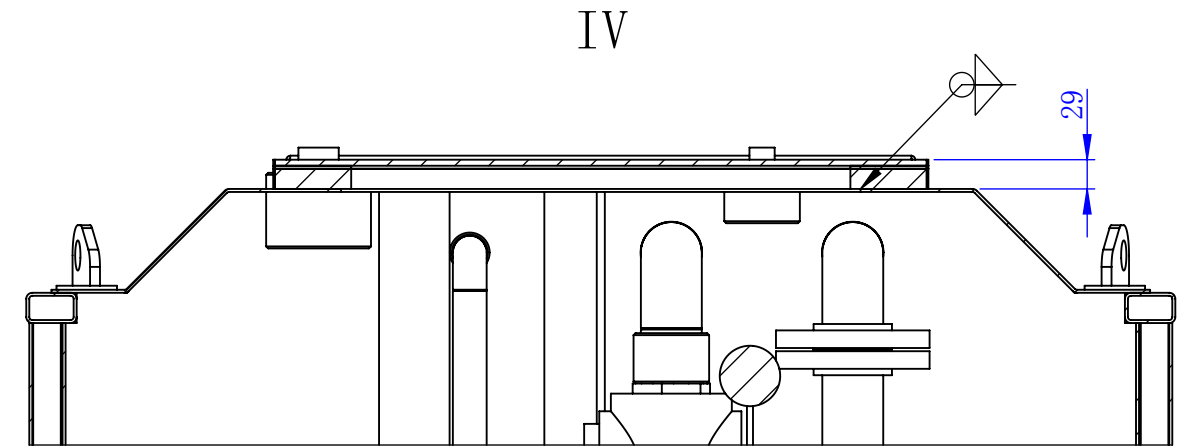
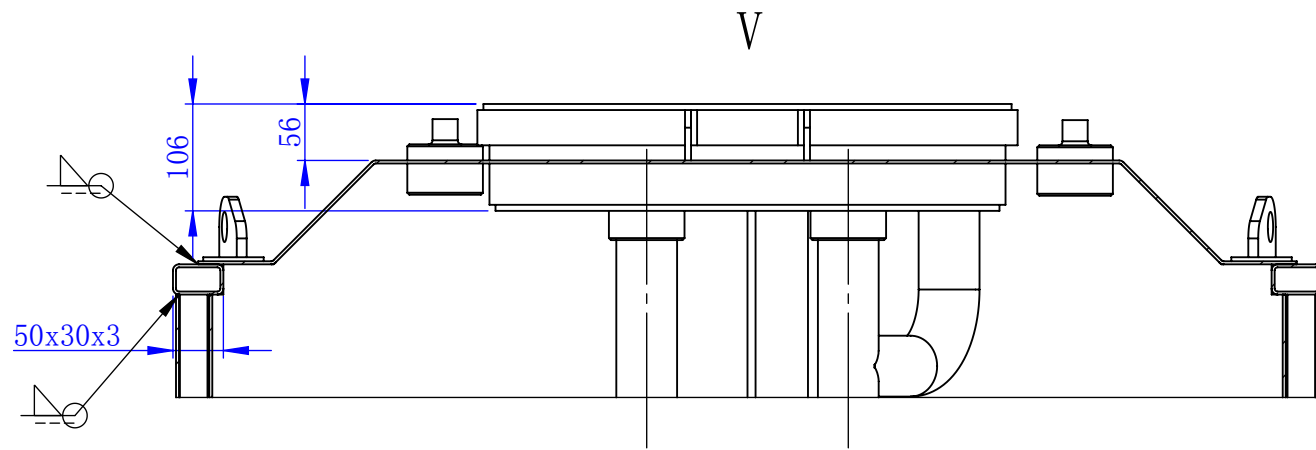
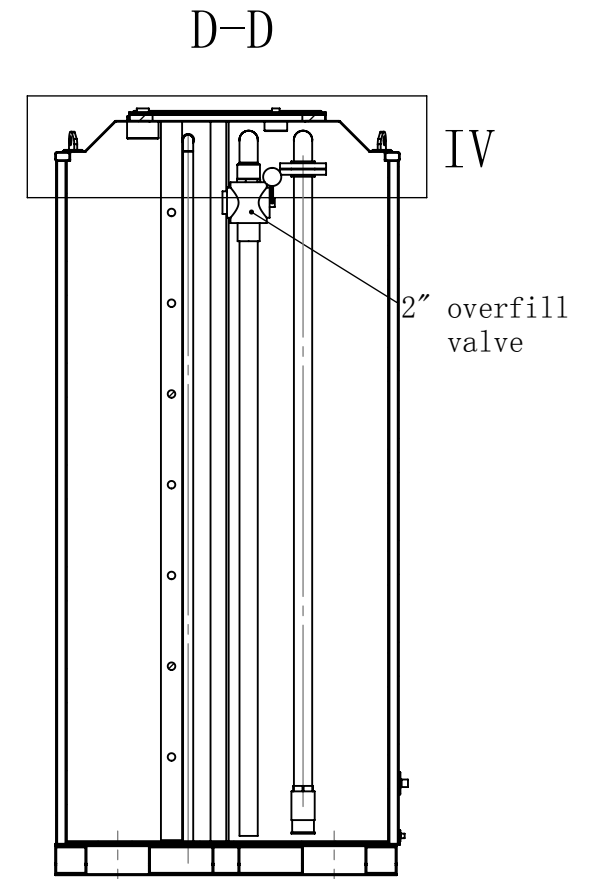
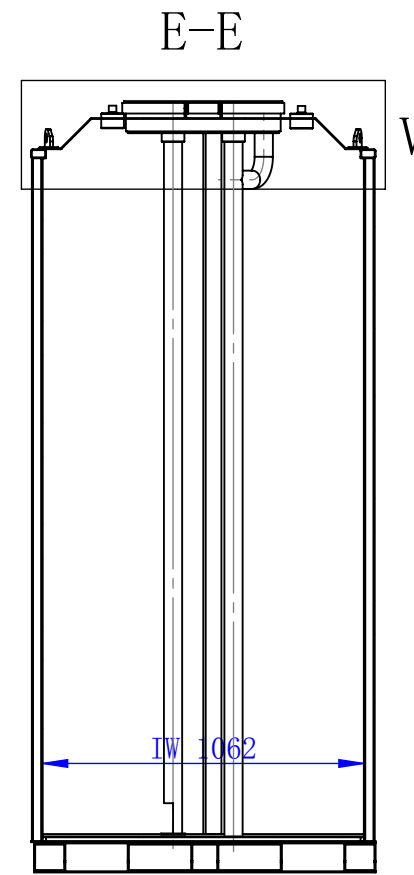
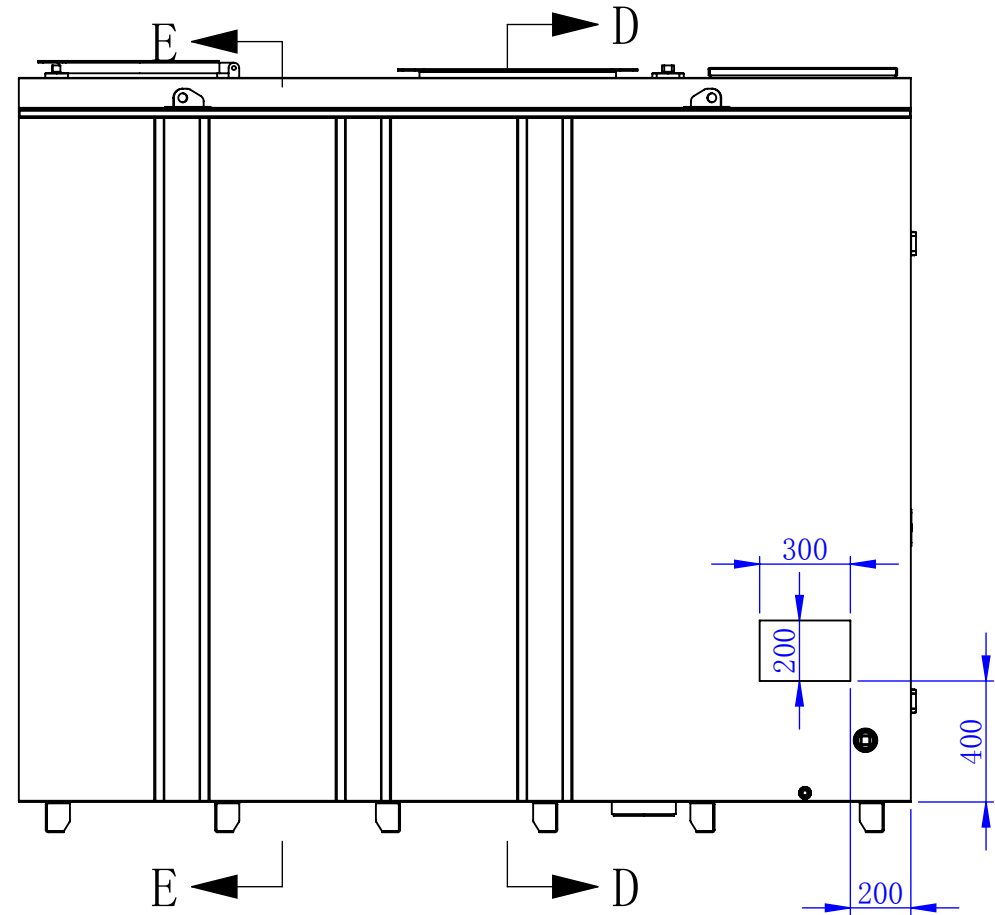
07					
06					
05					
04					
03					
02					
01					
REV:	DATE:	REVISION:	DRAWN:	CHECKED:	APPROVED:



Material:   
 Weight: 1477.29KG

DRAWN:	SAVING DATE: 2016/11/15
CHECKED:	DATE:
CLIENT:	DATE:
APPROVED:	DATE:

TITLE: 5500L CEA Store	REV:	A3
DRAWING NO. :	SHEET: 3 of 4	
PURCHASE ORDER NO. :	Scale: No scale	⊕ - ▢



07					
06					
05					
04					
03					
02					
01					
REV:	DATE:	REVISION:	DRAWN:	CHECKED:	APPROVED:



Material:  
Weight: 1477.29KG

DRAWN:  
CHECKED:  
CLIENT:  
APPROVED:

SAVING DATE: 2016/11/15  
DATE:  
DATE:  
DATE:

TITLE: 5500L CEA Store  
DRAWING NO. :  
PURCHASE ORDER NO. :

REV:  
SHEET: 4 of 4  
Scale: No scale

A3

