

07					
06					
05					
04					
03					
02					
01	/ /				
REV:	DATE:	REVISION:	DRAWN:	CHECKED:	APPROVED:

Note:
 > Designed and approved to AS1940 / AS1692 / AS1657
 > All welding to AS1554.1



Material:
 Weight: 868.08KG

DRAWN: SAVING DATE: 2016/11/15
 CHECKED: DATE:
 CLIENT: DATE:
 APPROVED: DATE:

TITLE:
 2500L CEA Store

DRAWING NO. :

PURCHASE ORDER NO. :

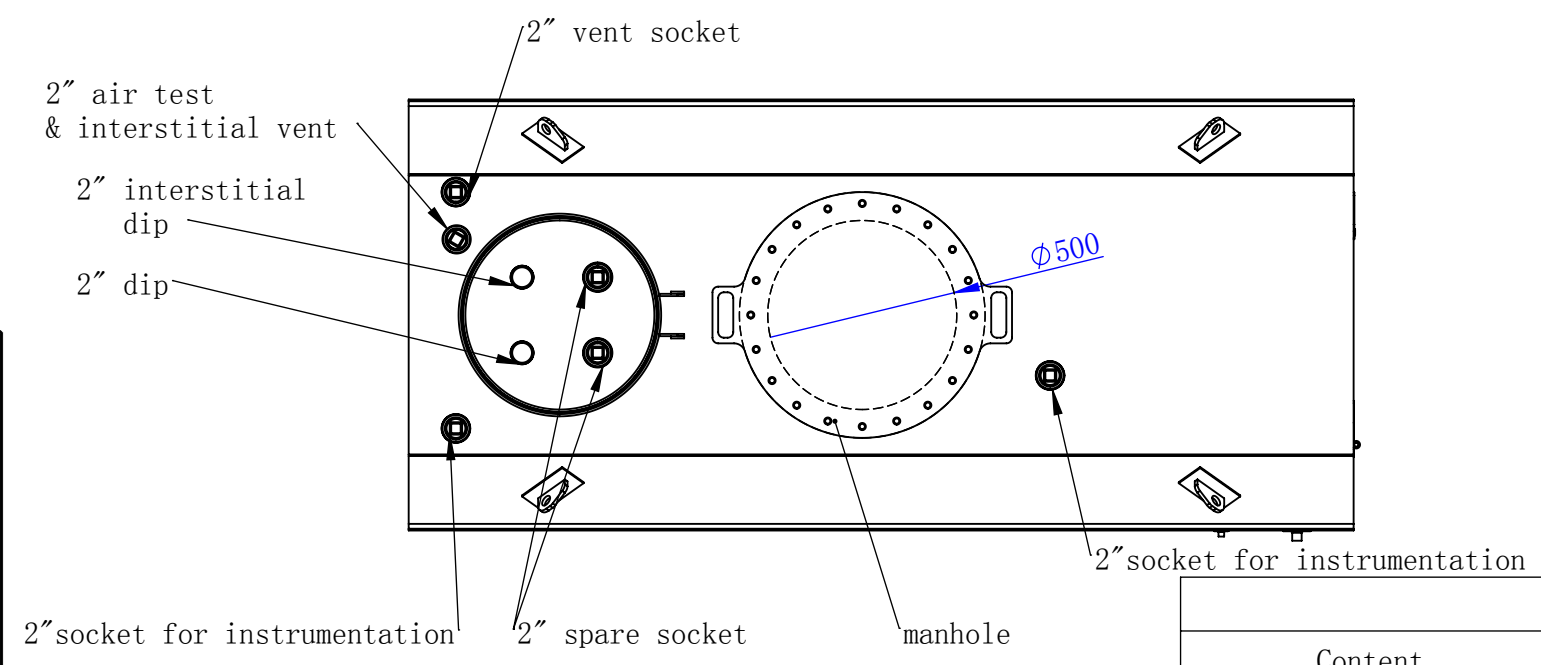
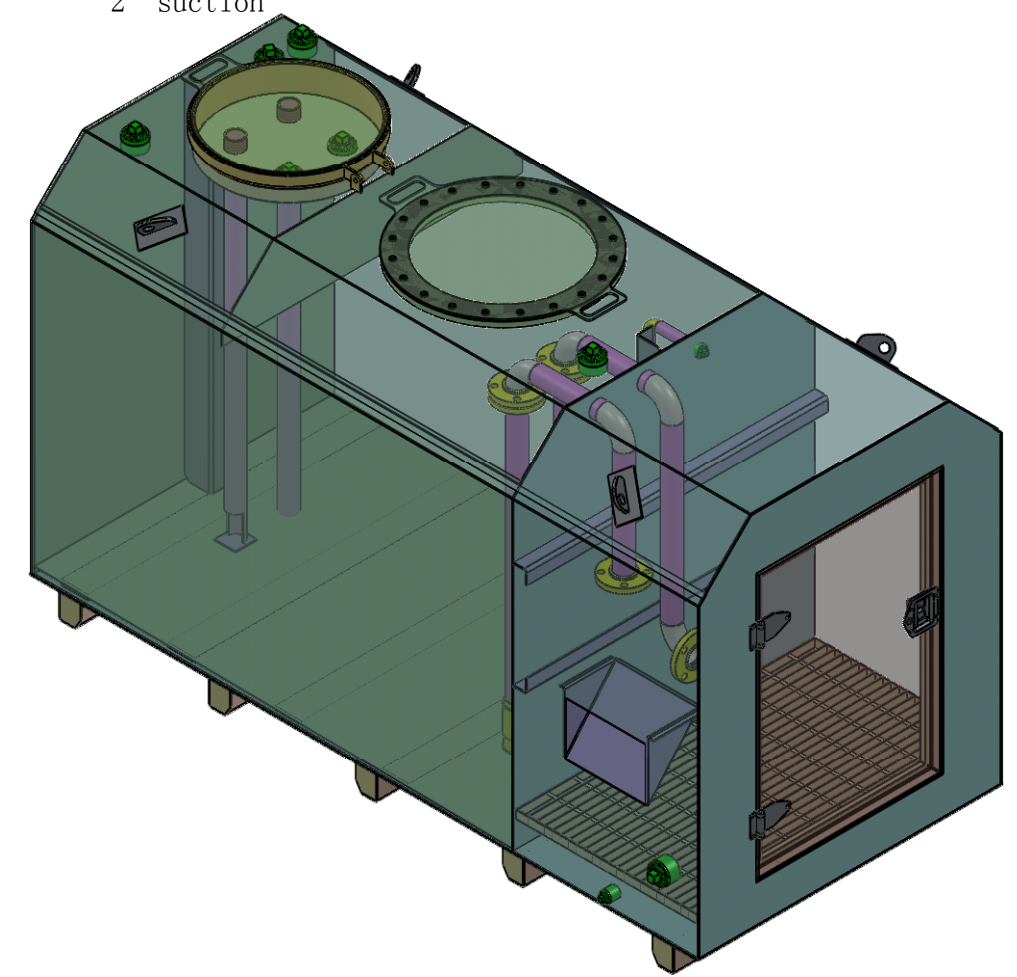
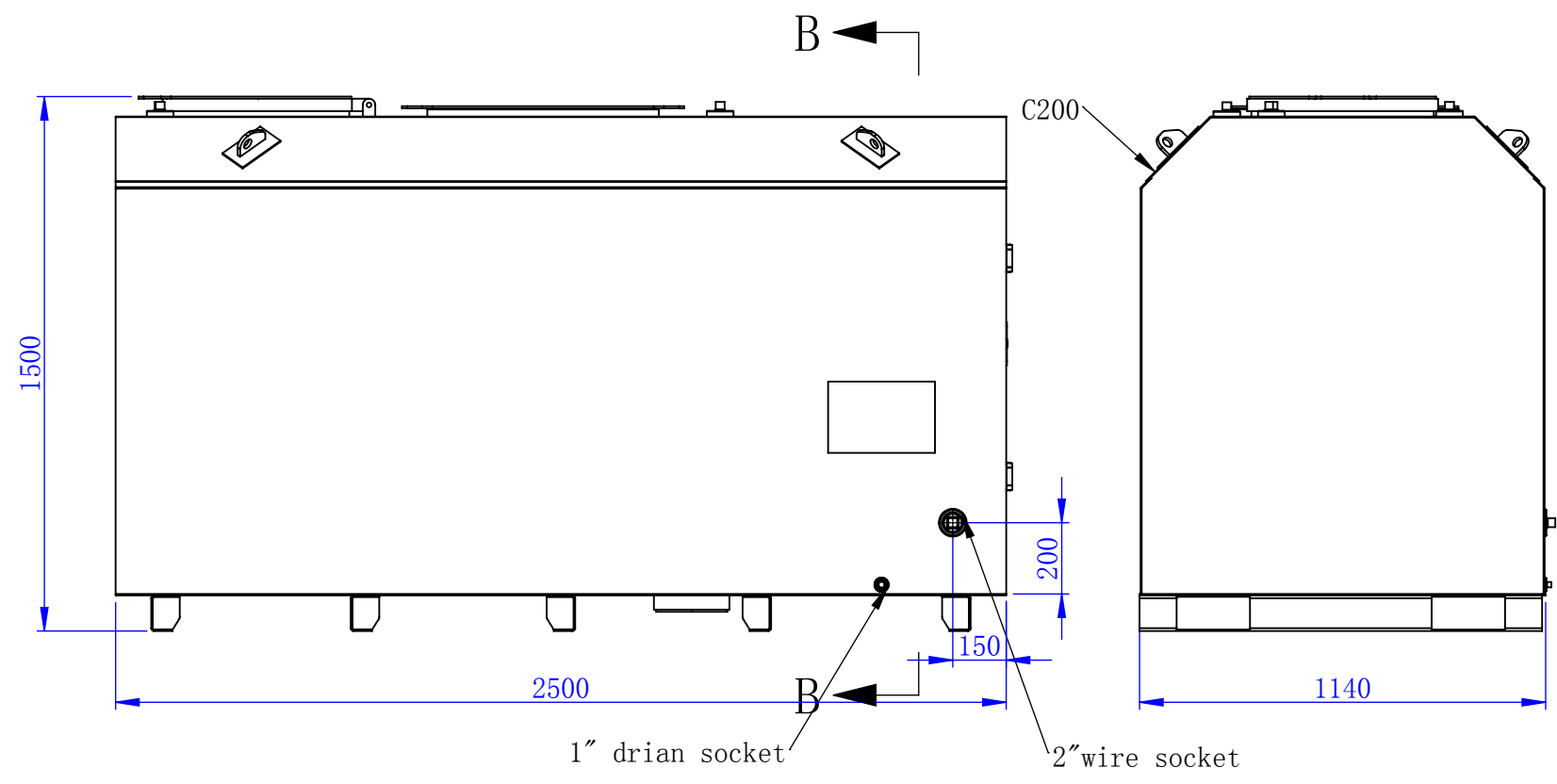
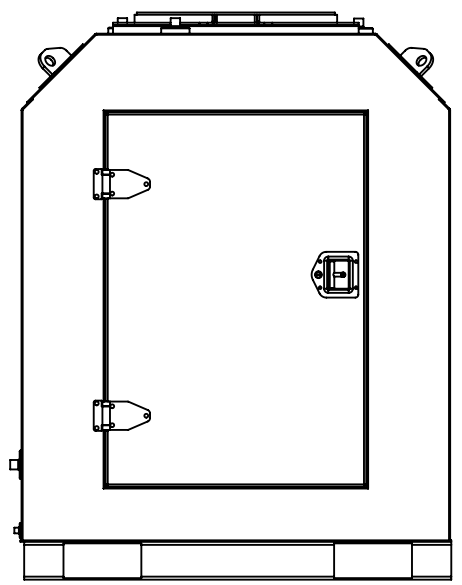
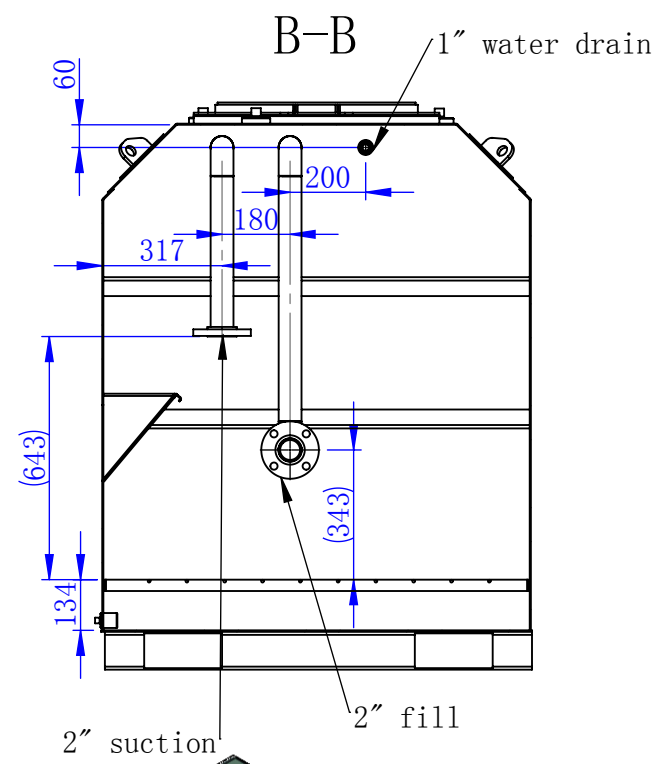
REV:

SHEET:
 1 of 4

Scale:
 No scale

A3





Tank	
Content	Diesel
External size	LWH 2500x1140x1500mm
Internal size	LWH 1788x1122x1334mm
Total volume	2520L
Safe volume	2250L

07					
06					
05					
04					
03					
02					
01					
REV:	DATE:	REVISION:	DRAWN:	CHECKED:	APPROVED:



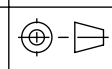
Material: _____
Weight: 868.08KG

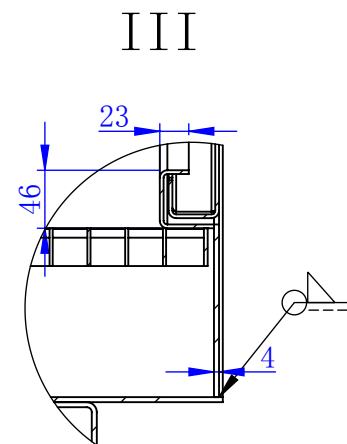
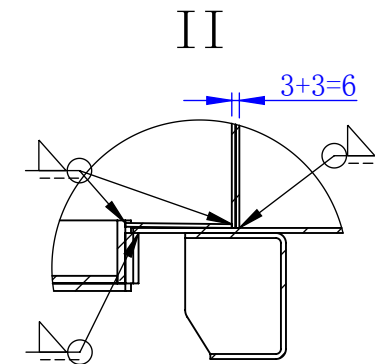
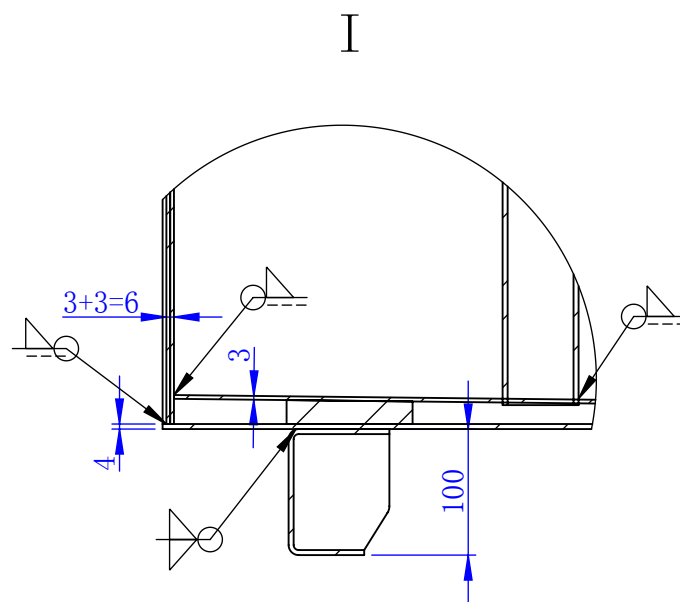
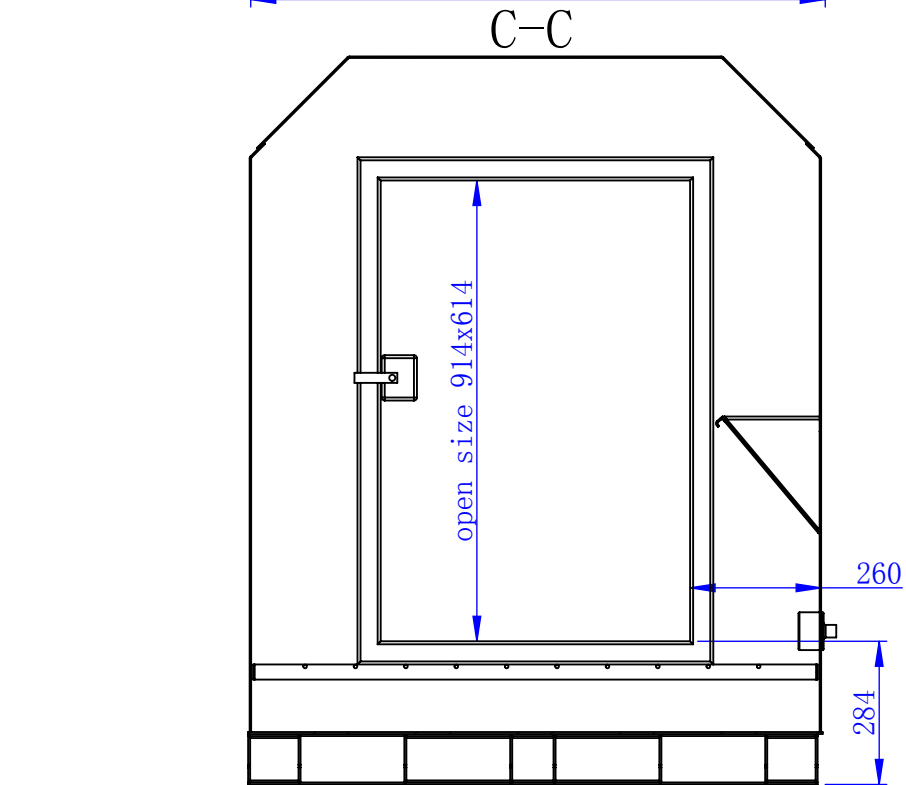
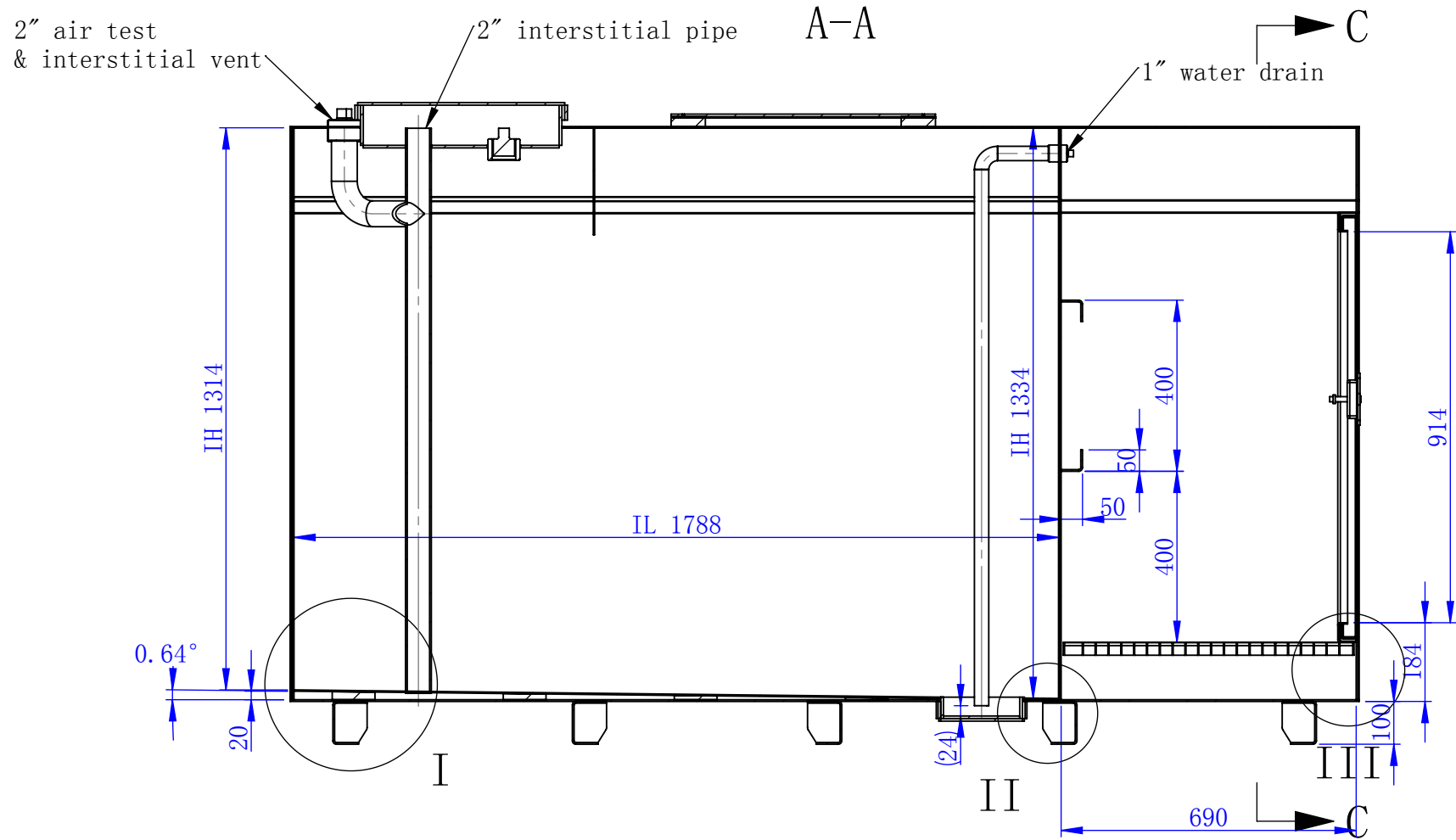
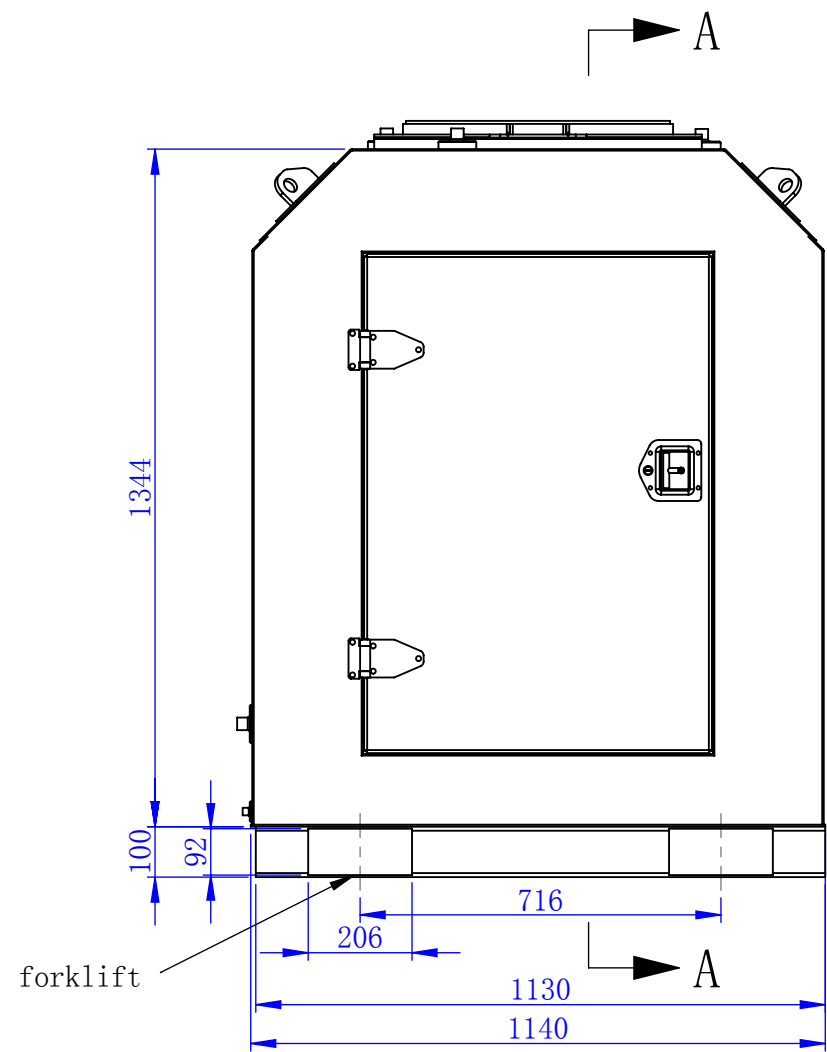
DRAWN: _____
CHECKED: _____
CLIENT: _____
APPROVED: _____

SAVING DATE: 2016/11/15
DATE: _____
DATE: _____
DATE: _____

TITLE: 2500L CEA Store
DRAWING NO. : _____
REV: _____
SHEET: 2 of 4
PURCHASE ORDER NO. : _____
Scale: No scale

A3





07					
06					
05					
04					
03					
02					
01					
REV:	DATE:	REVISION:	DRAWN:	CHECKED:	APPROVED:



Material:
Weight: 868.08KG

DRAWN:
CHECKED:
CLIENT:
APPROVED:

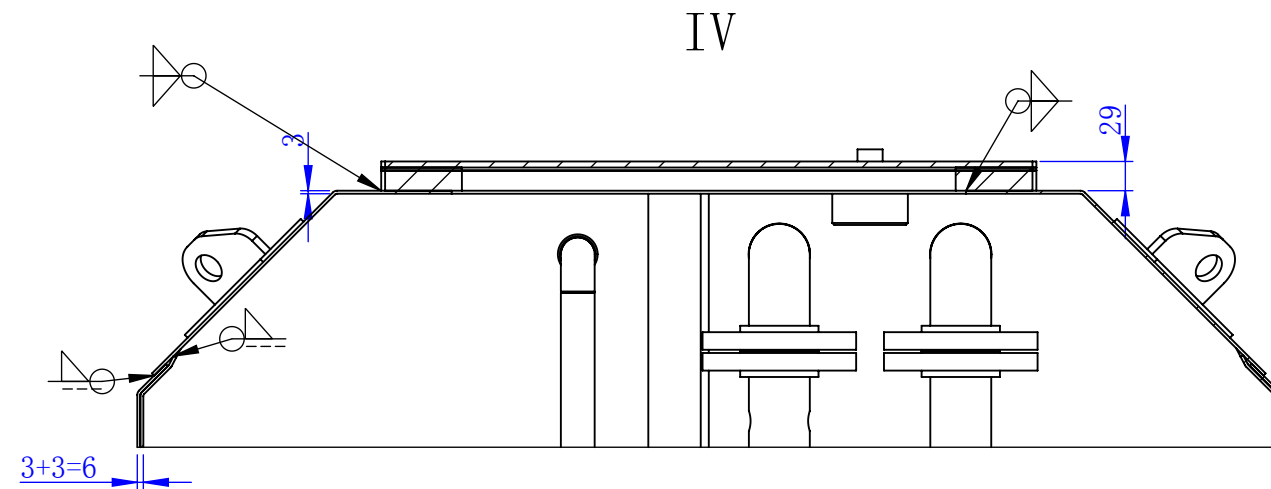
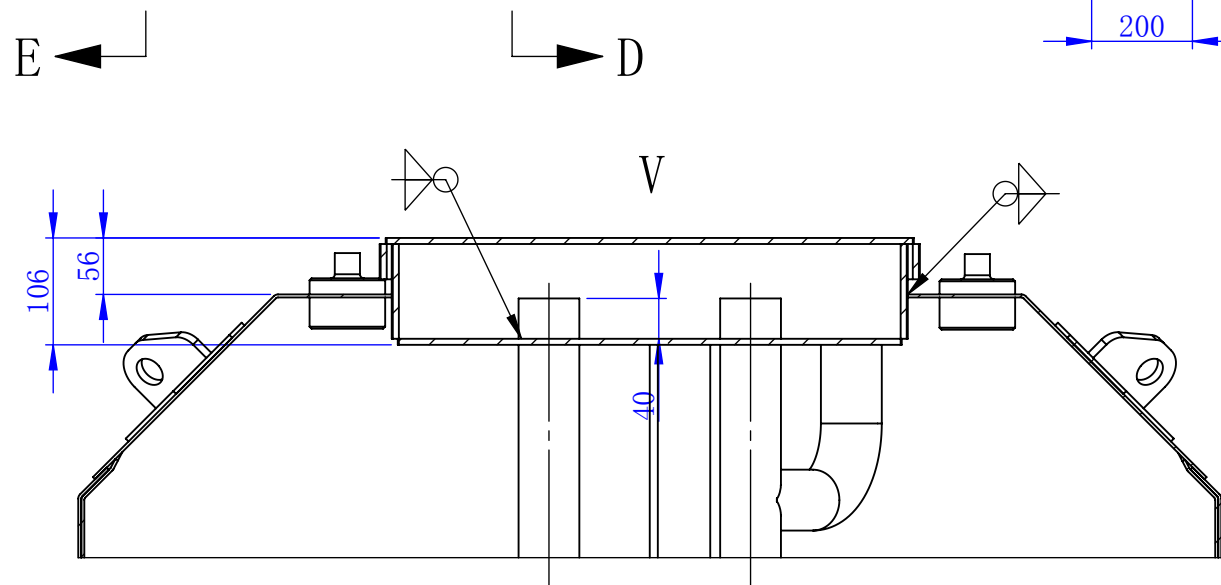
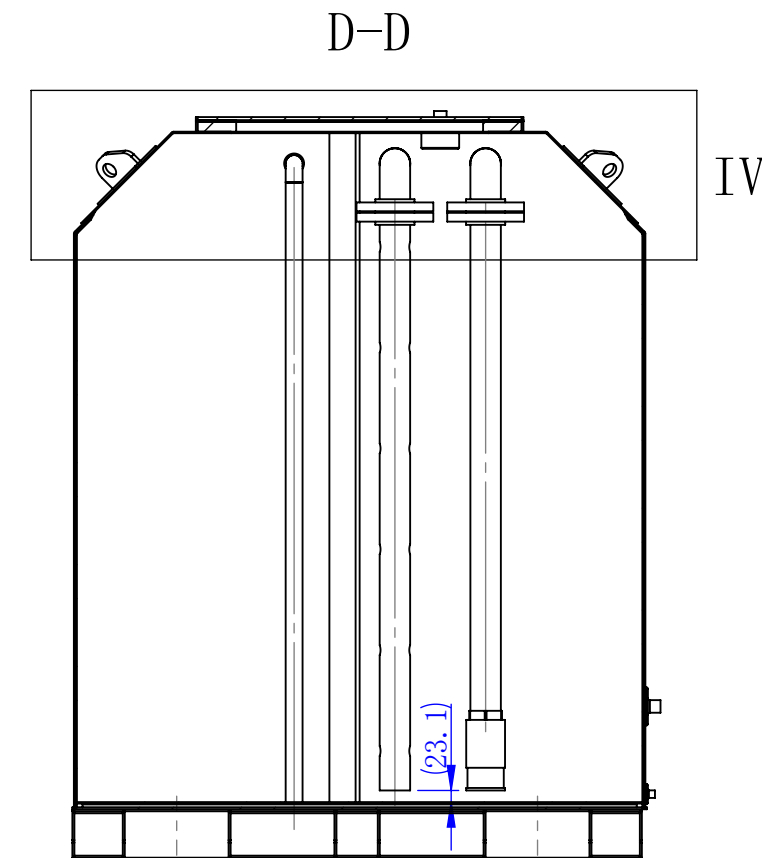
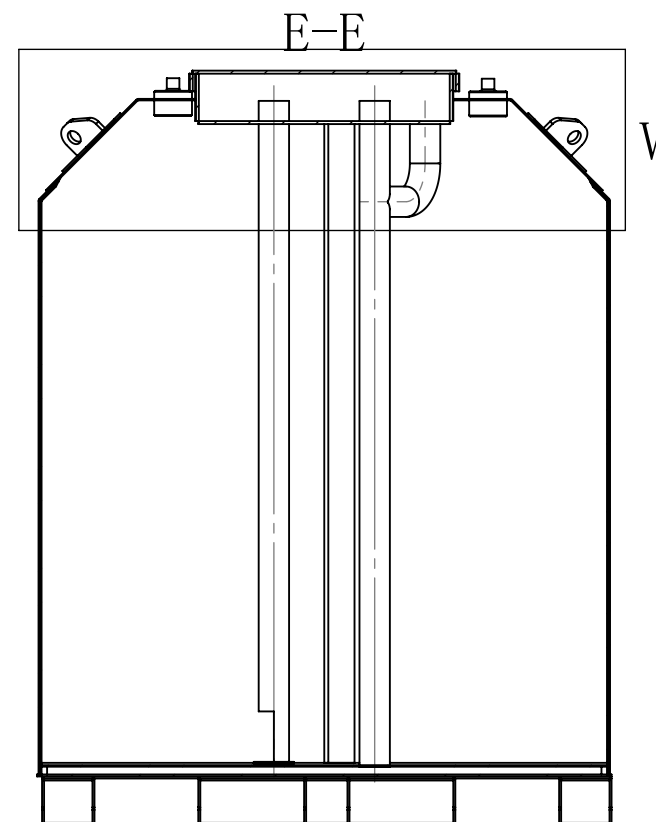
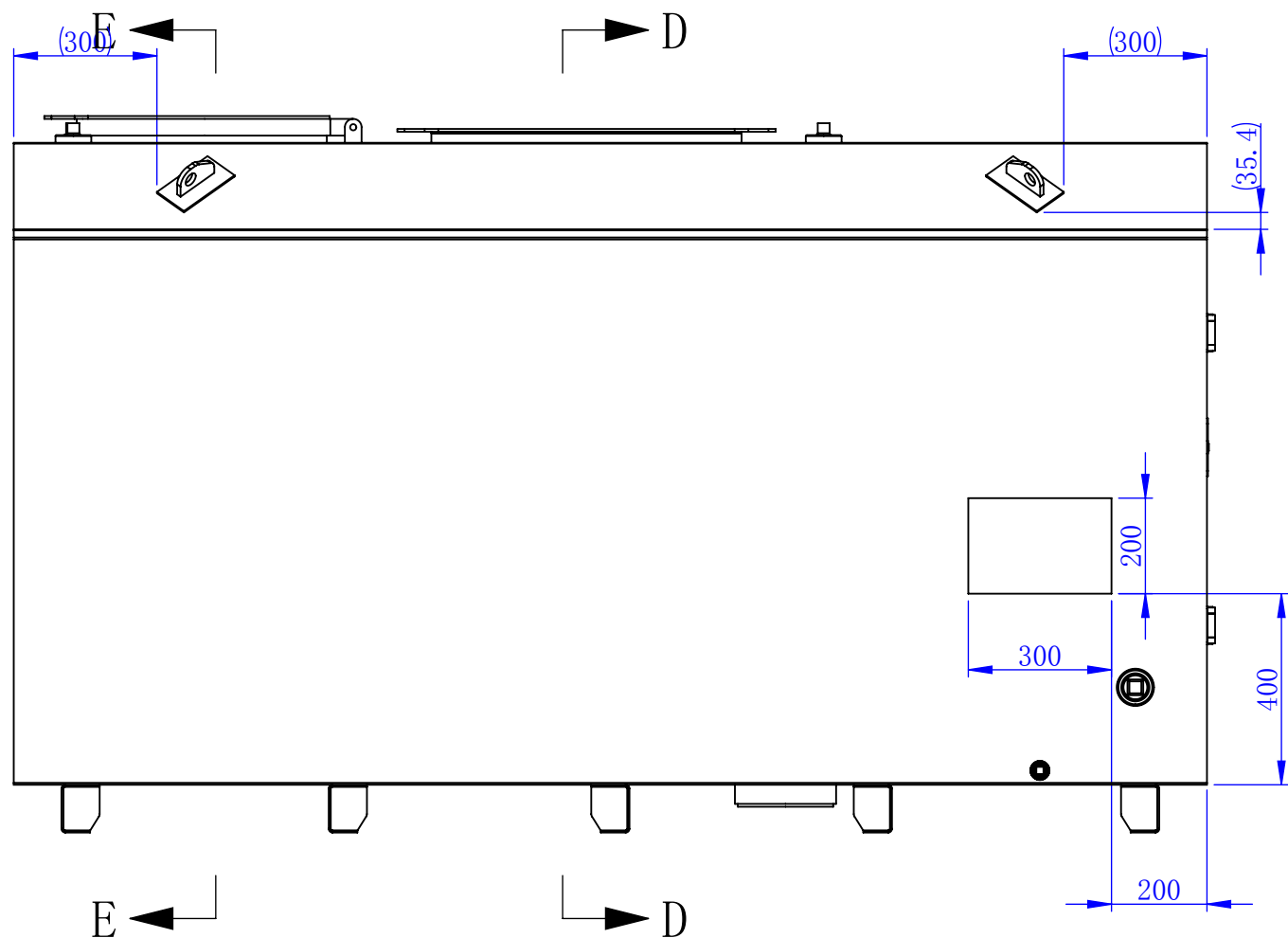
SAVING DATE: 2016/11/15
DATE:
DATE:
DATE:

TITLE: 2500L CEA Store
DRAWING NO. :
PURCHASE ORDER NO. :

REV:
SHEET: 3 of 4
Scale: No scale

A3





07					
06					
05					
04					
03					
02					
01					
REV:	DATE:	REVISION:	DRAWN:	CHECKED:	APPROVED:



Material:
Weight: 868.08KG

DRAWN: SAVING DATE: 2016/11/15
 CHECKED: DATE:
 CLIENT: DATE:
 APPROVED: DATE:

TITLE: 2500L CEA Store
 DRAWING NO. :
 PURCHASE ORDER NO. :

REV:
 SHEET: 4 of 4
 Scale: No scale

A3

