

07					
06					
05					
04					
03					
02					
01	/ /				
REV:	DATE:	REVISION:	DRAWN:	CHECKED:	APPROVED:

Note:  
 > Designed and approved to AS1940 / AS1692 / AS1657  
 > All welding to AS1554.1



Material:  
 Weight: 3779.08KG

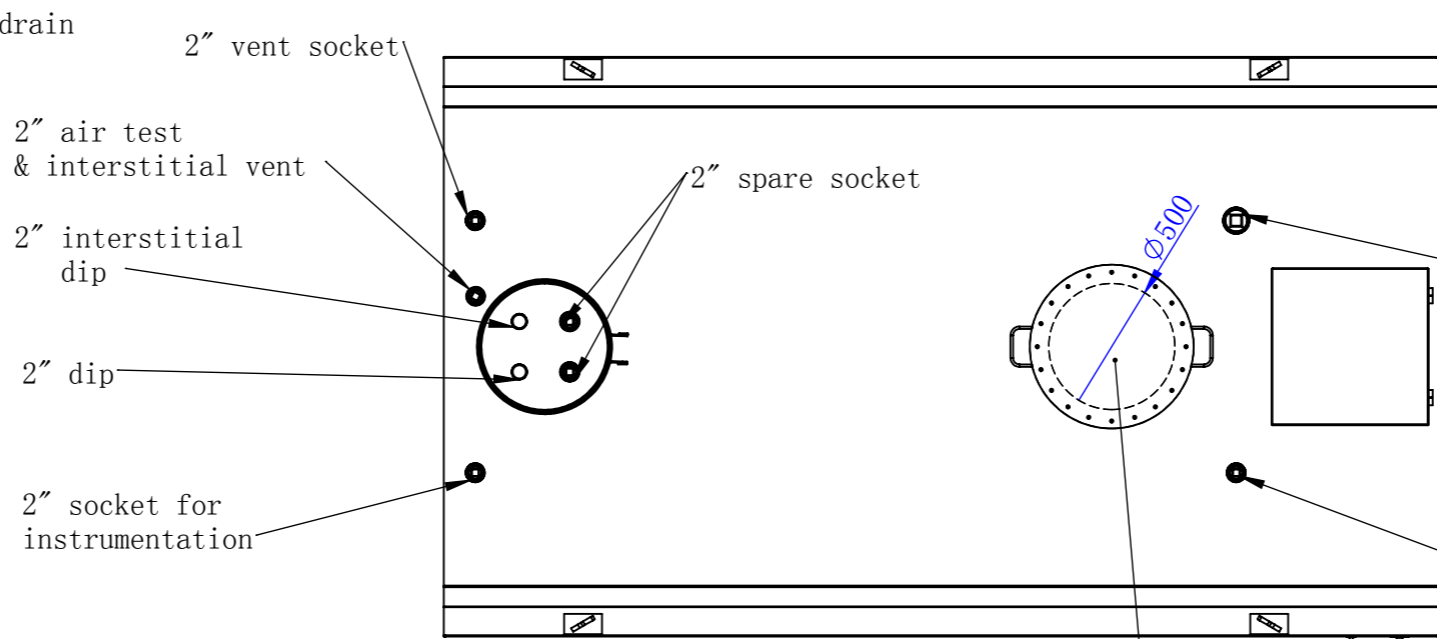
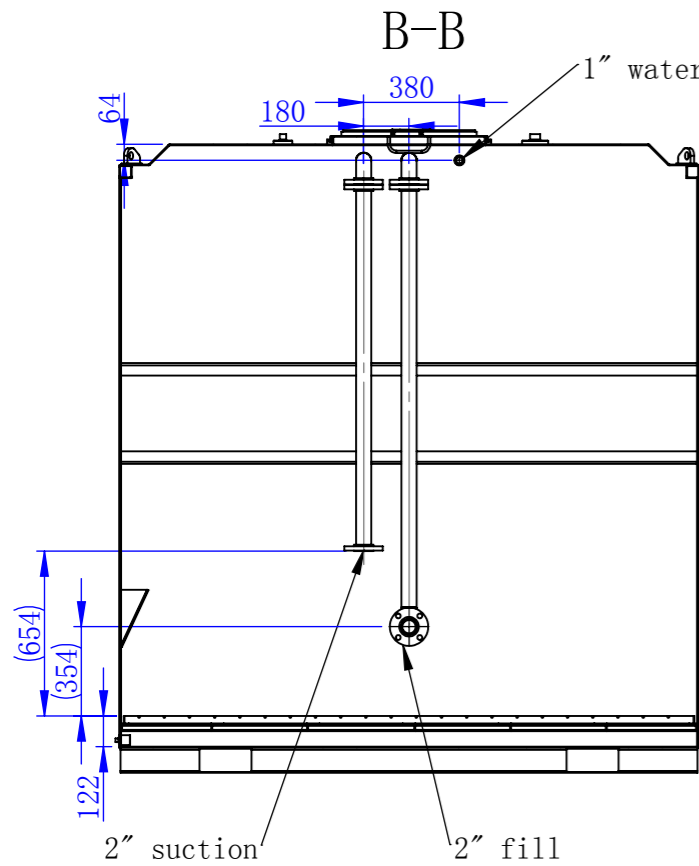
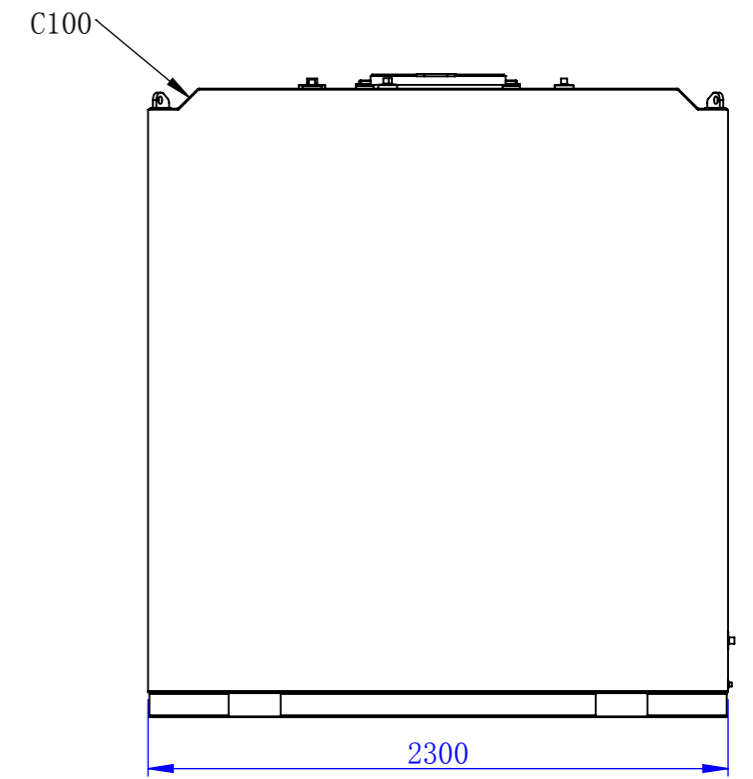
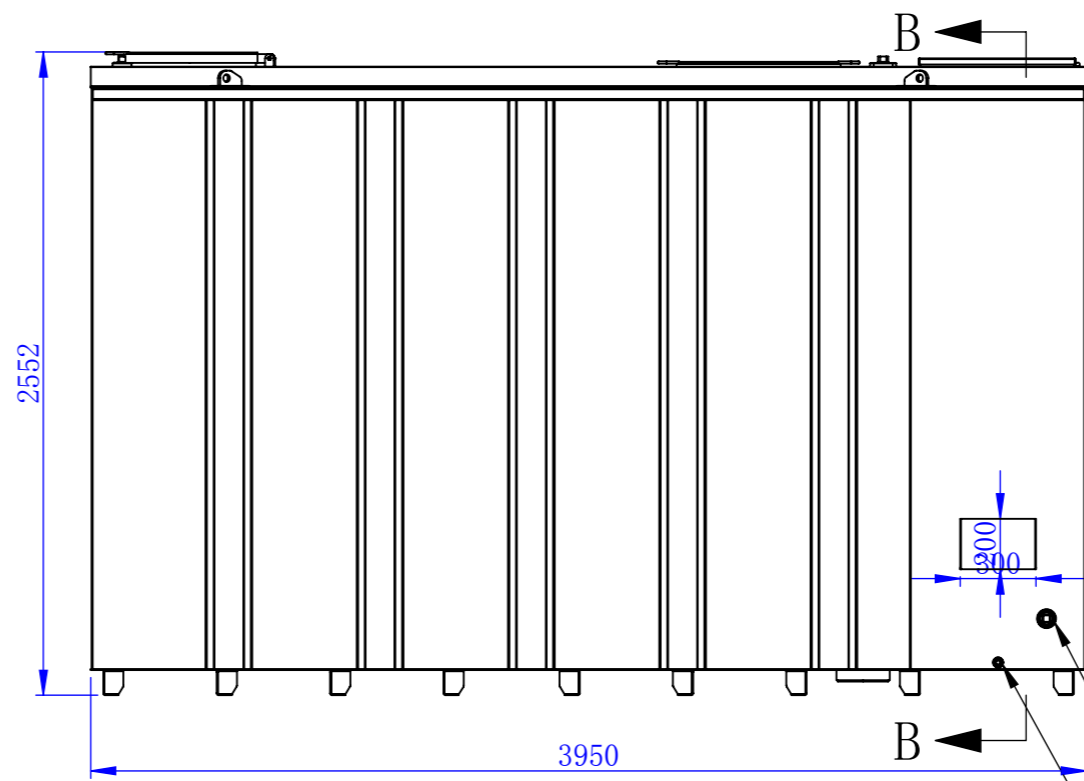
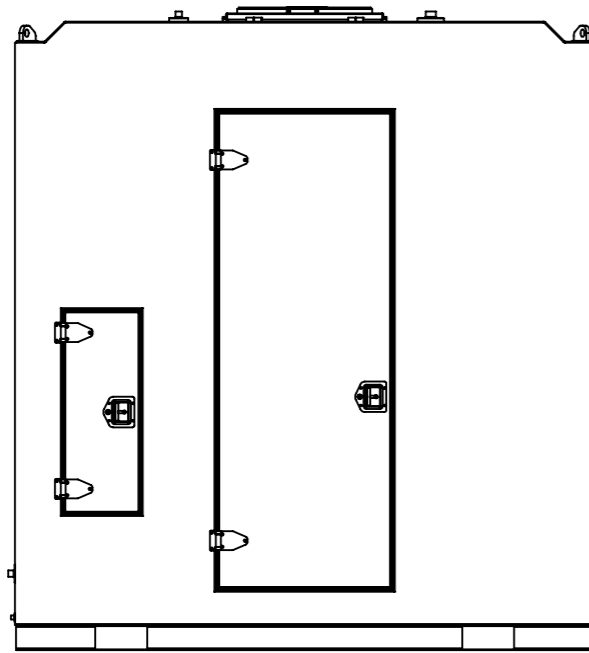
DRAWN:      SAVING DATE: 2017/9/21  
 CHECKED:    DATE:  
 CLIENT:      DATE:  
 APPROVED:   DATE:

TITLE:  
 16000L CEA STORE  
 DRAWING NO. :  
 PURCHASE ORDER NO. :

REV:  
 SHEET:  
 1 of 5  
 Scale:  
 No scale

A3





Tank	
Content	Diesel
External size	LWH 3950x2300x2550mm
Internal size	LWH 3230x2212x2381mm
Total volume	16500L
Safe volume (95%)	15600L

07					
06					
05					
04					
03					
02					
01					
REV:	DATE:	REVISION:	DRAWN:	CHECKED:	APPROVED:



Material: \_\_\_\_\_  
Weight: 3779.08KG

DRAWN: \_\_\_\_\_  
CHECKED: \_\_\_\_\_  
CLIENT: \_\_\_\_\_  
APPROVED: \_\_\_\_\_

SAVING DATE: 2017/9/21  
DATE: \_\_\_\_\_  
DATE: \_\_\_\_\_  
DATE: \_\_\_\_\_

TITLE: 16000L CEA STORE

DRAWING NO. : \_\_\_\_\_

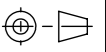
REV: \_\_\_\_\_

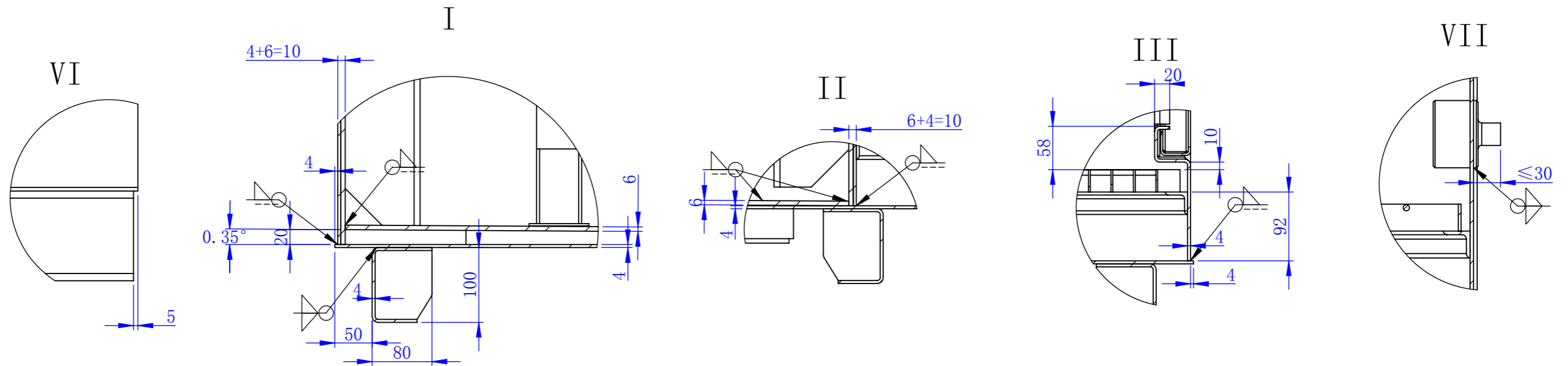
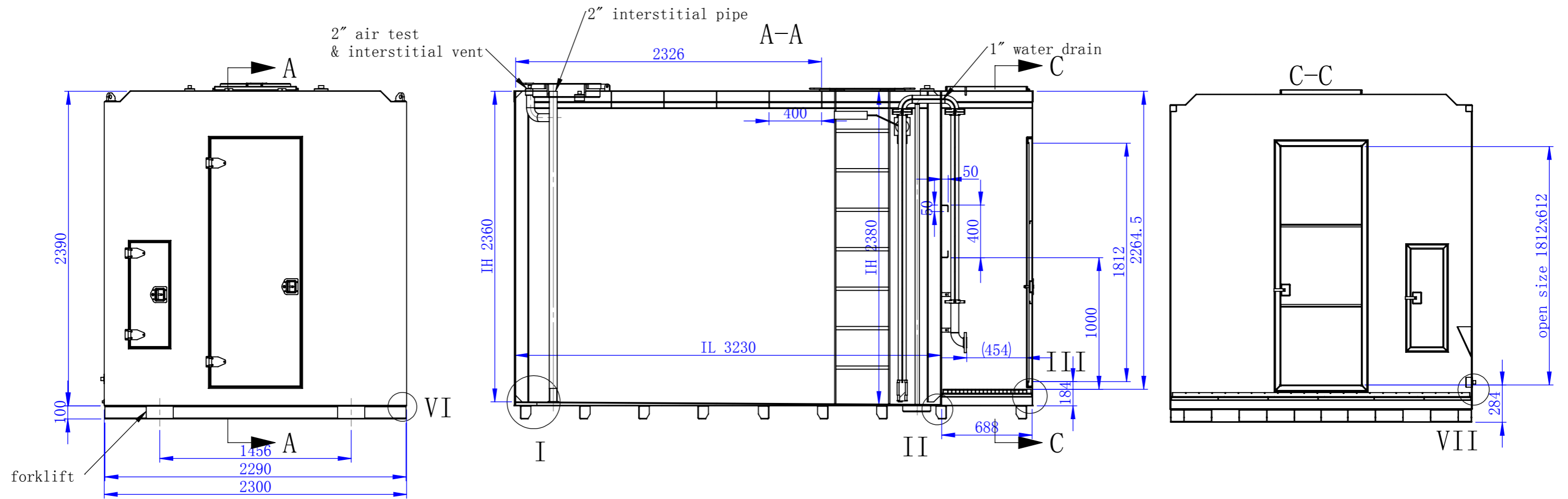
SHEET: 2 of 5

Scale: No scale

PURCHASE ORDER NO. : \_\_\_\_\_

A3





07					
06					
05					
04					
03					
02					
01					
REV:	DATE:	REVISION:	DRAWN:	CHECKED:	APPROVED:



Material:  
Weight: 3779.08KG

DRAWN:  
CHECKED:  
CLIENT:  
APPROVED:

SAVING DATE:  
2017/9/21  
DATE:  
DATE:  
DATE:

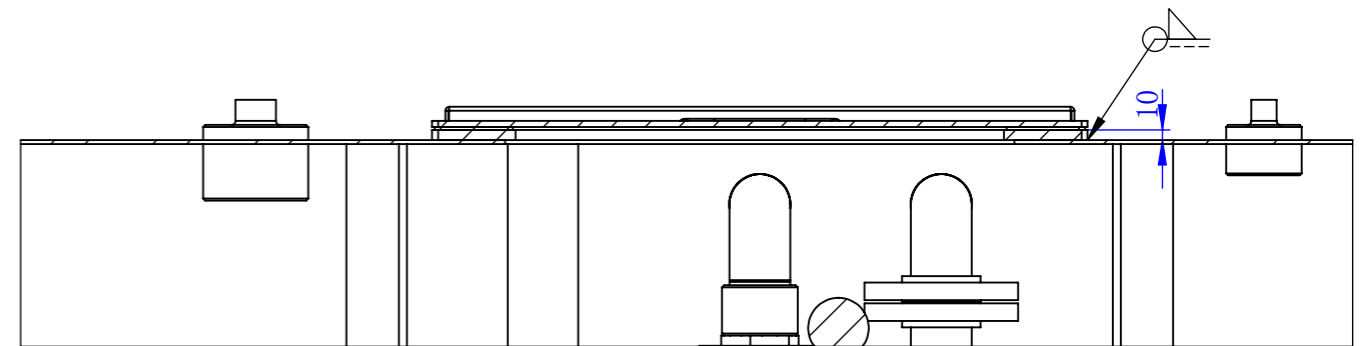
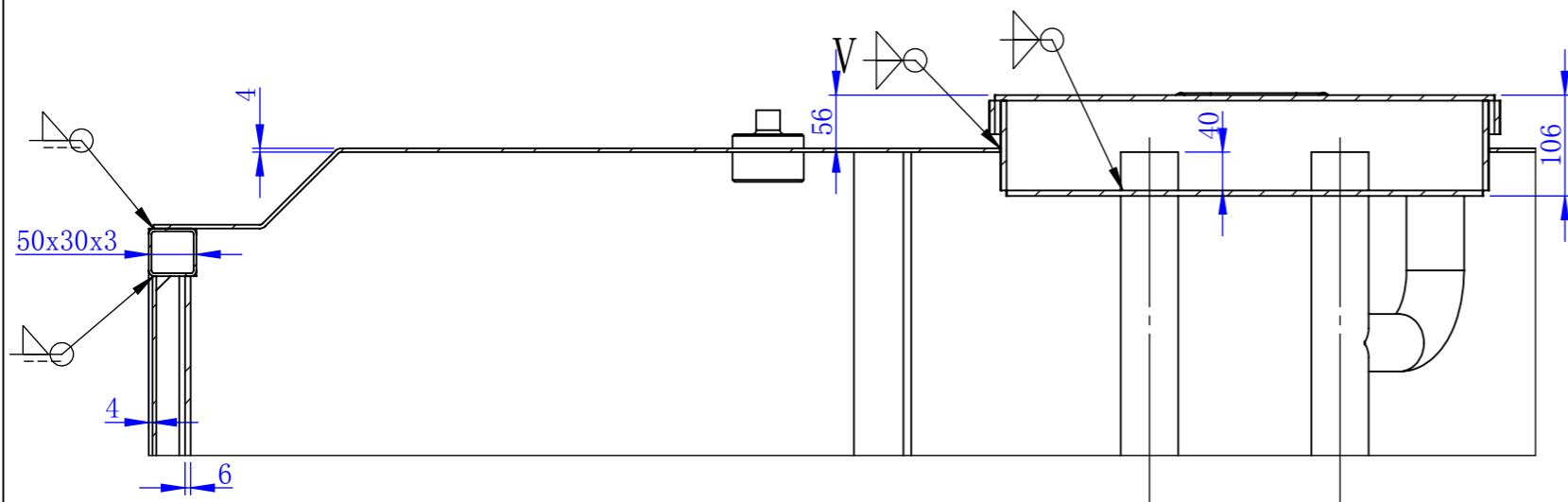
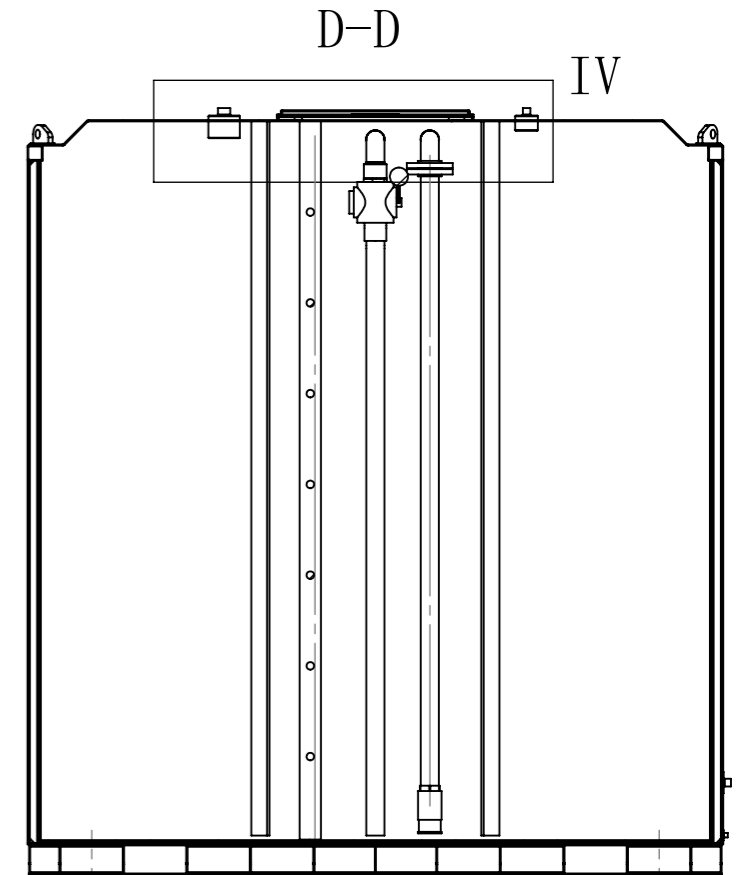
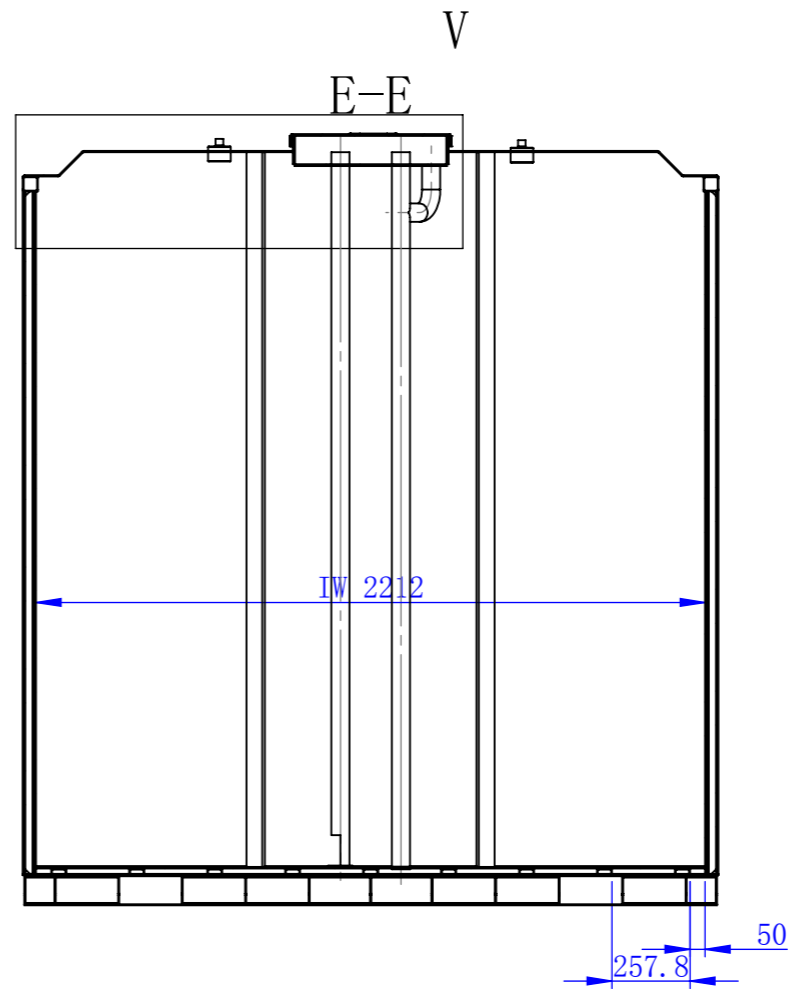
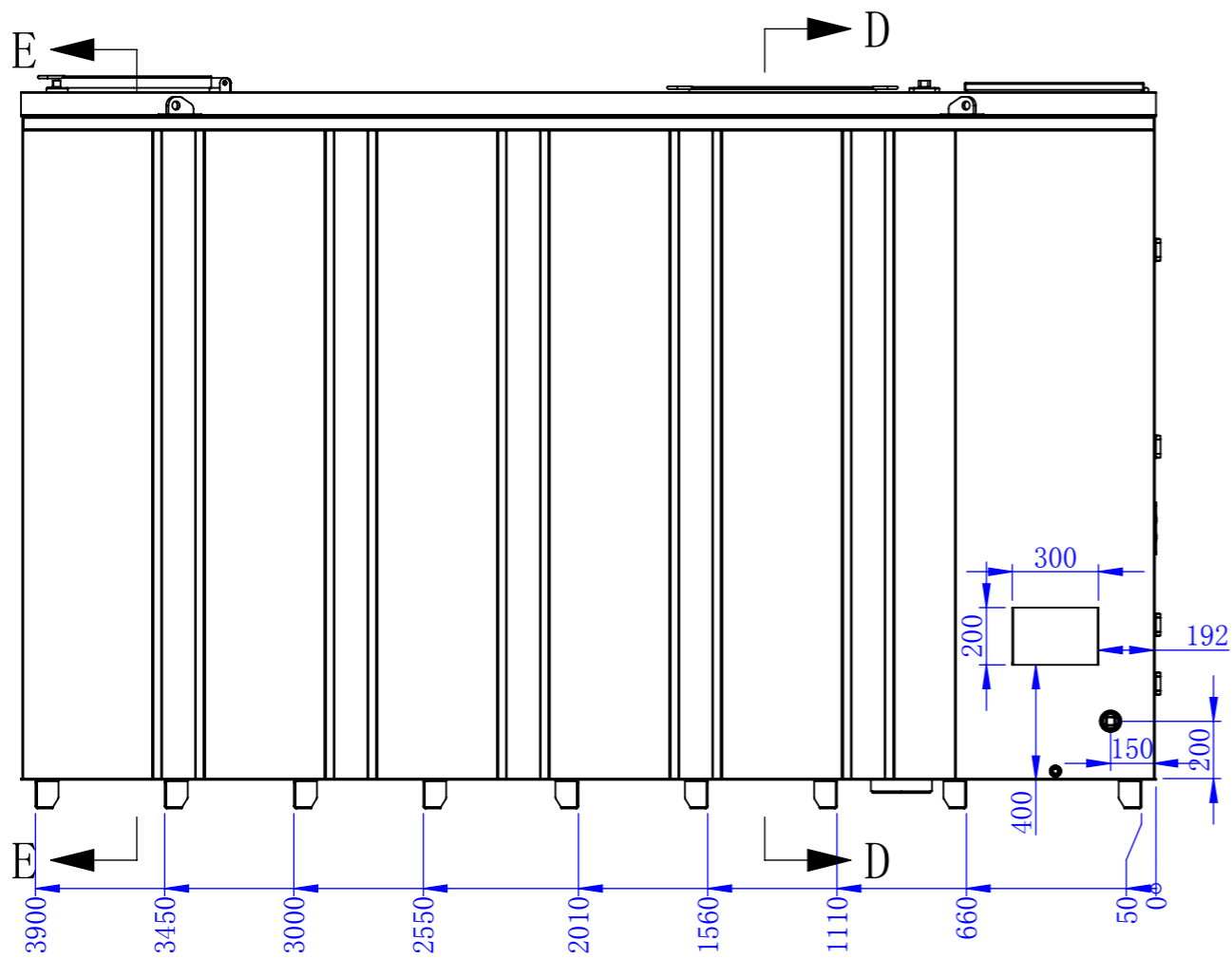
TITLE:  
16000L CEA STORE

DRAWING NO. :

PURCHASE ORDER NO. :

REV:  
SHEET:  
3 of 5  
Scale:  
No scale

A3



07					
06					
05					
04					
03					
02					
01					
REV:	DATE:	REVISION:	DRAWN:	CHECKED:	APPROVED:



Material:  
Weight: 3779.08KG

DRAWN: SAVING DATE: 2017/9/21  
 CHECKED: DATE:  
 CLIENT: DATE:  
 APPROVED: DATE:

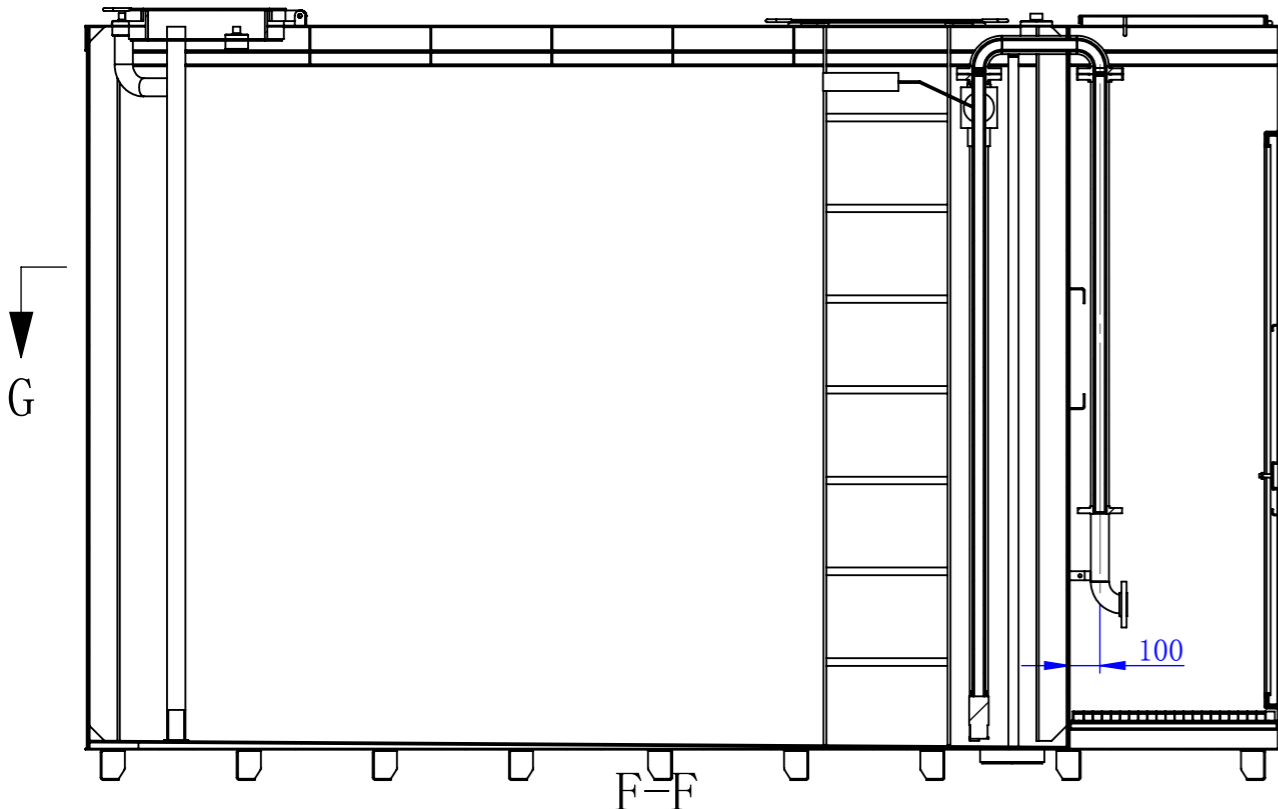
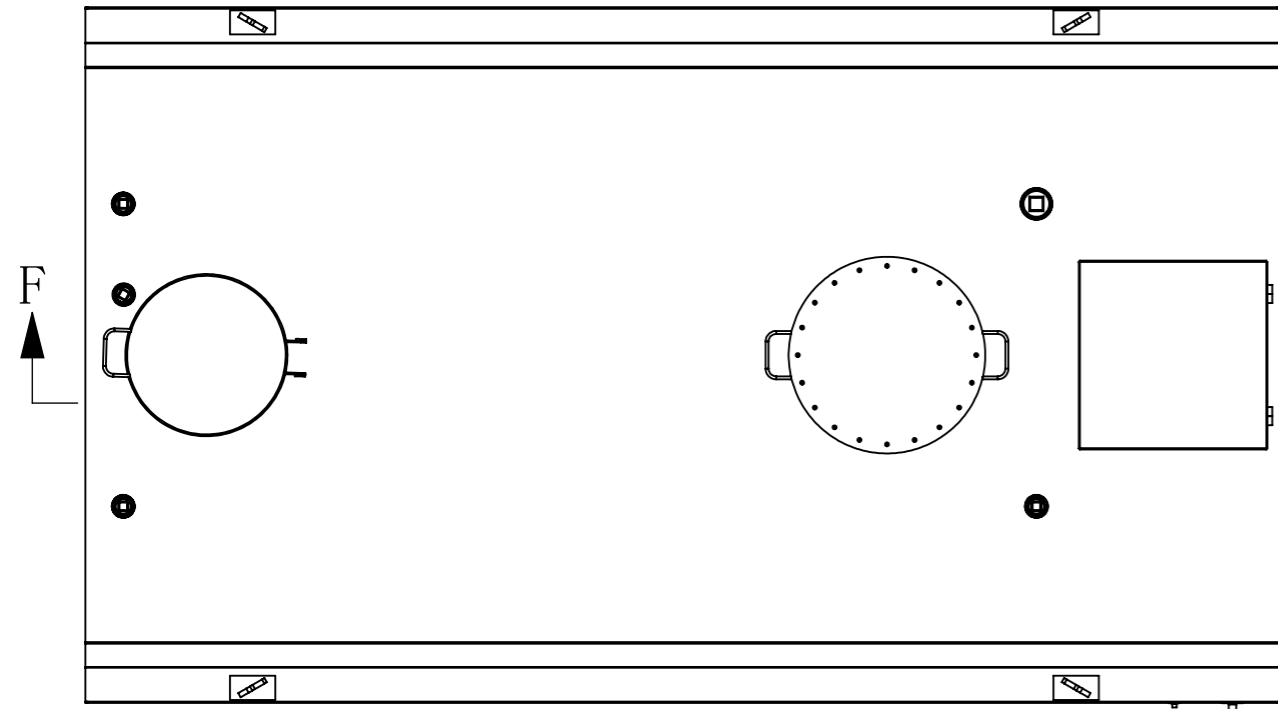
TITLE: 16000L CEA STORE  
 DRAWING NO. :  
 PURCHASE ORDER NO. :

REV:  
SHEET: 4 of 5

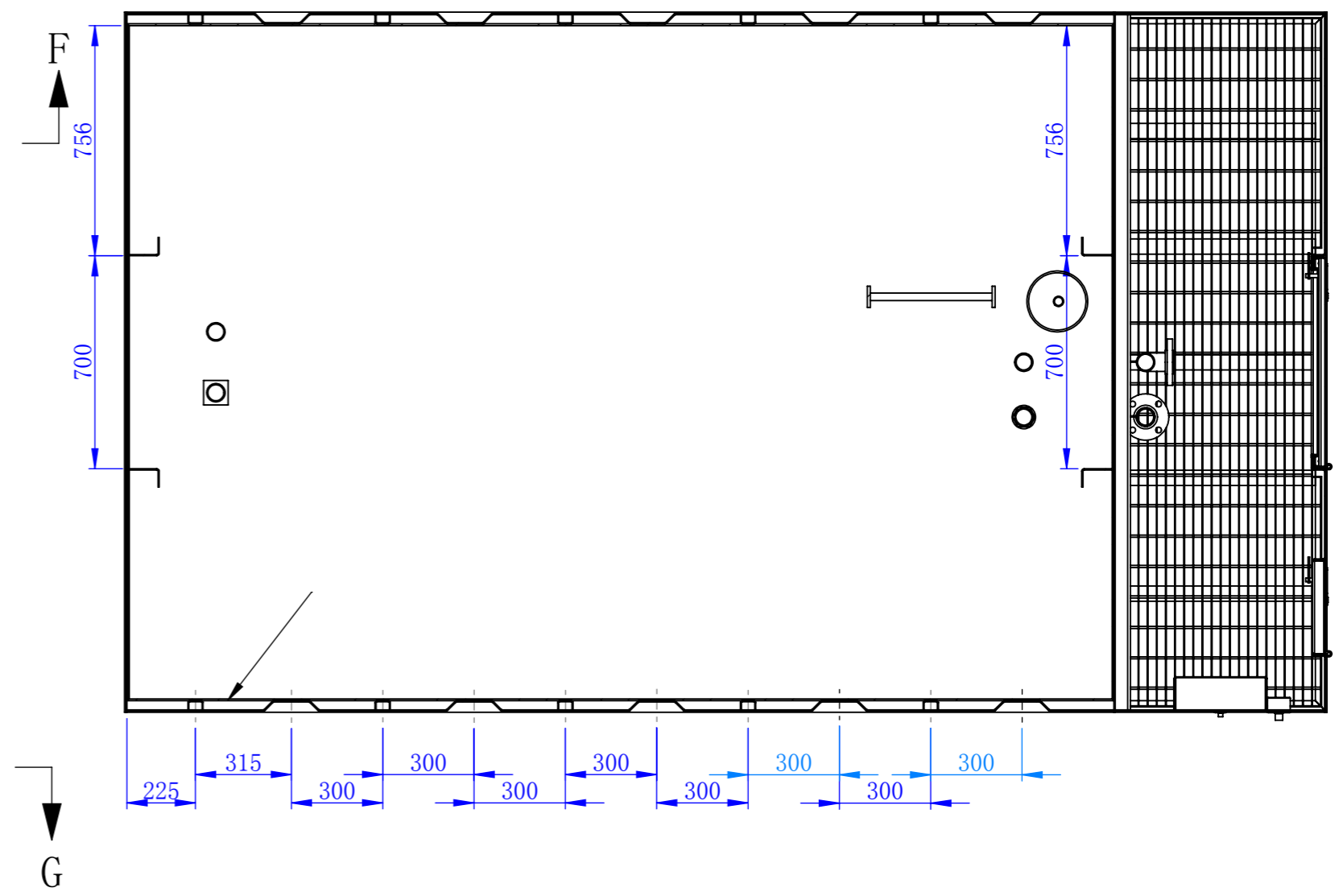
A3

Scale: No scale





G-G



07					
06					
05					
04					
03					
02					
01					
REV:	DATE:	REVISION:	DRAWN:	CHECKED:	APPROVED:



Material:  
Weight: 3779.08KG

DRAWN:	SAVING DATE: 2017/9/21
CHECKED:	DATE:
CLIENT:	DATE:
APPROVED:	DATE:

TITLE: 16000L CEA STORE	
DRAWING NO. :	REV:
PURCHASE ORDER NO. :	SHEET: 5 of 5
	Scale: No scale

A3

