

07					
06					
05					
04					
03					
02					
01	/ /				
REV:	DATE:	REVISION:	DRAWN:	CHECKED:	APPROVED:

Note:  
 > Designed and approved to AS1940 / AS1692 / AS1657  
 > All welding to AS1554.1



Material:  
 Weight: 2863.77KG

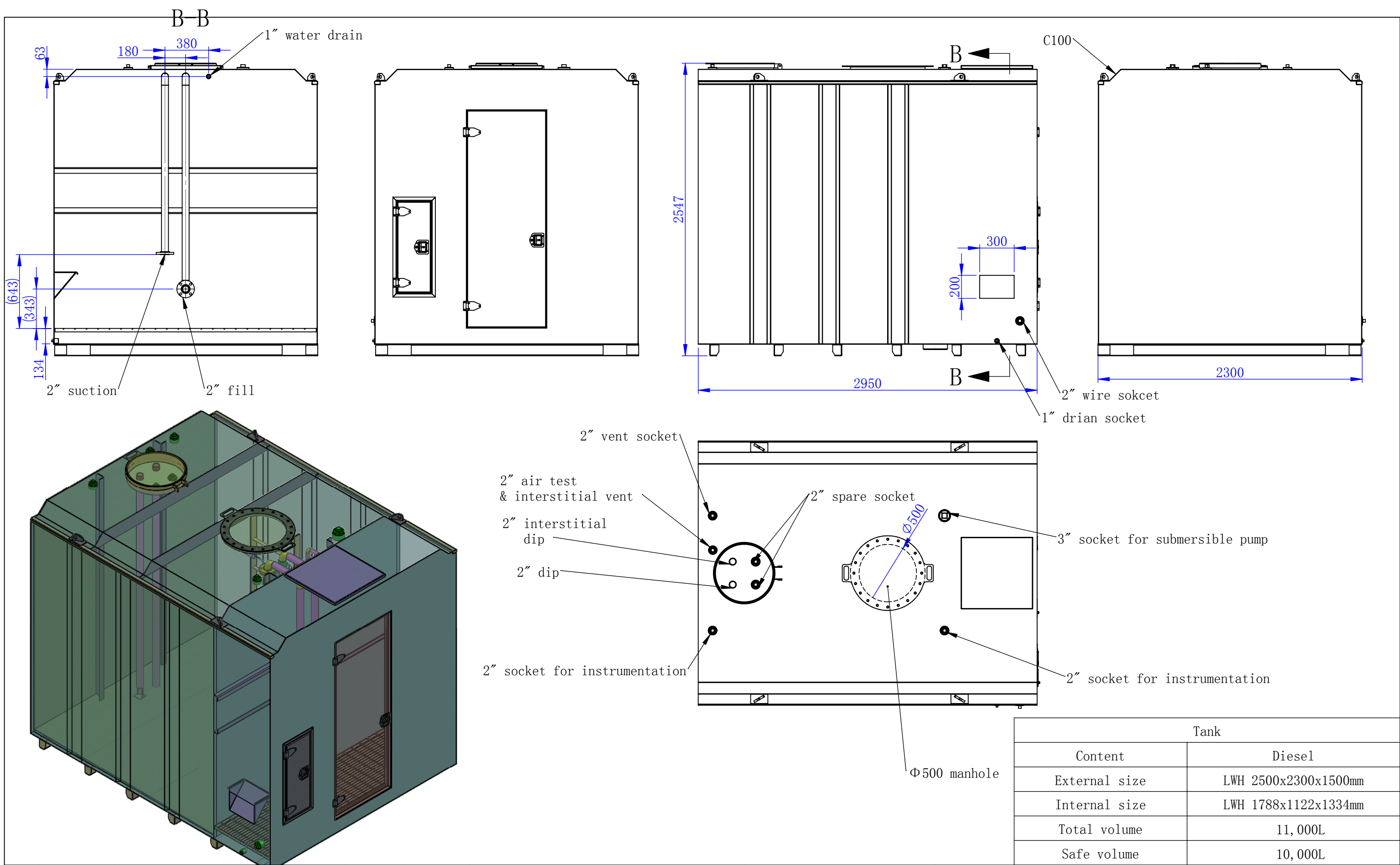
DRAWN:      SAVING DATE: 2016/11/15  
 CHECKED:      DATE:  
 CLIENT:      DATE:  
 APPROVED:      DATE:

TITLE:  
 11,000L CEA STORE  
 DRAWING NO. :  
 PURCHASE ORDER NO. :

REV:  
 SHEET:  
 1 of 4  
 Scale:  
 No scale

A3





Tank	
Content	Diesel
External size	LWH 2500x2300x1500mm
Internal size	LWH 1788x1122x1334mm
Total volume	11,000L
Safe volume	10,000L

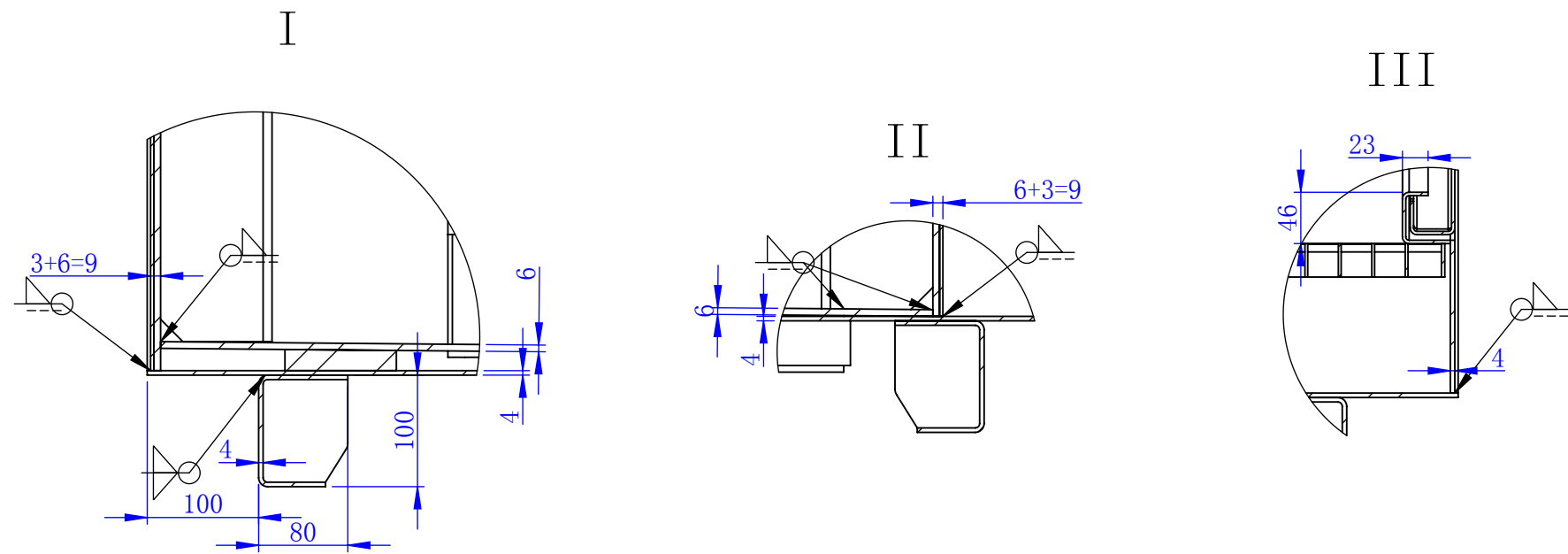
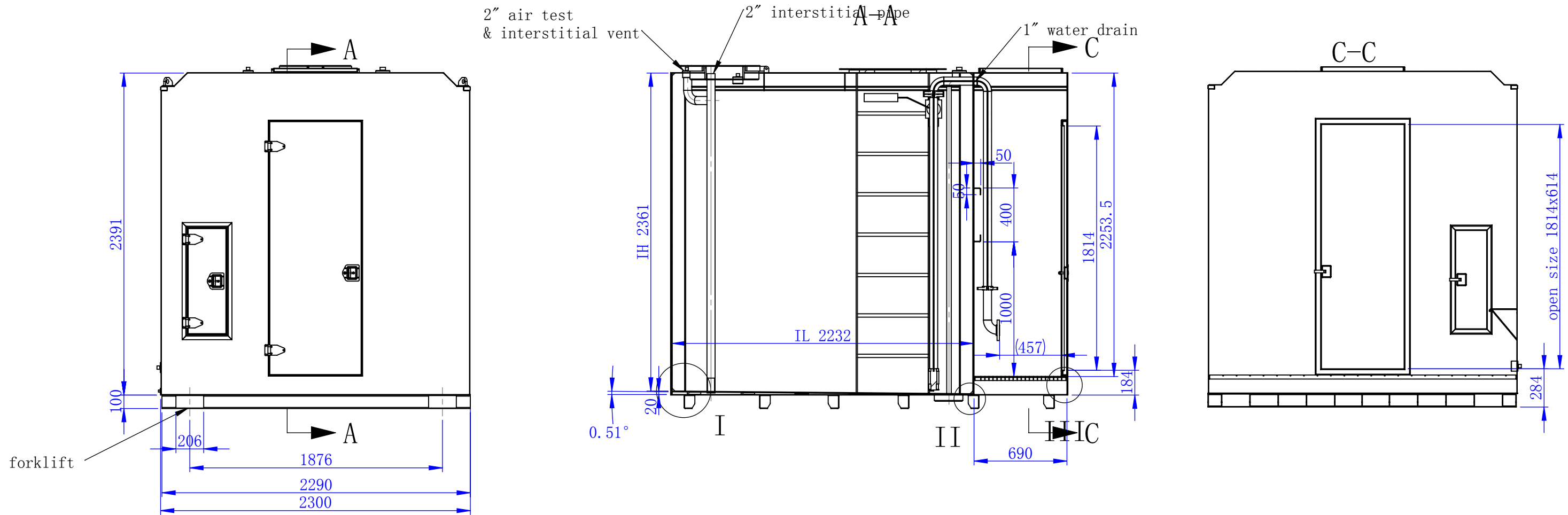
07					
06					
05					
04					
03					
02					
01					
REV:	DATE:	REVISION:	DRAWN:	CHECKED:	APPROVED:

DRAWN:	SAVING DATE: 2016/11/15	TITLE: 11,000L CEA STORE	
CHECKED:	DATE:		
CLIENT:	DATE:	DRAWING NO. :	REV:
APPROVED:	DATE:	PURCHASE ORDER NO. :	Scale: No scale

Material:

Weight: 2863.77KG

A3



07					
06					
05					
04					
03					
02					
01					
REV:	DATE:	REVISION:	DRAWN:	CHECKED:	APPROVED:



Material:  
Weight: 2863.77KG

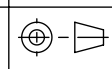
DRAWN:  
CHECKED:  
CLIENT:  
APPROVED:

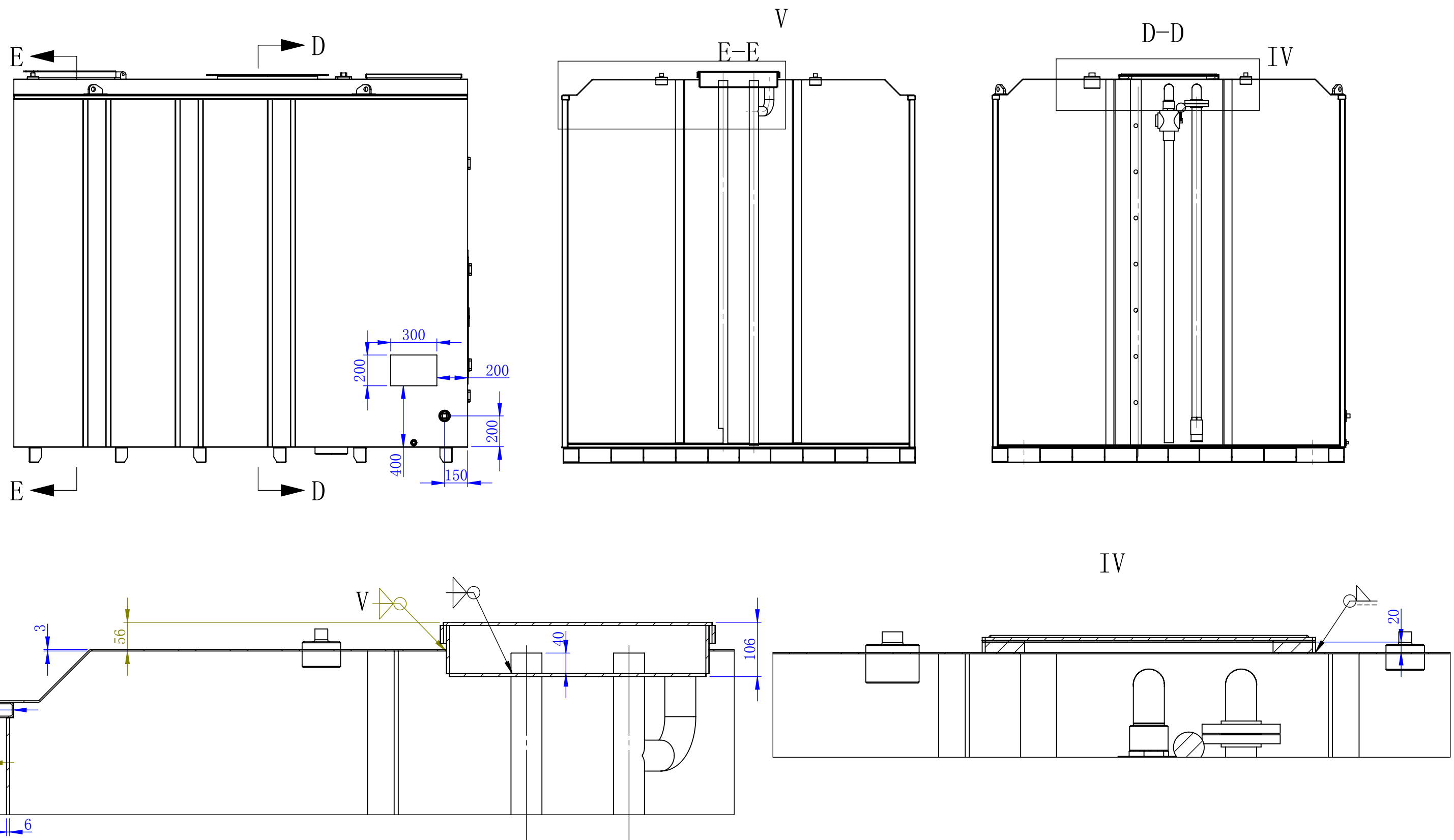
SAVING DATE:  
DATE:  
DATE:  
DATE:

TITLE:  
11,000L CEA STORE  
DRAWING NO. :  
PURCHASE ORDER NO. :

REV:  
SHEET:  
3 of 4  
Scale:  
No scale

A3





07					
06					
05					
04					
03					
02					
01					
REV:	DATE:	REVISION:	DRAWN:	CHECKED:	APPROVED:



Material:  
Weight: 2863.77KG

DRAWN:	SAVING DATE: 2016/11/15
CHECKED:	DATE:
CLIENT:	DATE:
APPROVED:	DATE:

TITLE: 11,000L CEA STORE	
DRAWING NO. :	REV:
PURCHASE ORDER NO. :	SHEET: 4 of 4
	Scale: No scale

A3

