

# FUEL FILTER HA, GB, VA



Thank you for purchasing a Macnaught Fuel Filter.



Please read and retain this instruction sheet to assist you in the operation and maintenance of this quality product. Take particular note of all warnings and safety messages.



## Features

Your Macnaught Bowl-Type Fuel Filter utilises a replaceable 10µm paper element, contained within a “See-Thru” weather resistant bowl.

Each unit is manufactured with a Zinc die-cast body, nitrile rubber gasket and a polycarbonate transparent filter bowl - with drain tap. The die-cast body has 1” BSP (F) inlet and outlet threads, and has a maximum working pressure of up to 150 psi (1033 kPa).

The Fuel filters are suitable for use with Diesel fuel, Petrol and Methanol. If other fluids are to be filtered, please consult your Macnaught Distributor.

## Important Notes

### **WARNING**

**DO NOT USE TEFLON TAPE ON THESE FILTER ASSEMBLIES**



Handling flammable liquids is hazardous. There is the potential for an explosion and/or fire. Your personal safety, and the safety of others are at risk. It is your responsibility to know and follow all safety precautions when handling flammable liquids & ensure all equipment operators have adequate instructions concerning safe procedures.

Follow all recommended safety precautions when handling flammable liquids such as petrol.

### **IMPORTANT**

The filter bowl should be hand tightened only

#### **Pumps**

HP LITRESTROKE™ -  
GT RAPIDFLO™ -  
RVP ROTARY VANE PUMP -

#### **Filter Kits**

USE HA-01  
USE VA-01  
USE VA-01

#### **Older Models**

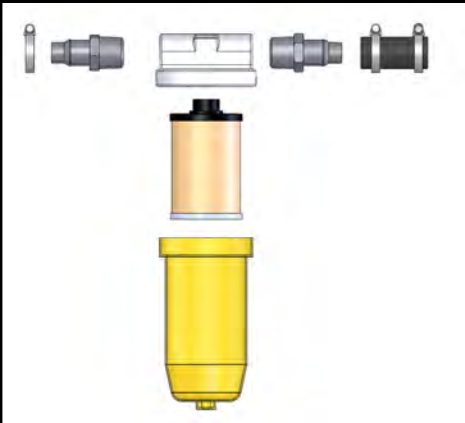
GP RAPIDFLO™ -

USE GB-01

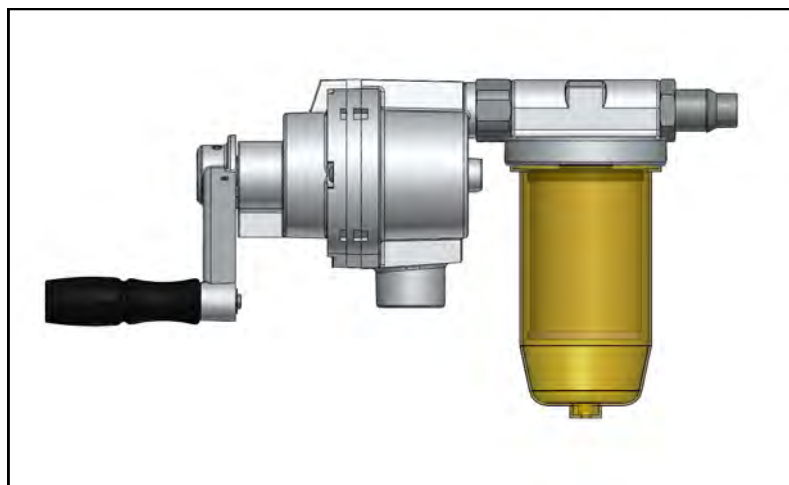
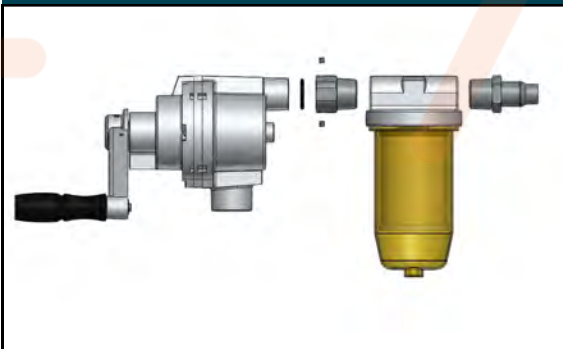
**Petroleum**  
EQUIPMENT

**ASSEMBLY**

**HP LITRESTROKE™ (HA-01)**

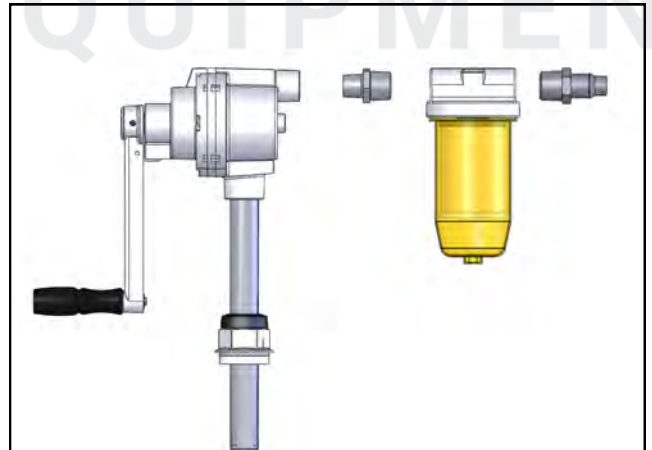
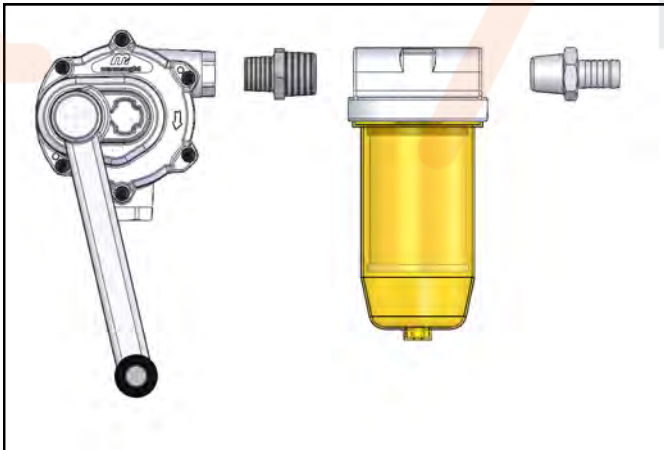
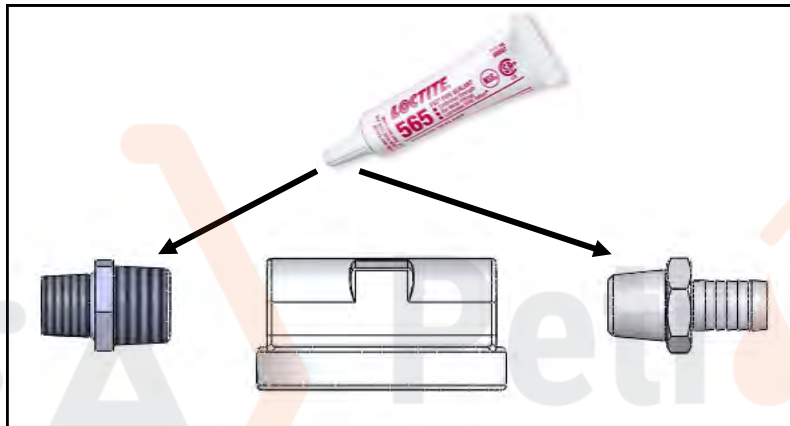
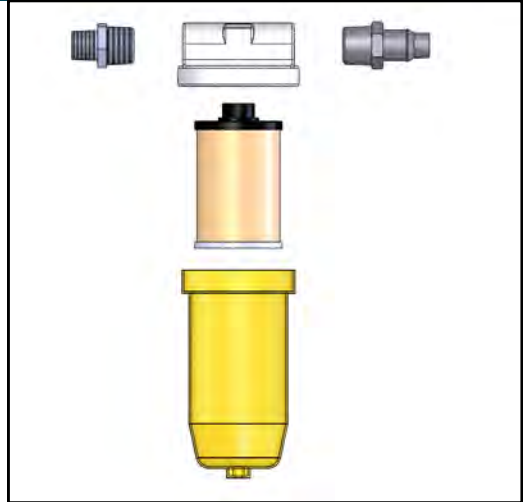
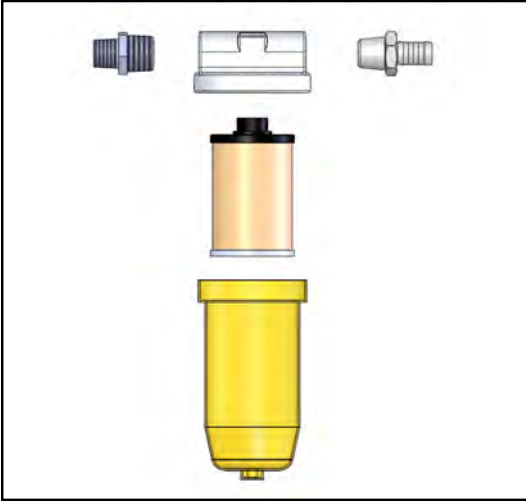


**GP RAPIDFLO™ (GB-01)**



**ASSEMBLY**  
**RVP (VA-01)**

**GT RAPIDFLO™ (VA-01)**



For Warranty Terms and Conditions see [macnaught.com.au](http://macnaught.com.au)