



# FILTER KIT WATER REMOVAL



OILS



DIESEL



FT007A



FT002



60L



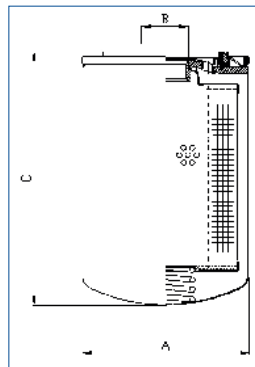
90L



100L

FEATURES	60L	90L	100L
Filter type	paper + water removal	paper + water removal	paper + water removal
Mesh [ $\mu$ m]	30	30	30
Max flow rate [l/min / GPM]	60 / 15,85	90 / 23,78	100 / 26,42
Max pressure [bar / psi]	12 / 174	12 / 174	14 / 203
Collapse pressure [bar/psi]	5/72	5/72	5/72
Max/Min Temperature [ $^{\circ}$ C]	-20/+110	-20/+110	-20/+110
Gasket material	NBR	NBR	NBR
Allowed fluids	diesel, oil	diesel, oil	diesel, oil
Head	FT007A	FT007A	FT002
Inlet/Outlet [BSP/G]	1" F flanged / 1" F flanged	1" F flanged / 1" F flanged	1" F / 1" F

DIMENSIONS	60L	90L	100L
<b>A [mm]</b>	96	96	128
<b>B [mm]</b>	1" UNF	1" UNF	1" - 1/2" UNF
<b>C [mm]</b>	213	213	263



### GAUGE FT003 (optional)

- Saturation level indicator
- **BAR** (black line)
- **PSI** (red line)





# FILTER KIT DIRT REMOVAL



OILS



DIESEL



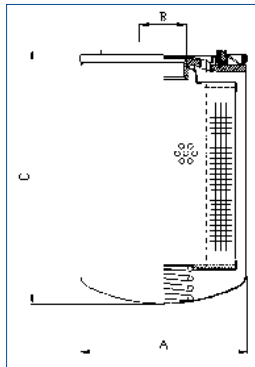
FT007A



60L



100L



## FEATURES

Filter type

Mesh [ $\mu\text{m}$ ]

Max flow rate [l/min / GPM]

Max pressure [bar / psi]

Collapse pressure [bar/psi]

Max/Min Temperature [ $^{\circ}\text{C}$ ]

Gasket material

Allowed fluids

Head

Inlet/Outlet [BSP/G]

## 60L dirt removal

paper + water removal

10

60/15,85

12/174

5/72

-20/+110

NBR

diesel, oil

FT007A

1" F flanged / 1" F flanged

## 100L dirt removal

paper

10

100 / 26,42

12 / 174

5/72

-20/+110

NBR

diesel, oil

FT007A

1" F flanged / 1" F flanged

## DIMENSIONI

A [mm]

B [mm]

C [mm]

## 60L dirt removal

96

1" UNF

213

## 100L dirt removal

96

3/4" BSP-G

148

## GAUGE FT003 (optional)

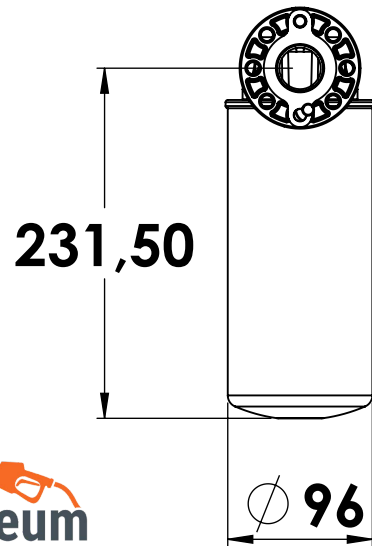
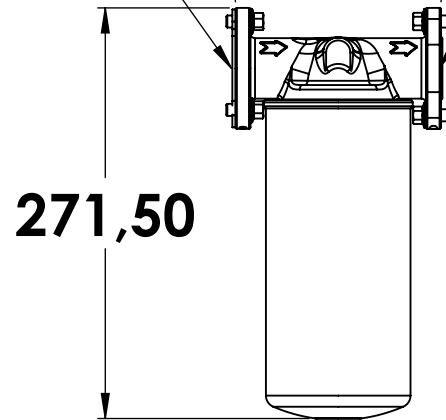
- Saturation level indicator
- **BAR** (black line)
- **PSI** (red line)





# KIT FILTRO - FILTER KIT 60-90L

INLET 1" G-BSP      136      OUTLET 1" G-BSP



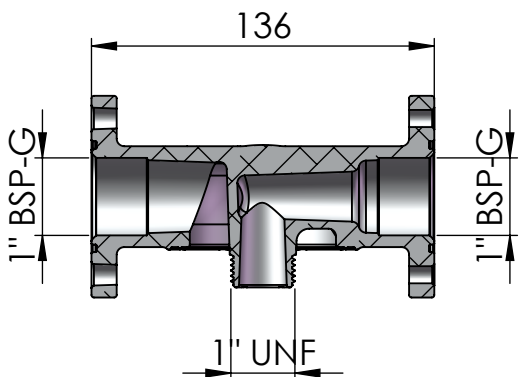
tutte le dimensioni espresse in mm - all dimensions are in mm



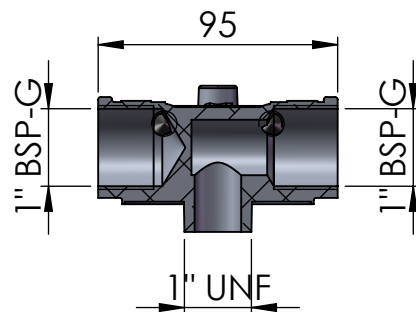


# Heads / cartridges correspondences

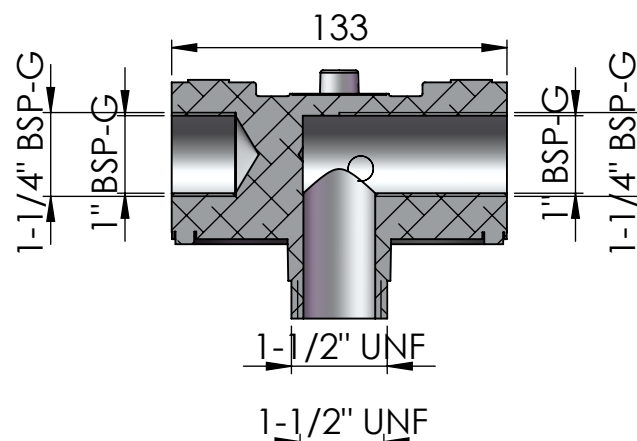
Ref. FT007A



Ref. FT001



Ref. FT002  
IN-OUT 1" with reductions



Ref. FT005

