



Donaldson Part No: **P570330**

Fluid Compatibility: All diesel fuels & lubricants

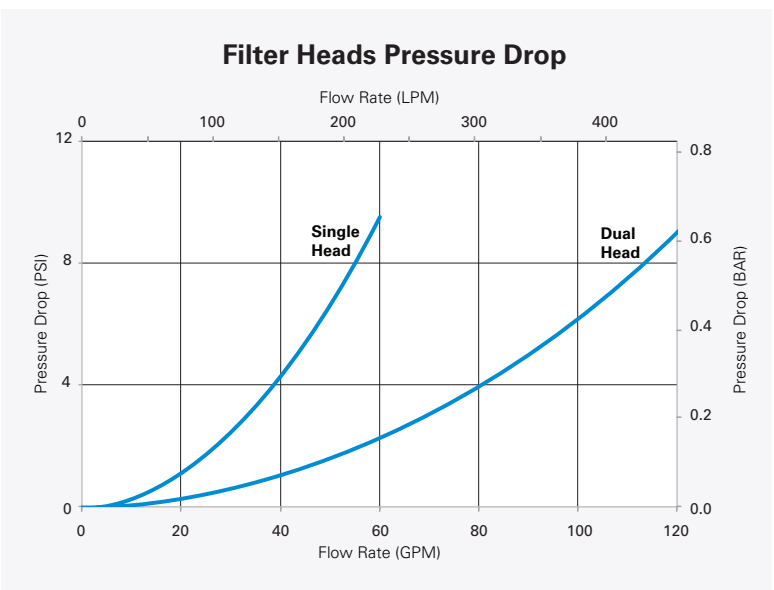
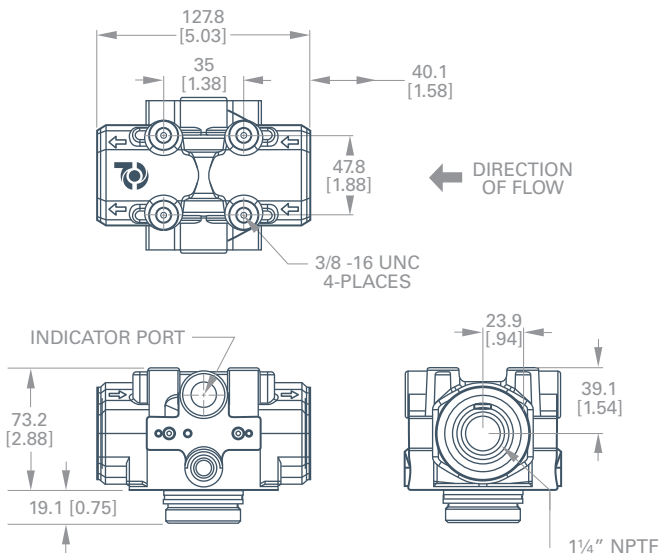


Clean Solutions filter heads feature robust, aluminum construction with steel inserts to minimise metal-to-metal bonding, or galling, between the head and the filter, even when used with diesel fuel.

The threaded insert contains an O-ring seal eliminating cross contamination from the unfiltered to clean side of the fitted elements. Viton® seals are compatible with a wide range of fluids and maintain their integrity in cold weather.

### SPECIFICATIONS

<b>Maximum Flow Range</b>	246 lpm
<b>Working Pressure</b>	350 psi / 2413 kPa / 24.1 bar
<b>Operating Temperature</b>	-40°C to 118°C
<b>Connection</b>	1 1/4" NPTF
<b>Dry weight</b>	1.13 kg



### DESIGNED FOR USE WITH

-   
**Compact Fuel Filter**  
 DBB5333
-   
**Compact Fuel Filter**  
 DBB7733
-   
**Fuel Filter**  
 DBB8666
-   
**Fuel Filter**  
 DBB8777
-   
**Light Oil Filter**  
 DBB8665
-   
**Heavy Oil Filter**  
 DBB8664
-   
**Water Absorbing Filter**  
 DBB0248

## ACCESSORIES

### PARTS

<b>Threaded Pipe Nipple</b>	P573642 - 1 1/4" NPT, for connecting two P570330 single heads in series
<b>Threaded Insert O-rings</b>	P164050 - Replacement O-Rings for heads and manifolds, Viton, not for use on hP

### PRESSURE GAUGES AND SERVICE INDICATORS

<b>Electrical Service Indicator</b>	P174396 - 50 psi / 345 kPa / 3.45 bar, microprocessor compatible
<b>Visual Service Indicator</b>	P574177 - 50 psi / 345 kPa / 3.45 bar, industrial grade green to red
<b>Visual Service Indicator</b>	P165965 - 25 psi / 172 kPa / 1.72 bar, industrial grade green to red
<b>Upstream Pressure Gauge Adapter</b>	P573682 - For single and dual heads, 1/8" NPT
<b>Pressure Gauge</b>	P573681 - 0 - 60 psi / 414 kPa / 4.1, 1/8" NPT, centre back mount, 1 1/2" diameter, use with P573682 adapter

### SAMPLING TOOLS

<b>Upstream Sampling/Indicator Port Adapter</b>	P573414 - SAE-4, use with P563224 for sampling
<b>Downstream Sampling / Indicator Port Adapter</b>	P573415 - SAE-4, use with P563224 for sampling
<b>Test Point</b>	P563224 - For use with P573414 and P573415 adapters SAE-4 to M16 x 2
<b>Test Point</b>	P563215 - For dual heads, 1/4 BSPP to M16 x 2, use with P506071 flange
<b>Test Point Hose Assembly</b>	P563255 - 1220mm 1620 series M16 x 2 thread, for use with P563215, P563224 mini mess test points

