



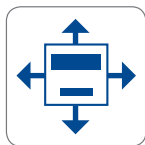
METER TF4S1



LIGHT OILS



DIESEL

OUTLET
POSITION

FEATURES	3C	4C
Measuring system:	Oscillating disk	Oscillating disk
Protection:	IP55	IP55
Partial [digits]:	3	4
Totalizer [digits]:	6	8
Unit of measure:	litre, gallons*	litre, gallons*
Min flow rate [l/min / GPM]:	20 / 5,28	20 / 5,28
Max flow rate [l/min / GPM]:	120 / 31,7	120 / 31,7
Suitable for gravity:	Yes	Yes
Calibration:	Yes	Yes
Pressure Max [bar/psi]:	3,5/50	3,5/50
Burst pressure [bar/psi]:	25/362	25/362
Precision [%]:	± 1	± 1
Repeatability [%]:	0,2	0,2
Outlet position:	High, Low, Right, Left	High, Low, Right, Left
Inlet/Outlet [BSP/G]:	1" F Flanged	1" F Flanged
Body material:	Alluminium	Alluminium
Gear material:	POM-C	POM-C
O-Ring material:	NBR	NBR
Other materials in contact with the fluid:	PPS, Brass, Steel	PPS, Brass, Steel
Min/Max Temperature [°C]:	-20 / +50	-20 / +50
Allowed fluids:	Diesel	Diesel
Forbidden fluids:	Gas, Alcool, Gasoline, Water	Gas, Alcool, Gasoline, Water
Loudness at less 1 meter [dBA]:	< 75	< 75
Net weight [Kg]:	1,9	1,9
Single size packaging [mm]:	1 220 x b 150 x h 220	1 220 x b 150 x h 220
Gross weight [Kg]:	2,2	2,2



X



(*) Available gallons version on request



category

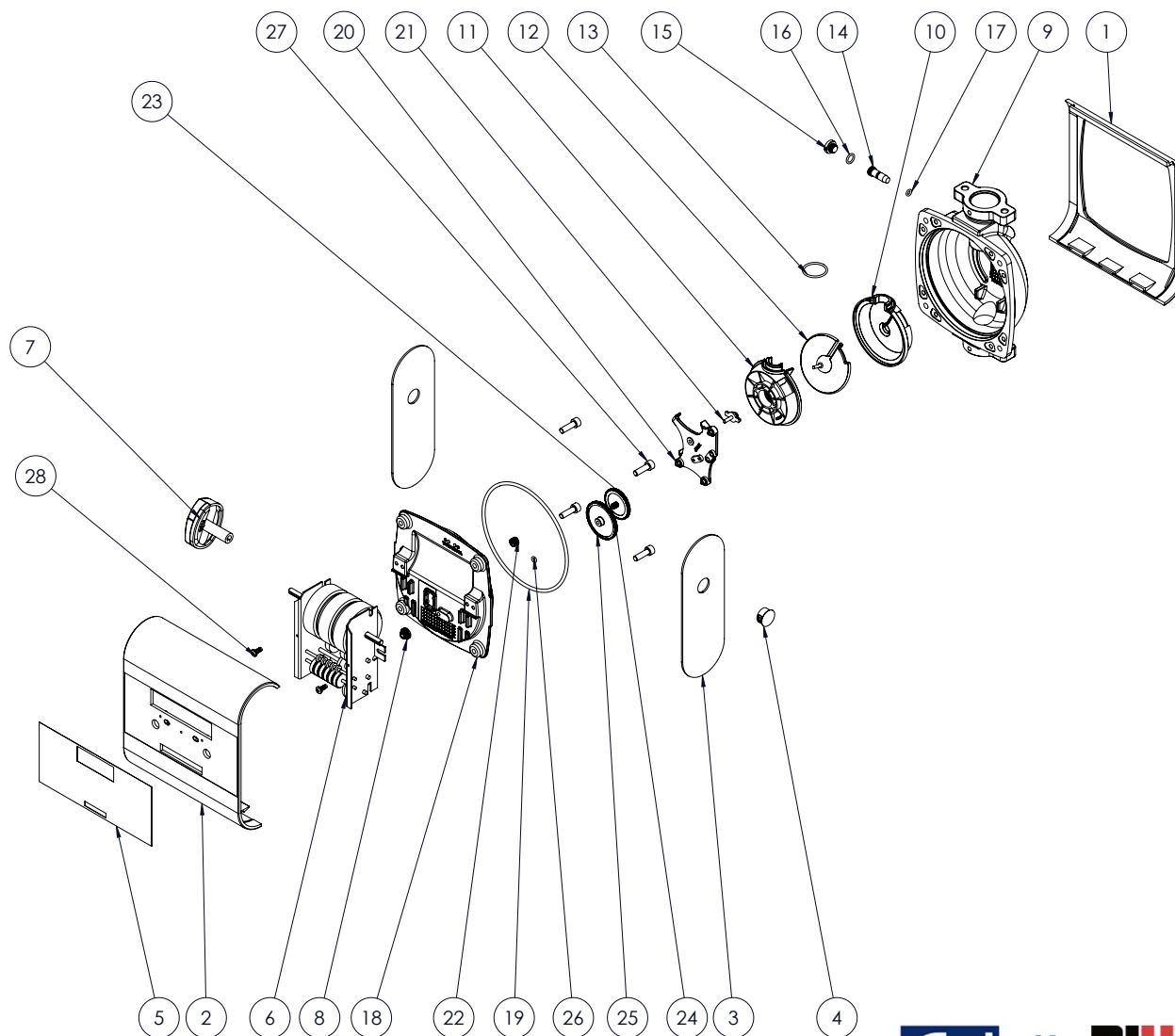
mechanical meter diesel

model

METER TF4S1

MADE IN ITALY

3C	DESCRIPTION	Q.TY	
1	TF014N	BOTTOM COVER	1
2	TF013N	TOP COVER	1
3	TF015	SIDE COVER WITH HOLE	2
4	60302000	PLASTIC CAP	1
5	MA999	FACEPLATE	1
6	TF044	MECHANICAL NUMERATOR	1
7	TF012X	RESET KNOB	1
8	TF005	CONICAL GEAR	1
9	TF011	METER BODY	1
10	TF002	BOTTOM HALF-CHAMBER	1
11	TF003	TOP HALF-CHAMBER	1
12	TF001	SWINGING PLATE	1
13	OR001	O-RING Ø24 X 2	1
14	TF019	CALIBRATION SCREW 1/8"	1
15	TF018	CALIBRATION CAP 1/8"	1
16	11010100200	O-RING 108 NBR	1
17	11010050200	O-RING 2018 NBR	1
18	TF010	METER FLANGE	1
19	4500OR002	O-RING	1
20	TF009	GEAR SUPPORT	1
21	TF008	PIN WITH LEVER	1
22	TF004	CYLINDRICAL GEAR	1
23	6051800000	ROLLER Ø2	1
24	TF006	DOUBLE GEAR WHEEL Ø36	1
25	TF007	GEAR WHEEL Ø45	1
26	11010040200	O-RING 2015 NBR	1
27	VT001	SCREW M6X20	4
28	80901439100	SCREW M4X10	2



4C	DESCRIPTION	QTY	
5	MA998	FACEPLATE	1
6	TF045	MECHANICAL NUMERATOR	1



X



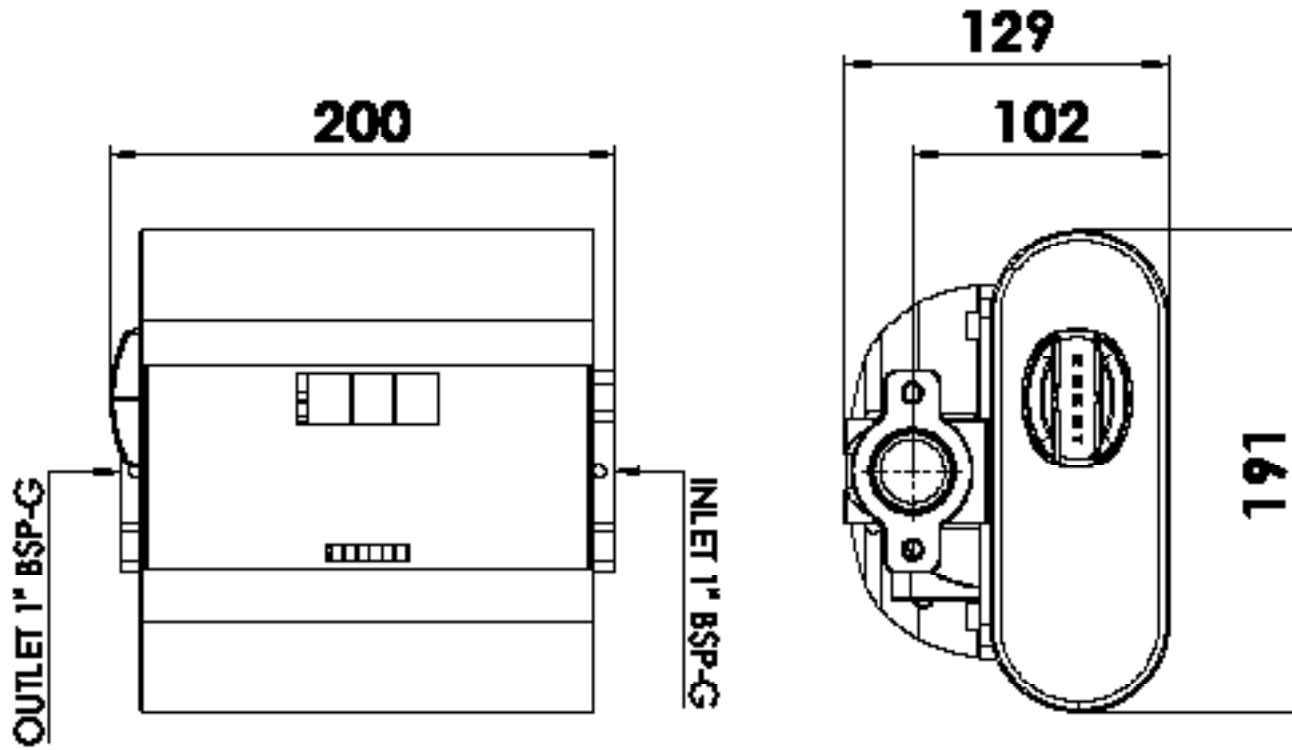


product

MADE IN ITALY

overall dimensions

METER TF4S1



3C



4C



tutte le dimensioni espresse in mm - all dimensions are in mm

