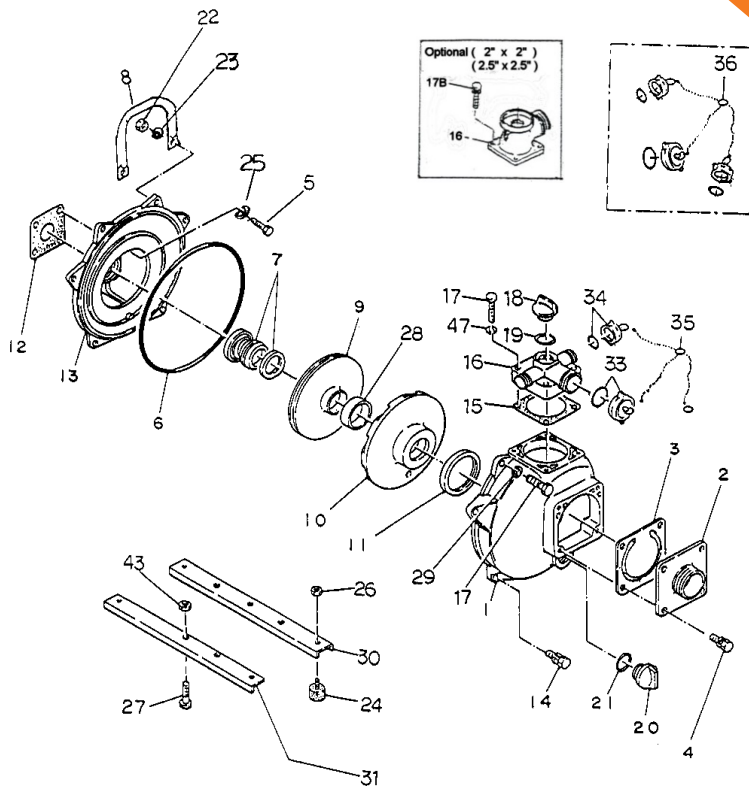


Renew or upgrade your pump with a Wet End Kit



p/n: QP205SEKIT.... 3/4" screwed shaft  
p/n QP205SEKIT 5/8" ...5/8" screwed shaft

Pos	Part number	Description	Qty	List price
1	Q4364-100010 Q7304-100010	CASING CASING WITH LOGO	1	
2	Q1803-100160	2" SUCTION COVER	1	
2	Q4725-060160-0011	1.5" SUCTION COVER	1	
2	Q4904-000160	2.5" SUCTION COVER	1	
3	Q1378-350350	CHECK VALVE	1	
4	Q018105-0825	BOLT SET WITH SPRING WASHER	4	
5	Q019115-0525	BOLT	4	
6	Q048935-2550	O-RING (CASING)	1	
7a	Q080311-2320	MECHANICAL SEAL	1	
7b	Q080311-2320V	VITON MECHANICAL SEAL	1	
8	Q1883-207010-0003	HANDLE	1	
9a	Q1806-060031	IMPELLER 3/4" P Shaft (37mm boss)	1	
9b	Q1803-060031	IMPELLER W Shaft (18mm boss)	1	
9c	Q1814-060030	IMPELLER 5/8th P Shaft (GX200E only)	1	
9d	Q2242-060030	IMPELLER for Robin DY23 & DY27 only	1	
10	Q1803-100130	VOLUTE CASING	1	
11	Q1378-330620	VOLUTE CASING PACKING	1	
12	Q1211-390610	CASING COVER PACKING	1	
13	Q9358-100020	MOUNTING FLANGE - P Type	1	
13	Q1378-100020	MOUNTING FLANGE - W Type	1	
14	Q018105-0825	BOLT SET WITH SPRING WASHER	4	
15	Q1803-330360	DELIVERY COVER PACKING	1	
16	Q1814-100090	DELIVERY COVER (3way Outlet)	1	
16	Q1803-000090	DELIVERY ELBOW 2"	1	
16	Q4904-000090	DELIVERY ELBOW 2.5"	1	
17	Q010505-0845	BOLT	6	
18	Q063121-1100ASS	FLOODING CAP WITH O-RING	1	
19	Q048035-0300	O-RING (FLOODING CAP)	1	
20	Q063121-1100ASS	FLOODING CAP WITH O-RING	1	
21	Q048035-0300	O-RING (DRAIN CAP)	1	
22	Q020915-0080	FLANGE NUT	2	
23	Q040145-0080	WASHER	2	
24,26,27,30, 31,43	QSKIDSET	SKID SET	1	
28	Q1803-521221	LINER RING	1	
29	Q045125-0080	SPRING WASHER	2	
36	QCAPS&CHAINS	CAPS & CHAINS	1	
47	Q45125-0080	SPRING WASHER	4	

Replacement Kits

Part number	Description	Positions	List Price
Q205S-ORKIT	O ring Kit	6, 11, 15, 19, 21, 28	
Q205SREJ-2	Rejuvenation Kit Version 2	6, 7a, 11, 12, 15, 19, 21, 28	
Q205SREJIV	Viton seal rejuvenation Kit	3, 6, 7b, 11, 15, 19, 21,	

Note: for diesel drive pumps, other than Robins, use size of engine shaft to determine correct parts

To ensure correct impeller is ordered measure boss as shown below;

