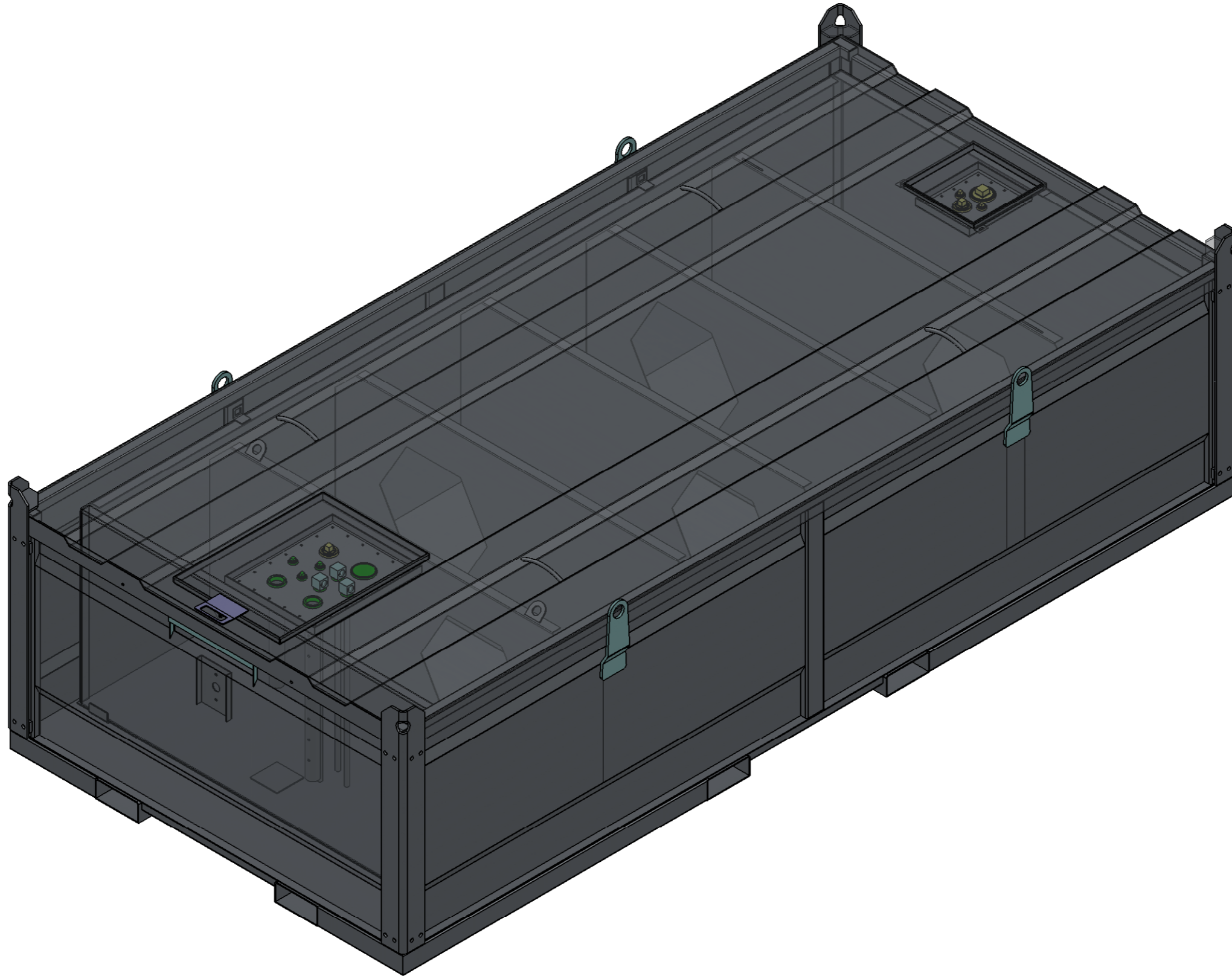


**110%**  
**REAL CUBE**  
 ceapet.com.au

| TANK DATA        |        |
|------------------|--------|
| TANK CONTENTS:   | DIESEL |
| GROSS VOLUME:    | 8000L  |
| SAFE FILL LEVEL: | 7600L  |



|      |            |           |        |          |           |
|------|------------|-----------|--------|----------|-----------|
| 07   |            |           |        |          |           |
| 06   |            |           |        |          |           |
| 05   |            |           |        |          |           |
| 04   |            |           |        |          |           |
| 03   |            |           |        |          |           |
| 02   |            |           |        |          |           |
| 01   | 2016/05/25 | E         |        |          |           |
| REV: | DATE:      | REVISION: | DRAWN: | CHECKED: | APPROVED: |

Note:  
 > Designed and approved to AS1940 / AS1692 / AS1657  
 > All welding to AS1554.1



Material:  
 Weight: 2969.51KG

DRAWN:  
 CHECKED:  
 CLIENT:  
 APPROVED:

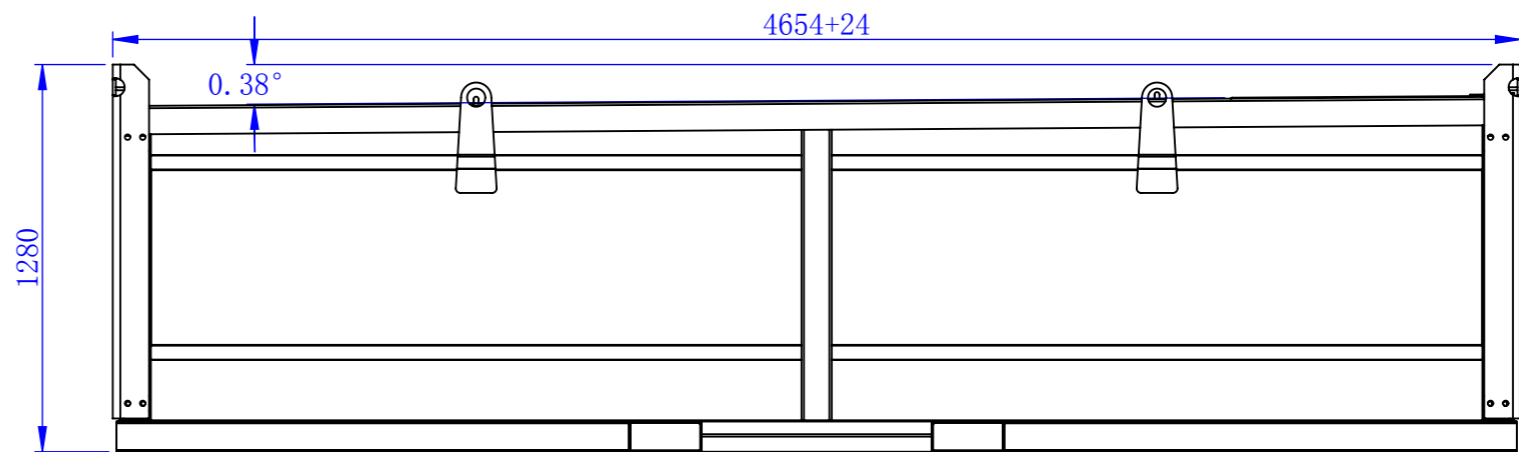
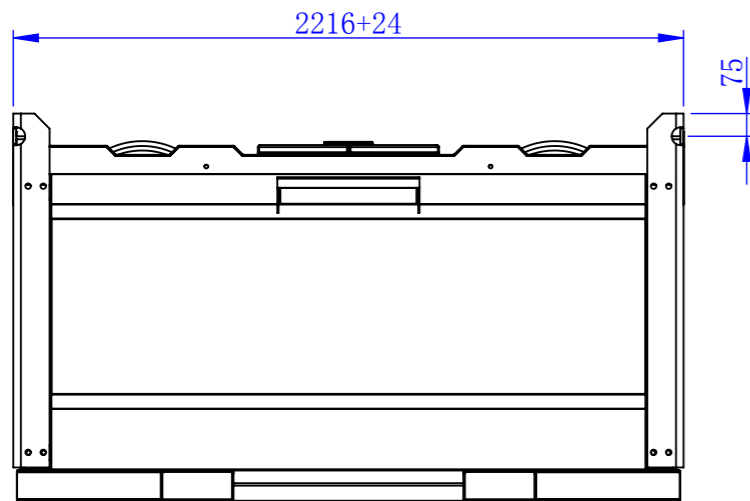
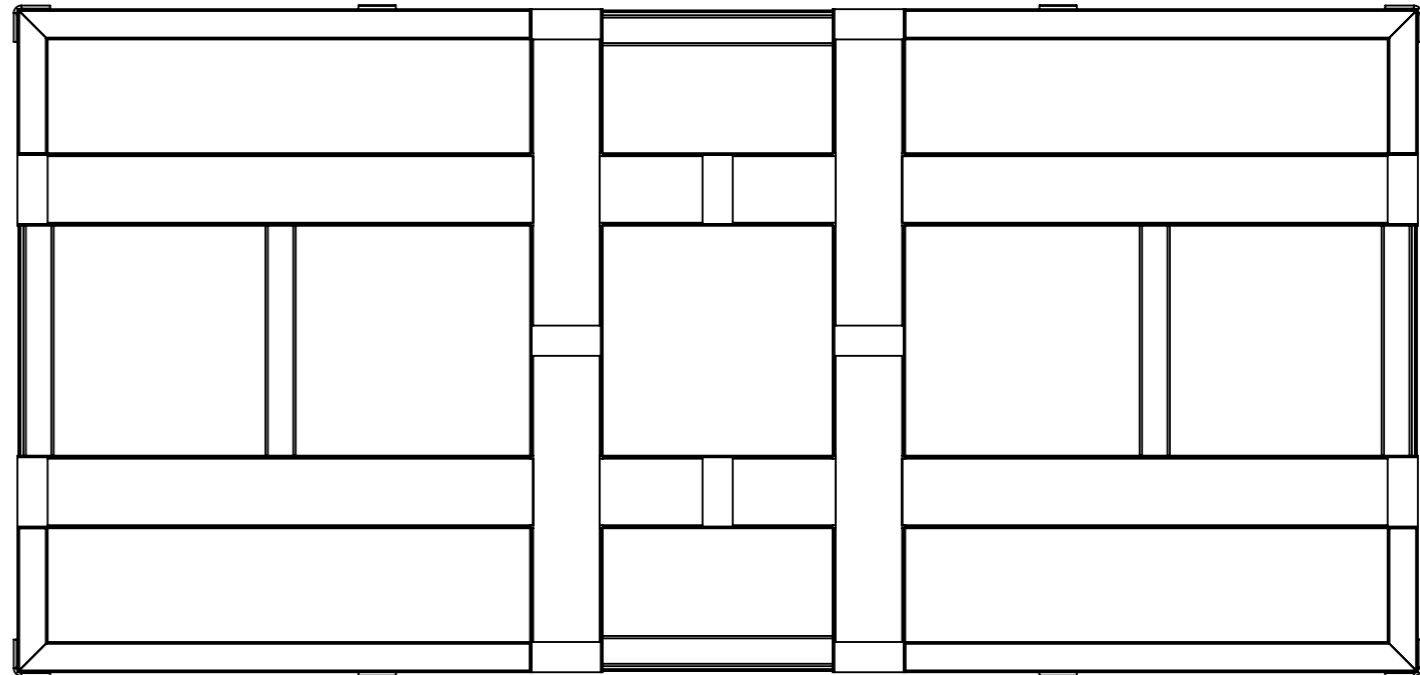
SAVING DATE:  
 2016/8/8  
 DATE:  
 DATE:  
 DATE:

TITLE:  
 CEA 8000L SELF BUNDED BAFFLED CUBE

DRAWING NO. :  
 PURCHASE ORDER NO. :

REV:  
 SHEET:  
 1 of 7  
 Scale:  
 No scale

A3



|      |       |           |        |          |           |
|------|-------|-----------|--------|----------|-----------|
| 07   |       |           |        |          |           |
| 06   |       |           |        |          |           |
| 05   |       |           |        |          |           |
| 04   |       |           |        |          |           |
| 03   |       |           |        |          |           |
| 02   |       |           |        |          |           |
| 01   |       |           |        |          |           |
| REV: | DATE: | REVISION: | DRAWN: | CHECKED: | APPROVED: |



Material:  
 Weight: 2969.51KG

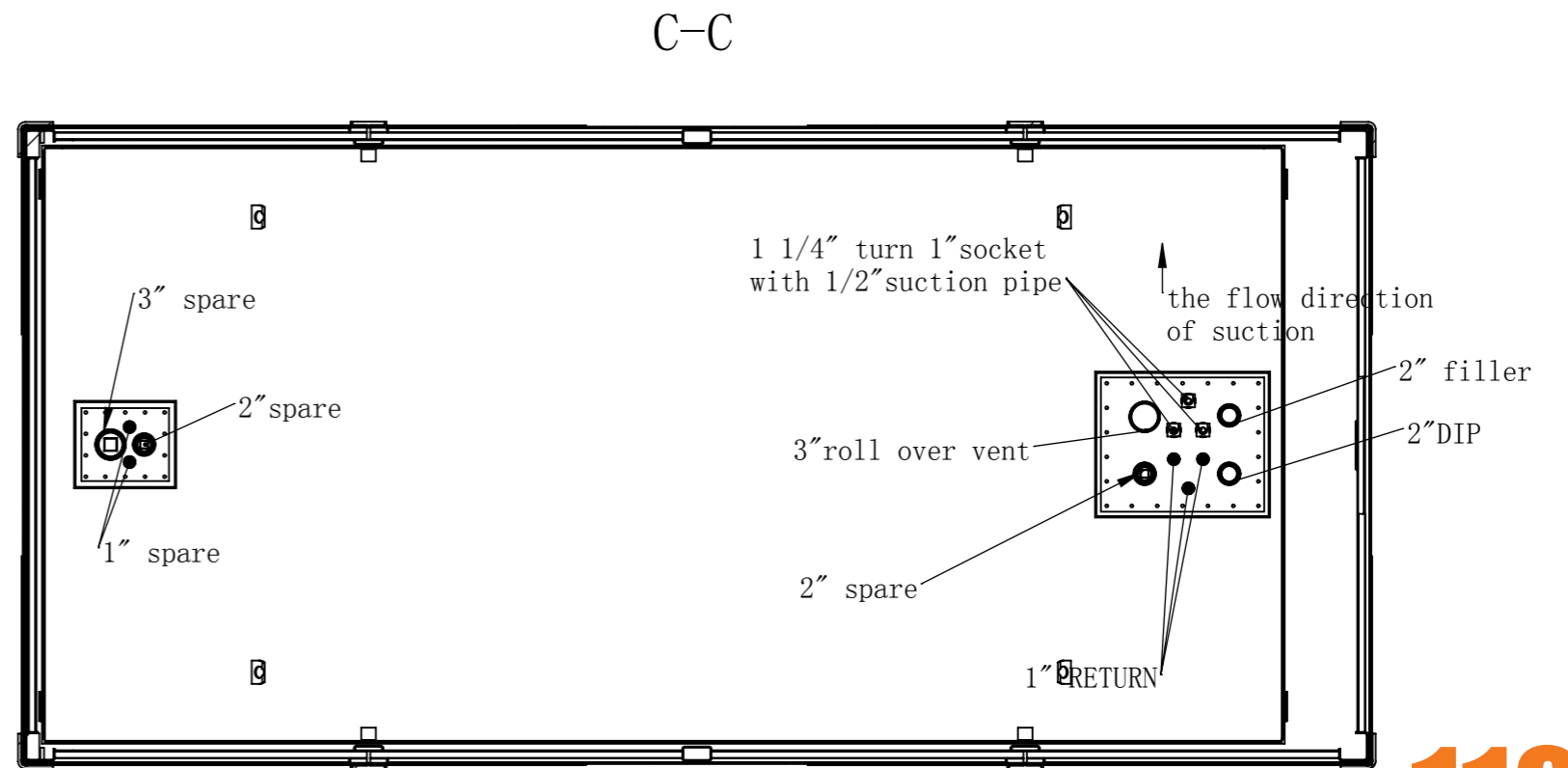
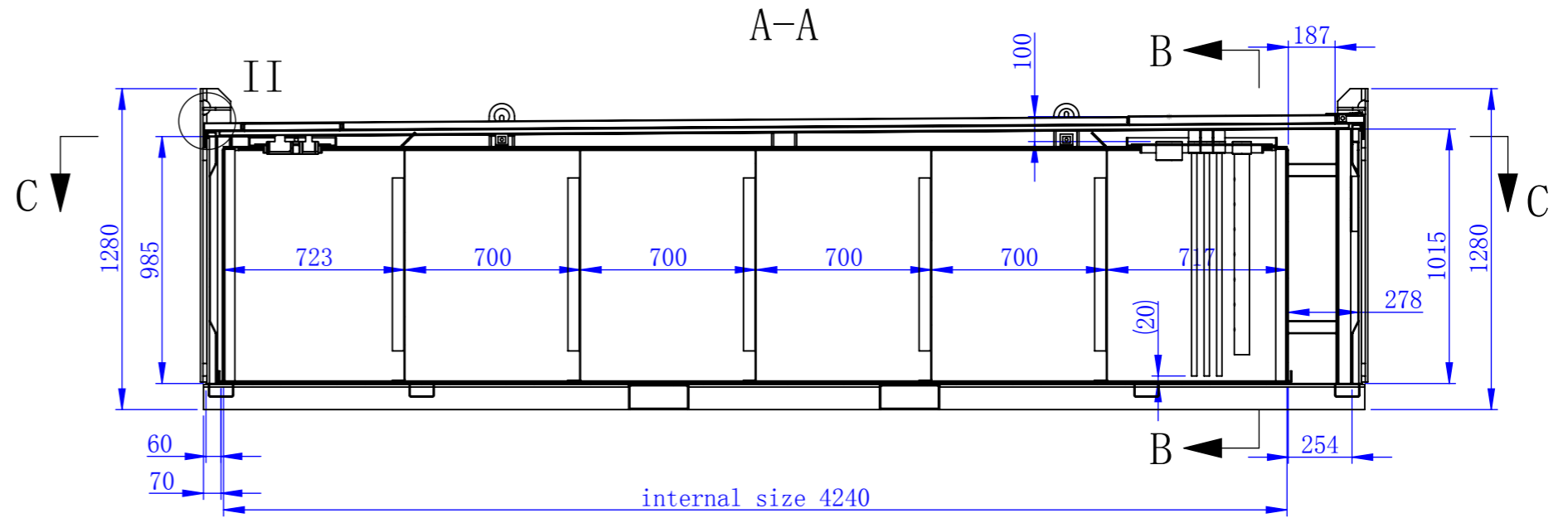
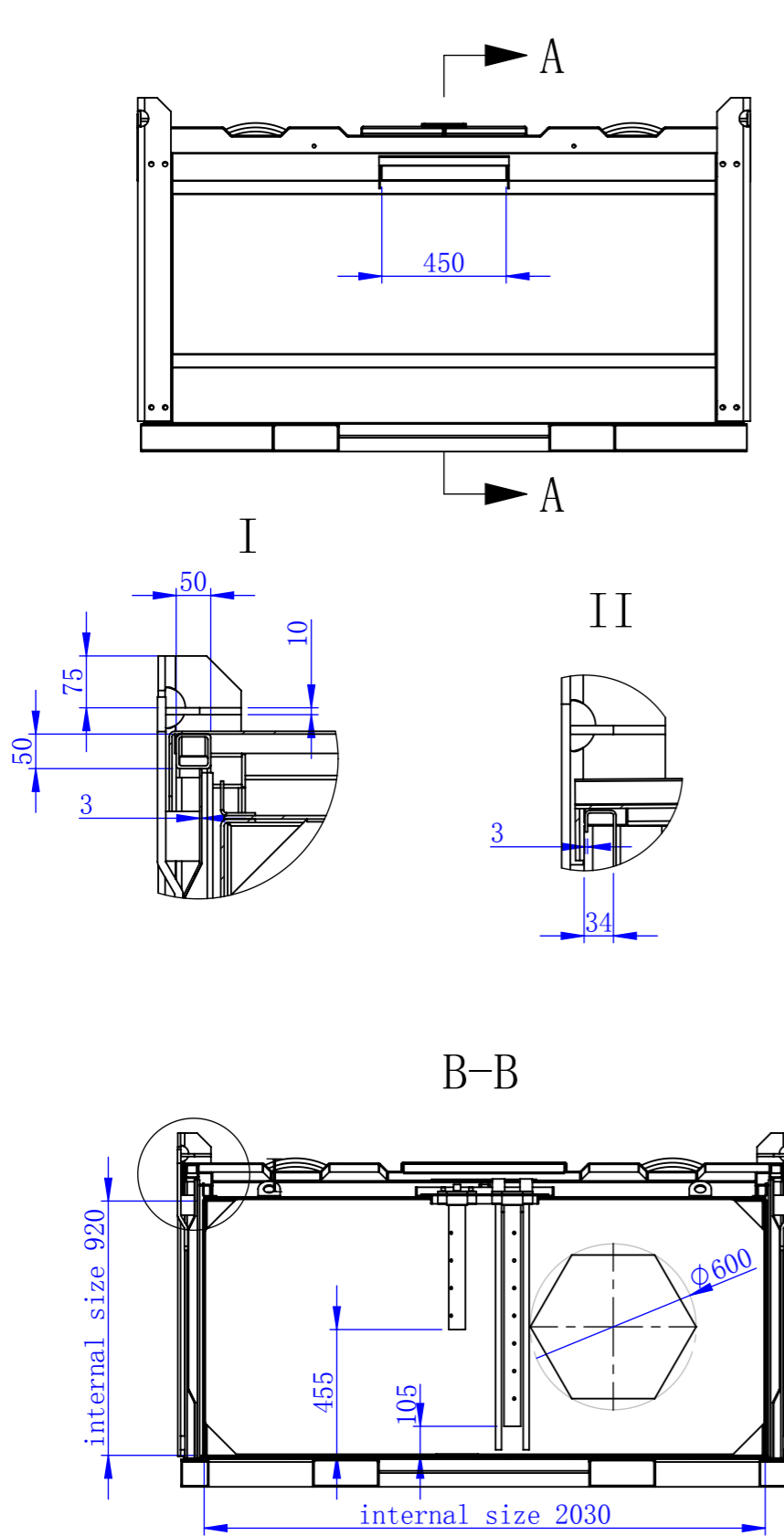
DRAWN:      SAVING DATE: 2016/8/8  
 CHECKED:    DATE:  
 CLIENT:      DATE:  
 APPROVED:    DATE:

TITLE:  
 CEA 8000L SELF BUNDED BAFFLED CUBE

DRAWING NO. :  
 REV:  
 SHEET: 2 of 7  
 PURCHASE ORDER NO. :  
 Scale: No scale

A3





**110%**  
**REAL CUBE**  
ceapet.com.au

|      |       |           |        |          |           |
|------|-------|-----------|--------|----------|-----------|
| 07   |       |           |        |          |           |
| 06   |       |           |        |          |           |
| 05   |       |           |        |          |           |
| 04   |       |           |        |          |           |
| 03   |       |           |        |          |           |
| 02   |       |           |        |          |           |
| 01   |       |           |        |          |           |
| REV: | DATE: | REVISION: | DRAWN: | CHECKED: | APPROVED: |



Material:  
Weight: 2969.51KG

DRAWN:  
CHECKED:  
CLIENT:  
APPROVED:

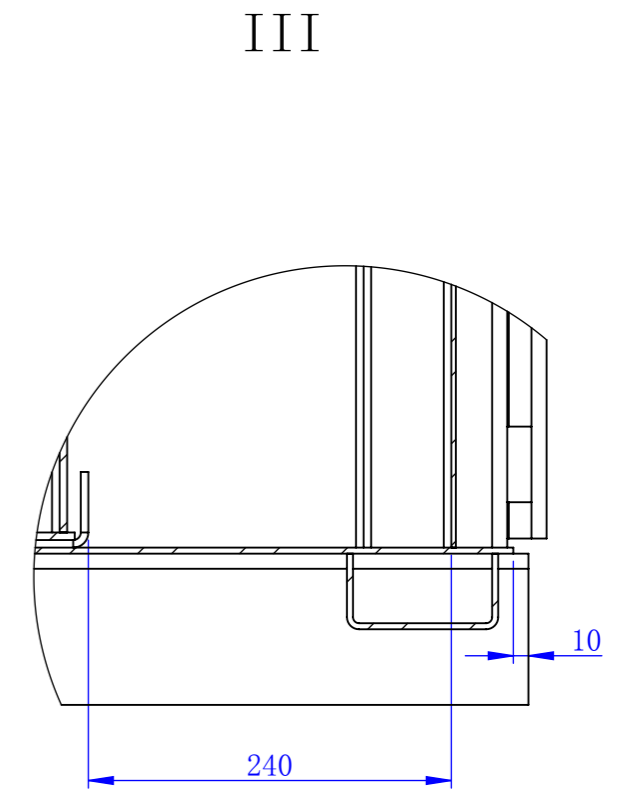
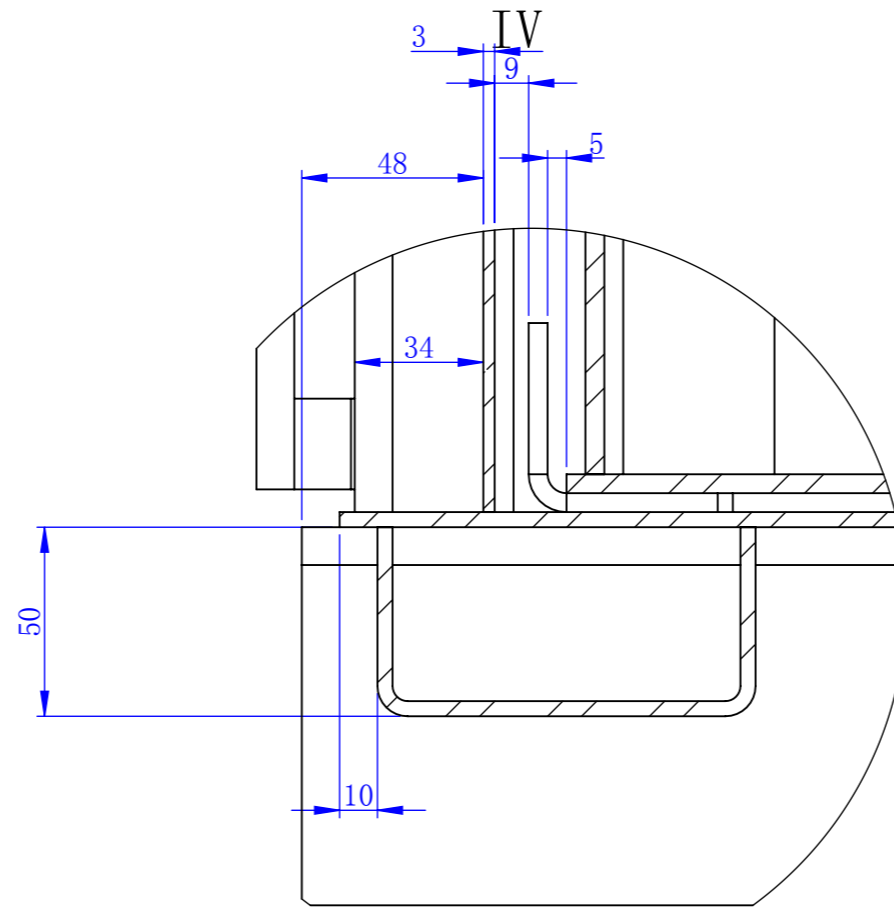
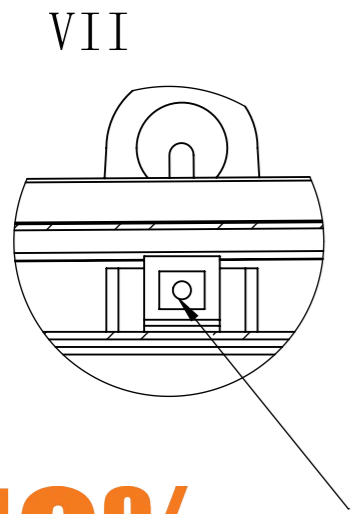
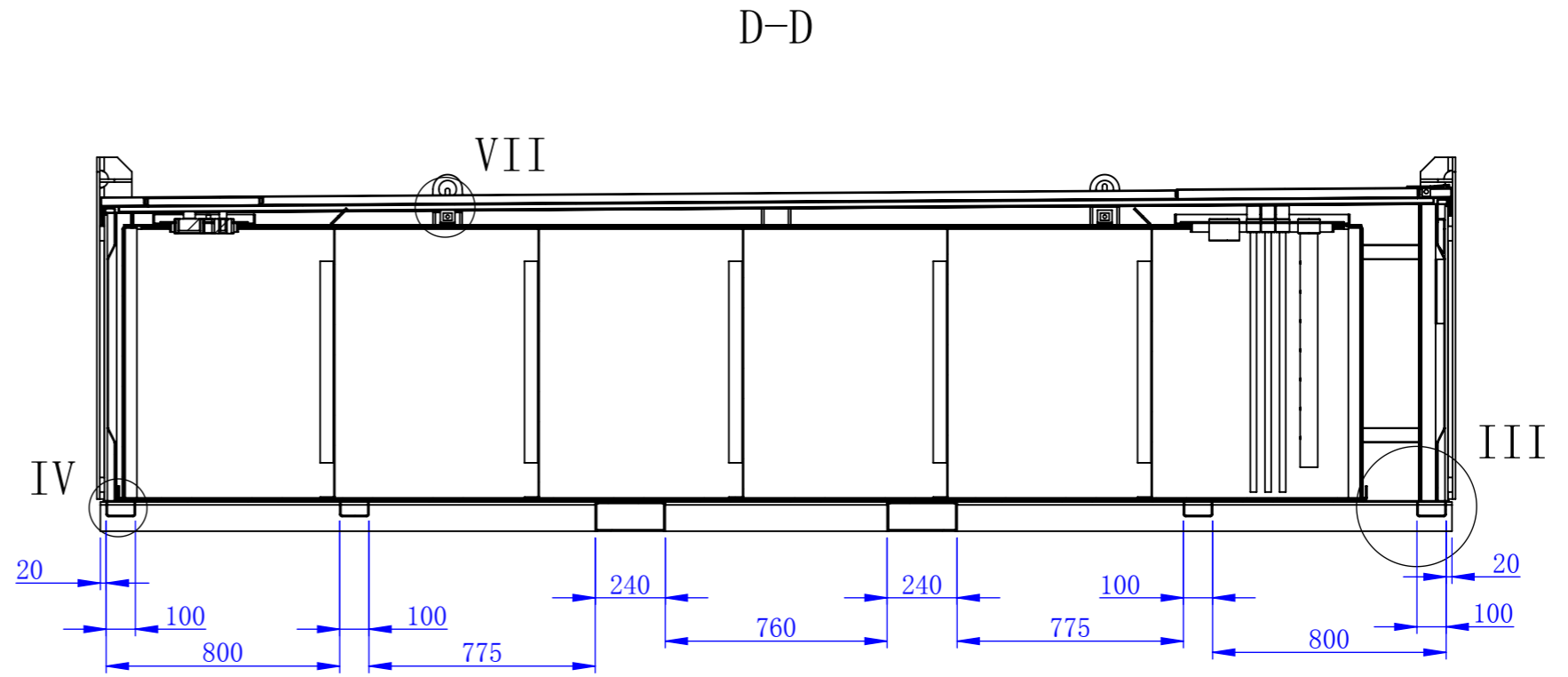
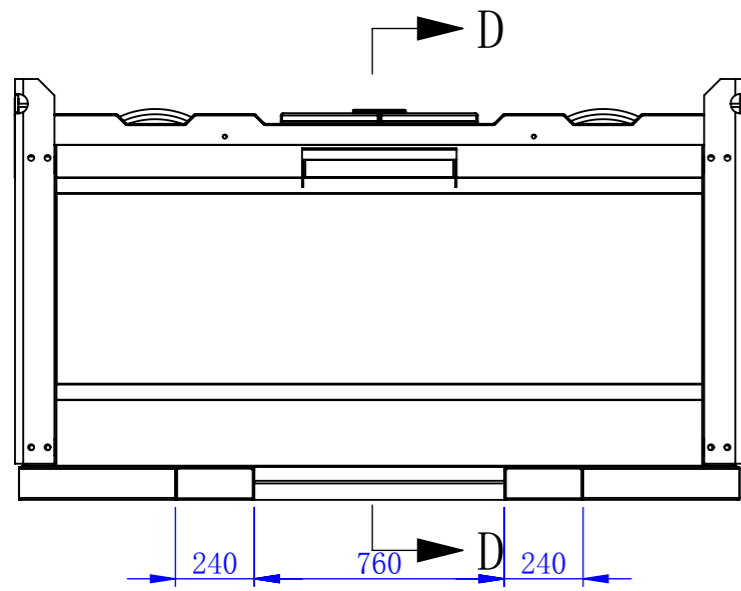
SAVING DATE:  
DATE:  
DATE:  
DATE:

TITLE:  
CEA 8000L SELF BUNDED BAFFLED CUBE

DRAWING NO. :  
REV:  
SHEET:  
3 of 7  
Scale:  
No scale

A3





**110%**  
**REAL CUBE**  
 ceapet.com.au

|      |       |           |        |          |           |
|------|-------|-----------|--------|----------|-----------|
| 07   |       |           |        |          |           |
| 06   |       |           |        |          |           |
| 05   |       |           |        |          |           |
| 04   |       |           |        |          |           |
| 03   |       |           |        |          |           |
| 02   |       |           |        |          |           |
| 01   |       |           |        |          |           |
| REV: | DATE: | REVISION: | DRAWN: | CHECKED: | APPROVED: |



Material:  
 Weight: 2969.51KG

DRAWN:  
 CHECKED:  
 CLIENT:  
 APPROVED:

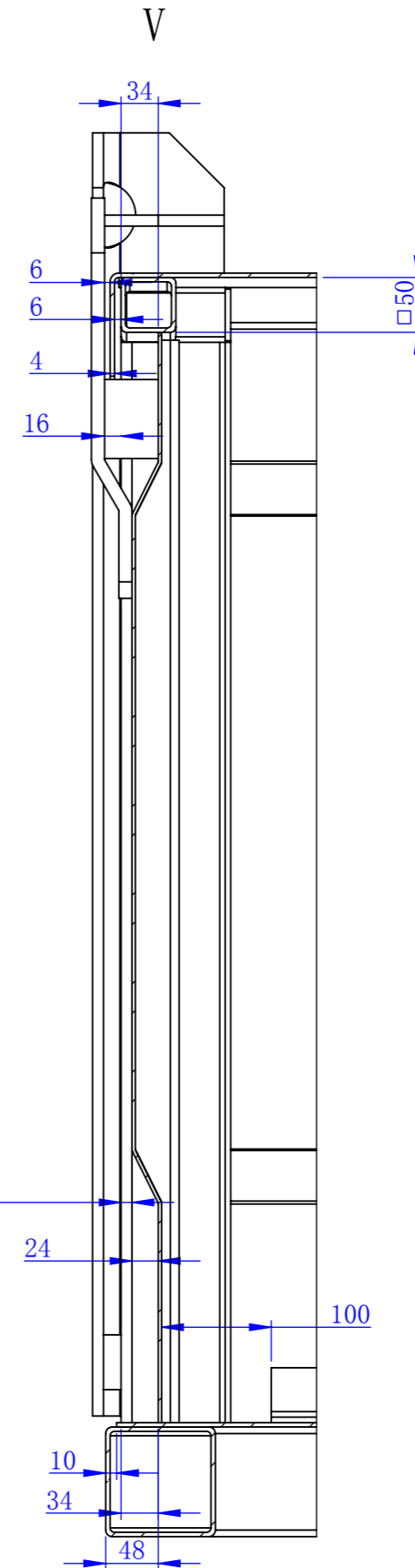
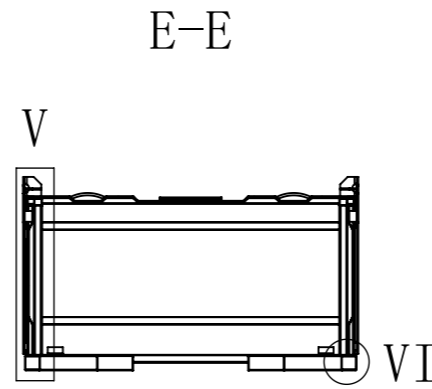
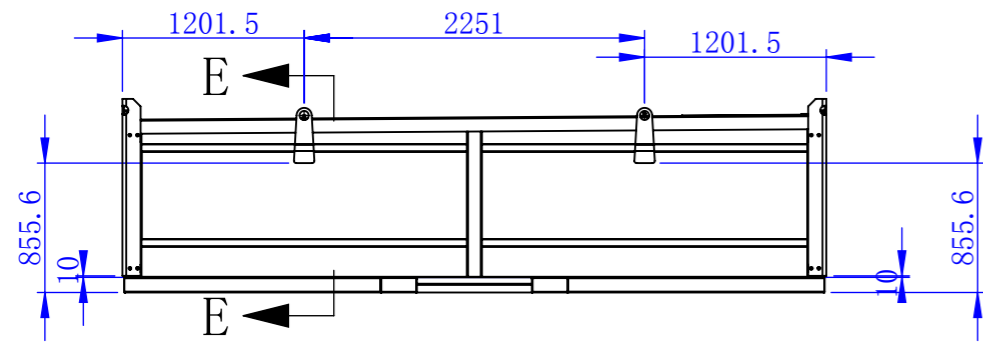
SAVING DATE:  
 DATE:  
 DATE:  
 DATE:

TITLE:  
 CEA 8000L SELF BUNDED BAFFLED CUBE  
 DRAWING NO. :  
 PURCHASE ORDER NO. :

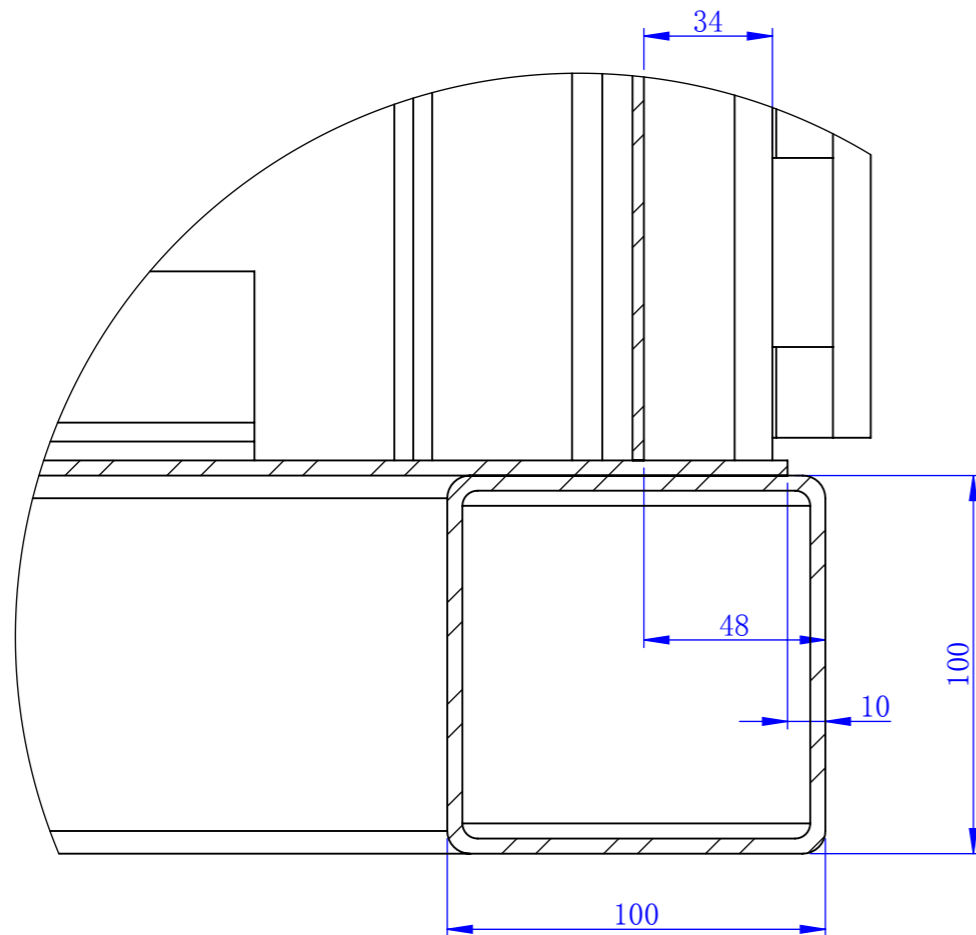
REV:  
 SHEET:  
 4 of 7  
 Scale:  
 No scale

A3





VI



|      |       |           |        |          |           |
|------|-------|-----------|--------|----------|-----------|
| 07   |       |           |        |          |           |
| 06   |       |           |        |          |           |
| 05   |       |           |        |          |           |
| 04   |       |           |        |          |           |
| 03   |       |           |        |          |           |
| 02   |       |           |        |          |           |
| 01   |       |           |        |          |           |
| REV: | DATE: | REVISION: | DRAWN: | CHECKED: | APPROVED: |



Material:  
 Weight: 1559.47KG

DRAWN:  
 CHECKED:  
 CLIENT:  
 APPROVED:

SAVING DATE:  
 DATE:  
 DATE:  
 DATE:

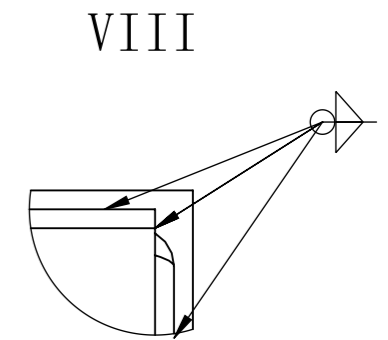
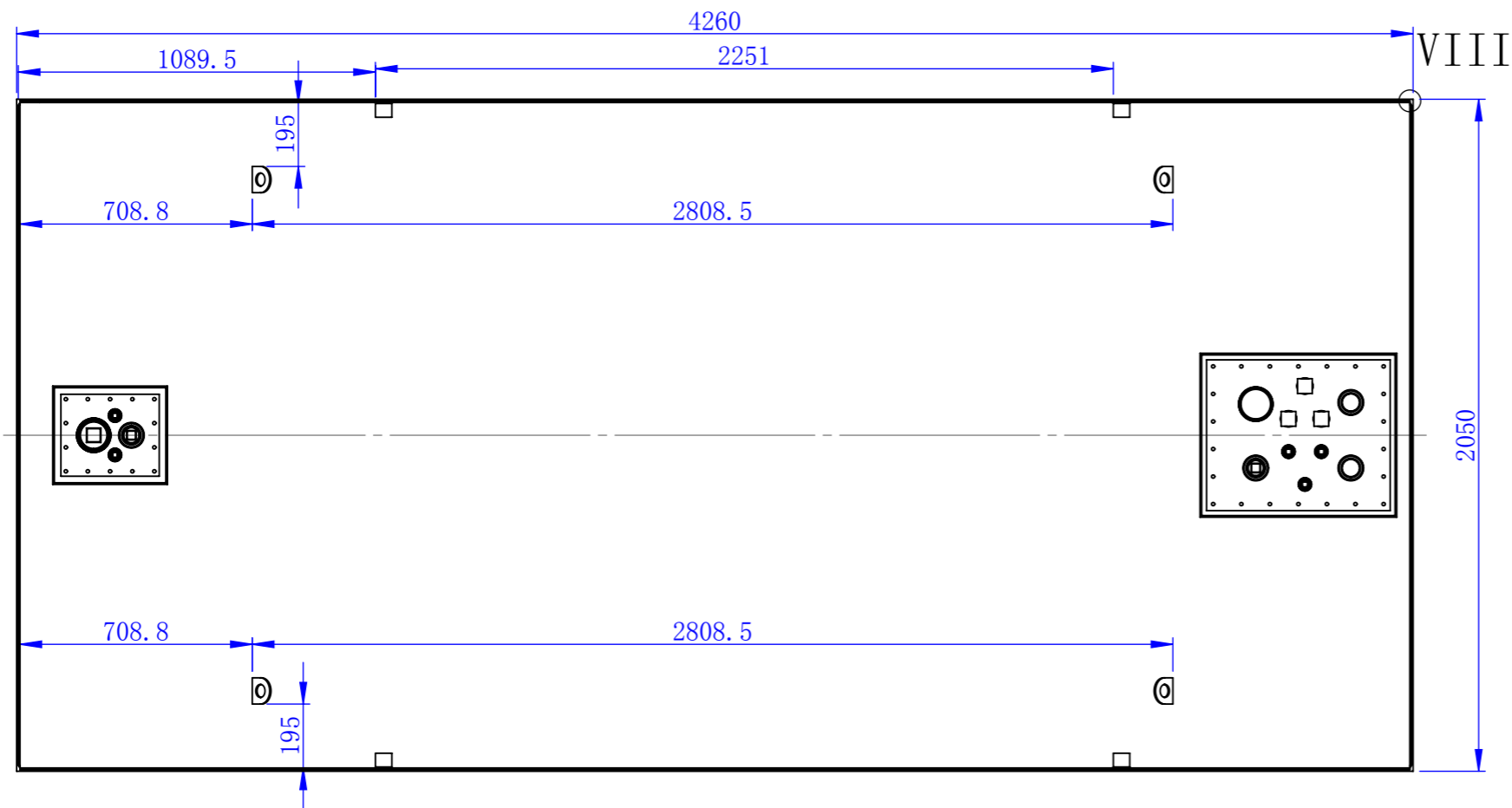
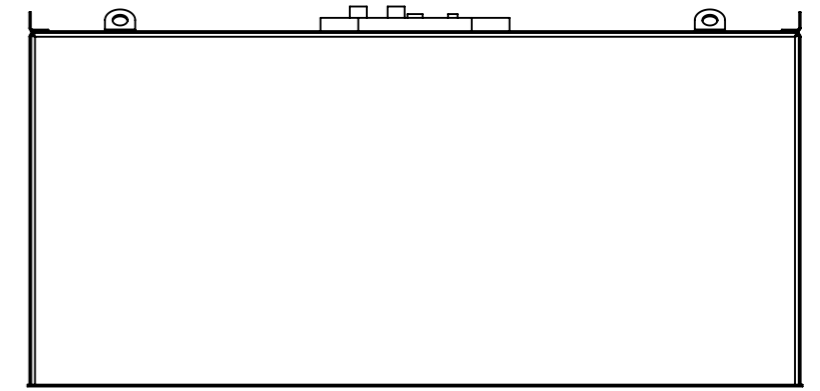
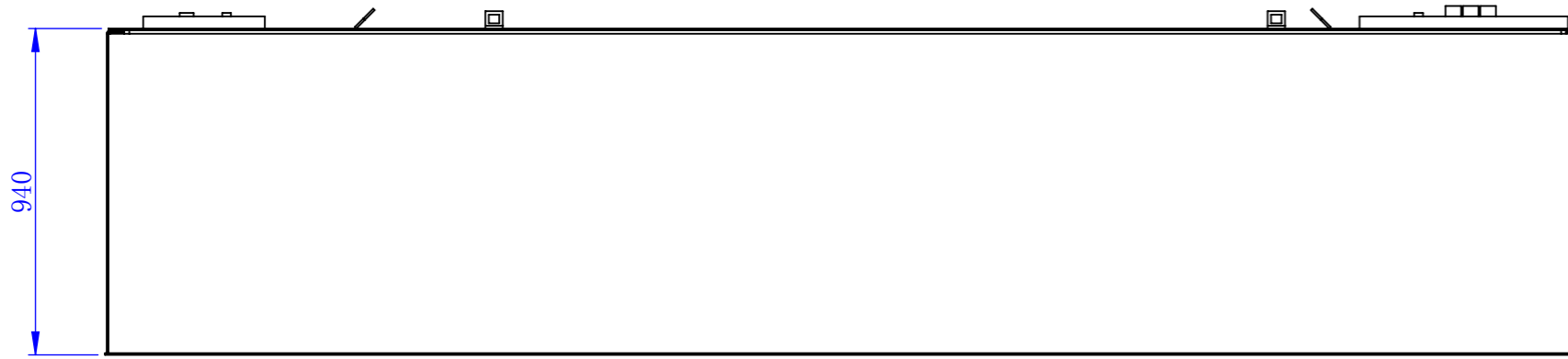
TITLE:  
 CEA 8000L SELF BUNDED BAFFLED CUBE

DRAWING NO. :  
 PURCHASE ORDER NO. :

REV:  
 SHEET:  
 5 of 7  
 Scale:  
 No scale

A3





**110%**  
**REAL CUBE**  
 ceapet.com.au

|      |       |           |        |          |           |
|------|-------|-----------|--------|----------|-----------|
| 07   |       |           |        |          |           |
| 06   |       |           |        |          |           |
| 05   |       |           |        |          |           |
| 04   |       |           |        |          |           |
| 03   |       |           |        |          |           |
| 02   |       |           |        |          |           |
| 01   |       |           |        |          |           |
| REV: | DATE: | REVISION: | DRAWN: | CHECKED: | APPROVED: |



Material:  
 Weight: 1410.04KG

DRAWN:  
 CHECKED:  
 CLIENT:  
 APPROVED:

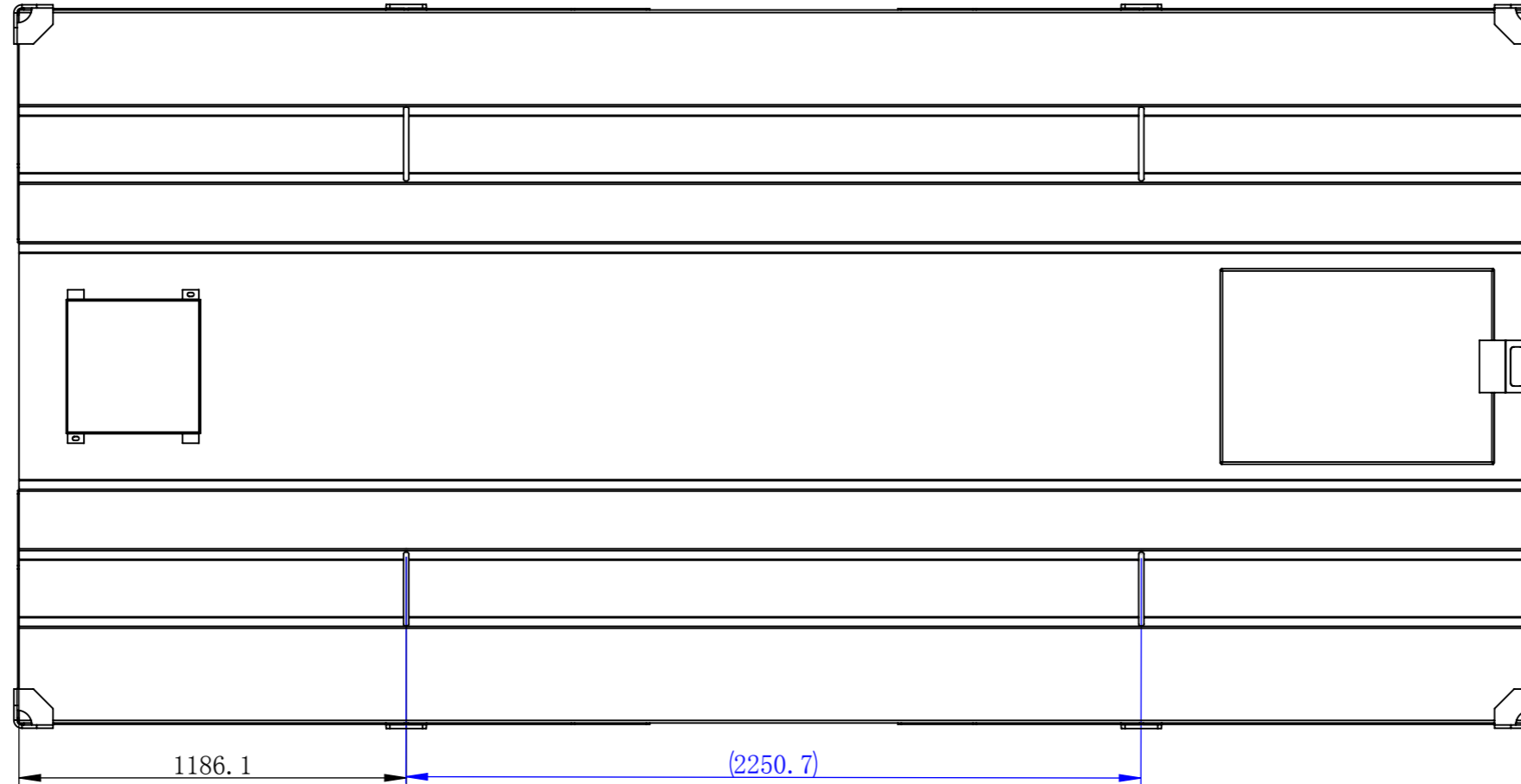
SAVING DATE:  
 DATE:  
 DATE:  
 DATE:

TITLE:  
 CEA 8000L SELF BUNDED BAFFLED CUBE  
 DRAWING NO. :  
 PURCHASE ORDER NO. :

REV:  
 SHEET:  
 6 of 7  
 Scale:  
 No scale

A3





|      |       |           |        |          |           |
|------|-------|-----------|--------|----------|-----------|
| 07   |       |           |        |          |           |
| 06   |       |           |        |          |           |
| 05   |       |           |        |          |           |
| 04   |       |           |        |          |           |
| 03   |       |           |        |          |           |
| 02   |       |           |        |          |           |
| 01   |       |           |        |          |           |
| REV: | DATE: | REVISION: | DRAWN: | CHECKED: | APPROVED: |



Material:  
 Weight: 2969.51KG

DRAWN:  
 CHECKED:  
 CLIENT:  
 APPROVED:

SAVING DATE:  
 2016/8/8  
 DATE:  
 DATE:  
 DATE:

TITLE:  
 CEA 8000L SELF BUNDED BAFFLED CUBE

DRAWING NO. :

PURCHASE ORDER NO. :

REV:  
 SHEET:  
 7 of 7  
 Scale:  
 No scale

A3

⊕ - ▢