

Size	Total Fill Level (L)	Safe Fill Level (L) 95%	Length (mm)	Width (mm)	Height (mm)
CUBE6300	6300L	5950L	3580	2246	1219

REV:	DATE:	REVISION:	DRAWN:	CHECKED:	APPROVED:
07					
06					
05					
04					
03					
02					
01					

Note:
 > Designed and approved to AS1940 / AS1692 / AS1657
 > All welding to AS1554.1



Material:
Weight: 2122.07KG

DRAWN: DATE: 2016/7/11
 CHECKED: DATE:
 CLIENT: DATE:
 APPROVED: DATE:

TITLE:
CEA 6300L SELF BUNDED BAFFLED CUBE

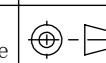
DRAWING NO. :

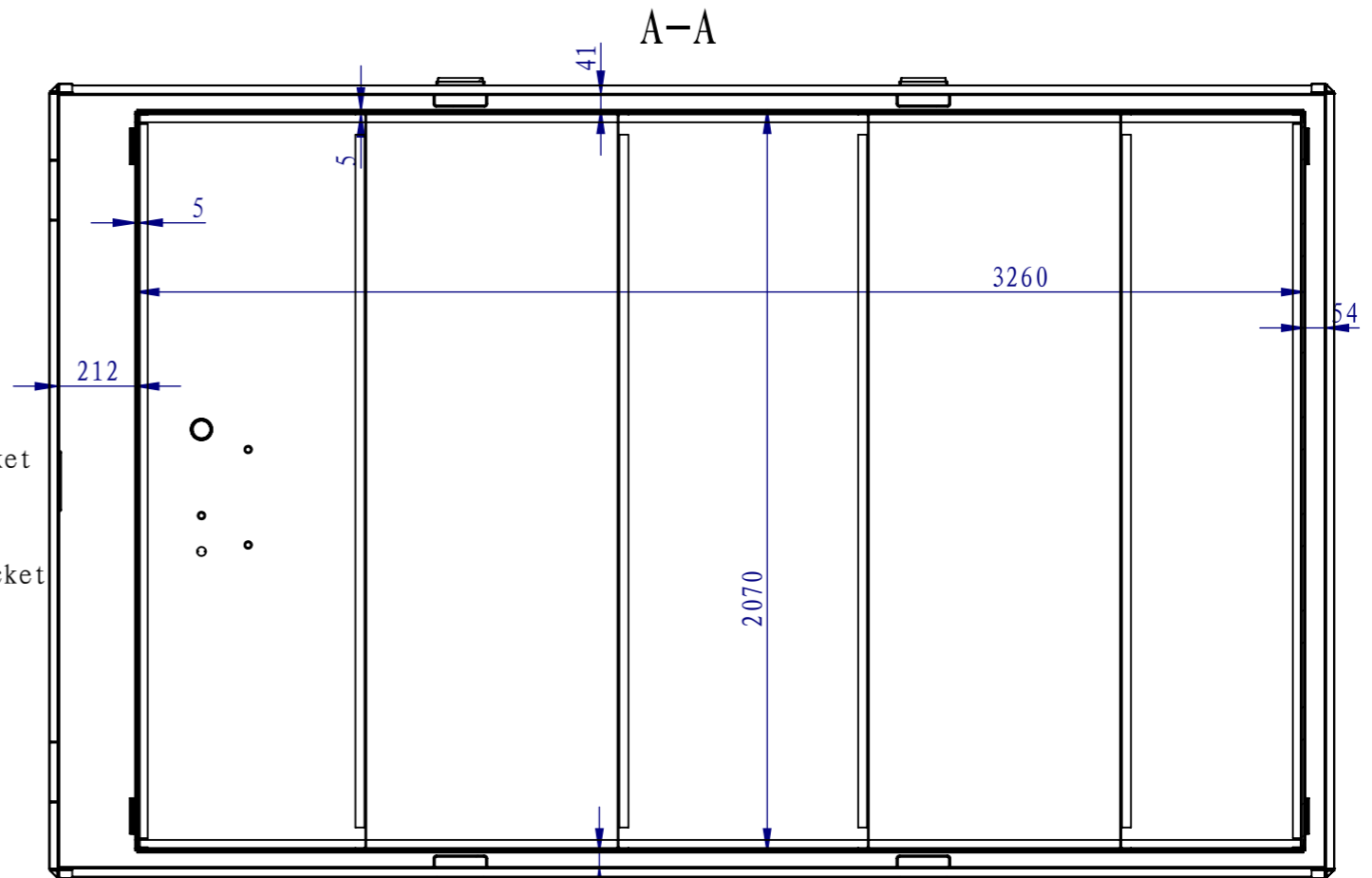
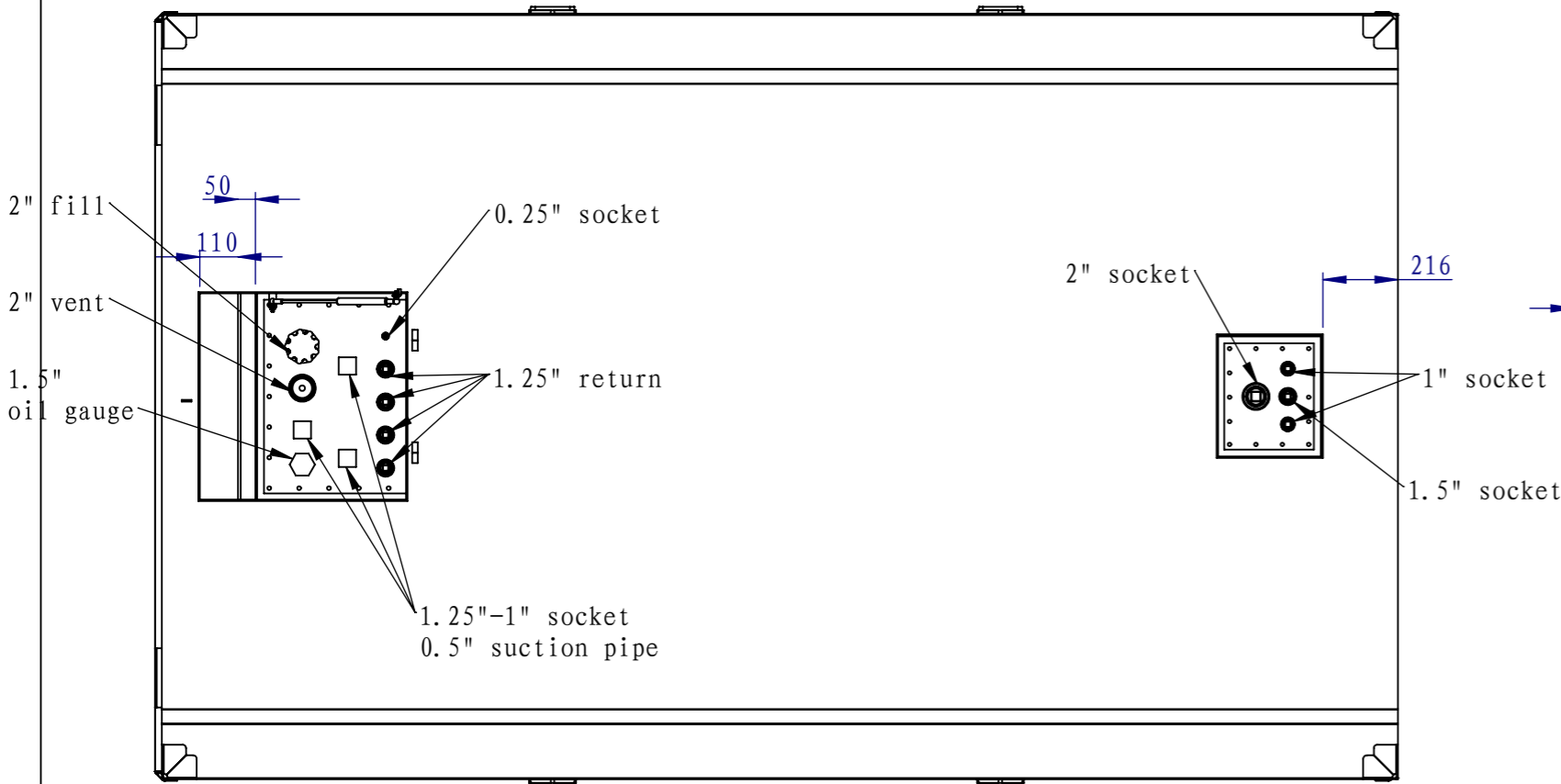
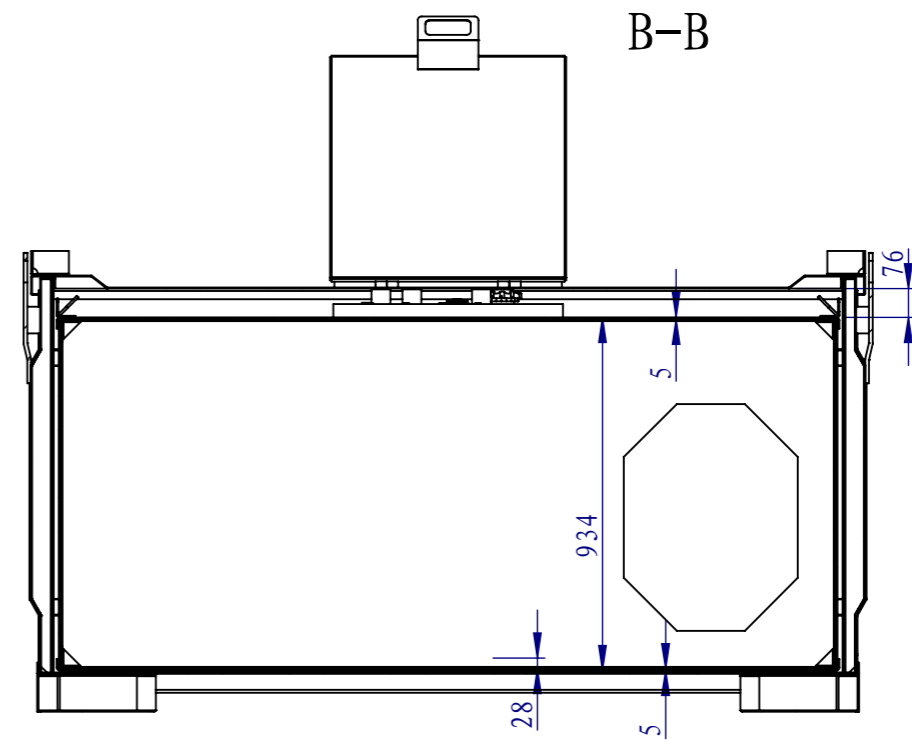
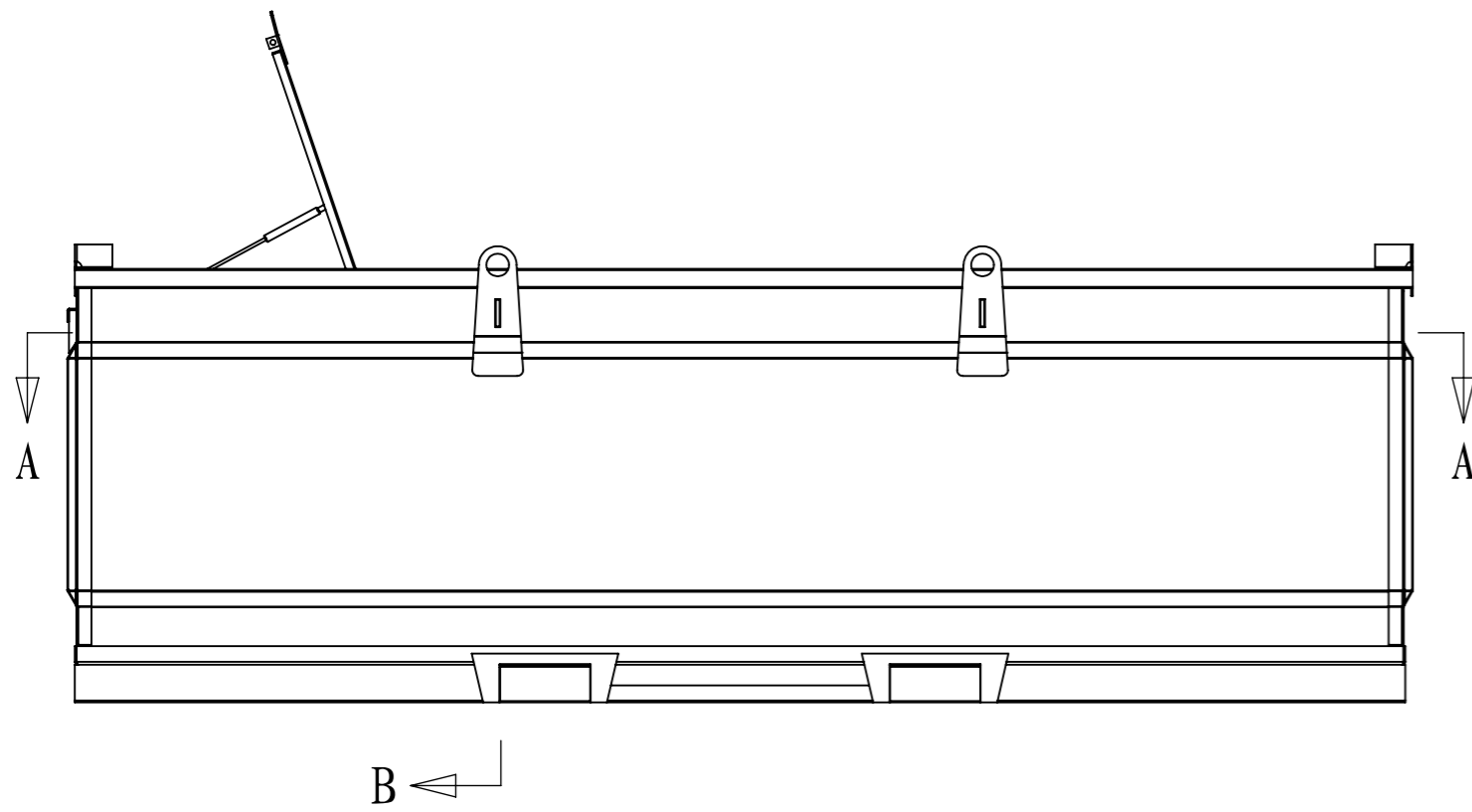
PURCHASE ORDER NO. :

REV: 01
SHEET: 1 of 3

Scale: No scale

A3





07					
06					
05					
04					
03					
02					
01					
REV:	DATE:	REVISION:	DRAWN:	CHECKED:	APPROVED:

Note:
 1. All thread is BSP ;



Material:
 Weight: 2122.07KG

DRAWN: 41
 CHECKED:
 CLIENT:
 APPROVED:

SAVING DATE: 2016/7/11
 DATE:
 DATE:
 DATE:
 TITLE: CEA 6300L SELF BUNDED BAFFLED CUBE
 DRAWING NO. :
 PURCHASE ORDER NO. :
 REV:
 SHEET: 2 of 3
 Scale: No scale

A3

