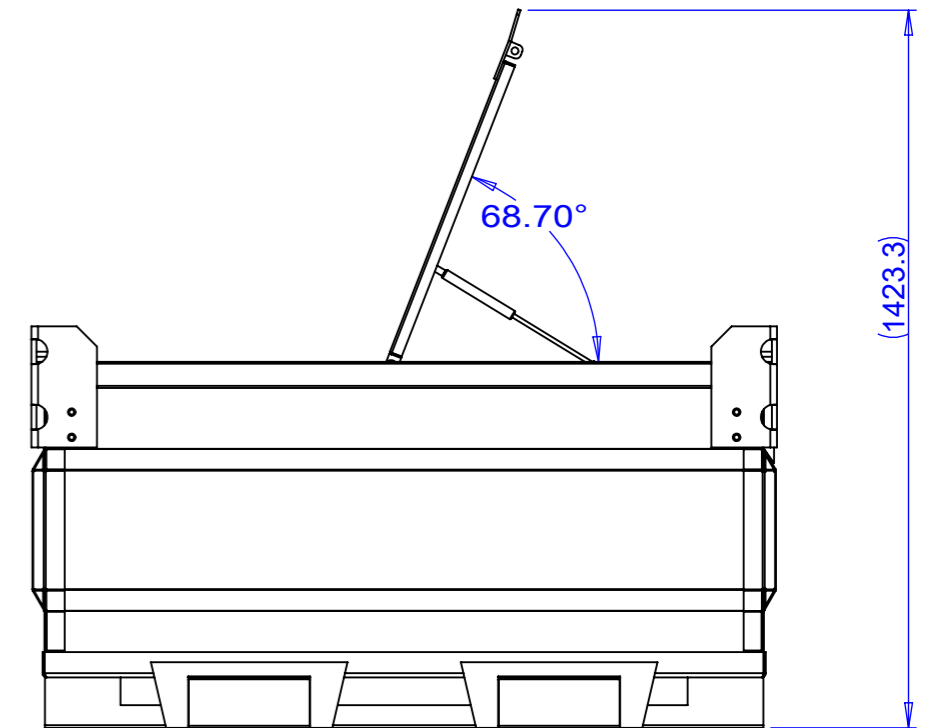
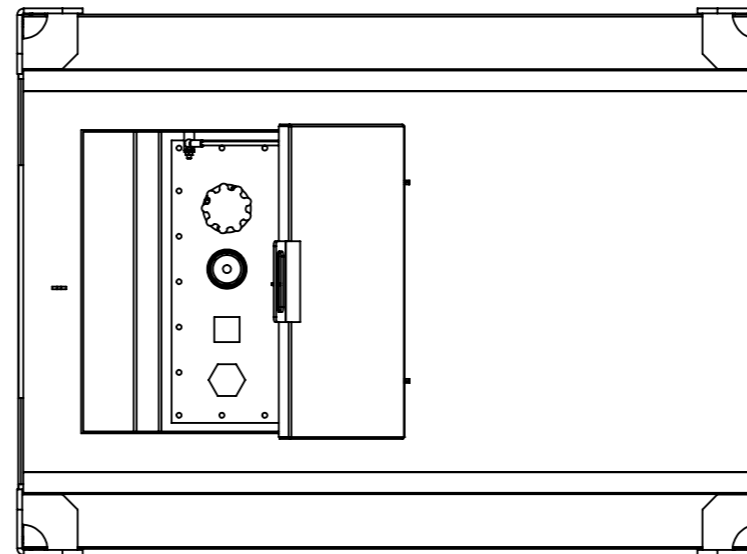
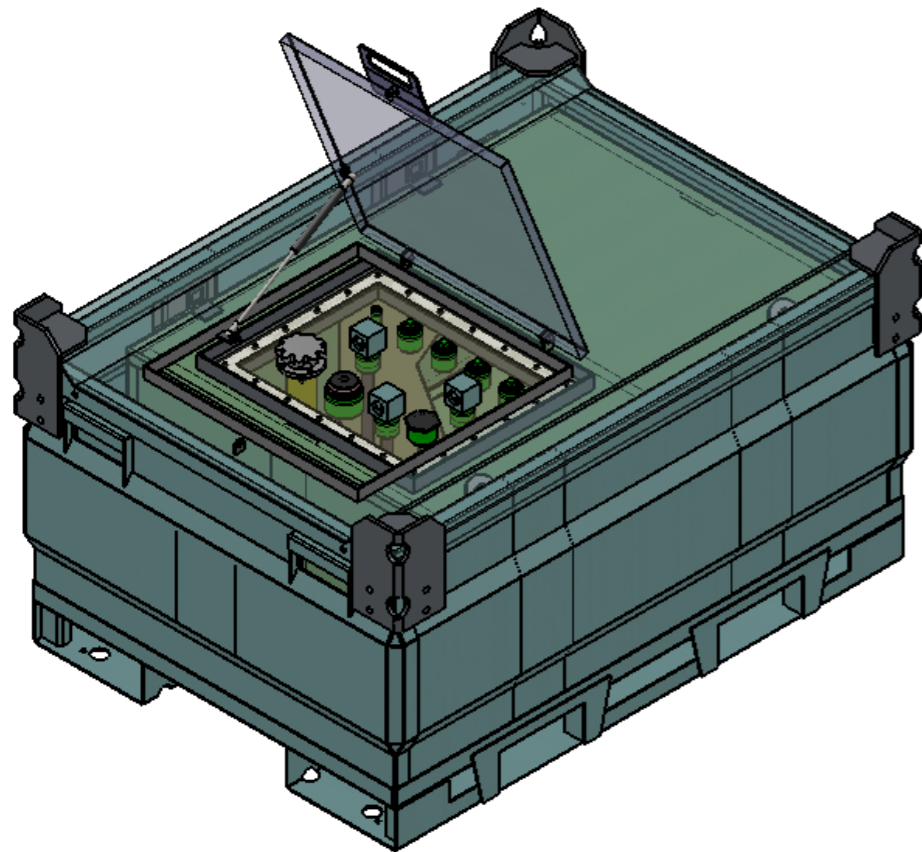
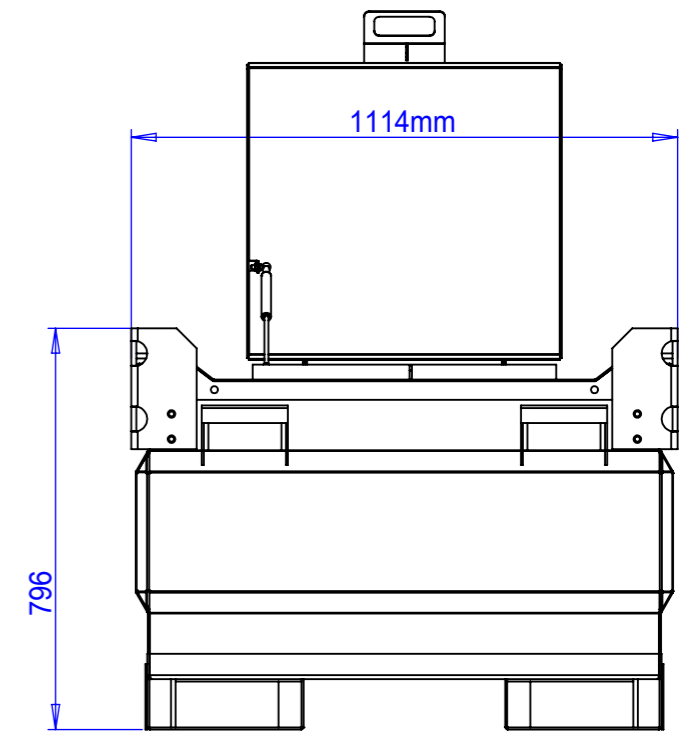
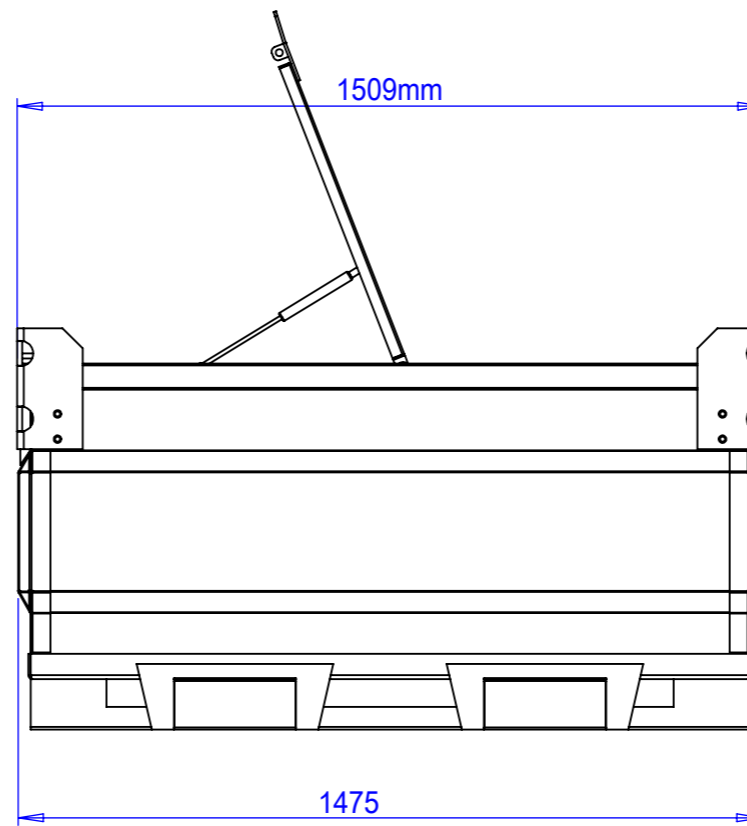
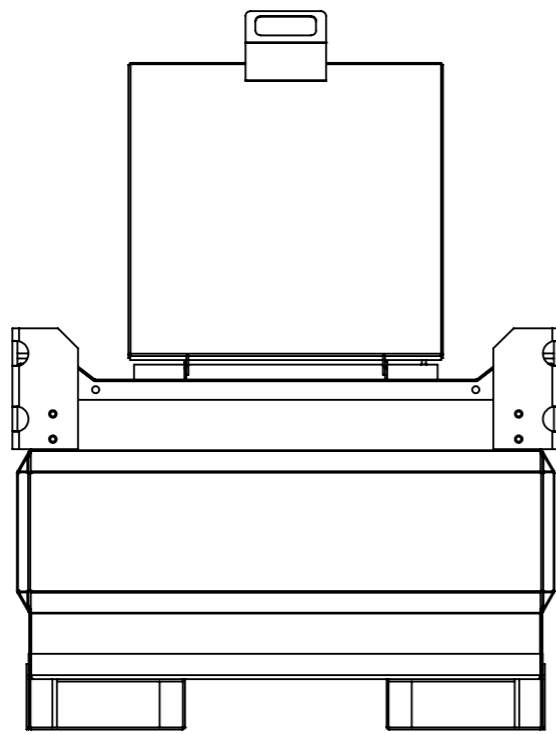


110%
REAL CUBE
 ceapet.com.au



Size	Total Fill Level (L)	Safe Fill Level (L)	Length (mm)	Width (mm)	Height (mm)
CUBE550	550L	500L	1509	1114	796

07					
06					
05					
04					
03					
02					
01					
REV:	DATE:	REVISION:	DRAWN:	CHECKED:	APPROVED:

Note:
 > Designed and approved to AS1940 / AS1692 / AS1657
 > All welding to AS1554.1



Material:
 Weight: 430.64KG

DRAWN:
 CHECKED:
 CLIENT:
 APPROVED:

DATE: 2018/7/11
 DATE:
 DATE:
 DATE:

TITLE: CEA CUBE 550
 DRAWING NO. :
 PURCHASE ORDER NO. :

REV: 01
 SHEET: 1 of 3
 Scale: No scale

A3

