

110%
REAL CUBE
ceapet.com.au

Size	Total Fill Level (L)	Safe Fill Level (L) 95%	Length (mm)	Width (mm)	Height (mm)
CUBE4500	4500L	4100L	3002	2046	1221

07					
06					
05					
04					
03					
02					
01					
REV:	DATE:	REVISION:	DRAWN:	CHECKED:	APPROVED:

Note:
 > Designed and approved to AS1940 / AS1692 / AS1657
 > All welding to AS1554.1



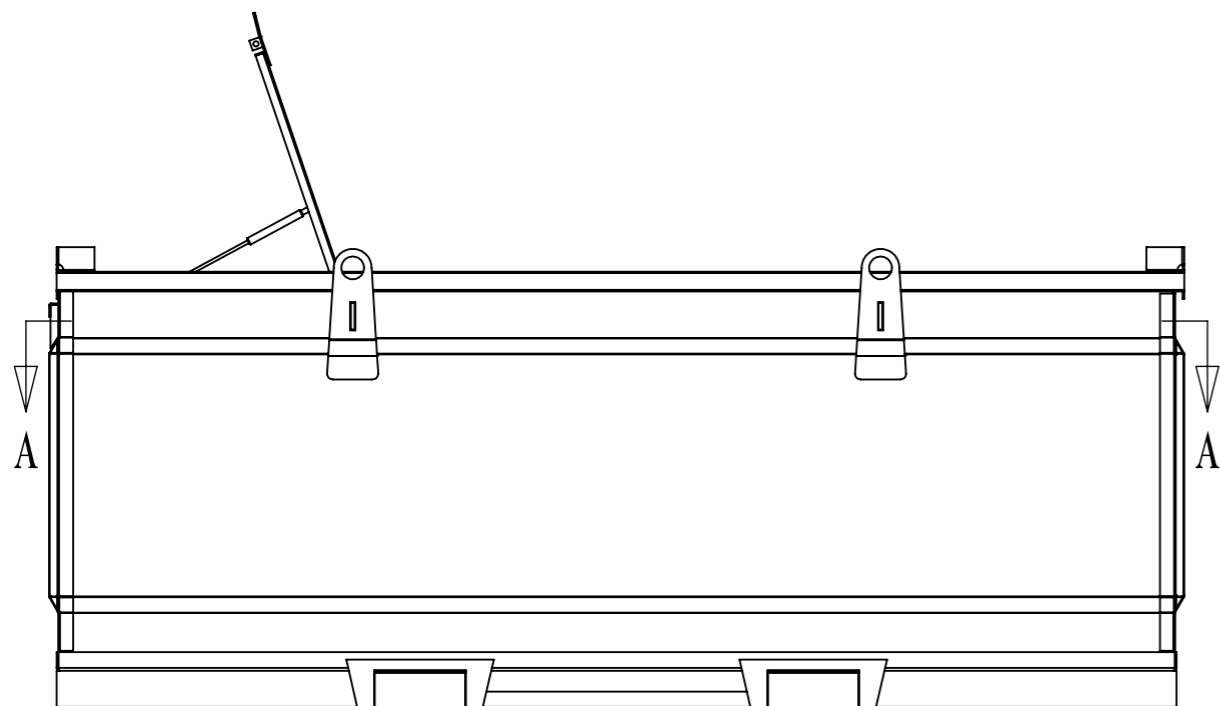
Material:
Weight: 1734.96KG

DRAWN:	DATE: 2016/7/8
CHECKED:	DATE:
CLIENT:	DATE:
APPROVED:	DATE:

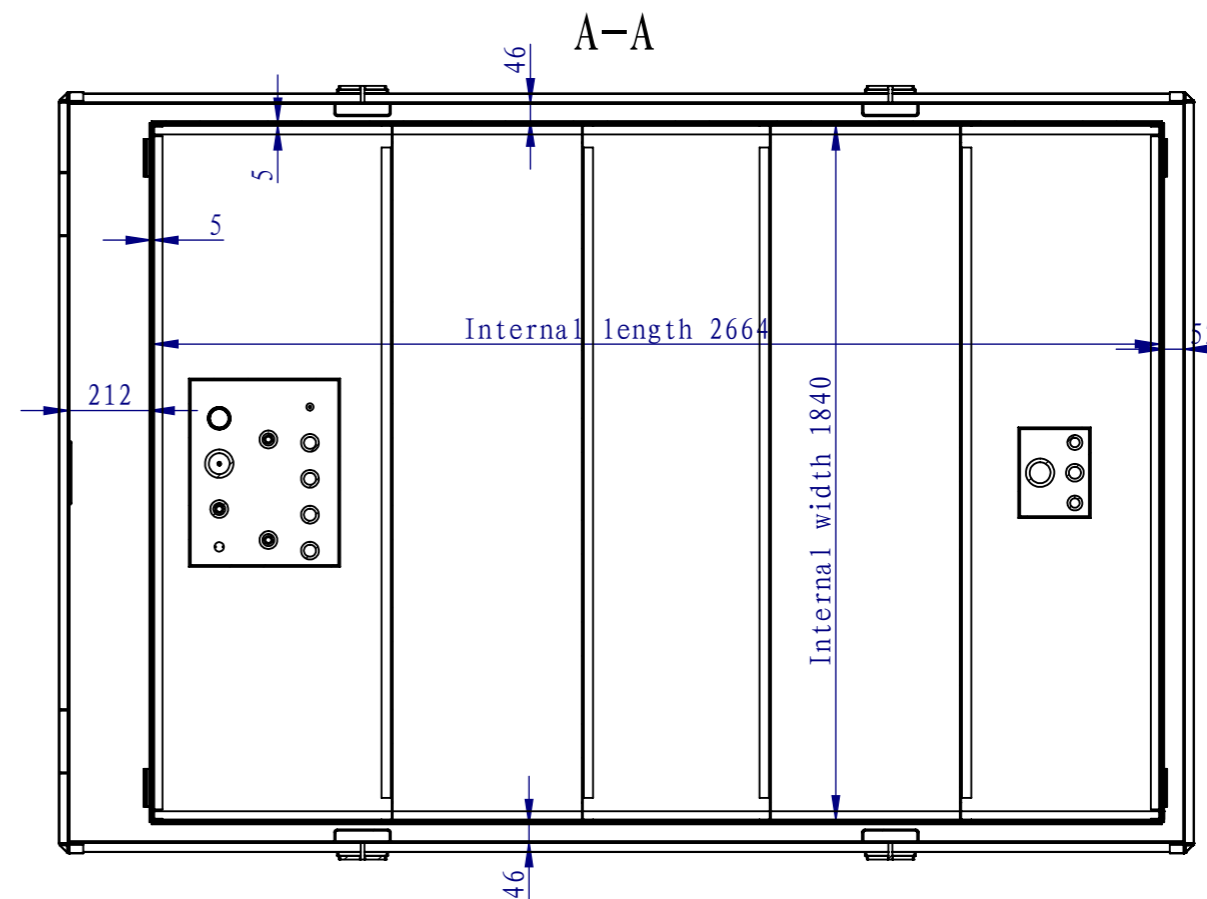
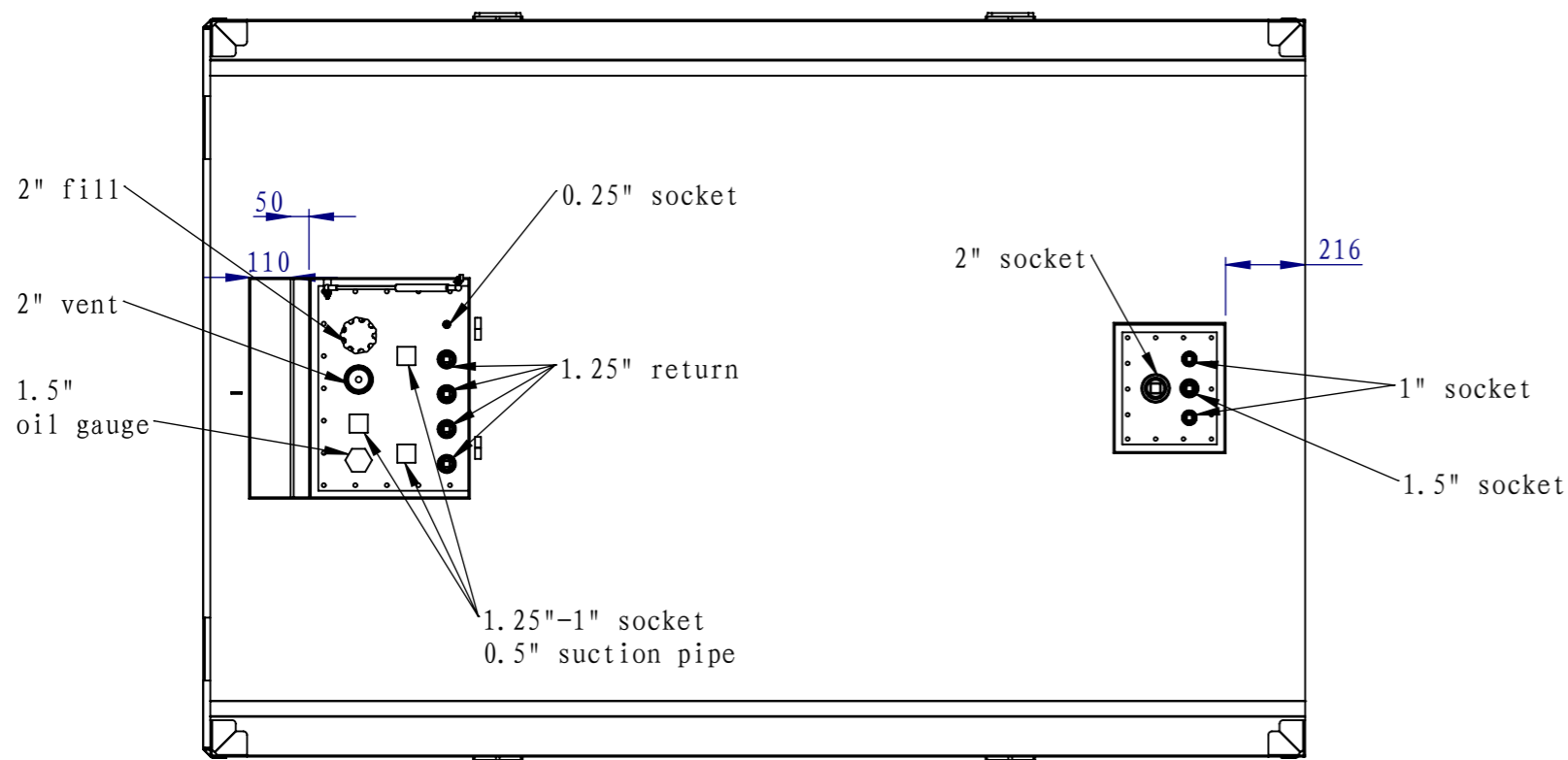
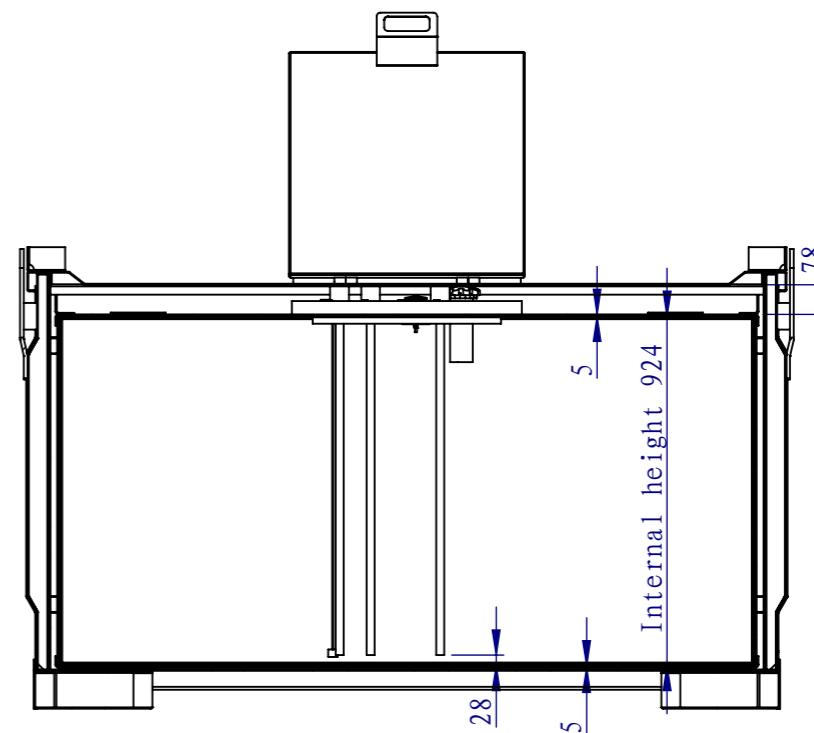
TITLE: CEA 4500L SELF BUNDED BAFFLED CUBE	
DRAWING NO. :	REV: 01
	SHEET: 1 of 3
PURCHASE ORDER NO. :	Scale: No scale

A3





B ←



07					
06					
05					
04					
03					
02					
01					
REV:	DATE:	REVISION:	DRAWN:	CHECKED:	APPROVED:

Note:
 1. All thread is BSP ;



Material:
 Weight: 1734.96KG

DRAWN: SAVING DATE: 2016/7/8
 CHECKED: DATE:
 CLIENT: DATE:
 APPROVED: DATE:

TITLE:
CEA 4500L SELF BUNDED BAFFLED CUBE
 DRAWING NO. :
 PURCHASE ORDER NO. :

REV:
 SHEET:
 2 of 3
 Scale:
 No scale

A3

