

**110%**  
**REAL CUBE**  
ceapet.com.au

Size	Total Fill Level (L)	Safe Fill Level (L) 95%	Length (mm)	Width (mm)	Height (mm)
CUBE2200	2200L	2000L	1589	2166	1221

07					
06					
05					
04					
03					
02					
01					
REV:	DATE:	REVISION:	DRAWN:	CHECKED:	APPROVED:

**Note:**  
> Designed and approved to AS1940 / AS1692 / AS1657  
> All welding to AS1554.1



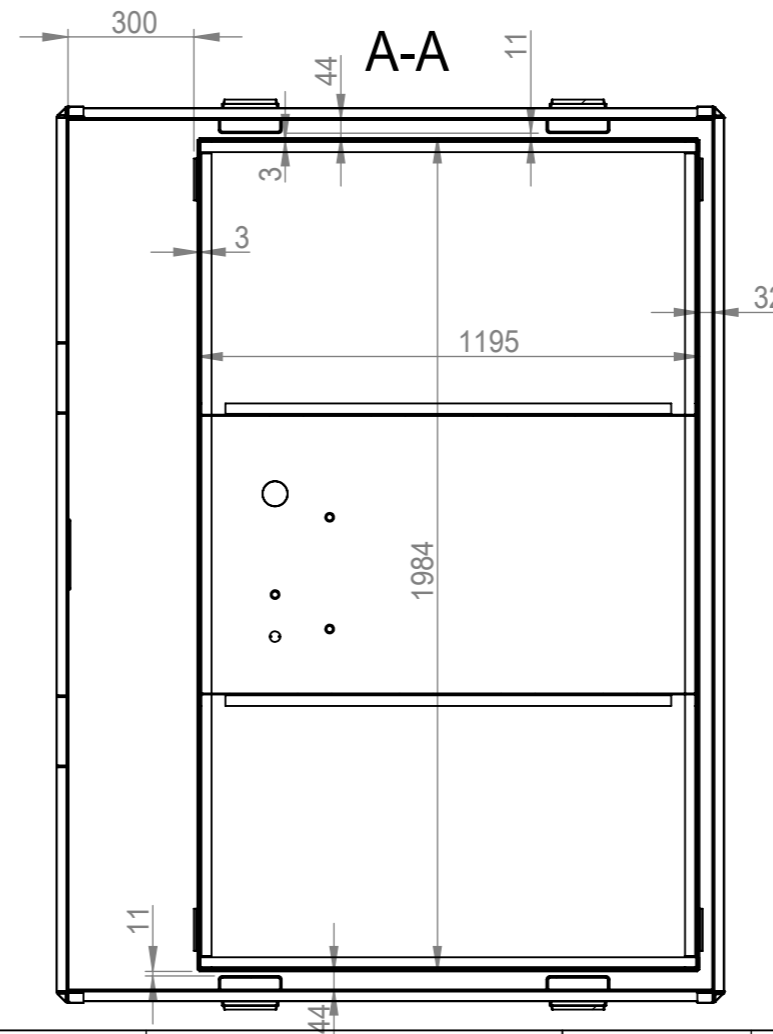
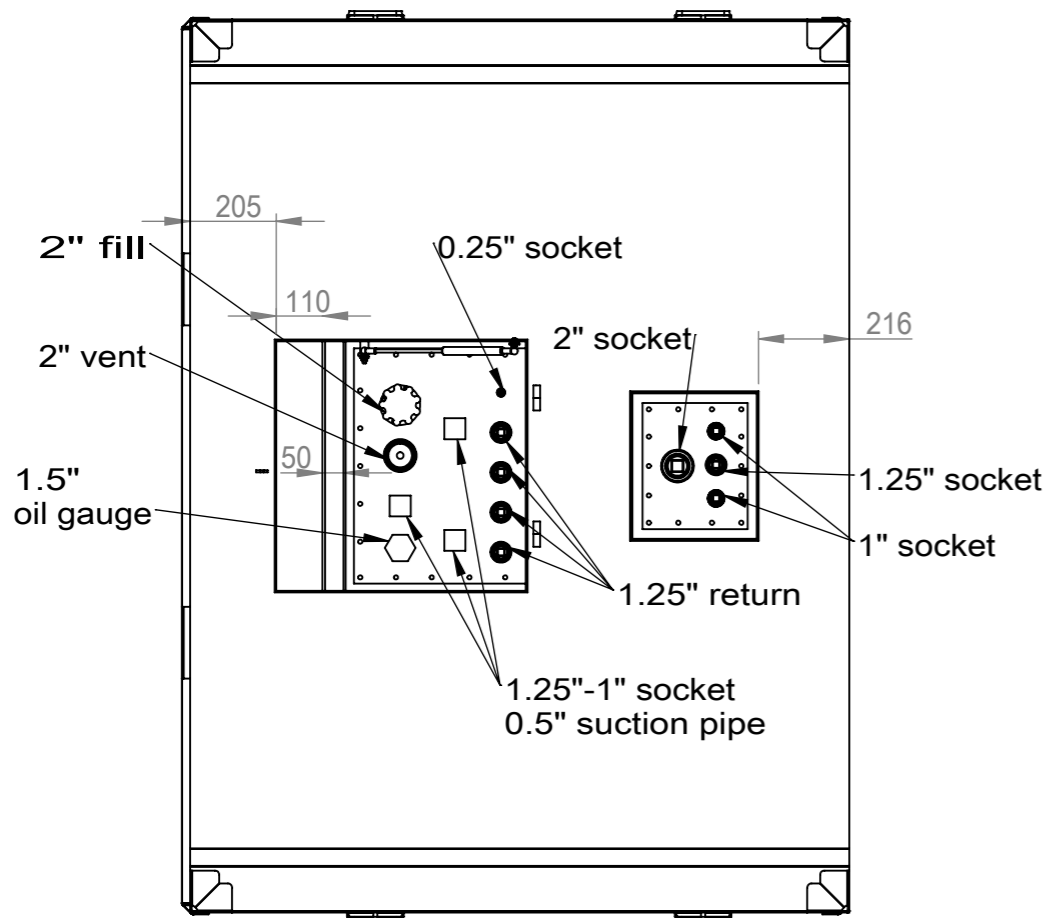
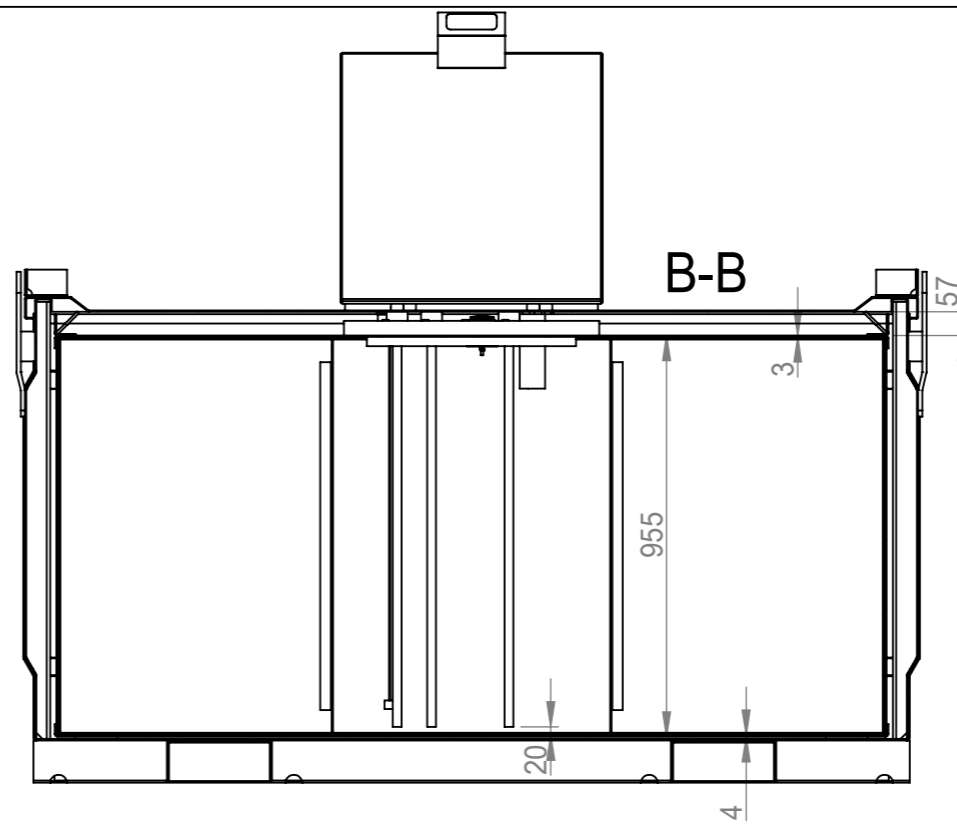
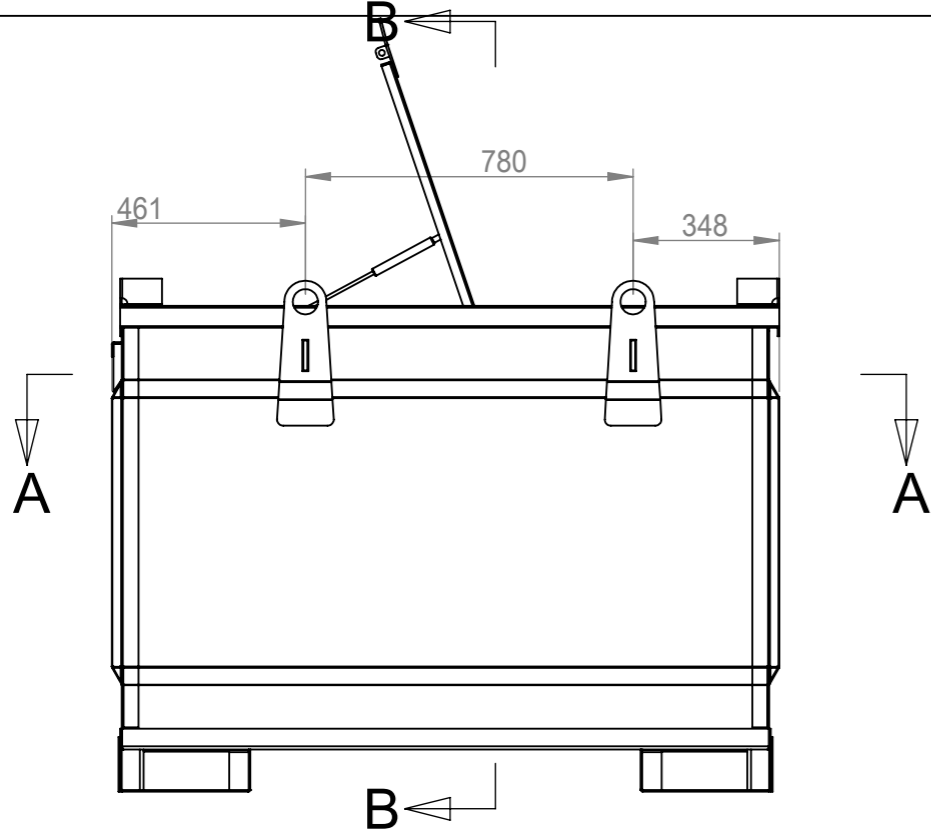
Material:  
Weight: 887.88KG

DRAWN: DATE: 2017/6/12  
CHECKED: DATE:  
CLIENT: DATE:  
APPROVED: DATE:

TITLE: CEA 2200L Self Bunded Cube  
DRAWING NO. :  
PURCHASE ORDER NO. :

REV: 01  
SHEET: 1 of 3  
Scale: No scale  
A3

**110%**  
**REAL CUBE**  
 ceapet.com.au



07					
06					
05					
04					
03					
02					
01					
REV:	DATE:	REVISION:	DRAWN:	CHECKED:	APPROVED:

Note:  
 1.All thread is BSP ;



Material:  
 Weight: 887.88KG

DRAWN:  
 CHECKED:  
 CLIENT:  
 APPROVED:

SAVING DATE:  
 DATE:  
 DATE:  
 DATE:

TITLE:  
 CEA 2200L Self Bunded Cube  
 DRAWING NO. :  
 PURCHASE ORDER NO. :

REV:  
 SHEET:  
 2 of 3  
 Scale:  
 No scale

A3

