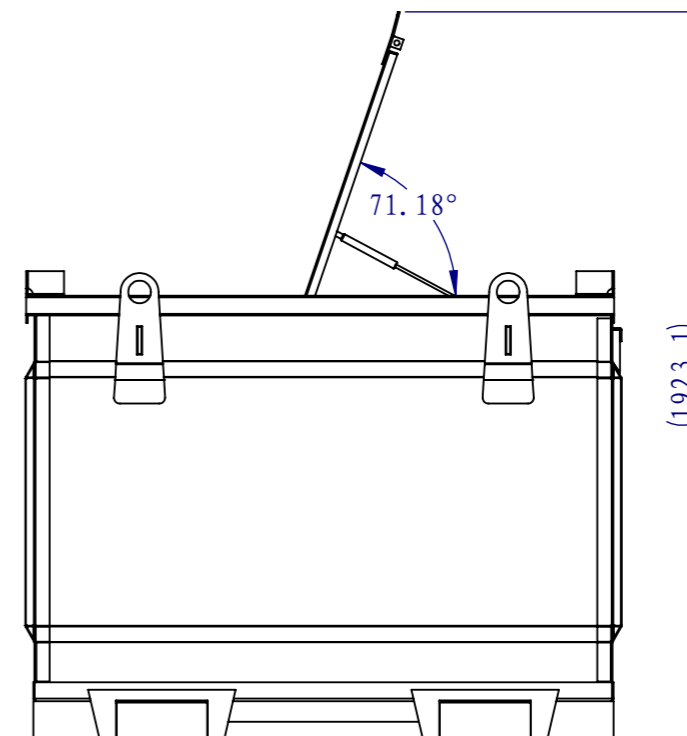
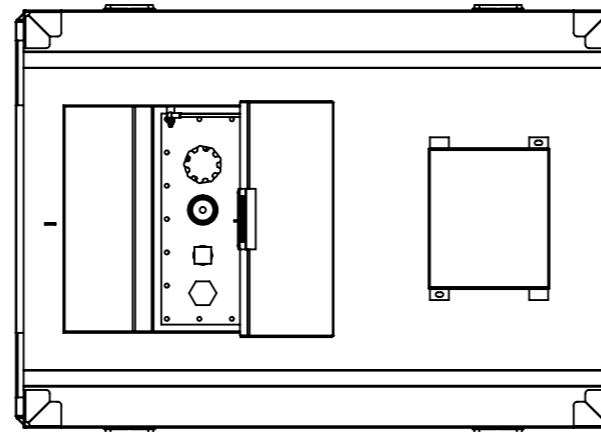
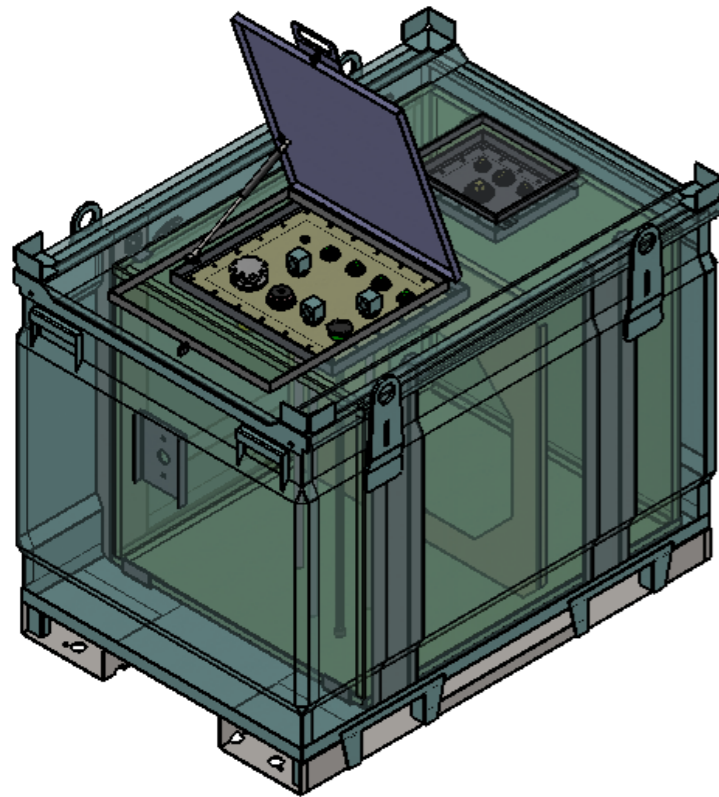
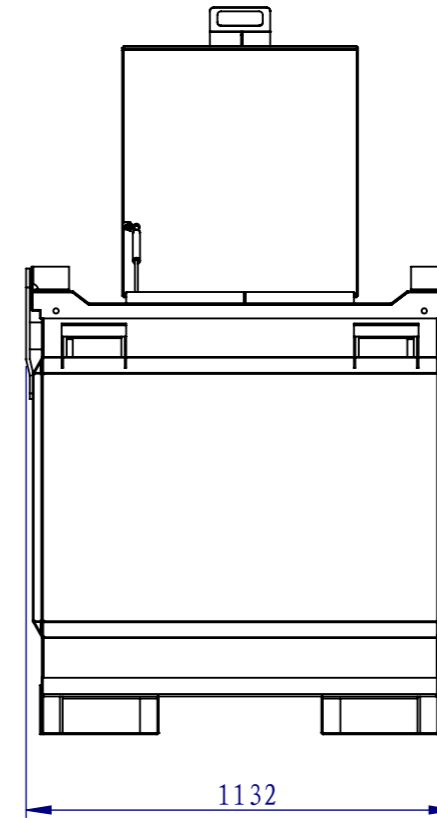
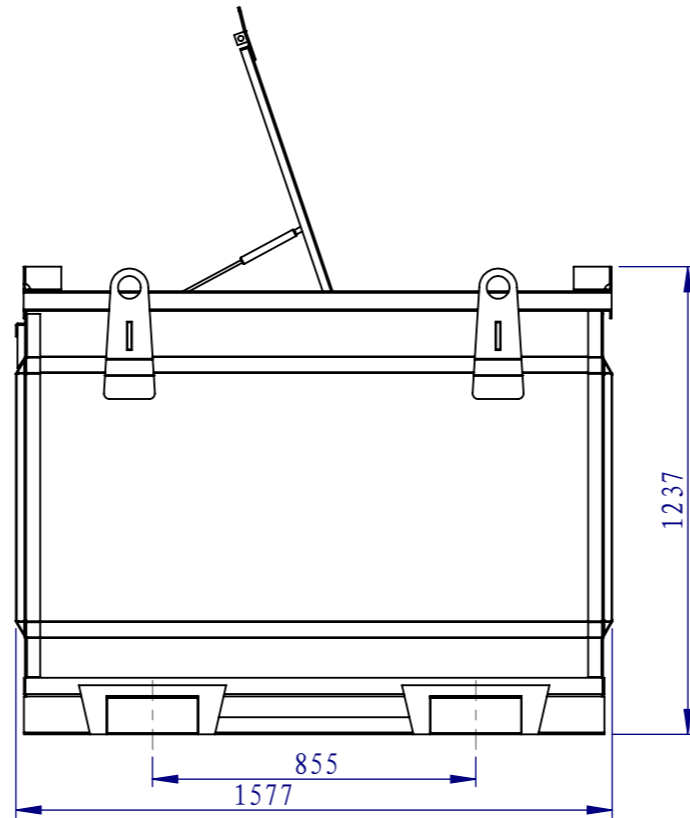
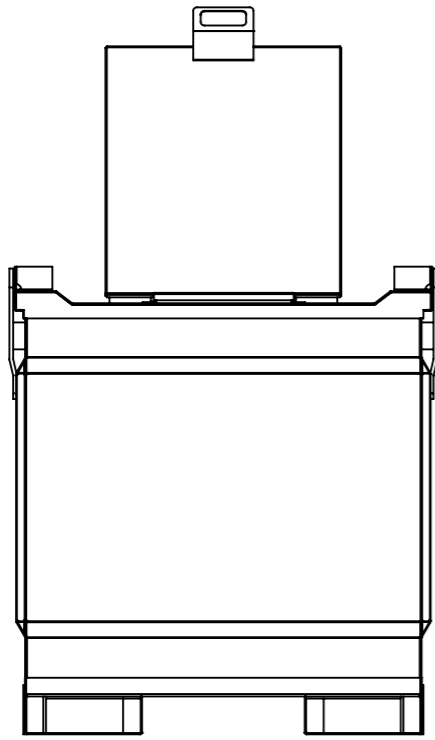


110%
REAL CUBE
 ceapet.com.au



Size	Total fill Level (L)	Safe fill Level (L) 95%	Length (mm)	Width (mm)	Height (mm)
CUBE1060	1060L	1000L	1577	1132	1237

07					
06					
05					
04					
03					
02					
01					
REV:	DATE:	REVISION:	DRAWN:	CHECKED:	APPROVED:

Note:
 > Designed and approved to AS1940 / AS1692 / AS1657
 > All welding to AS1554.1



Material:
 Weight: 545.68KG

DRAWN: DATE: 2016/7/11
 CHECKED: DATE:
 CLIENT: DATE:
 APPROVED: DATE:

TITLE:
 CEA 1100L SELF BUNDED BAFFLED CUBE

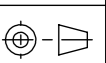
DRAWING NO. :

PURCHASE ORDER NO. :

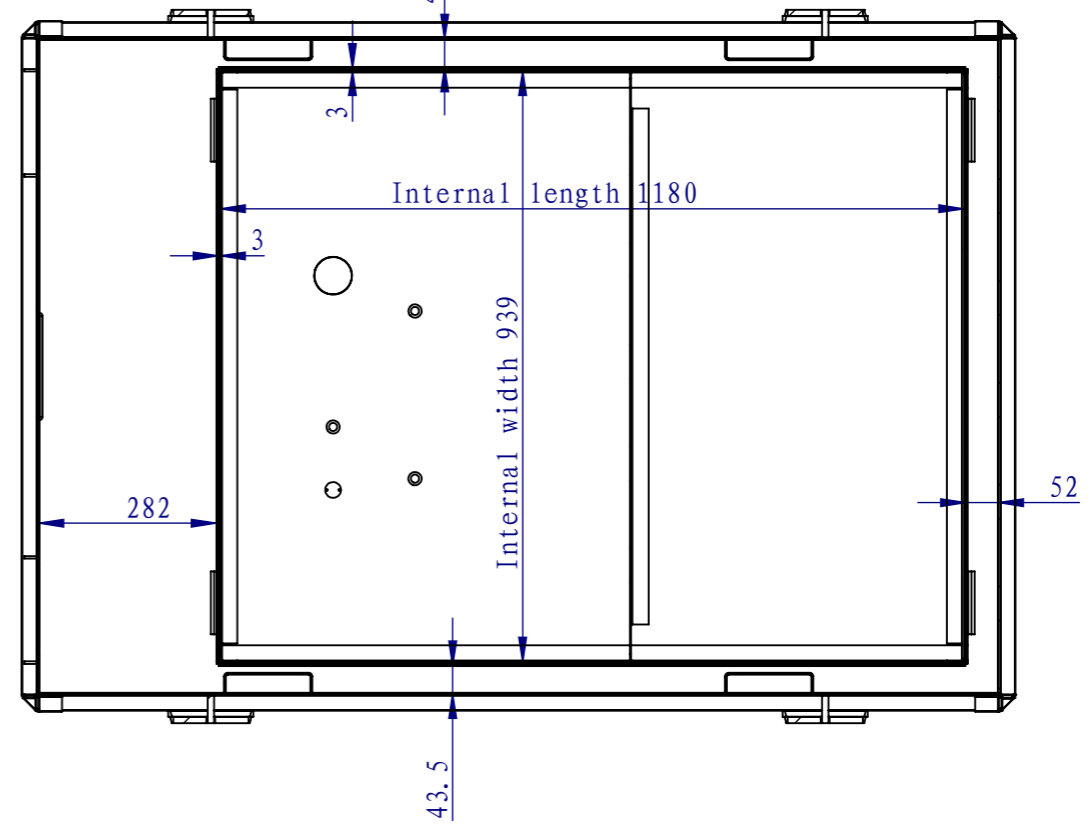
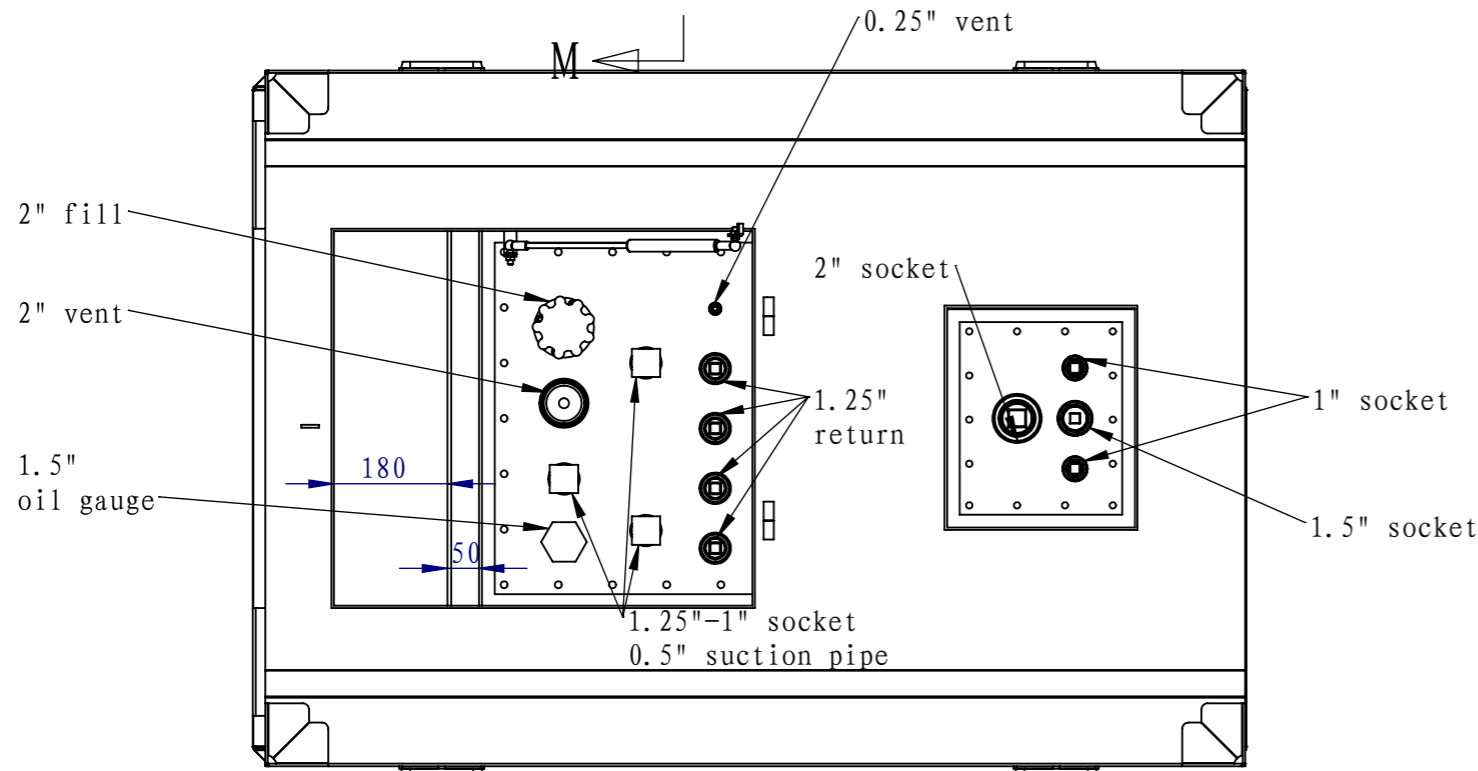
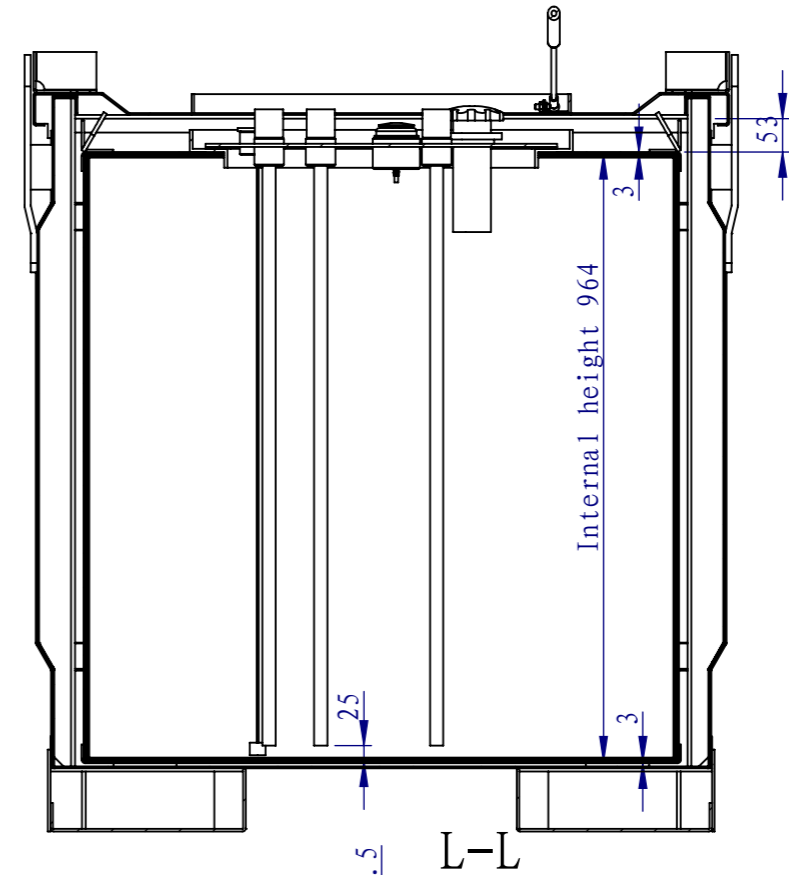
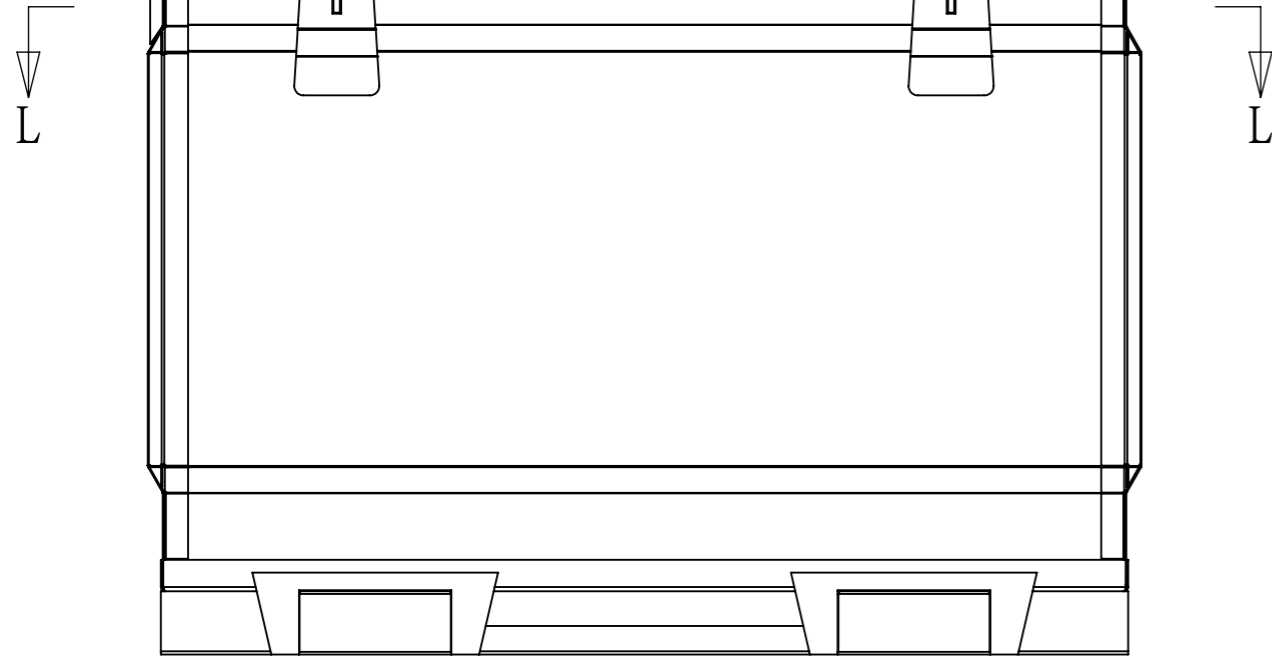
REV: 01
 SHEET: 1 of 4

Scale: No scale

A3



110%
REAL CUBE
 ceapet.com.au



07					
06					
05					
04					
03					
02					
01					
REV:	DATE:	REVISION:	DRAWN:	CHECKED:	APPROVED:

Note:
 1. All thread is BSP;



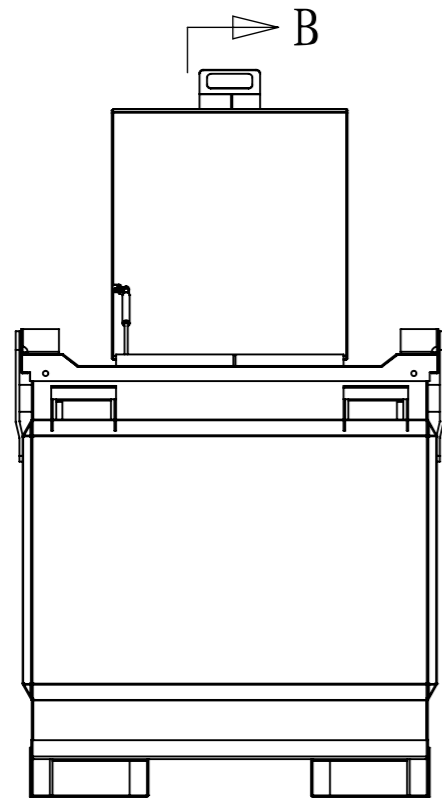
Material:
 Weight: 545.68KG

DRAWN: DATE: 2016/7/11
 CHECKED: DATE:
 CLIENT: DATE:
 APPROVED: DATE:

TITLE:
 CEA 1100L SELF BUNDED BAFFLED CUBE
 DRAWING NO. :
 PURCHASE ORDER NO. :
 REV: 01
 SHEET: 2 of 4
 Scale: No scale

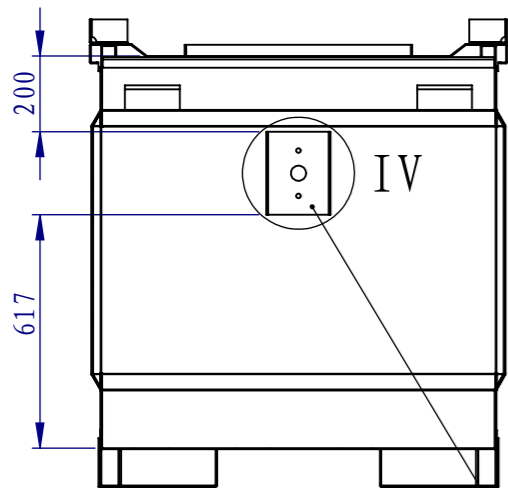
A3



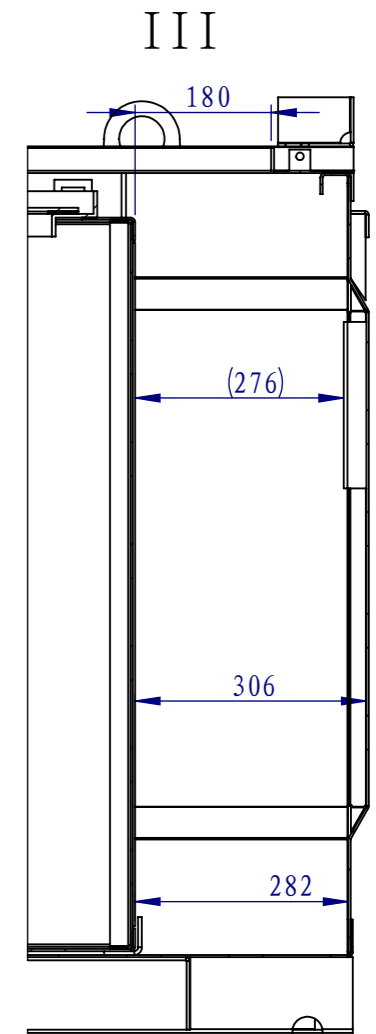
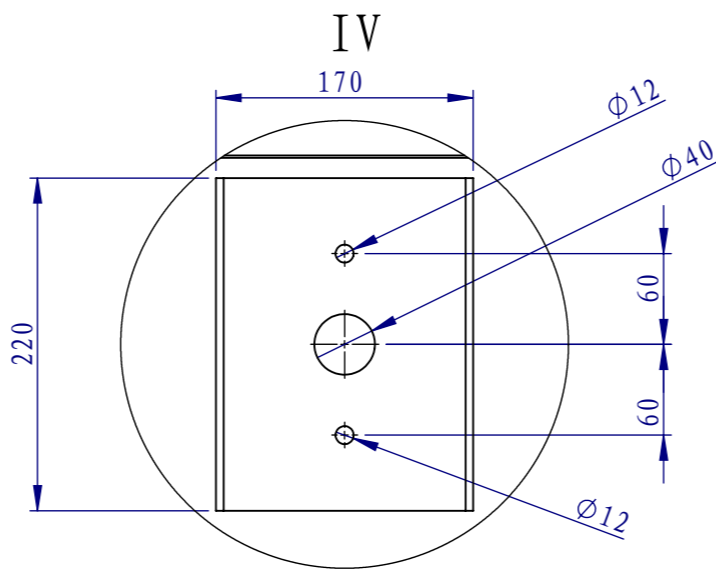
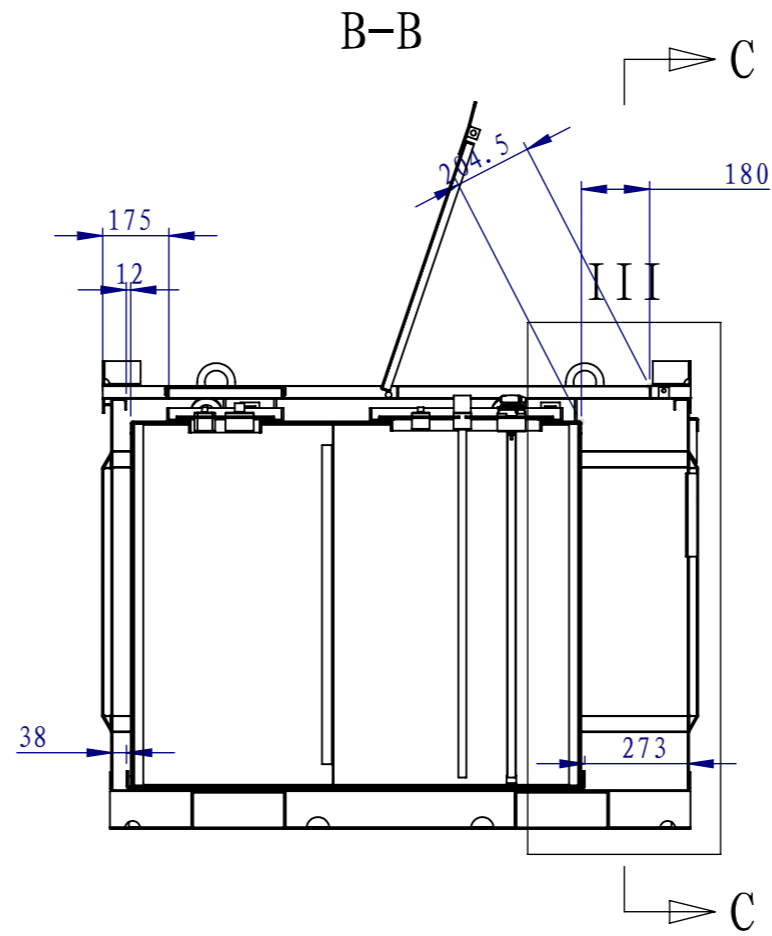


B

C-C



Pump block



110%
REAL CUBE
 ceapet.com.au

07					
06					
05					
04					
03					
02					
01					
REV:	DATE:	REVISION:	DRAWN:	CHECKED:	APPROVED:



Material:
 Weight: 545.68KG

DRAWN: DATE: 2016/7/11
 CHECKED: DATE:
 CLIENT: DATE:
 APPROVED: DATE:

TITLE: CEA 1100L SELF BUNDED BAFFLED CUBE
 DRAWING NO. :
 PURCHASE ORDER NO. :

REV: 01
 SHEET: 3 of 4

A3

Scale: No scale

