

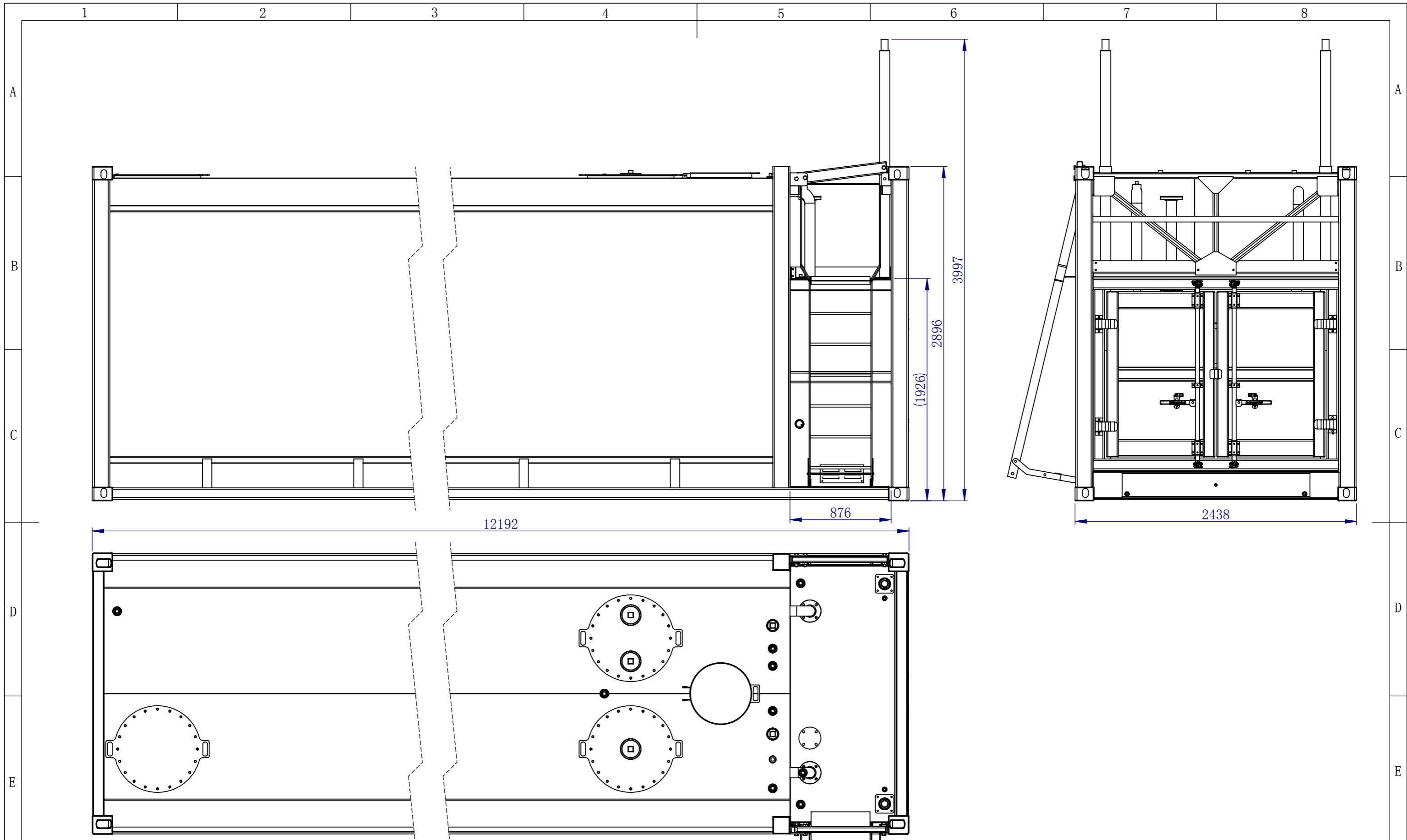
| NO.     | Changes | File      | SIGN   | DATE |
|---------|---------|-----------|--------|------|
| Design  |         | 2014/6/25 | Number |      |
| CHK' D  |         |           | Scale  |      |
| CHK' D  |         |           |        |      |
| APPV' D |         |           |        |      |




|            |    |                         |   |
|------------|----|-------------------------|---|
| Project :  |    | CON-69 Self Bunded Tank |   |
| Part Name: |    | 40' HC                  |   |
| Part NO. : |    |                         |   |
| Revision   | 01 | SHEET                   | 1 |
|            |    | TOTAL SHEET             | 2 |

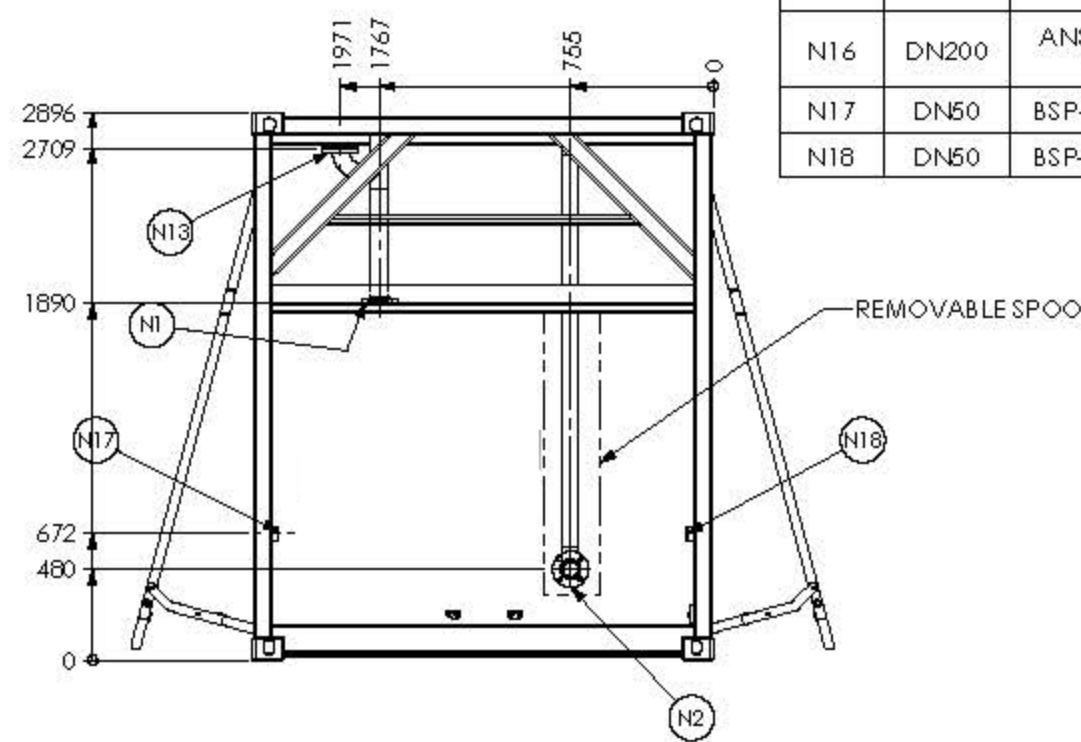
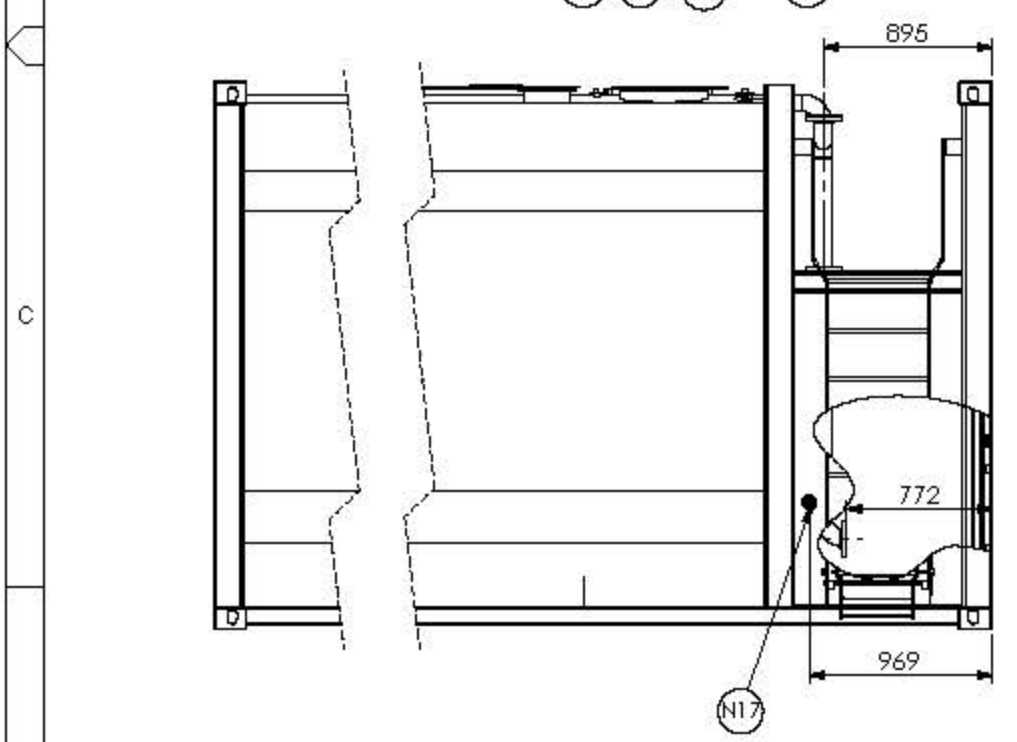
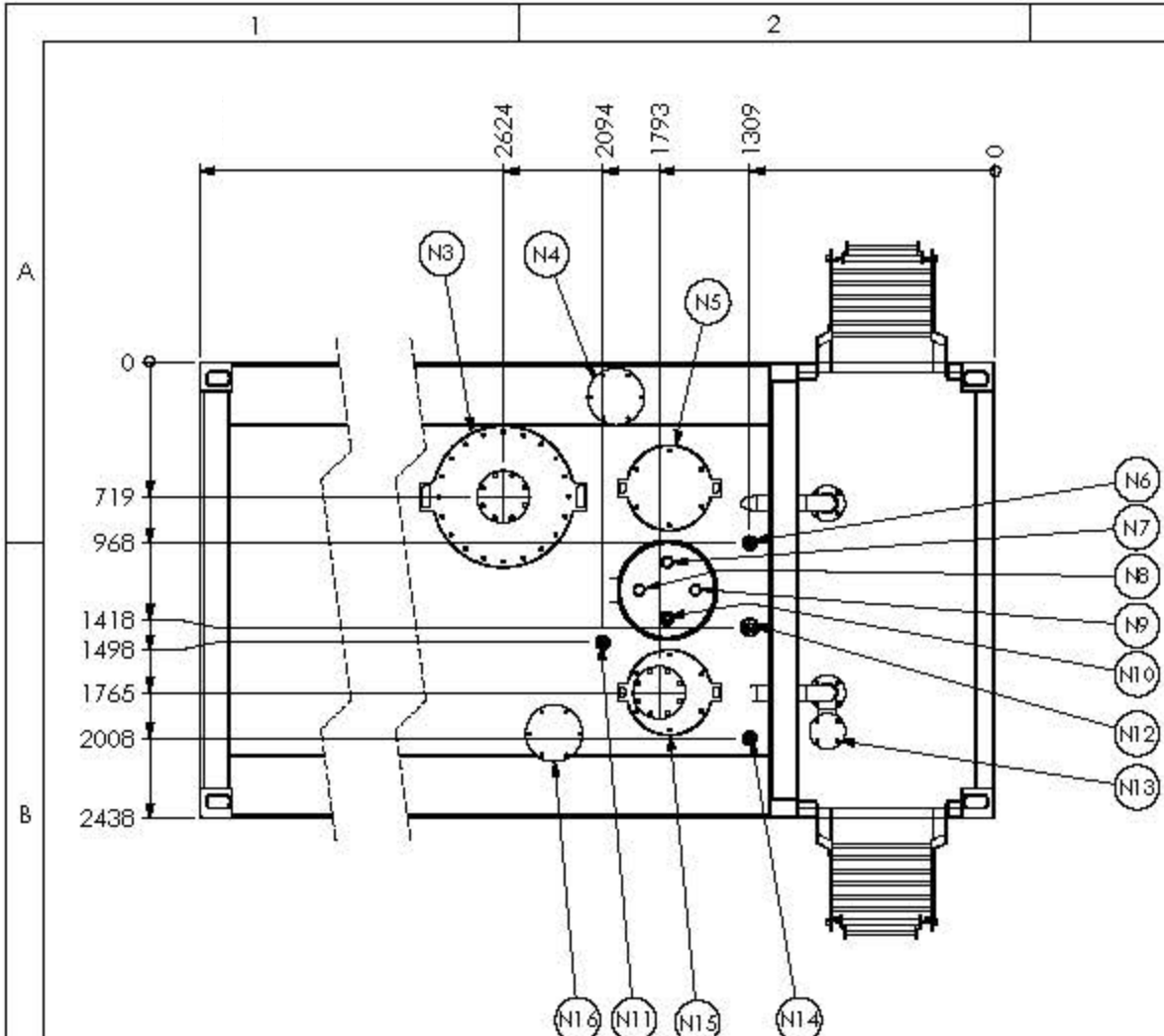
|          |            |
|----------|------------|
| Material |            |
| Weight   | 14566.69KG |





|   |  |           |        |                                      |                 |
|---|--|-----------|--------|--------------------------------------|-----------------|
|  |  |           |        | Project :<br>CON-69 Self Bunded Tank |                 |
|   |  |           |        | Part Name:<br>40' HC                 |                 |
|   |  |           |        | Part NO. :                           |                 |
| NO.   |  | Changes   | File   | SIGN                                 | DATE            |
| Design  |  | 2014/6/25 | Number |                                      | Material        |
| CHK' D  |  |           | Scale  |                                      | Weight          |
| CHK' D  |  |           |        |                                      | 14566.69KG      |
| APPV' D   |  |           |        |                                      | ⊕-▷ Revision 01 |
|   |  |           |        | SHEET 2                              | TOTAL SHEET 2   |

DO NOT SCALE - IF IN DOUBT ASK



| NOZZLE NO. | SIZE  | CONNECTION TYPE       | DESCRIPTION  |
|------------|-------|-----------------------|--|
| N1         | DN80  | ANSI CLASS 150 FLANGE | SUCTION C/W DN80 PIPE 110mm FROM FLOOR & ANTI-SYPHON VALVE                             |
| N2         | DN80  | ANSI CLASS 150 FLANGE | FILL PIPE C/W DN80 PIPE W/ ELBOW 44mm FROM FLOOR & OVERFILL PROTECTION VALVE AND SPOOL |
| N3         | 600   | MANWAY                | 600mm MANWAY C/W DN150 ANSI CLASS 150 FLANGE FOR SUB PUMP                              |
| N4         | DN200 | ANSI CLASS 150 FLANGE | INTERSTITIAL SPACE EMERGENCY VENT  |
| N5         | 350   | HATCH                 | 350mm INSPECTION HATCH   |
| N6         | DN50  | BSP-F x 50 LONG       | OVERFILL WARNING ALARM   |
| N7         | DN50  | BSP-M x 35 LONG       | PRIMARY TANK DIP C/W DN50 PIPE 25mm HIGH OPENING FROM DIP STRIKE                       |
| N8         | DN50  | BSP-M x 35 LONG       | INTERSTITIAL SPACE DIP C/W DN50 PIPE THROUGH INTERNAL FLOOR                            |
| N9         | DN50  | BSP-M x 35 LONG       | SUCTION SPEAR, DN50 PIPE 3mm FROM MAIN FLOOR INTO DISHED SUMP C/W THREADED CAP         |
| N10        | DN50  | BSP-F x 50 LONG       | SPARE  |
| N11        | DN50  | BSP-F x 50 LONG       | SPARE / GAUGE / VENT   |
| N12        | DN80  | BSP-F x 75 LONG       | SPARE / GAUGE / VENT   |
| N13        | DN80  | ANSI CLASS 150 FLANGE | SUCTION PRIMING PORT / SUBMERSIBLE PUMP CONNECTION                                     |
| N14        | DN50  | BSP-F x 50 LONG       | SPARE / GAUGE  |
| N15        | 350   | HATCH                 | 350mm INSPECTION HATCH C/W DN150 ANSI CLASS 150 FLANGE FOR SUB PUMP                    |
| N16        | DN200 | ANSI CLASS 150 FLANGE | PRIMARY TANK EMERGENCY VENT  |
| N17        | DN50  | BSP-F x 50 LONG       | SPARE (INTO PUMP BAY) / EXTERNAL ELECTRICALS   |
| N18        | DN50  | BSP-F x 50 LONG       | SPARE (INTO PUMP BAY) / EXTERNAL ELECTRICALS   |

BSP-F: BSP FEMALE THREAD  
BSP-M: BSP MALE THREAD

| Rev. No. | ZONE | Revised           | Date     | By | Checked |
|----------|------|-------------------|----------|----|---------|
| C        | -    | INFORMATION       | 02.11.15 | ND |         |
| B        | -    | INFORMATION       | 23.10.15 | ND |         |
| A        | -    | ISSUED FOR REVIEW | 20.10.15 | GS |         |

DO NOT SCALE  
DIMENSIONS ARE IN MILLIMETRES  
UNLESS OTHERWISE NOTED

3RD ANGLE PROJECTION



Client:  
Title:  
CON-69 69,000L Self Bunded Tank

|                  |          |            |  |
|------------------|----------|------------|--|
| Drawn            | KG       | Checked    |  |
| Date:            | 26.10.15 | Approved   |  |
| Drawing number:  |          |            |  |
| Sheet No: 2 of 2 |          | Scale: NTS |  |
| Rev:             | C        | A3         |  |